



WARNINGS

Before you begin assembling this simulator, please read all installation instructions and warnings thoroughly.

FAILURE TO COMPLY WITH OR OBSERVE ALL ASSEMBLY, SAFETY AND OPERATION INSTRUCTIONS AND WARNINGS REGARDING THE USE OF THIS PRODUCT MAY RESULT IN SERIOUS BODILY INJURY.

This simulator complies with the prescribed safety regulations. Inappropriate use may cause damage to persons and simulator.

USER MANUAL

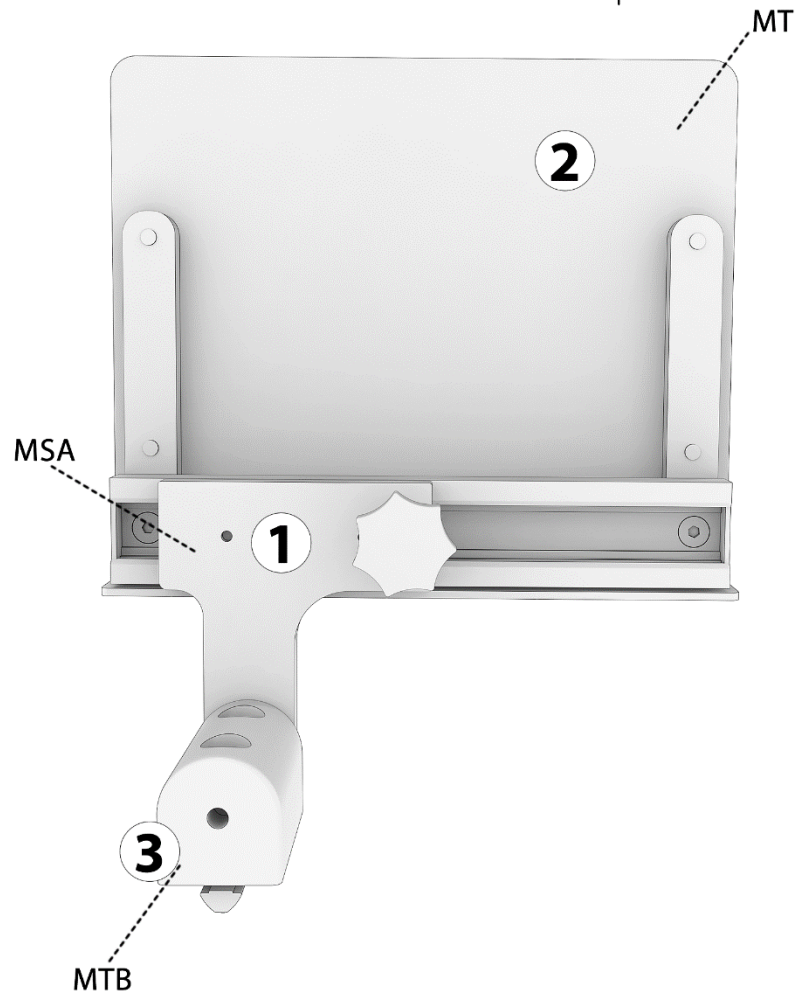
revision 01 / 06.2023

A1 Mouse tray Kit

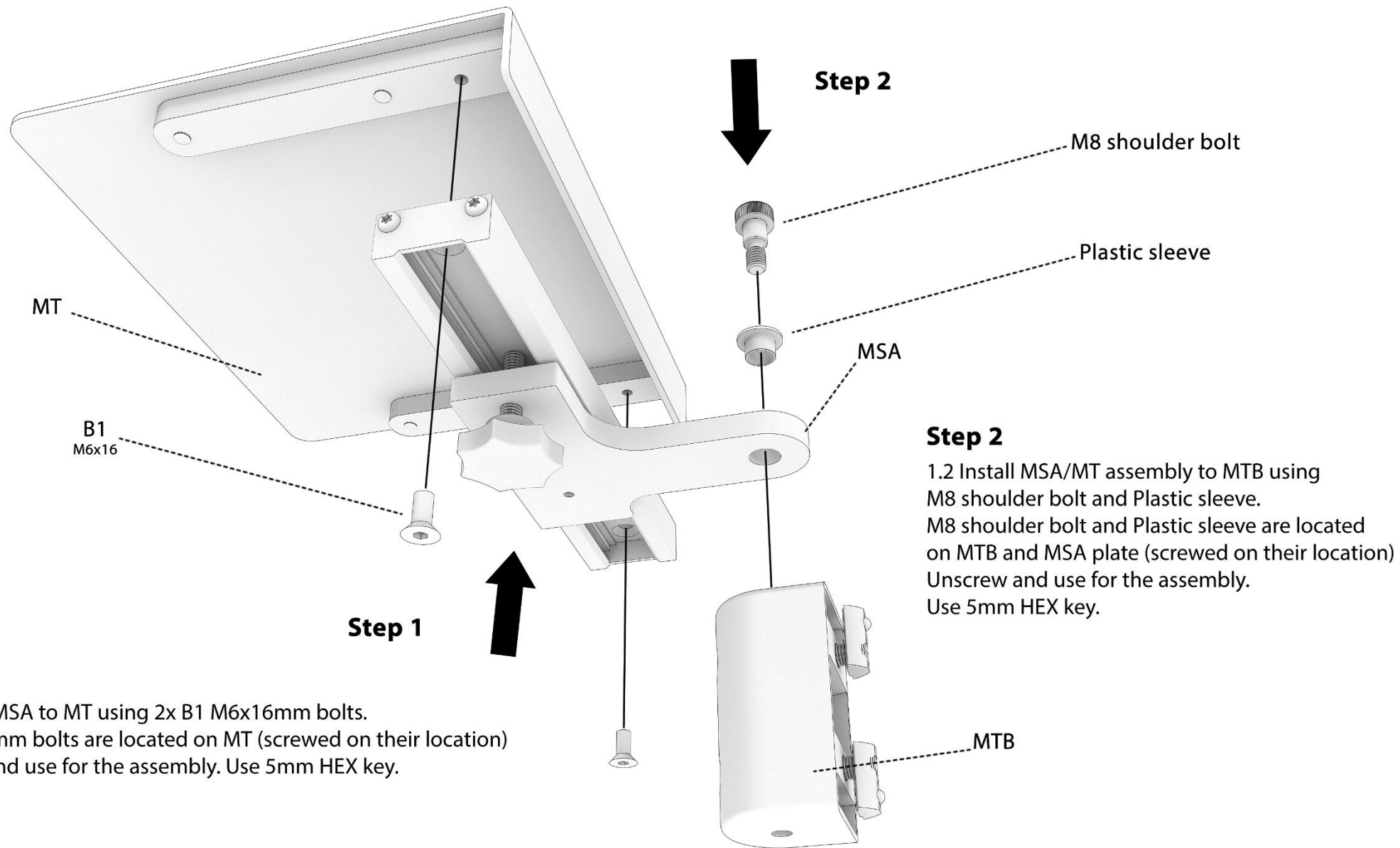
WHAT'S INCLUDED



- 1 A1 Mouse tray slider assembly (MSA)
- 2 A1 Mouse tray assembly (MT)
- 3 A1 Mouse tray mounting bracket (MTB)



1 MOUSE TRAY ASSEMBLY



Step 1

1.1 install MSA to MT using 2x B1 M6x16mm bolts.
B1 M6x16mm bolts are located on MT (screwed on their location)
Unscrew and use for the assembly. Use 5mm HEX key.

Step 2

Step 2

1.2 Install MSA/MT assembly to MTB using M8 shoulder bolt and Plastic sleeve.
M8 shoulder bolt and Plastic sleeve are located on MTB and MSA plate (screwed on their location)
Unscrew and use for the assembly.
Use 5mm HEX key.

Step 3

1.3 Install A1 Mouse tray Kit assembly to any RSEAT A1 chassis using 2 x B8 M8 x35mm bolts and M8 Slot nuts. B8 M8x35mm bolts and M8 slot nuts are located on KM (screwed on their location) Unscrew and use for the assembly. Use 5mm HEX key.

Install Mouse tray Kit on desired location (can be mounted anywhere comfortable to reach and not interfere with other accessories). Use Lock knob to fix in position. Tight M8 Shoulder bolts SB to lock and not allow the tray to swivel. Use 5mm Hex Key.

