



## WARNINGS

Before you begin assembling this simulator, please read all installation instructions and warnings thoroughly.

**FAILURE TO COMPLY WITH OR OBSERVE ALL ASSEMBLY, SAFETY AND OPERATION INSTRUCTIONS AND WARNINGS REGARDING THE USE OF THIS PRODUCT MAY RESULT IN SERIOUS BODILY INJURY.**

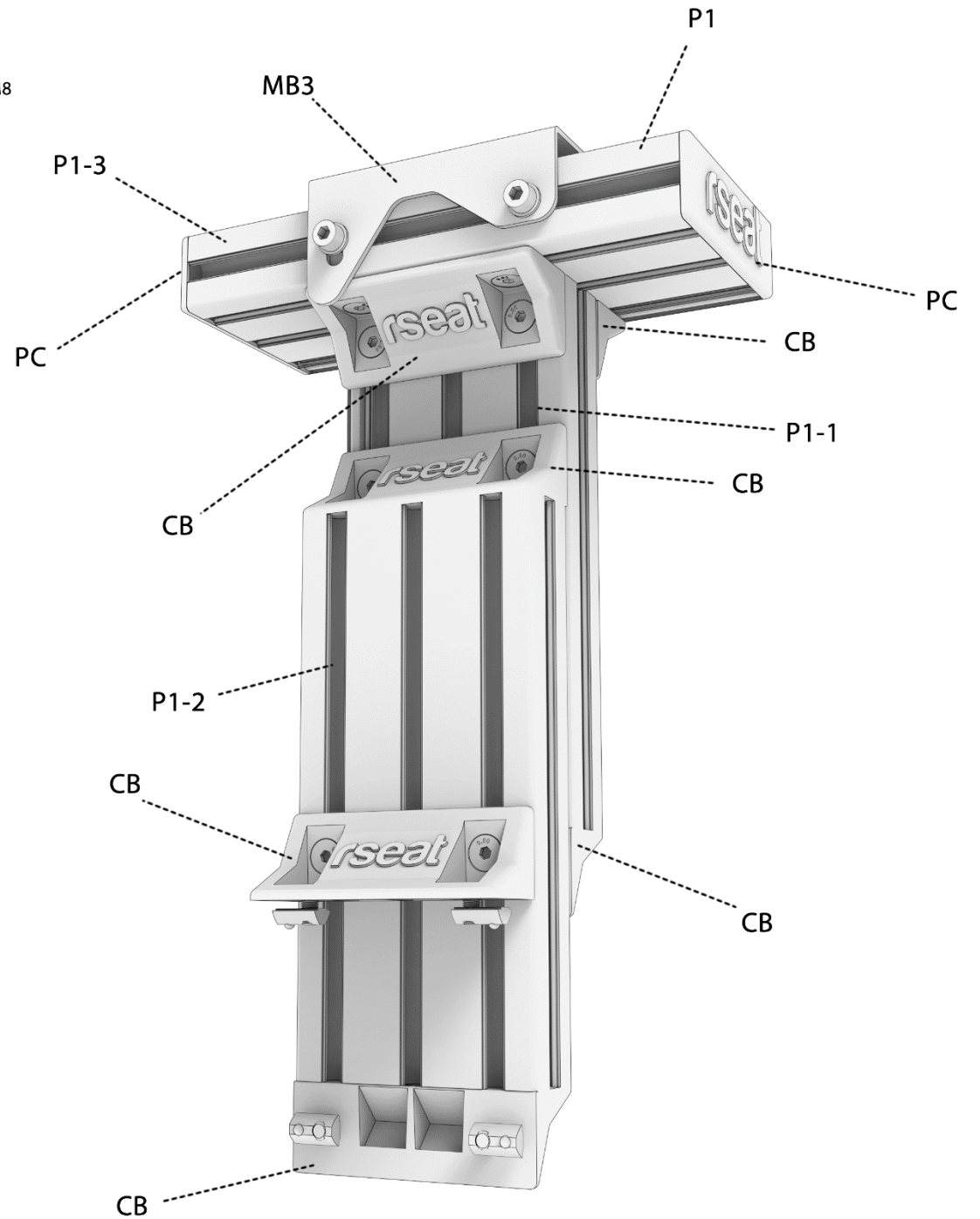
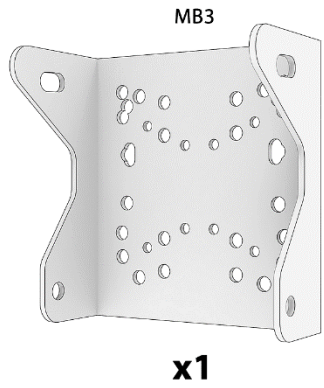
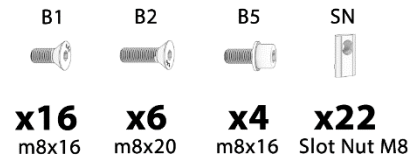
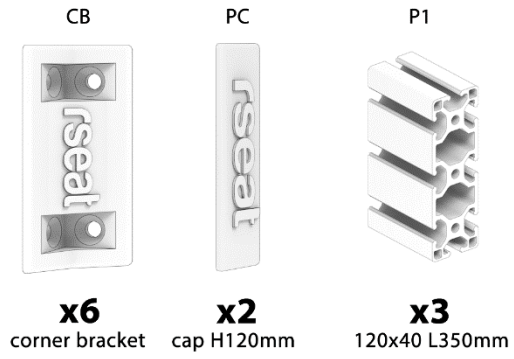
This simulator complies with the prescribed safety regulations. Inappropriate use may cause damage to persons and simulator.

# USER MANUAL

revision 01 / 06.2023

## A1 Shifter Mount Kit

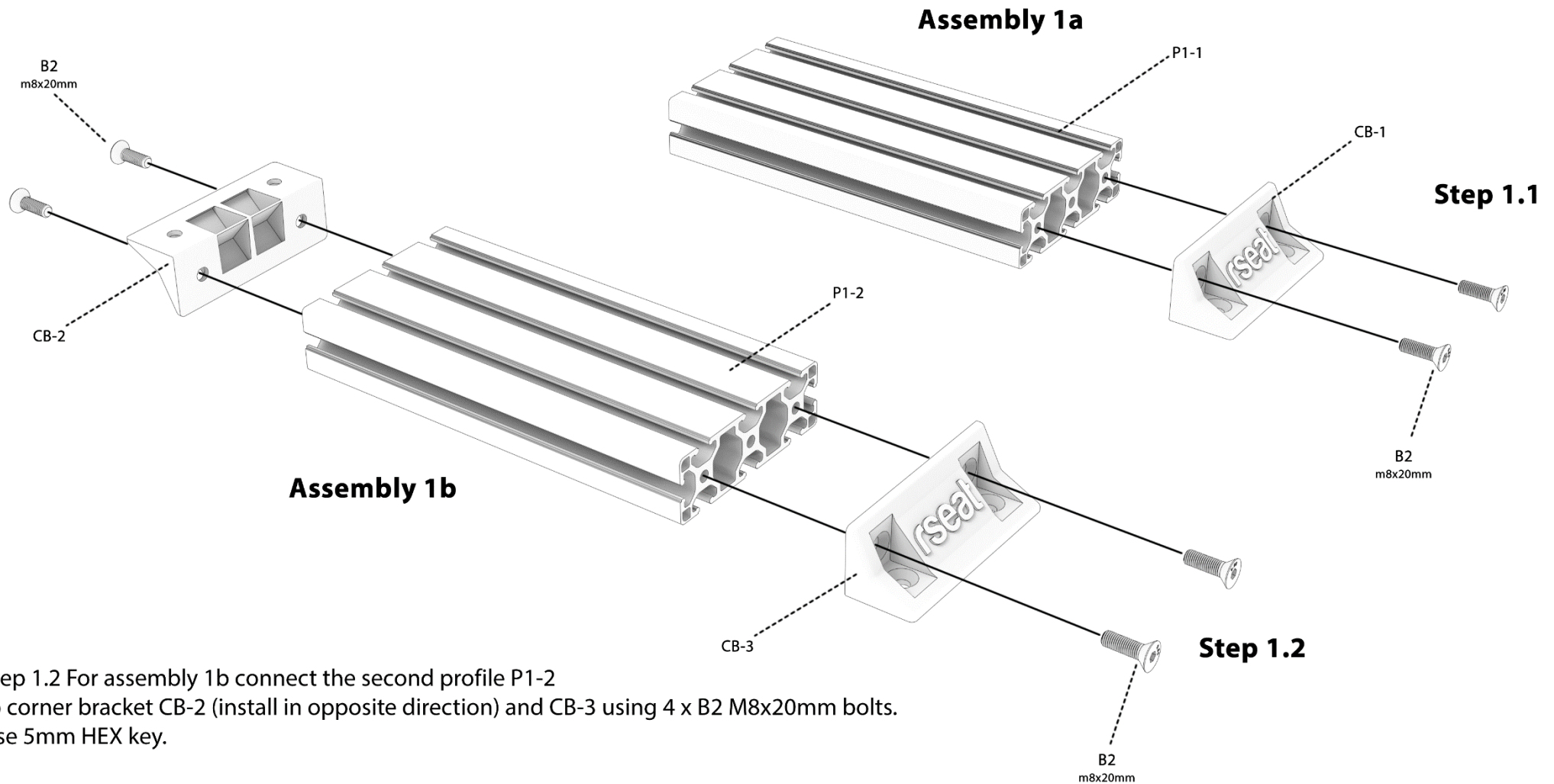
# SHIFTER MOUNT KIT ASSEMBLY



## Step 1

Two separate assemblies. Assembly 1a and Assembly 1b as step 1.

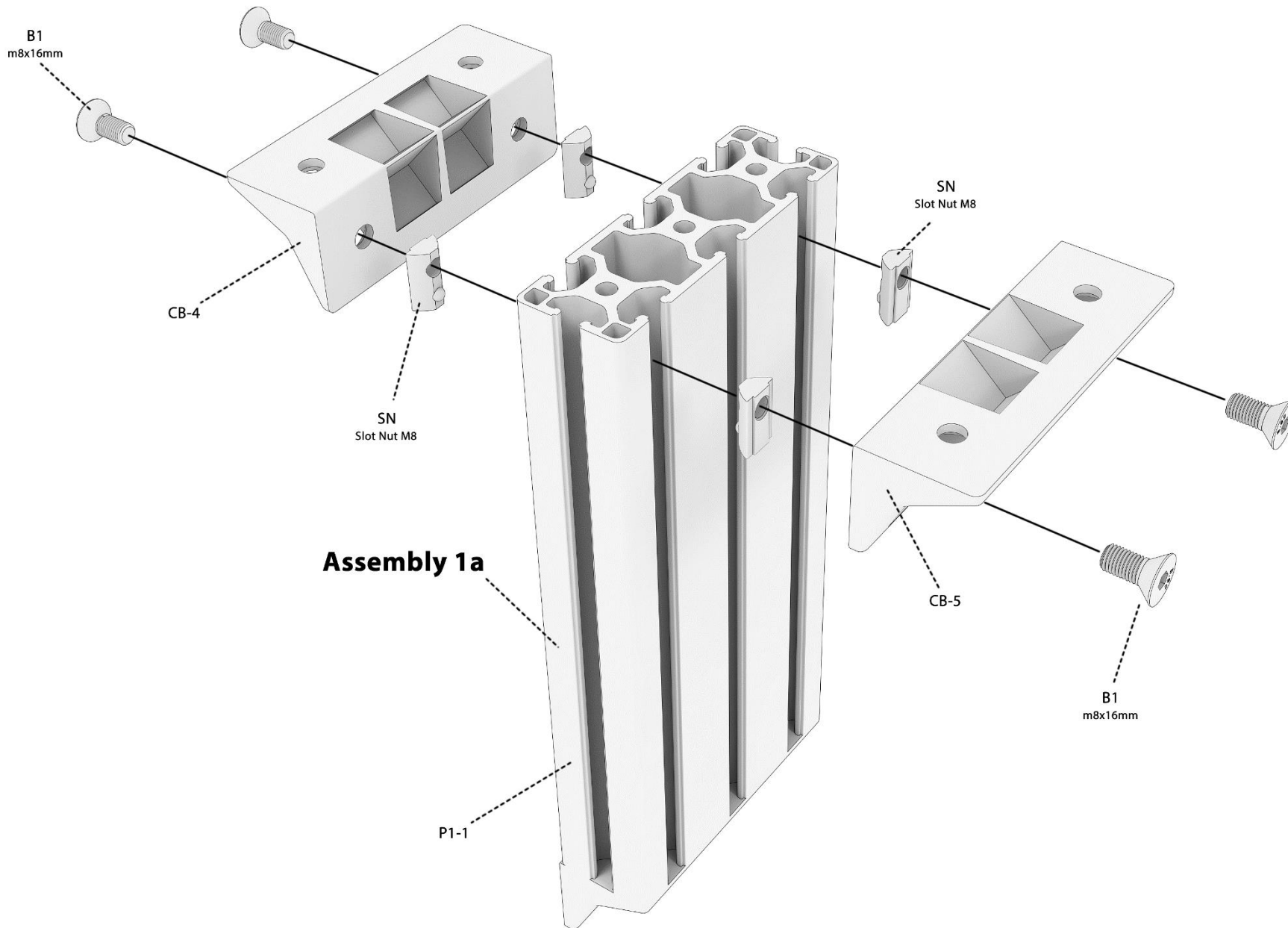
Step 1.1 Assembly 1a - Connect P1-1 to corner bracket CB-1 using 2 x B2 M8x20mm bolts.  
Use 5mm HEX key.



Step 1.2 For assembly 1b connect the second profile P1-2 to corner bracket CB-2 (install in opposite direction) and CB-3 using 4 x B2 M8x20mm bolts.  
Use 5mm HEX key.

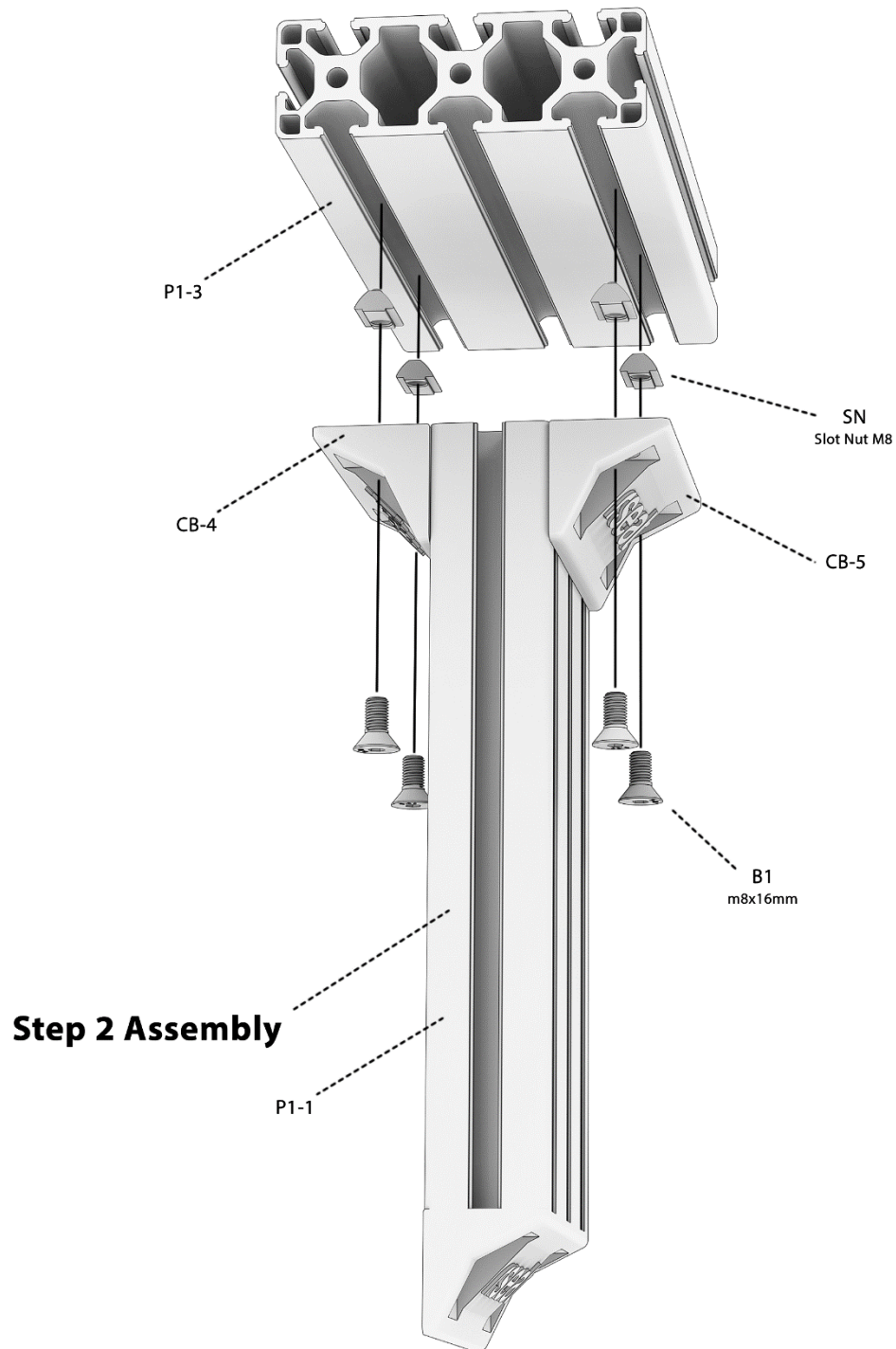
## Step 2

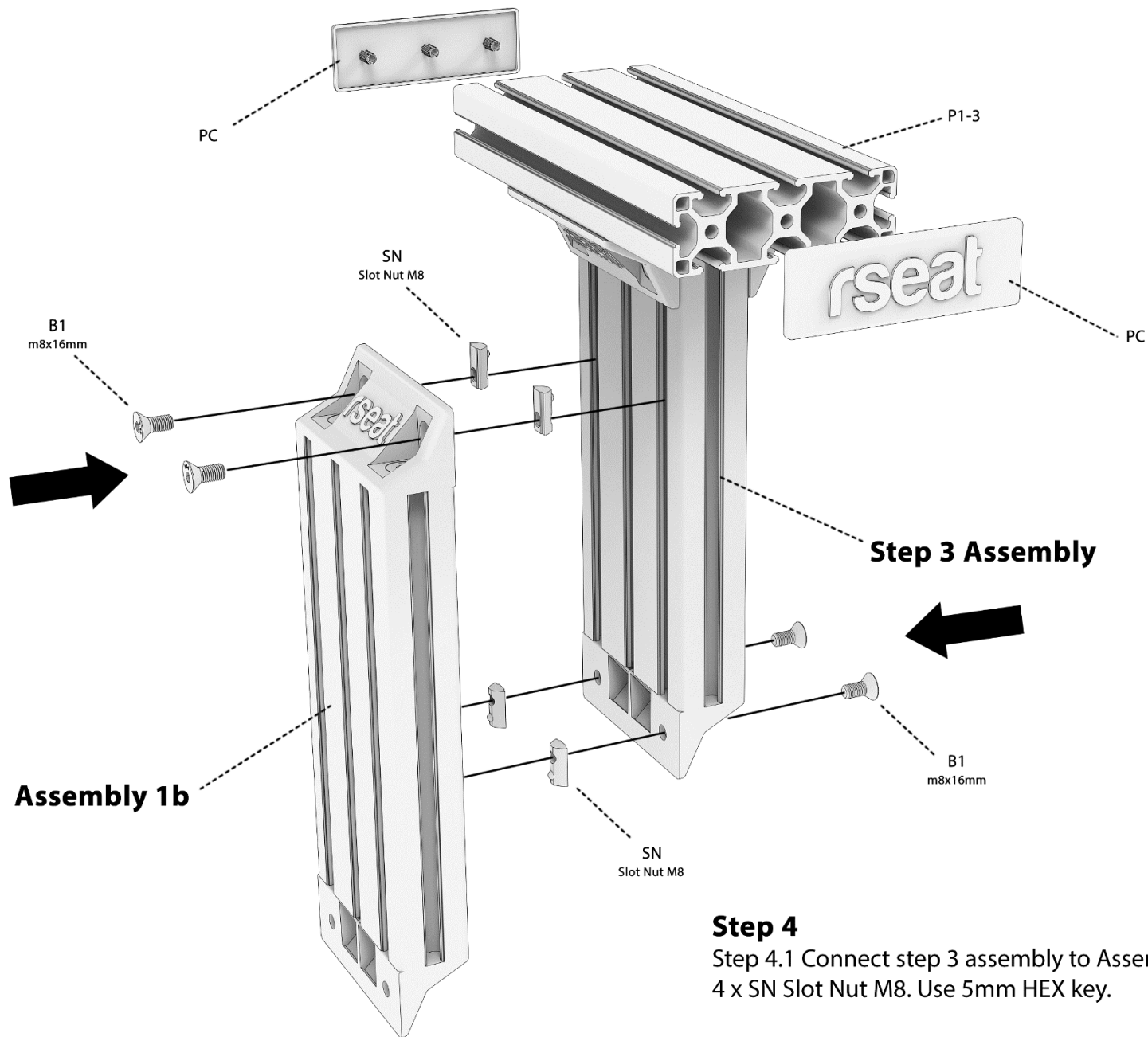
Step 1.1 Connect Assembly 1a to Connect to corner bracket CB-4 and CB-5 using 4 x B1 M8x16mm bolts and 4 x SN Slot Nut M8. Use 5mm HEX key.



## Step 3

Step 1.1 Connect step 2 assembly to profile P1-3 using 4 x B1 M8x16mm bolts and 4 x SN Slot Nut M8. Use 5mm HEX key.





## Step 4

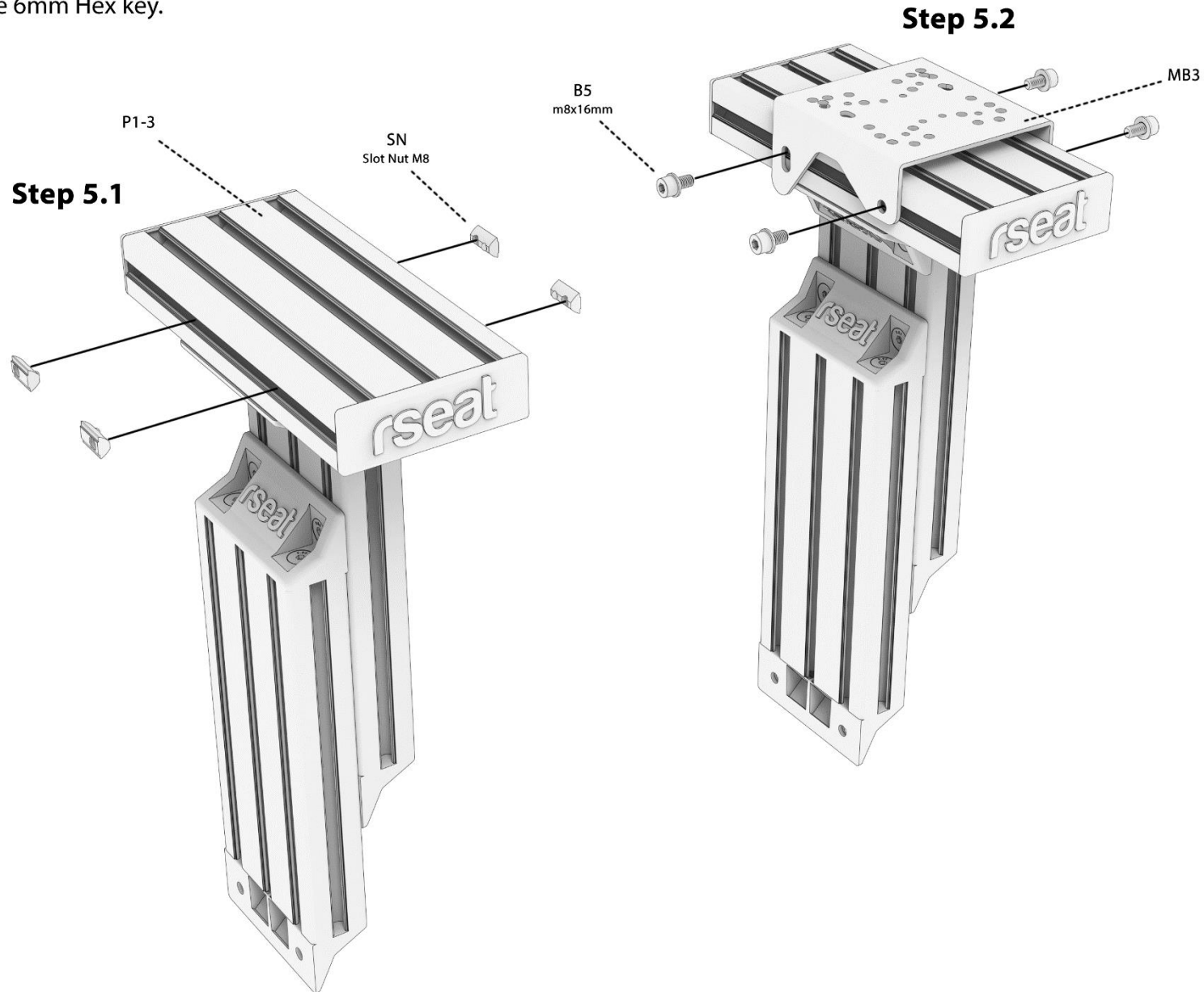
Step 4.1 Connect step 3 assembly to Assembly 1b using 4 x B1 M8x16mm bolts and 4 x SN Slot Nut M8. Use 5mm HEX key.

Step 4.2 Install end caps on P1-3 profile. Press by hand.

## Step 5

Step 5.1 Roll in 4 x SN Slot Nut M8 in P1-3 profile (two from each side)

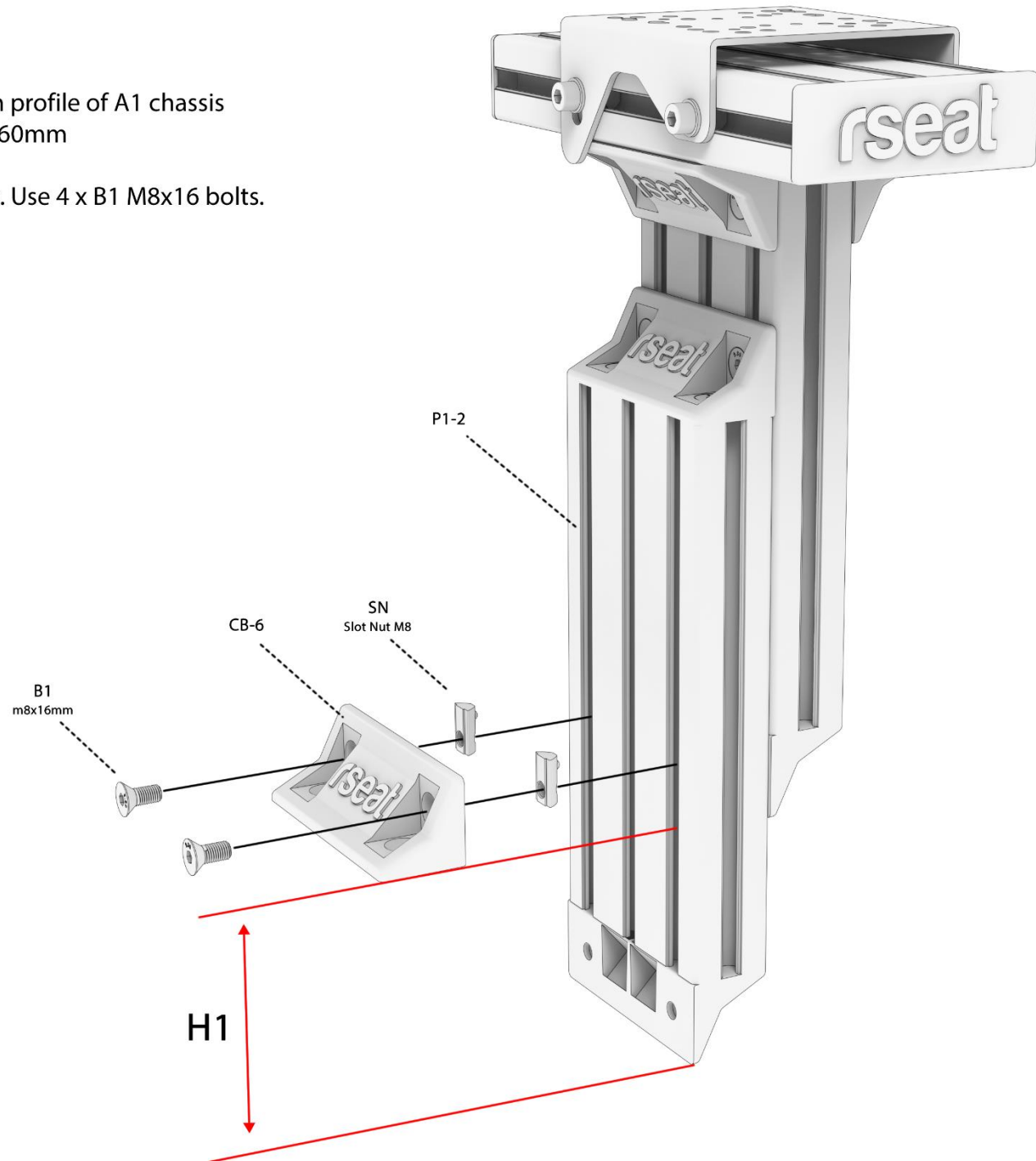
Step 5.2 Install Mounting bracket MB3 on P1-3 profile. Use 4 x B5 M8x16 bolts with washer. Use 6mm Hex key.



## Step 6

Step 6.1 H1 height equal the height of the main profile of A1 chassis  
For A1-80 - 80mm, A1-120 - 120mm, A1-160 - 160mm

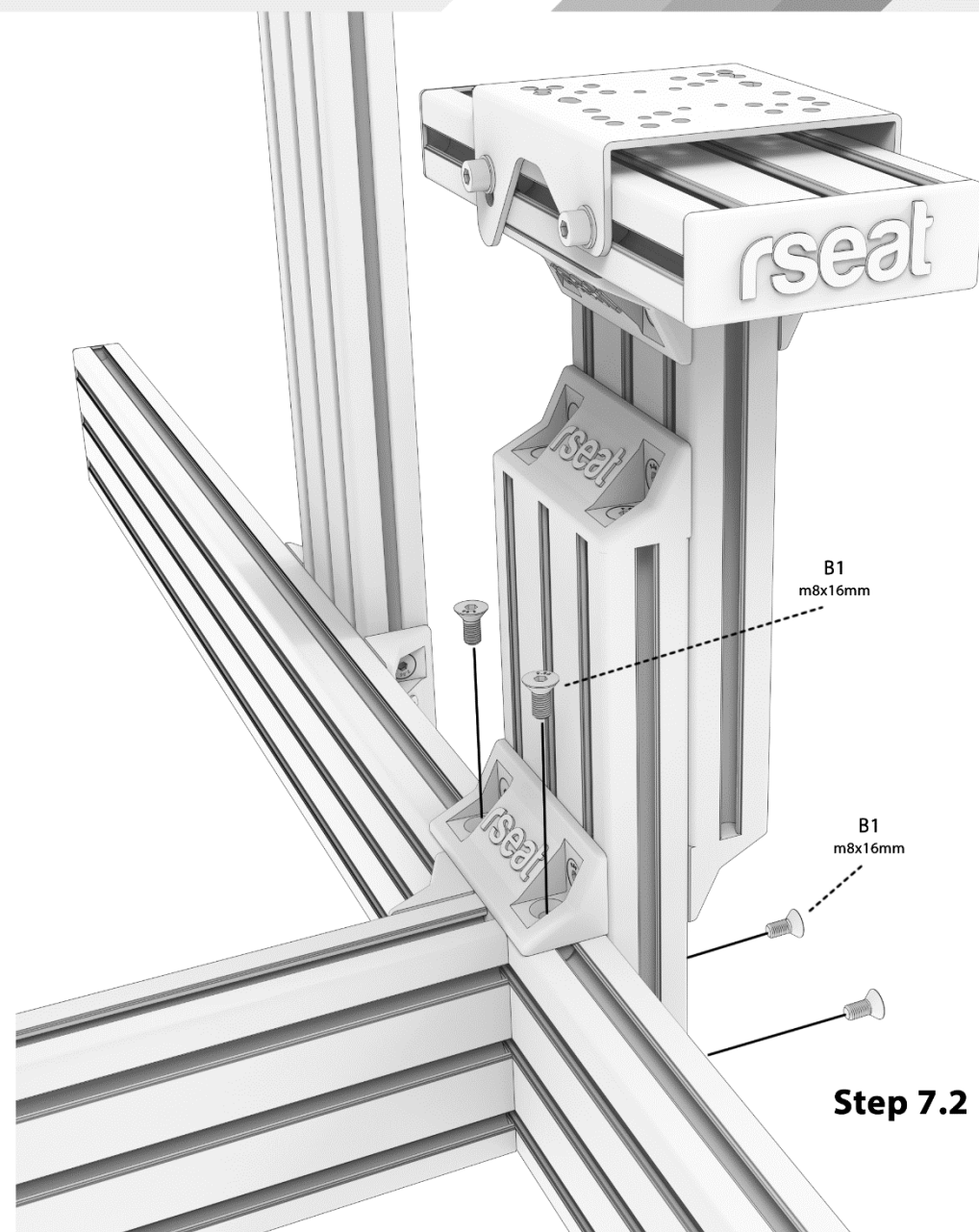
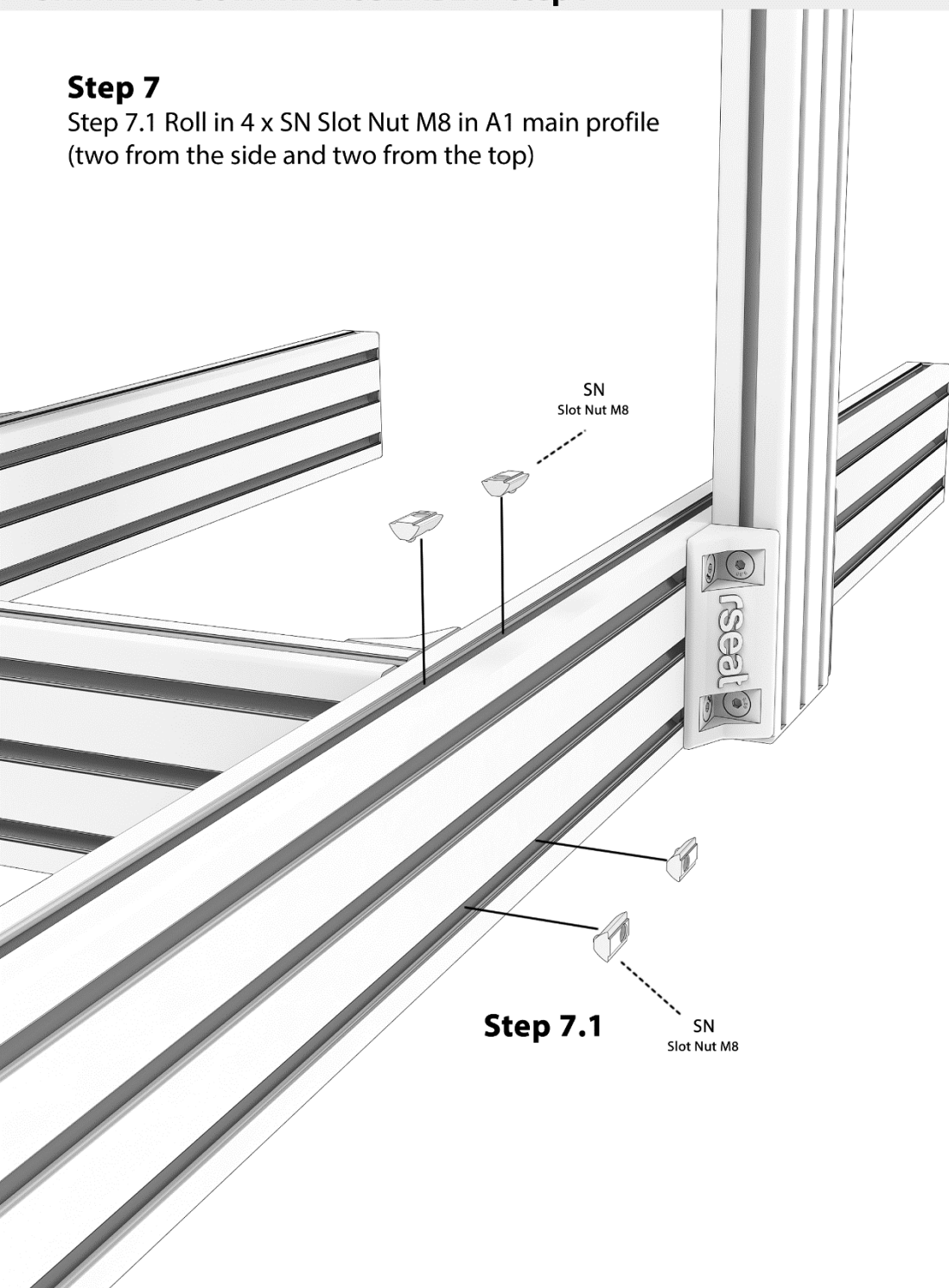
Step 6.2 Install Corner bracket CB-6 P1-2 profile. Use 4 x B1 M8x16 bolts.  
Use 5mm Hex key.





## Step 7

Step 7.1 Roll in 4 x SN Slot Nut M8 in A1 main profile (two from the side and two from the top)



Step 7.2 Fix shifter in position using 4 x B1 M8x16mm bolts and 4 x SN slot Nut m8 (adjust to your specifications, including up-down, forward-backwards, tilt the MB3 bracket)