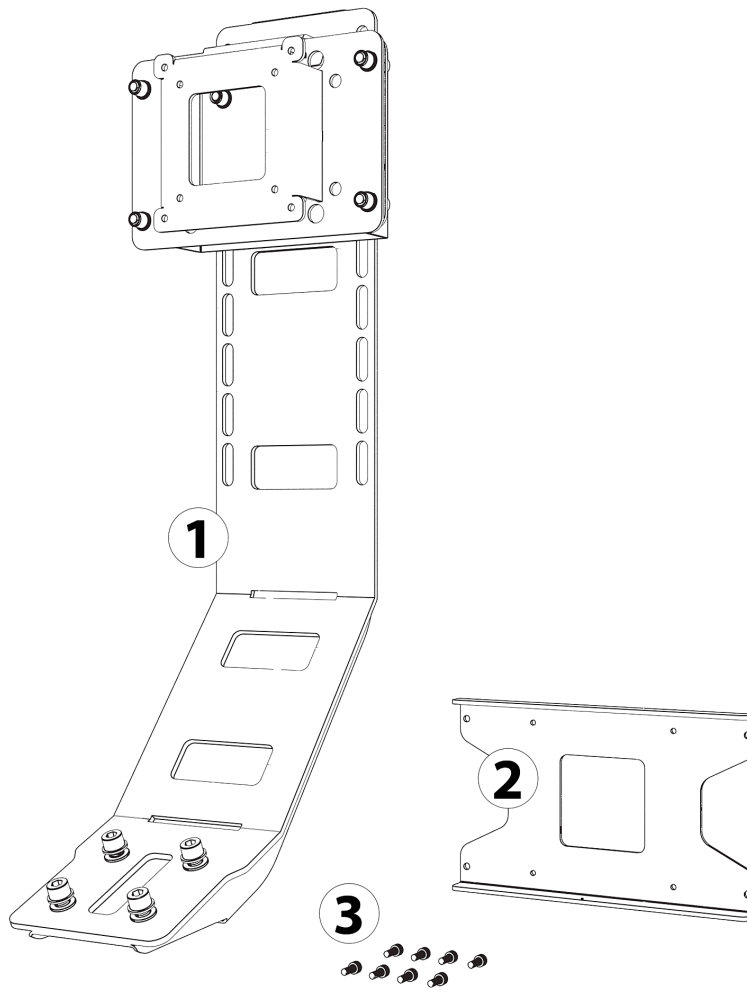


RSEAT UPGRADES

ASSEMBLY INSTRUCTIONS

Language: **EN**

RSEAT Chassis Monitor stand UPGRADE KIT RSEAT B1,P1,C1 chassis
Thank you for choosing RSEAT.



⚠ WARNINGS

Before you begin assembling this simulator kit, please read all installation instructions and warnings thoroughly.

FAILURE TO COMPLY WITH OR OBSERVE ALL ASSEMBLY, SAFETY AND OPERATION INSTRUCTIONS AND WARNINGS REGARDING THE USE OF THIS PRODUCT MAY RESULT IN SERIOUS BODILY INJURY.

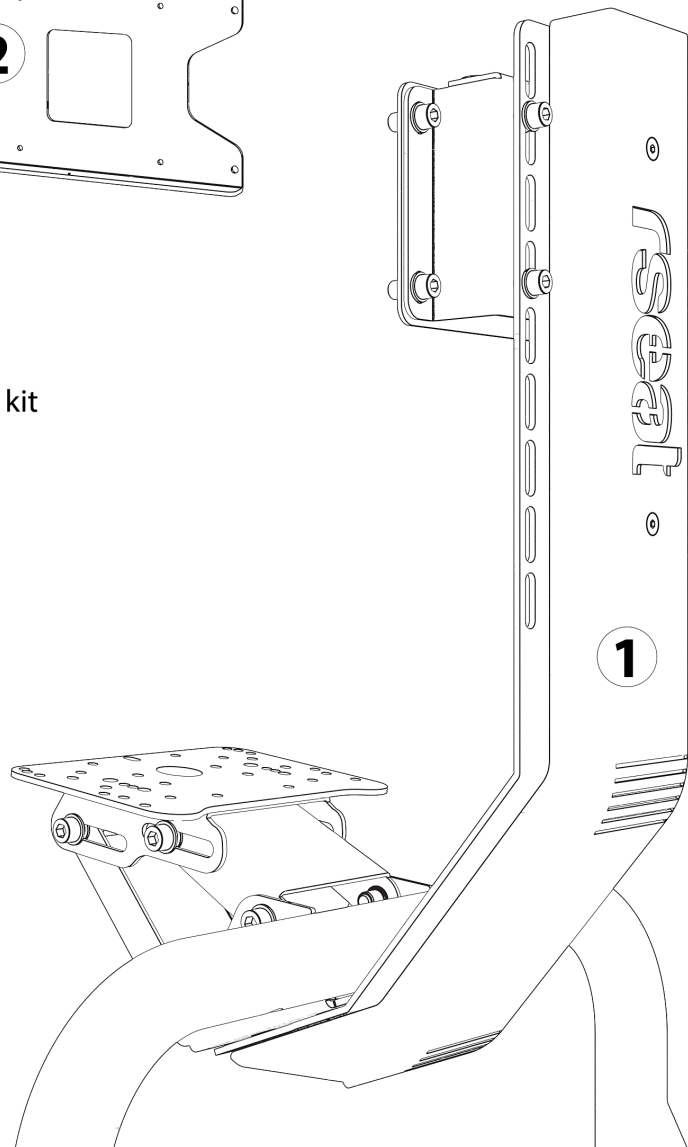
This simulator kit complies with the prescribed safety regulations. Inappropriate use may cause damage to persons and simulator.

What's Included

- ① RSEAT B1, P1, C1 Chassis Monitor stand upgrade kit
- ② VESA 200x100 adapter
- ③ Hardware: 8xM4 screrws

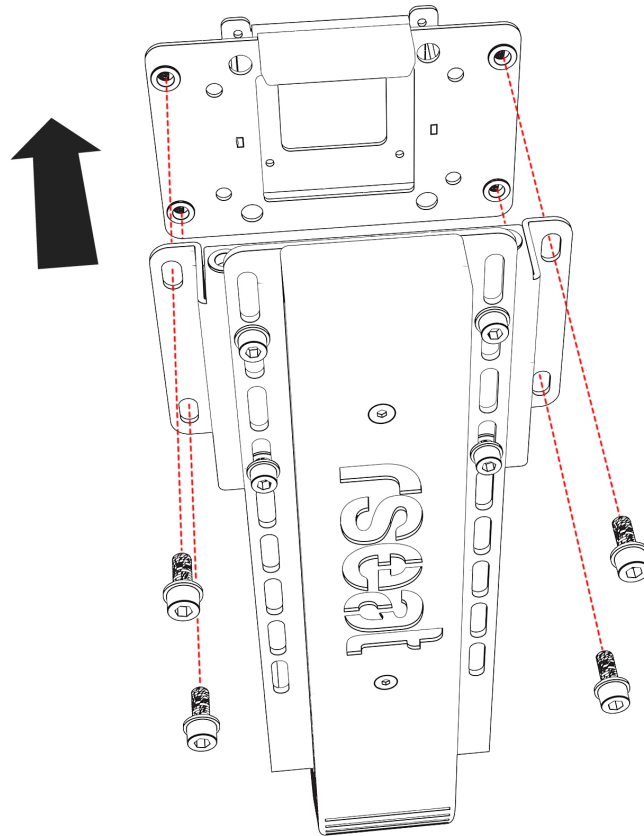
RSEAT B1,P1, C1 Chassis monitor stand upgrade kit come in single box with dimensions: 68 x 25 x 25cm (26.4 x 9.8 x 9.8 inch)

BOX 1 of 1

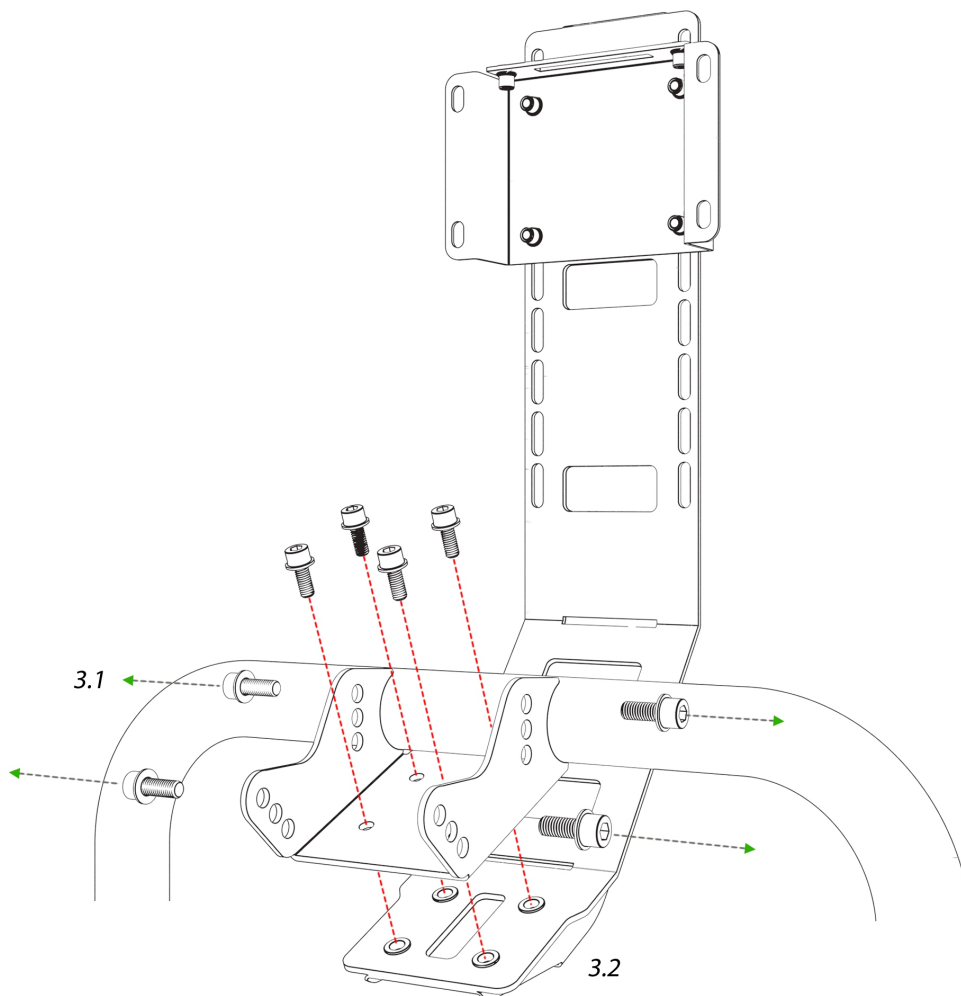


1 Remove all the transport packaging including carton protection and Stretch wrap film.

2 Remove the VESA mount from the chassis monitor stand . Use 6mm HEX Key from your B1, P1, C1 assembly tools.



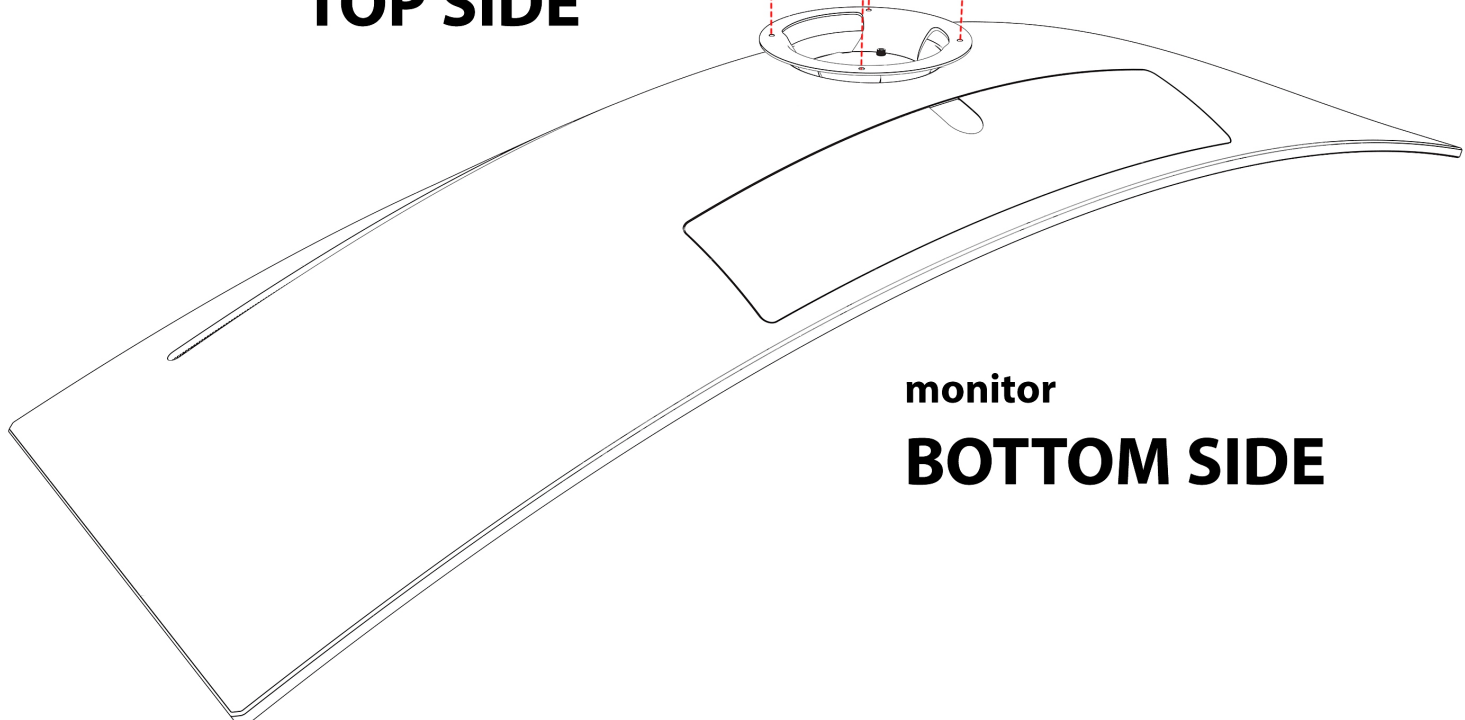
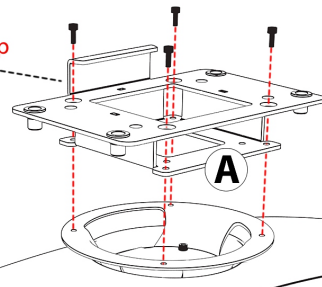
3 3.1 - Remove B1,P1, C1 wheel mounting assembly (4xM10 screws). Use 8mm Hex key from your B1, P1, C1 assembly tools
3.2 - Install the Chassis Monitor Stand Upgrade kit. Use 4xM8x20mm screws and 6mm Hex Key from your B1, P1, C1 assembly tools
3.3 - Reinstall the B1, P1,C1 wheel mounting assembly (4xM10 screws)



4 Install VESA support (A) to monitor. Make sure you use the required VESA adapter plate (100x100 or 200x100)
For VESA 100x100 use only VESA support (A), for 200x100, install VESA adapter 200x100 (3) to (A) using 4xM4 screws

IMPORTANT!
This side to monitor top

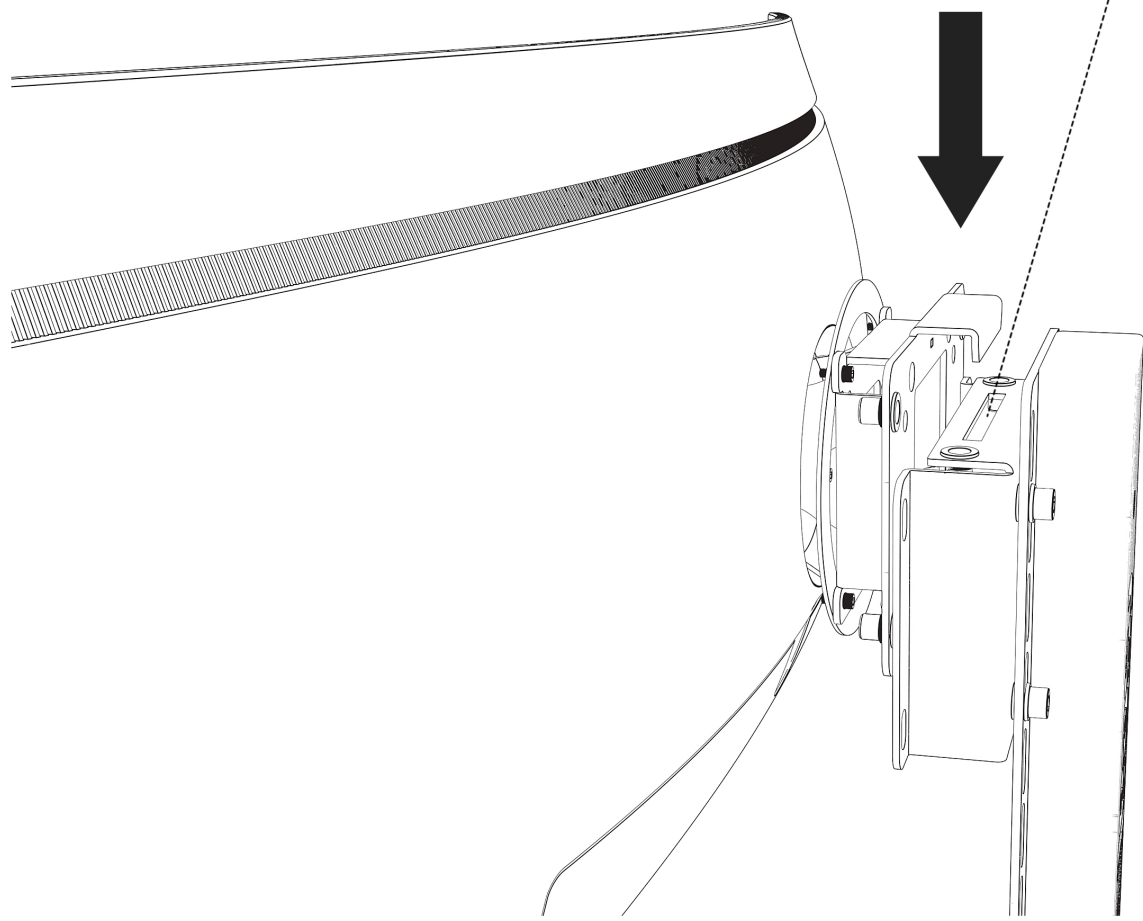
monitor
TOP SIDE



monitor
BOTTOM SIDE

5 Put the Monitor with VESA support installed on Chassis monitor stand.

IMPORTANT! Make sure the VESA support is secured in the slot



6

Fix the VESA support to the Chassis monitor stand with 4xM8 Screws . Use 6mm HEX Key.

