

# RSEAT UPGRADES

## ASSEMBLY INSTRUCTIONS

Language: **EN**

### KEYBOARD/MOUSE TRAY UPGRADE KIT RSEAT B1,P1,C1 chassis

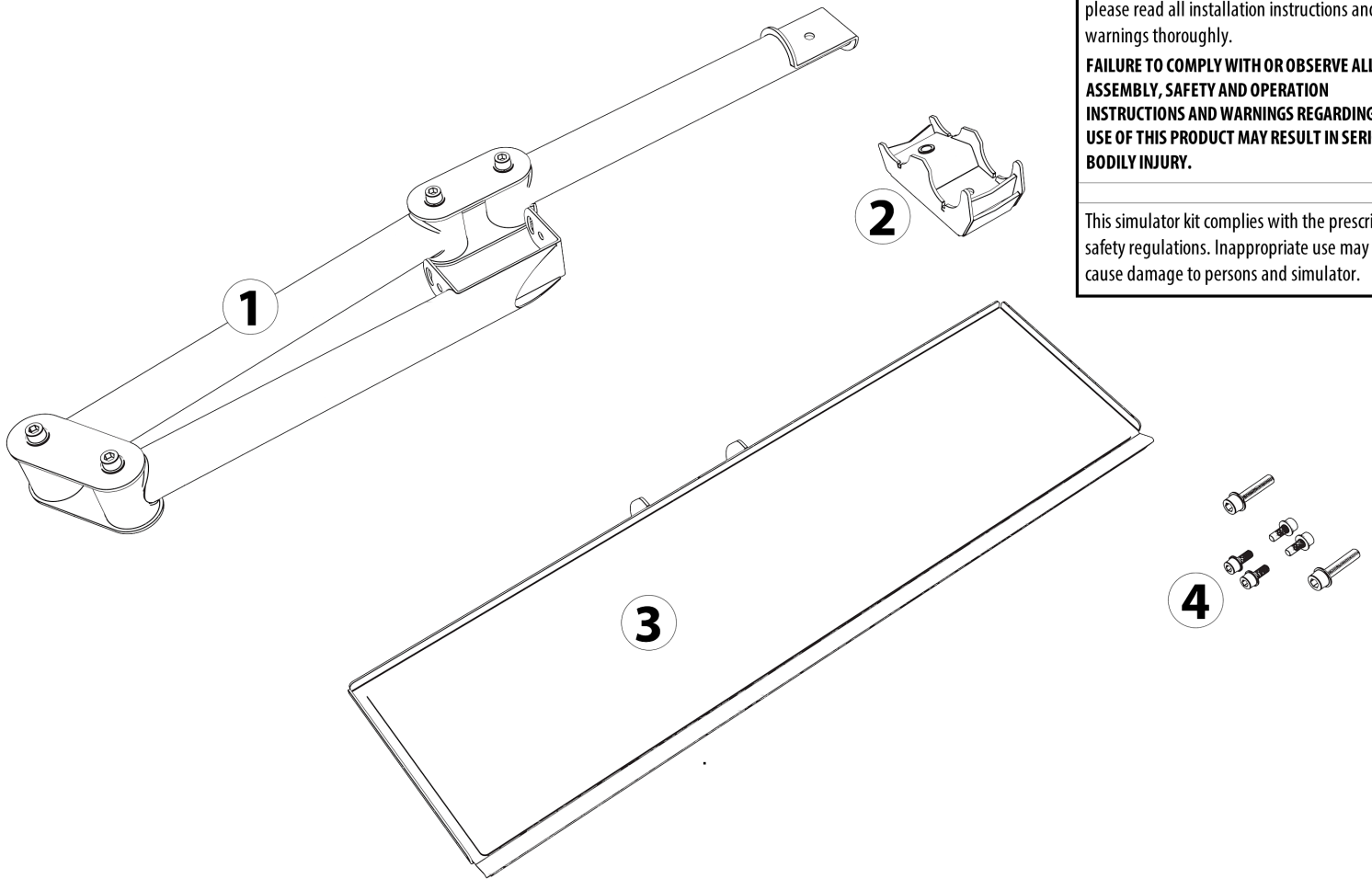
Thank you for choosing RSEAT.

#### **⚠** WARNINGS

Before you begin assembling this simulator kit, please read all installation instructions and warnings thoroughly.

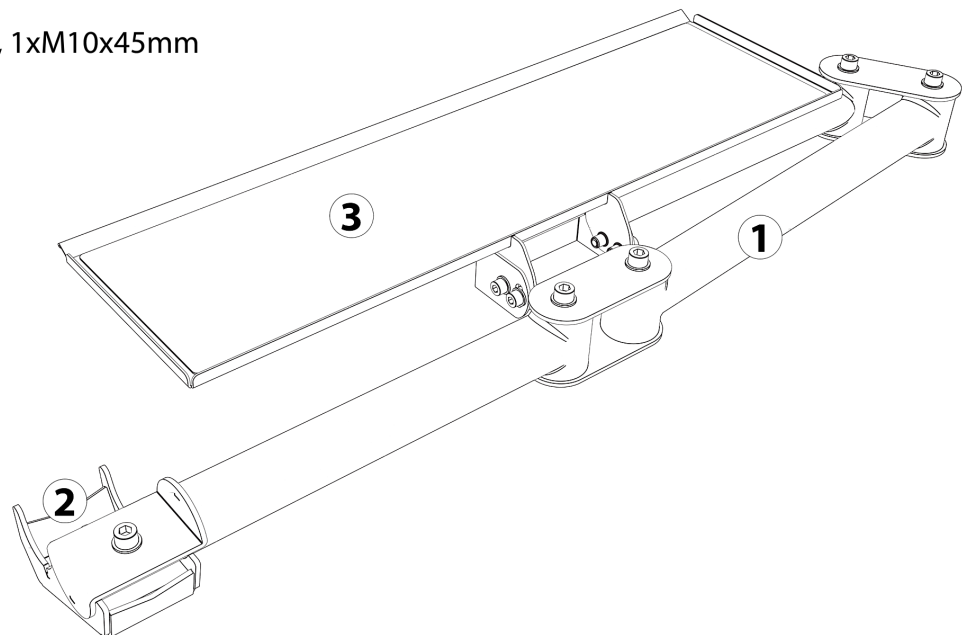
**FAILURE TO COMPLY WITH OR OBSERVE ALL ASSEMBLY, SAFETY AND OPERATION INSTRUCTIONS AND WARNINGS REGARDING THE USE OF THIS PRODUCT MAY RESULT IN SERIOUS BODILY INJURY.**

This simulator kit complies with the prescribed safety regulations. Inappropriate use may cause damage to persons and simulator.



#### What's Included

- ① RSEAT B1, P1, C1 Keyboard/Mouse tray adjustable arm
- ② Keyboard/Mouse tray Chassis mounting bracket
- ③ Keyboard/Mouse tray
- ④ Hardware: 4xM8x20mm, 1xM8x45mm, 1xM10x45mm

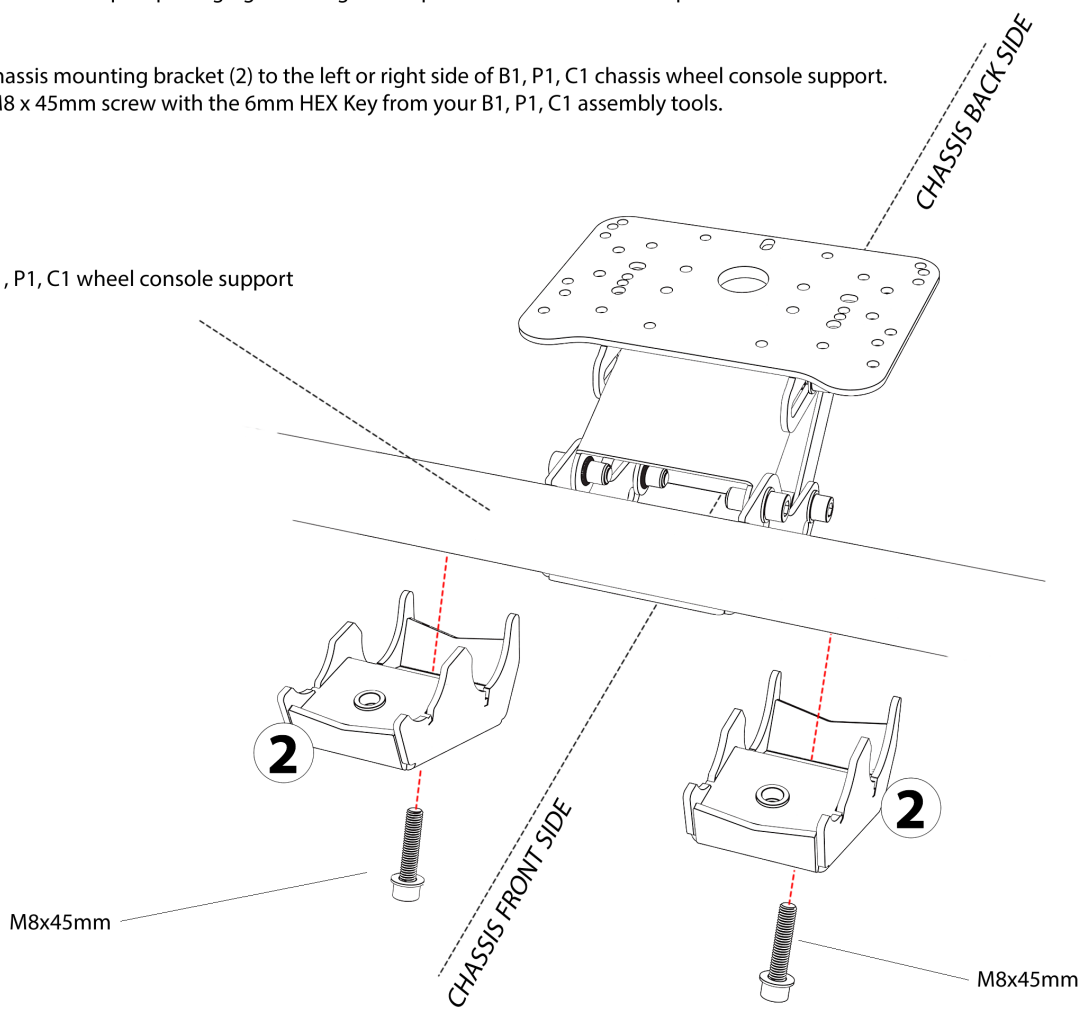


RSEAT B1,P1, C1 Keyboard/Mouse tray upgrade kit come in single box with dimensions: 75 x 25.4 x 14cm (29.5 x 10 x 5.5 inch)

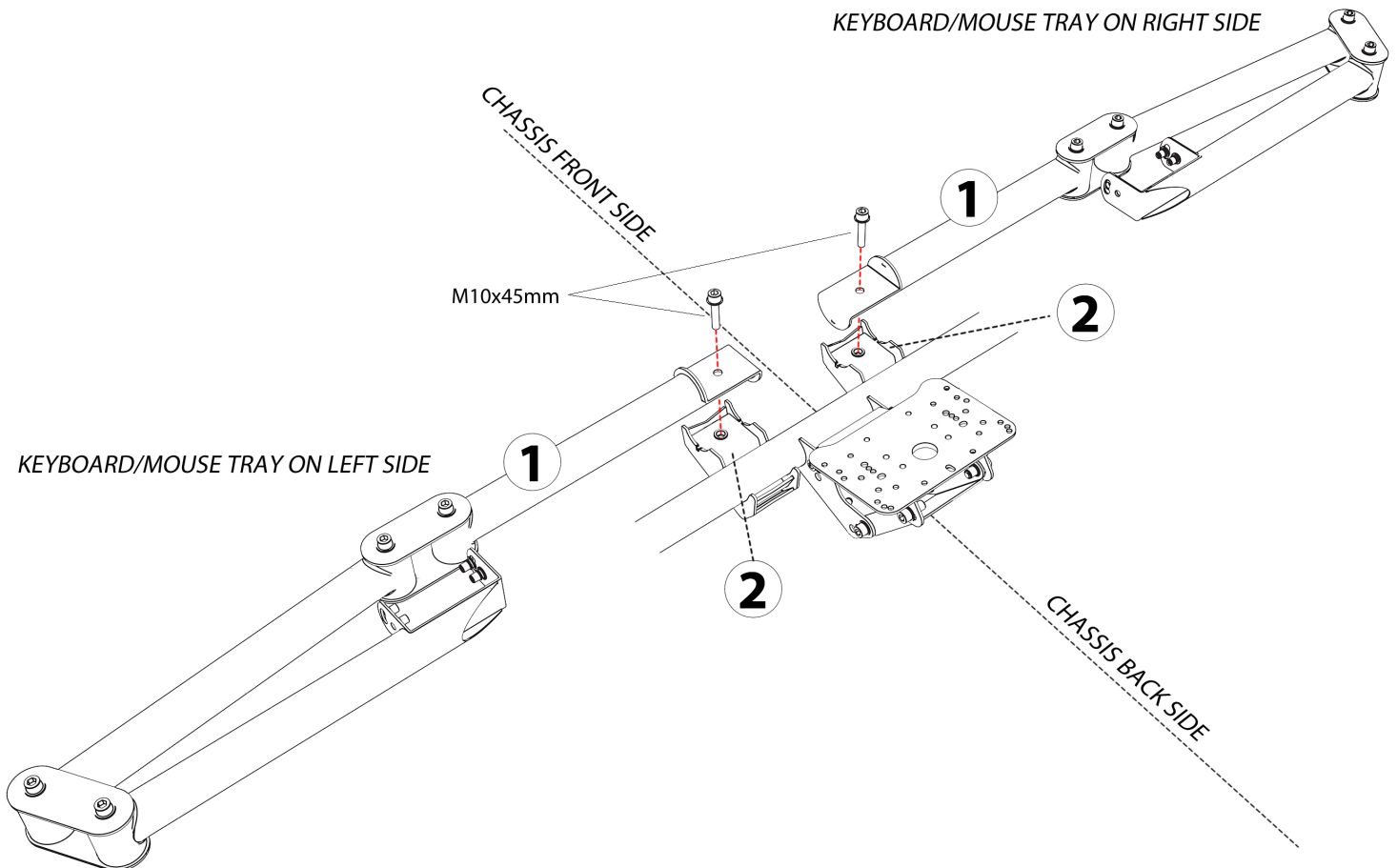
**BOX 1 of 1**

- 1 Remove all the transport packaging including carton protection and Stretch wrap film.
- 2 Install Chassis mounting bracket (2) to the left or right side of B1, P1, C1 chassis wheel console support. Use 1x M8 x 45mm screw with the 6mm HEX Key from your B1, P1, C1 assembly tools.

RSEAT B1, P1, C1 wheel console support



- 3 Install the adjustable arm (1) to mounting bracket (2) Use 1x M10 x 45mm screw with 8mm HEX Key (provided with your B1, P1, C1 assembly tools) **IMPORTANT! Make sure the mounting bracket(2) is on the same side where you want your keyboard and mouse tray installed.**



- 3** Install Keyboard/Mouse tray (3) to adjustable arm (1)  
Use 4x M8 x 20mm screw with 6mm HEX Key  
Adjust the tray tilt if needed. Then tight the four M8 screws with the 6mm Hex Key

