

# RSEAT UPGRADES

## ASSEMBLY INSTRUCTIONS

Language: **EN**

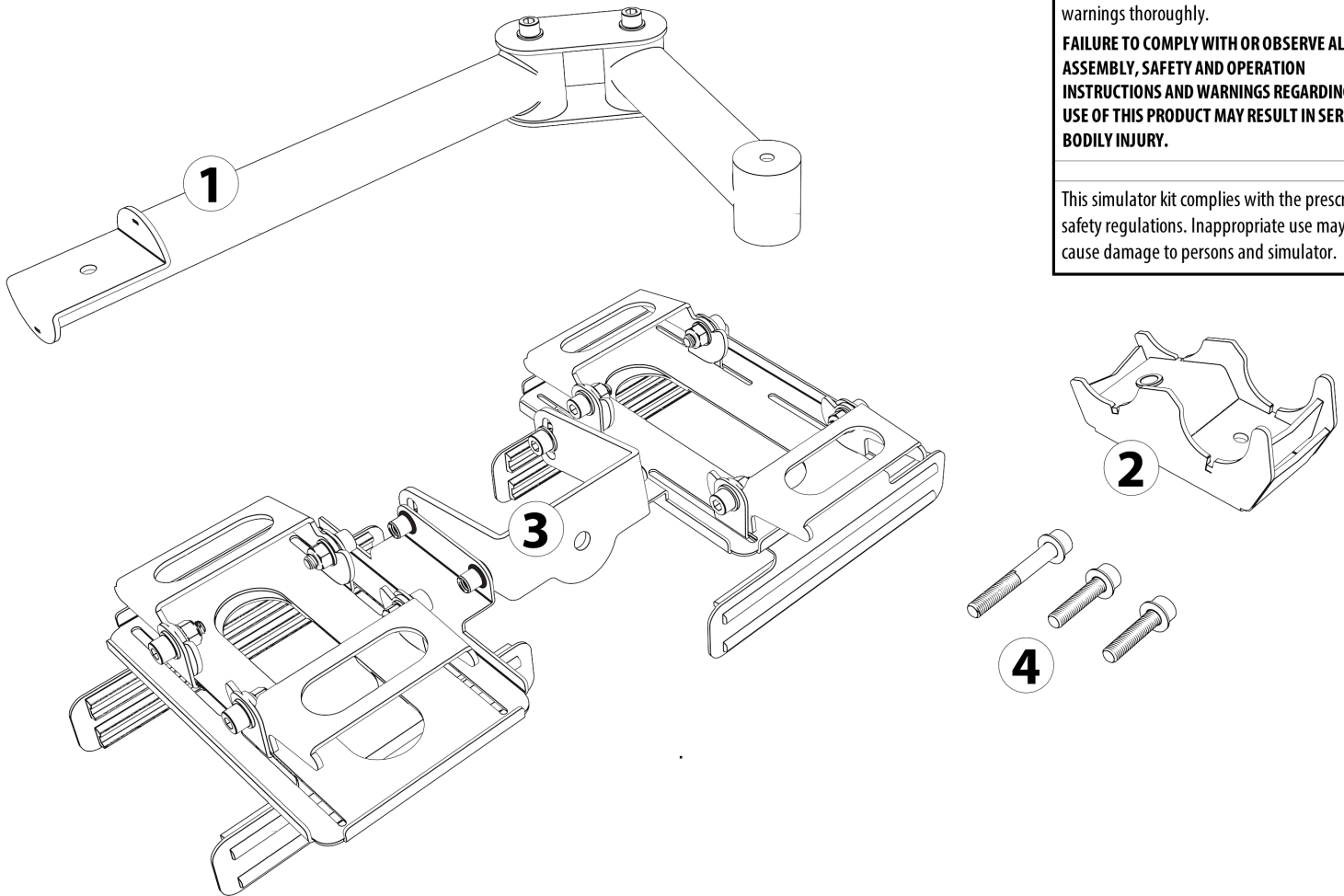
Tablet/Buttonbox TRAY UPGRADE KIT RSEAT B1,P1,C1 chassis  
Thank you for choosing RSEAT.

### **⚠** WARNINGS

Before you begin assembling this simulator kit, please read all installation instructions and warnings thoroughly.

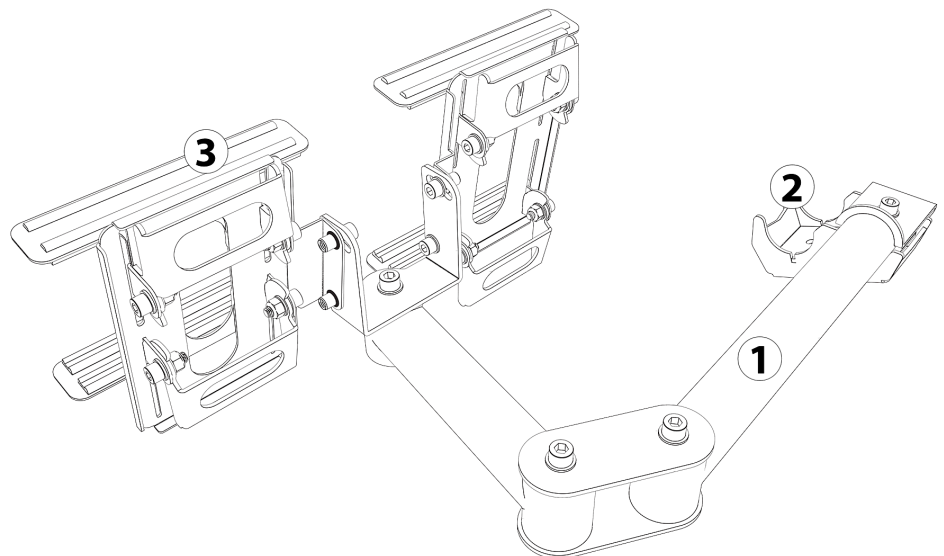
**FAILURE TO COMPLY WITH OR OBSERVE ALL ASSEMBLY, SAFETY AND OPERATION INSTRUCTIONS AND WARNINGS REGARDING THE USE OF THIS PRODUCT MAY RESULT IN SERIOUS BODILY INJURY.**

This simulator kit complies with the prescribed safety regulations. Inappropriate use may cause damage to persons and simulator.



### What's Included

- ① RSEAT B1, P1, C1 Tablet/Buttonbox tray adjustable arm
- ② Tablet/Buttonbox tray Chassis mounting bracket
- ③ Tablet/Buttonbox tray
- ④ Hardware: 1xM8x45mm, 1xM10x45mm, 1xM10x80mm, 1xM10 nut, M10 washers

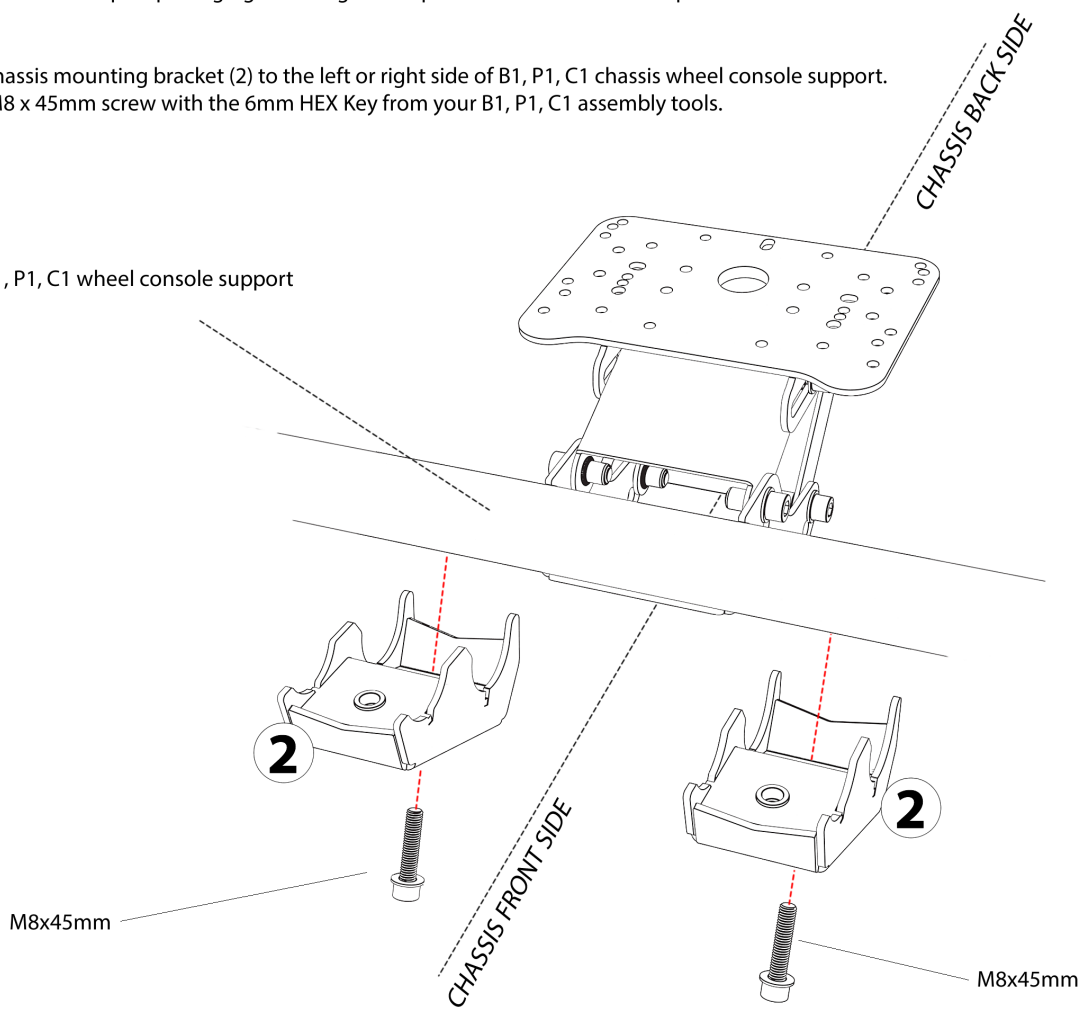


RSEAT B1,P1, C1 Tablet/Buttonbox tray upgrade kit come in single box with dimensions: 52 x 24 x 17cm (20.5 x 9.5 x 6.7 inch)

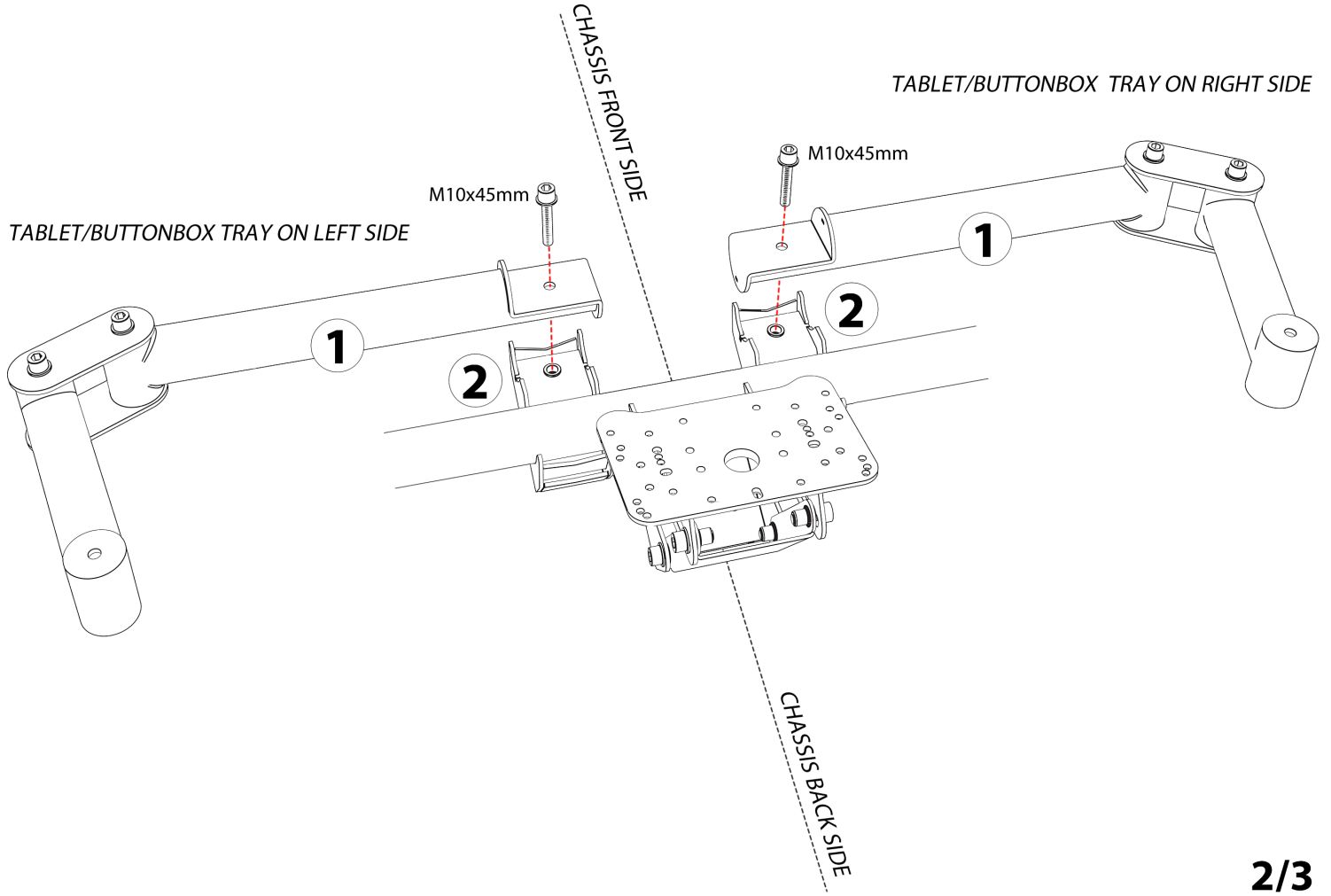
**BOX 1 of 1**

- 1 Remove all the transport packaging including carton protection and Stretch wrap film.
- 2 Install Chassis mounting bracket (2) to the left or right side of B1, P1, C1 chassis wheel console support. Use 1x M8 x 45mm screw with the 6mm HEX Key from your B1, P1, C1 assembly tools.

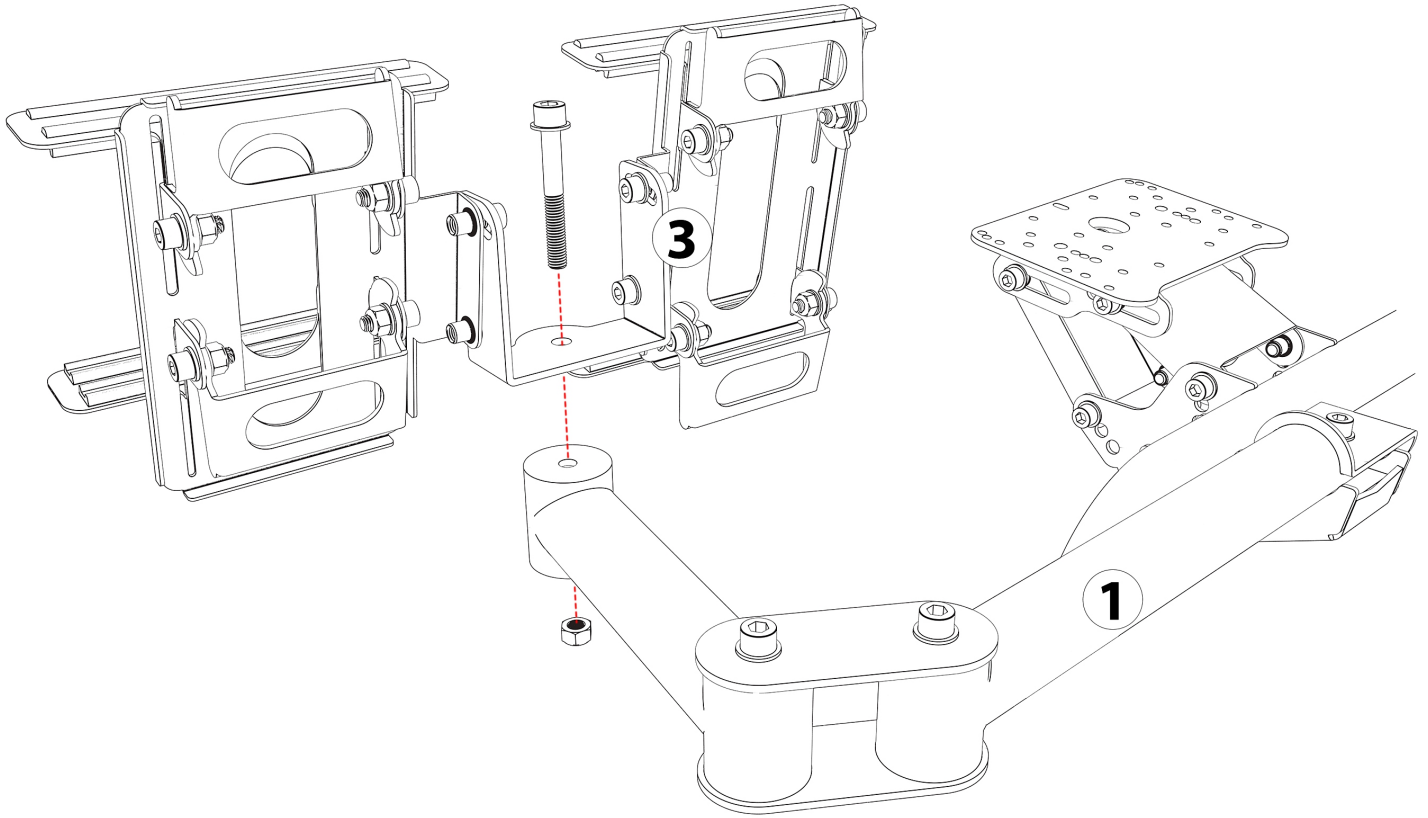
RSEAT B1, P1, C1 wheel console support



- 3 Install the adjustable arm (1) to mounting bracket (2) Use 1xM10x45mm screw with 8mm HEX Key provided with your B1, P1, C1 assembly tools **IMPORTANT! Make sure the mounting bracket(2) is on the same side where you want your tablet/buttonbox tray installed.**

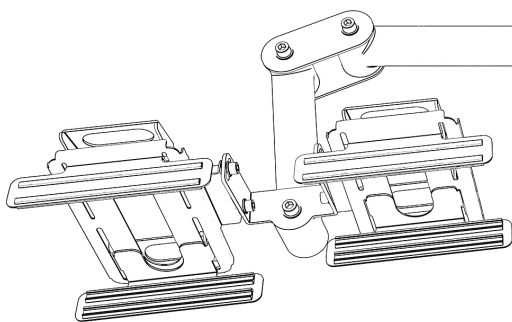


**4** Install Tablet/Buttonbox tray (3) to adjustable arm (1)  
Use 1x M10 x 80mm screw and M10 Nut with 8mm HEX Key and 17mm wrench

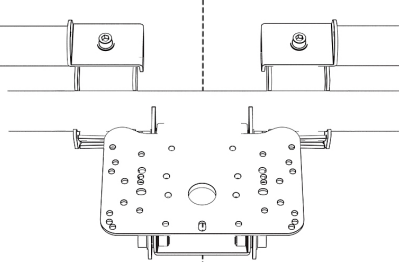


CHASSIS FRONT SIDE

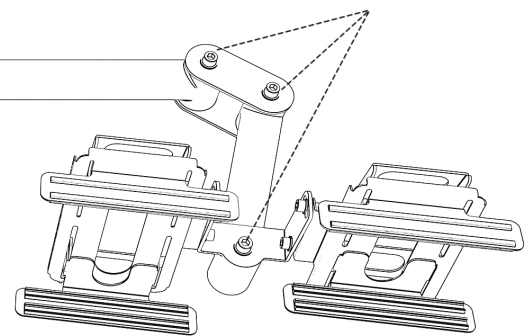
**IMPORTANT!** Tight those bolts to lock the position



TABLET/BUTTONBOX TRAY ON LEFT SIDE



CHASSIS BACK SIDE



TABLET/BUTTONBOX TRAY ON RIGHT SIDE