

RSEAT UPGRADES

ASSEMBLY INSTRUCTIONS

Language: **EN**

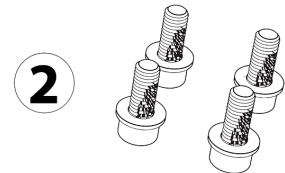
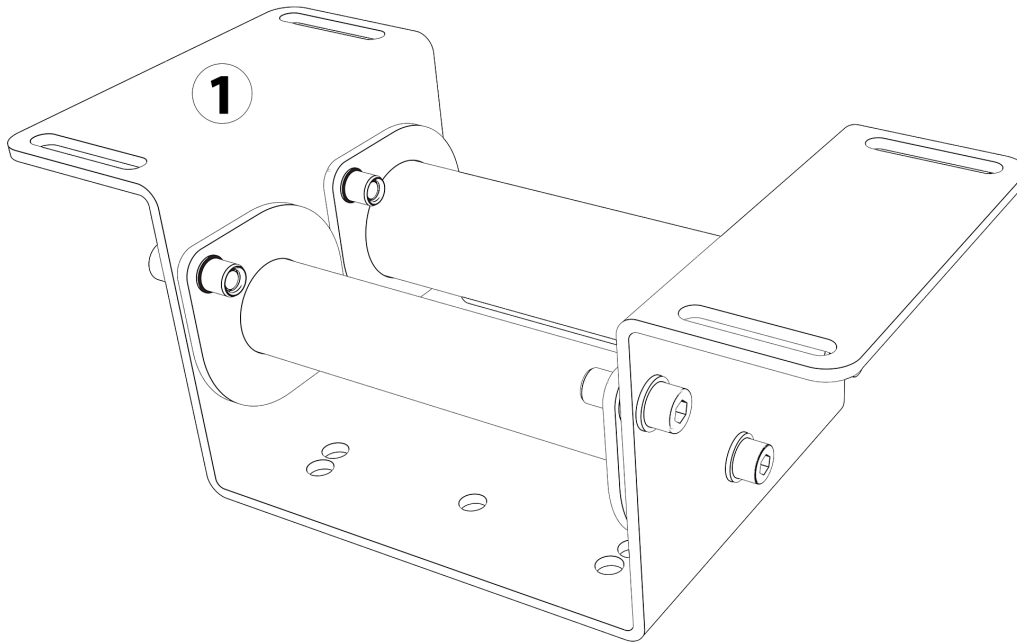
Buttkicker mount UPGRADE KIT RSEAT B1,P1,C1 chassis
Thank you for choosing RSEAT.

⚠ WARNINGS

Before you begin assembling this simulator kit, please read all installation instructions and warnings thoroughly.

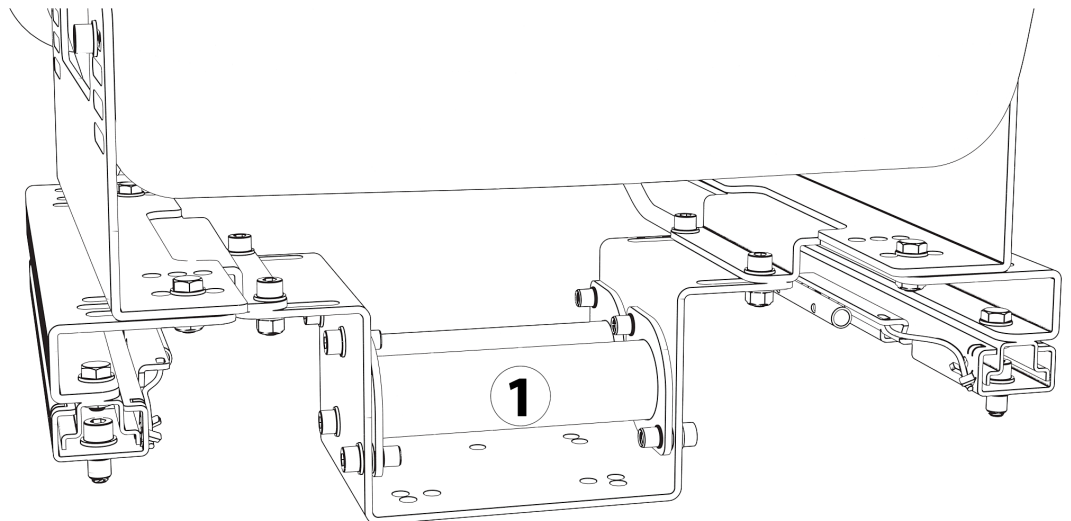
FAILURE TO COMPLY WITH OR OBSERVE ALL ASSEMBLY, SAFETY AND OPERATION INSTRUCTIONS AND WARNINGS REGARDING THE USE OF THIS PRODUCT MAY RESULT IN SERIOUS BODILY INJURY.

This simulator kit complies with the prescribed safety regulations. Inappropriate use may cause damage to persons and simulator.



What's Included

- ① RSEAT B1, P1, C1 Buttkicker mount upgrade kit
- ② Hardware to attach buttkicker: 4xM6 screws

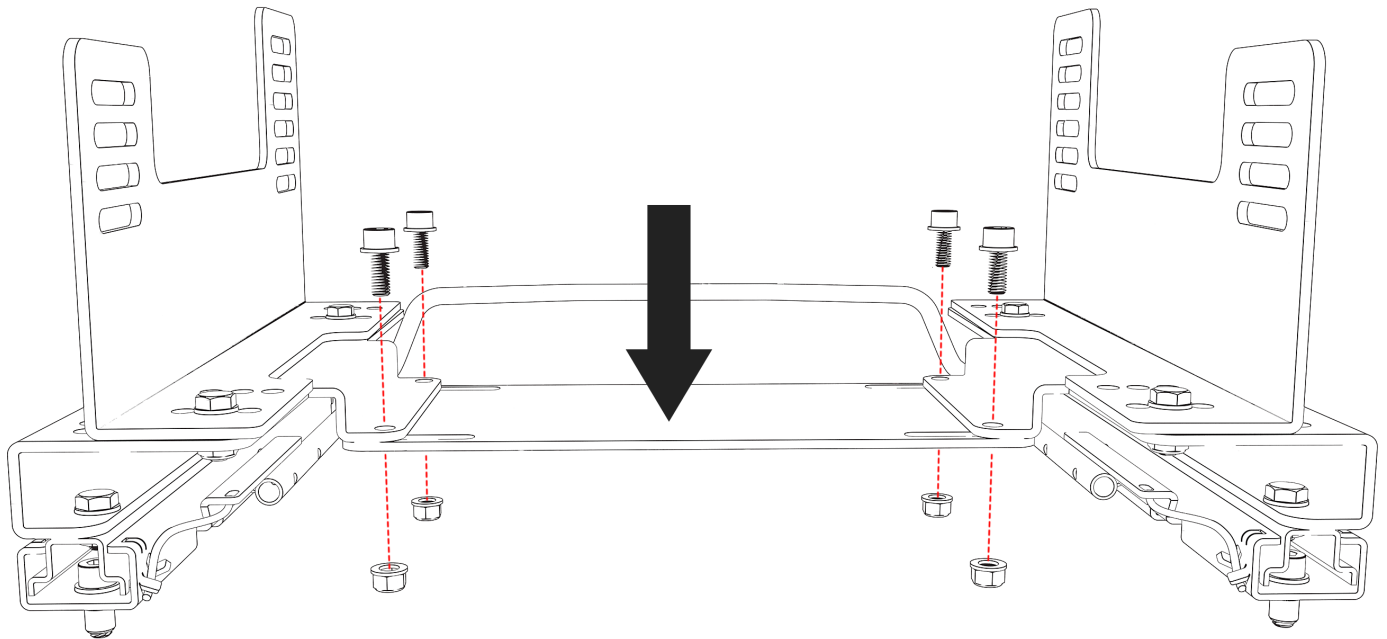


RSEAT B1,P1, C1 Buttkicker mount upgrade kit come in single box with dimensions: 33 x 23 x 10.1cm (13 x 9 x 4 inch)

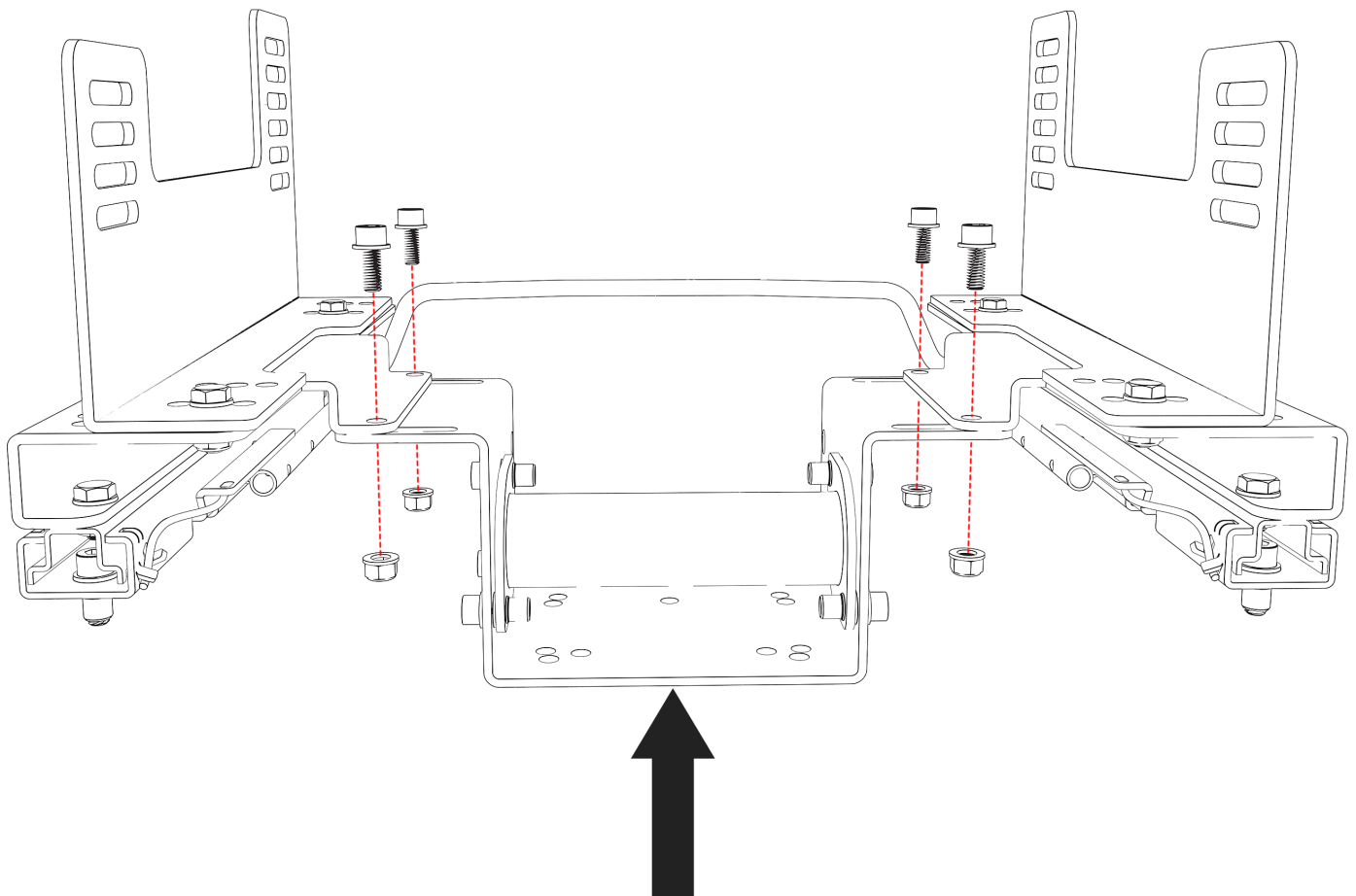
BOX 1 of 1

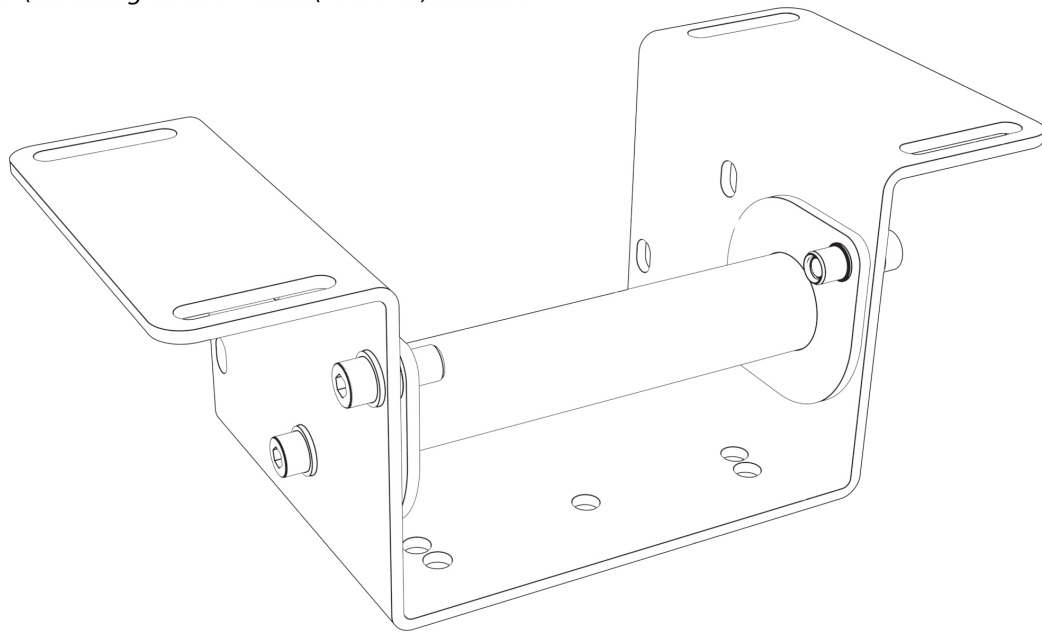
1 Remove all the transport packaging including carton protection and Stretch wrap film.

2 Remove your B1, P1, C1 chassis underseat support bracket . Use 6mm HEX Key and 13mm wrench from your B1, P1, C1 assembly tools.

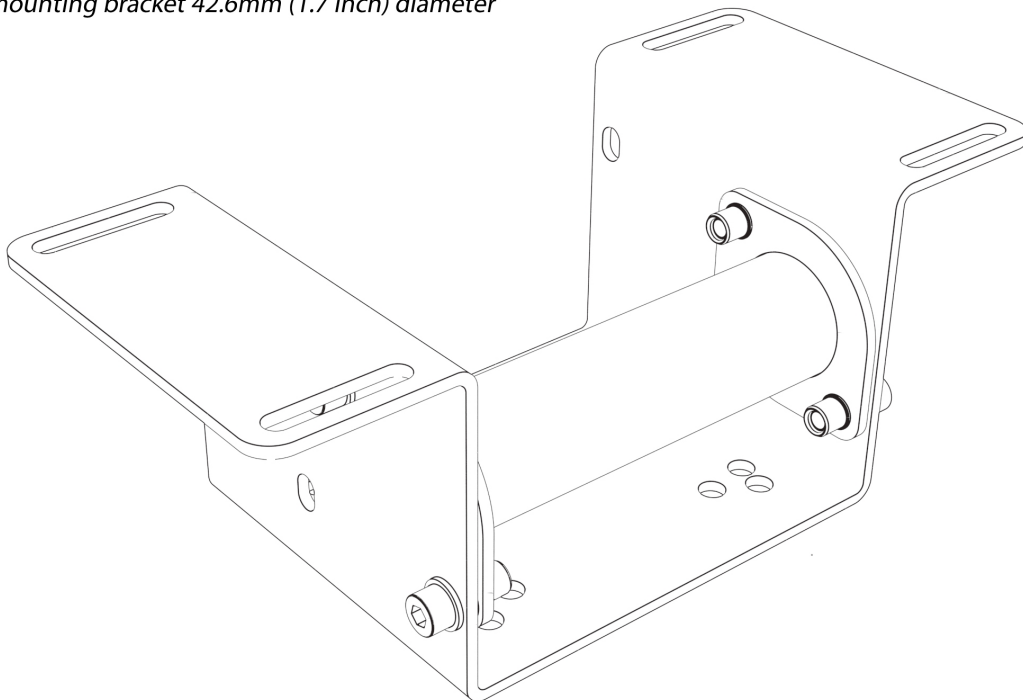


3 Install the Buttckiker Upgrade kit tray using the screws and nuts removed from the chassis underseat support bracket.





BUTTKICKER THMP1 (mounting bracket 42.6mm (1.7 inch) diameter)



BUTTKICKER Advance, mini LFE, mini Concert, LFE, Concert

