

RSEAT UPGRADES

ASSEMBLY INSTRUCTIONS

Language: **EN**

SIMUCUBE 1, SIMUCUBE 2 Sport / Pro / Ultimate, VRS DirectForce Pro, Mige motor
UPGRADE KIT RSEAT B1,P1,C1,G1 chassis

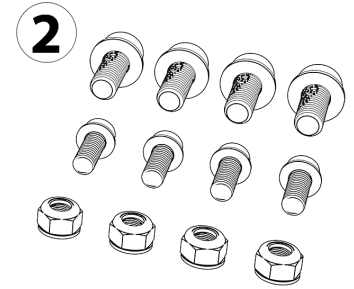
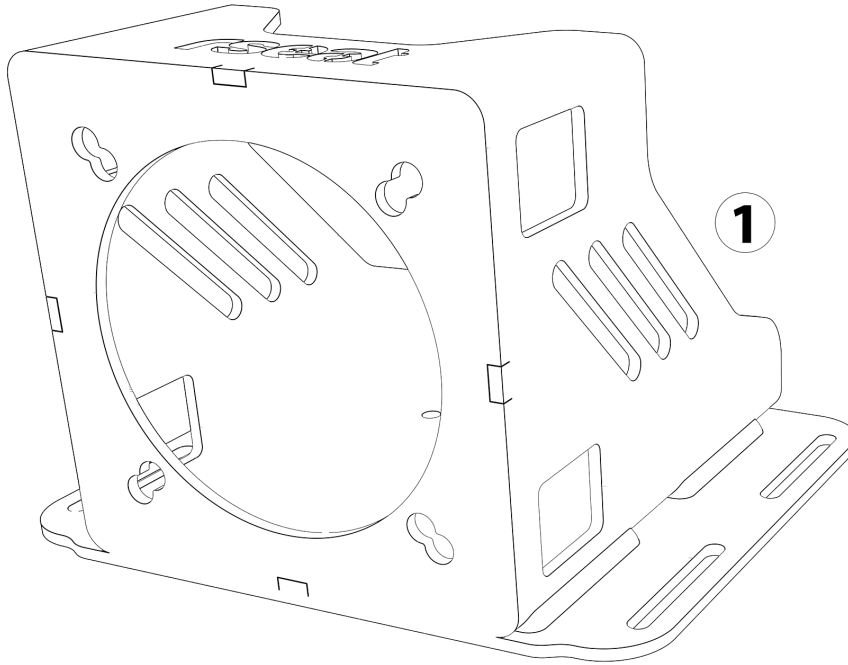
Thank you for choosing RSEAT.

⚠ WARNINGS

Before you begin assembling this simulator kit, please read all installation instructions and warnings thoroughly.

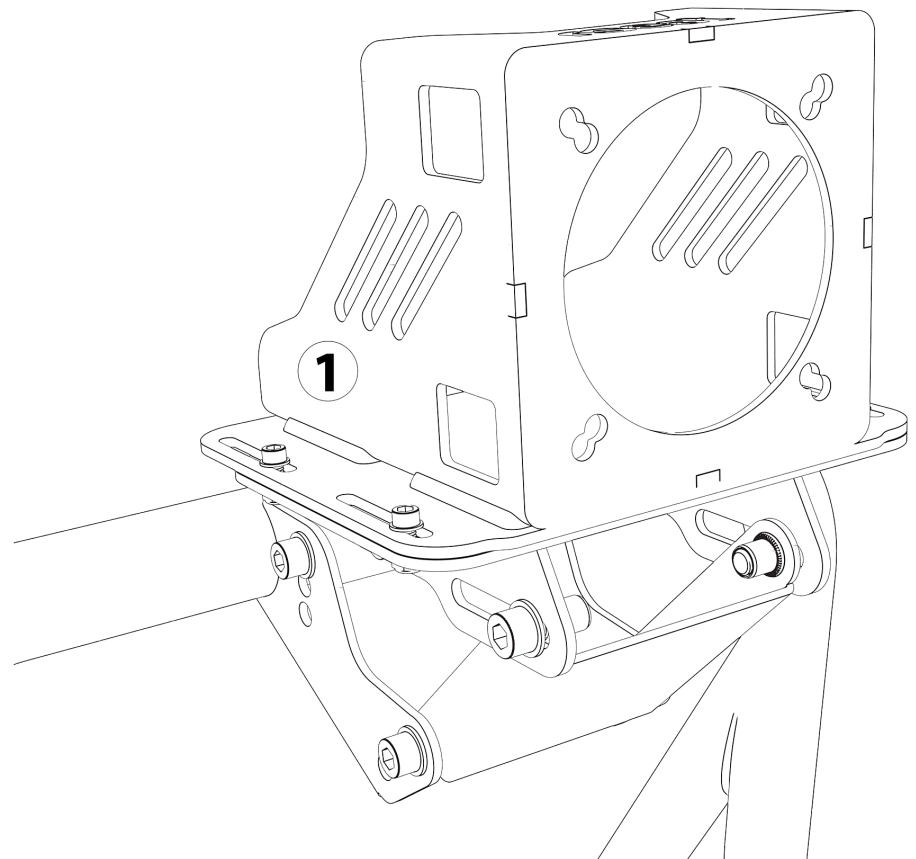
FAILURE TO COMPLY WITH OR OBSERVE ALL ASSEMBLY, SAFETY AND OPERATION INSTRUCTIONS AND WARNINGS REGARDING THE USE OF THIS PRODUCT MAY RESULT IN SERIOUS BODILY INJURY.

This simulator kit complies with the prescribed safety regulations. Inappropriate use may cause damage to persons and simulator.



What's Included

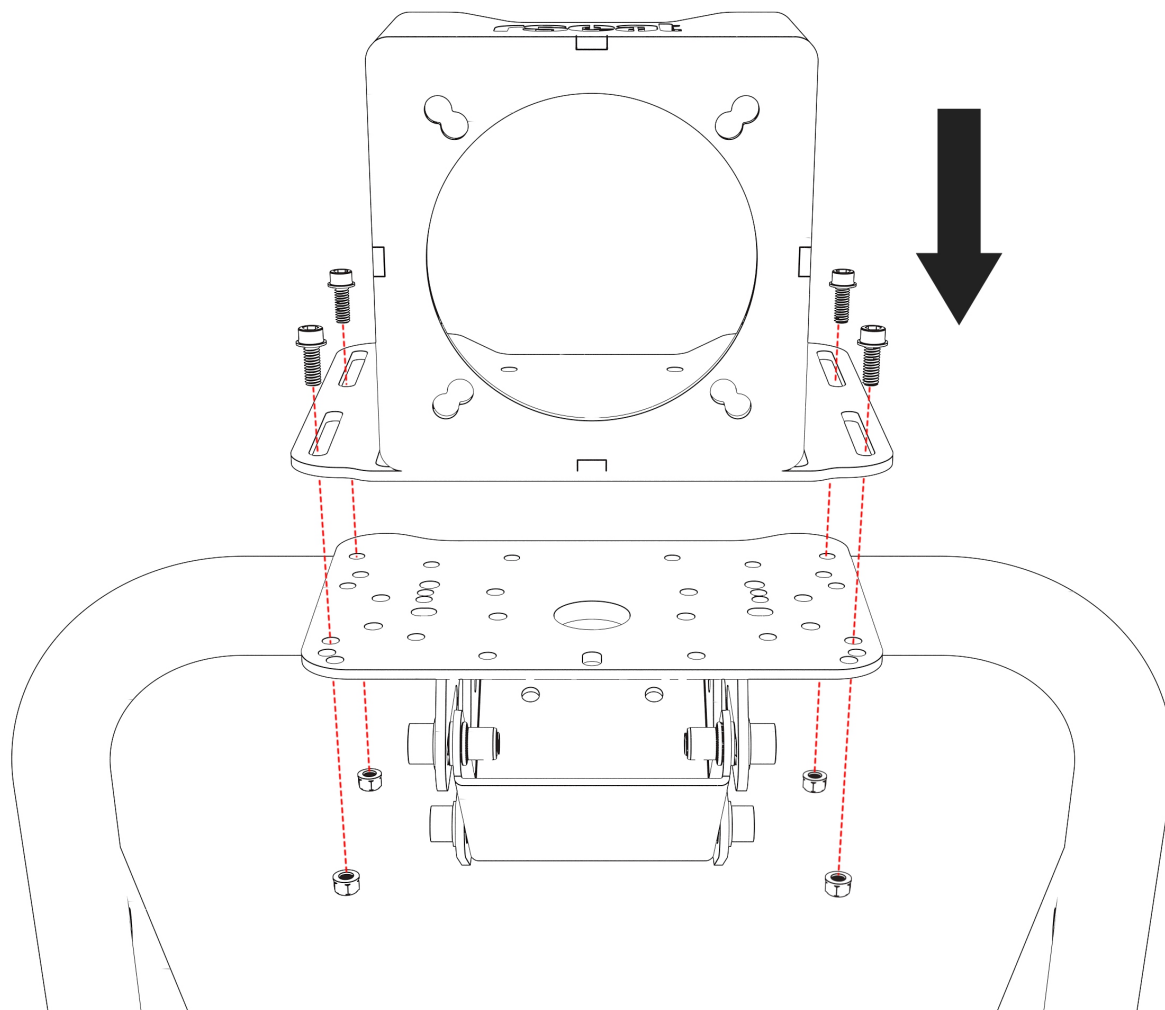
- ① RSEAT B1, P1, C1,G1 SIMUCUBE 1, SIMUCUBE 2 Sport / Pro / Ultimate, VRS DirectForce Pro, Mige motor mount
- ② Hardware: 4xM6 ,4xM8 screws, 4xM6 nuts



RSEAT B1,P1, C1, G1 Wheel mount
upgrade kit come in single box
with dimensions: 30 x 30 x 25.4cm
11.8 x 11.8 x 10 inch)

BOX 1 of 1

- 1 Remove all the transport packaging including carton protection and Stretch wrap film.
- 2 Install the wheel mount upgrade kit with 4xM6 screws/nuts provided. Use 5mm Hex Key and 10mm wrench



- 3 Install the wheel by 4xM8 screws provided. Use 6mm HEX key

