

RSEAT UPGRADES

ASSEMBLY INSTRUCTIONS

Language: **EN**

RSEAT P1 SHIFTER/HANDBRAKE UPGRADE KIT RSEAT

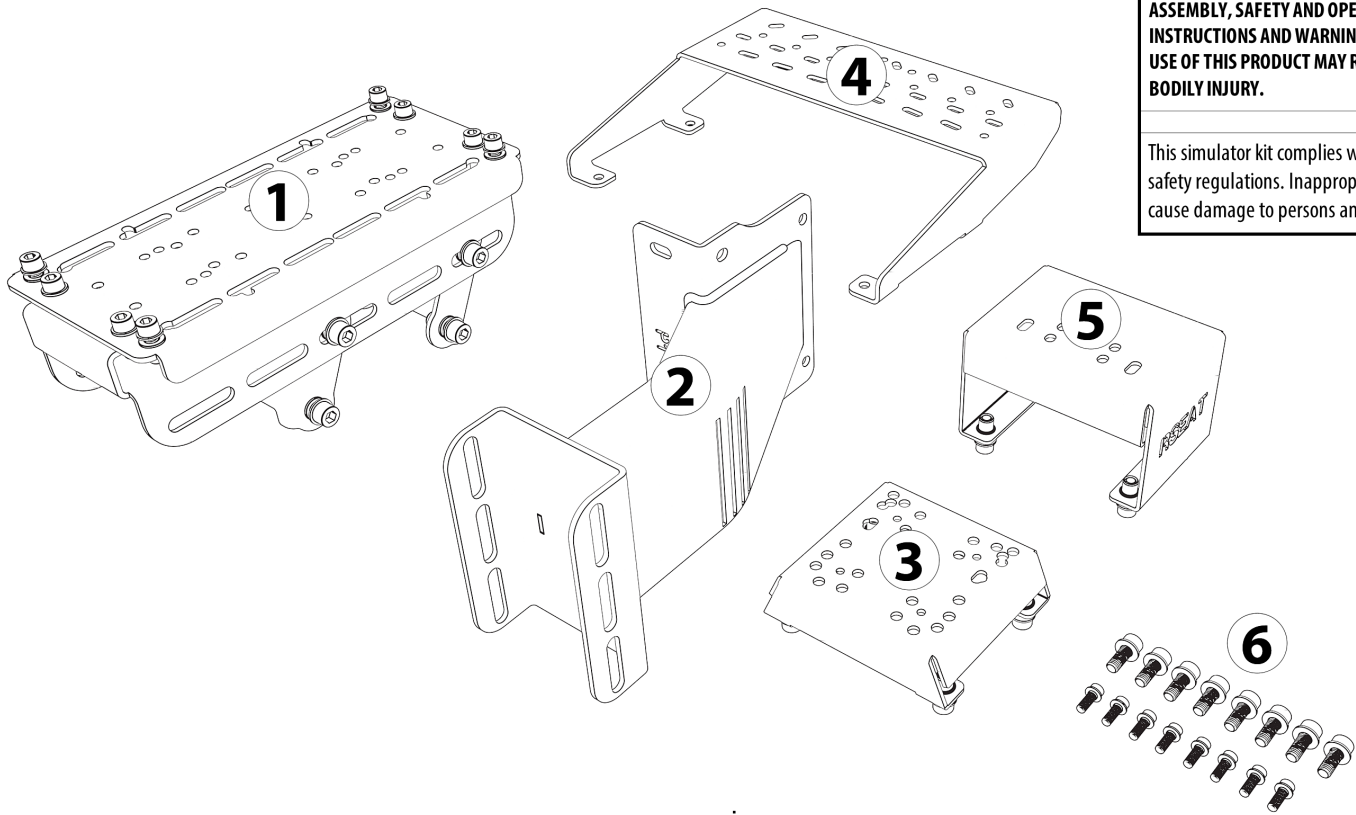
Thank you for choosing RSEAT.

⚠ WARNINGS

Before you begin assembling this simulator kit, please read all installation instructions and warnings thoroughly.

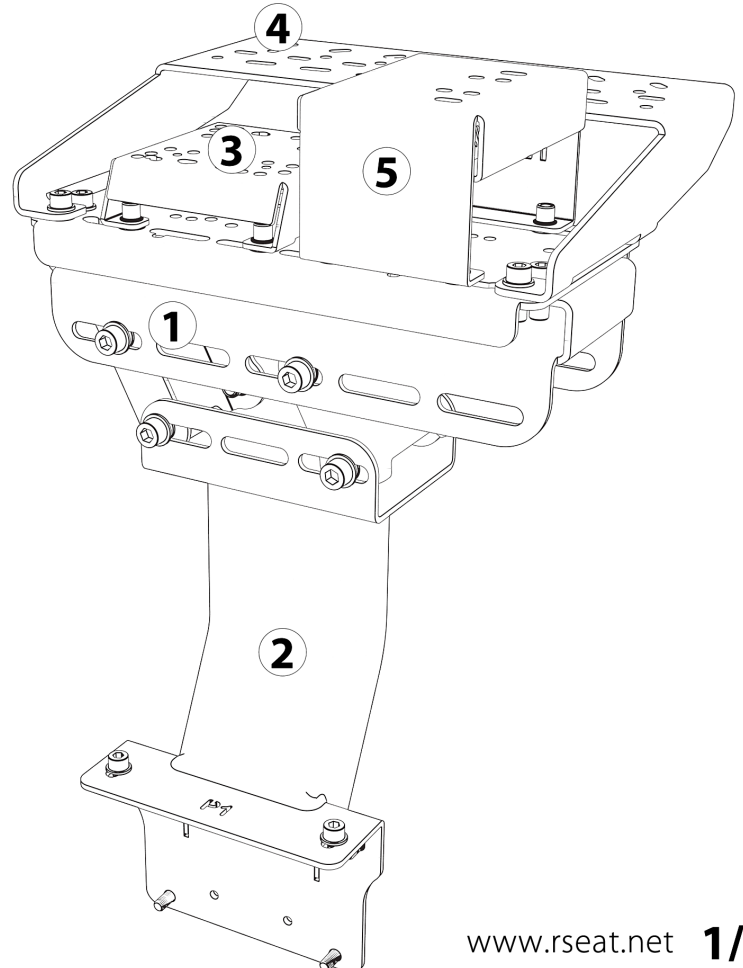
FAILURE TO COMPLY WITH OR OBSERVE ALL ASSEMBLY, SAFETY AND OPERATION INSTRUCTIONS AND WARNINGS REGARDING THE USE OF THIS PRODUCT MAY RESULT IN SERIOUS BODILY INJURY.

This simulator kit complies with the prescribed safety regulations. Inappropriate use may cause damage to persons and simulator.



What's Included

- ① RSEAT P1 Shifter/Handbrake top assembly
- ② RSEAT P1 Shifter/Handbrake main support
- ③ Fanatec Clubsport shifter (all models) adapter
- ④ Handbrake support
- ⑤ Thrustmaster/Logitech shifter adapter
- ⑥ Hardware: 8xM8x20mm, 8xM6x20mm

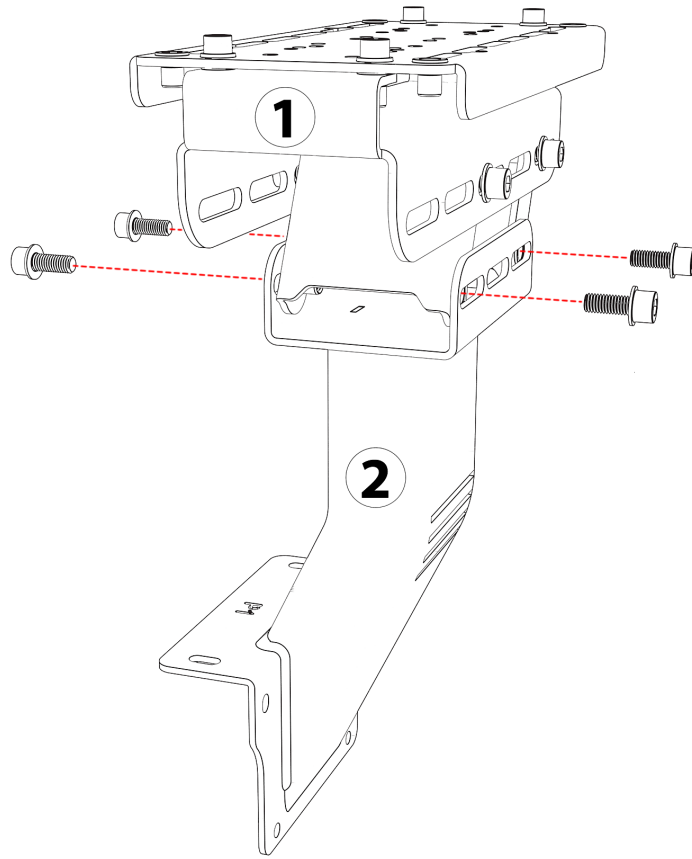


RSEAT P1 Shifter/Handbrake upgrade kit come in single box with dimensions: 67 x 25 x 20cm (26.5 x 10 x 8 inch)

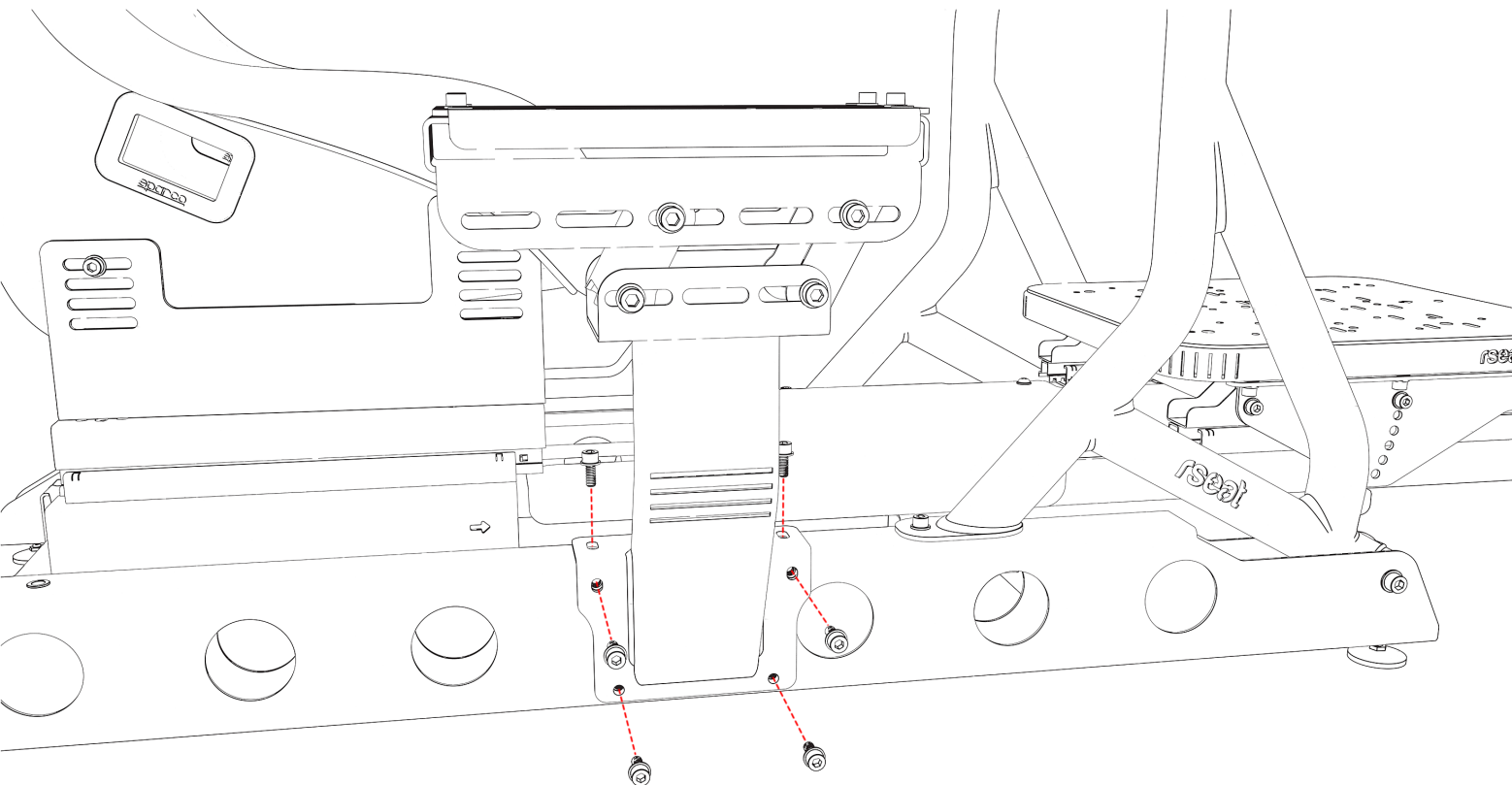
BOX 1 of 1

1 Remove all the transport packaging including carton protection and Stretch wrap film.

2 Install P1 Shifter Handbrake top assembly (1) to main support (2) Use 4x M10 screws and 8mm Hex Key from your P1 chassis assembly instructions

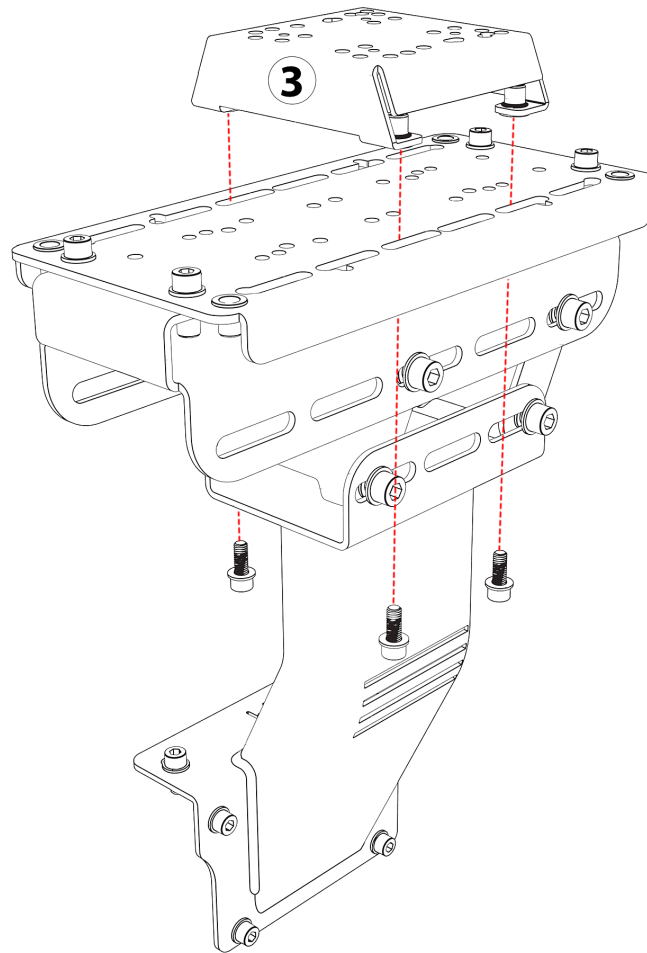


3 Install P1 Shifter Handbrake Upgrade kit on **Left or Right** side of P1 chassis. Use 6x M8x20mm screws and 6mm Hex Key from your P1 chassis assembly instructions

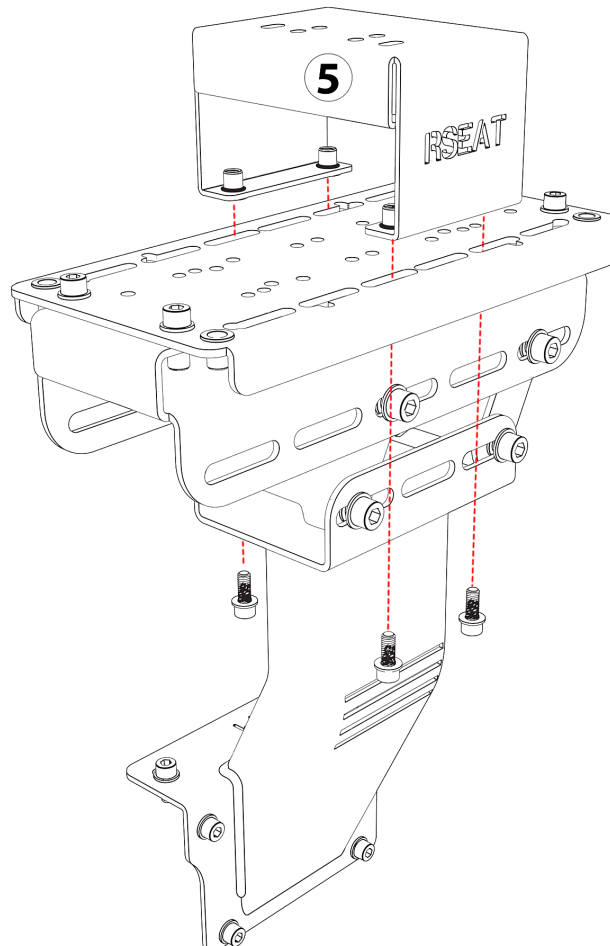


4

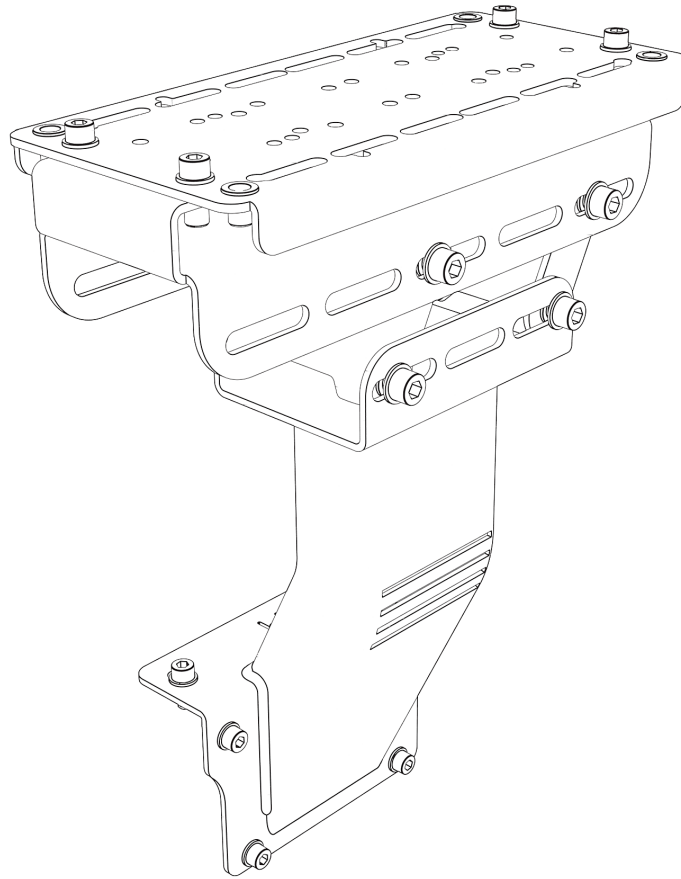
Fanatec Clubsport Shifter (all models). Install the Fanatec Shifter on adapter plate (3), use 4xM6x20mm screws provided. Next install the adapter plate on P1 shifter/handbrake top assembly (1), use 4xM8x20mm screws and 6mm Hex Key



Thrustmaster/Logitech Shifters - Install the Thrustmaster/Logitech Shifter on adapter plate (5), use 2xM6x20 screws provided. Next install the adapter plate on P1 shifter/handbrake top assembly (1) use 4xM8x20mm screws and 6mm Hex Key



Thrustmaster TSS Sequential Shifter Sparco Mod, DSD Pro Pro Sequential Shifter - Install the shifter on top assembly (1) with no adapter plate. Use 4xM6x20mm screws provided.



Handbrake Support - Install Thrustmaster TSS handbrake Sparco mod, Fanatec Clubsport handbrake on adapter plate (4), use 4xM6x20 screws. Next install the adapter plate on P1 shifter/handbrake top assembly (1) use 4xM8x20mm screws and 6mm Hex Key

