

SHELL SHOXX

User's Manual

The Ultimate Gaming Accessory



MQB-XX



300-XX

Table of Contents

- 3 Introduction
- 3-5 Safety Instructions
 - 6 What's in the Box
 - 6 Applications
 - 7 Setting Up the System
 - 8 Connecting to a TV
 - 9 Connecting to a Computer
 - 10 Using Shell Shoxx with iQuake-52
 - 11 Connecting a Computer to iQuake-52
 - 12 Connecting a Video Game Console with iQuake-52
 - 13 Connecting a MiniMe to the iQuake-52/Shell Shoxx System
- 14 Specifications
- 15 Warranty Guidelines



The Sound That Will *Move* You.

Earthquake Sound Corporation
2727 McCone Avenue
Hayward, CA 94545
Tel: 510-732-1000
Fax: 510-732-1095

Customer Support
tech@earthquakesound.com
Tel: 800-576-7944
Fax: 510-732-1095

© 2011 Earthquake Sound Corporation. All rights reserved.

This document should not be construed as a commitment on the part of Earthquake Sound Corporation. The information is subject to change without notice. Earthquake Sound Corporation assumes no responsibility for errors that may appear within this document.

Introduction

The Shell Shoxx set includes the **MQB-XX** shaker and **300-XX**, a matching 300-watt max amplifier. This gaming set is the ultimate gaming accessory and brings 3D Motion™ to any set-up. The MQB-XX is a patented shaker that converts low frequencies into powerful vibrations. It is optimized to clamp on to virtually any office chair; however, can be clamped onto an ordinary chair leg or couch structure as well. The MQB-XX is powered by our 300-XX, an amplifier specifically designed for our shaker.

Shell Shoxx comes with all the necessary accessories and wires. The easy install system requires no screws or installation. Simply clamp on, plug in, and play. Shell Shoxx adds another dimension to your gaming experience with Earthquake's 3D Motion™ technology.

Safety Instructions

Safety First

This documentation contains general safety, installation, and operating instructions for Shell Shoxx. It is important to read this user's manual before attempting to use these products. Pay particular attention to the safety instructions.

Symbols Explained:



Appears on the component to indicate the presence of uninsulated, dangerous voltage inside the enclosure – voltage that may be sufficient to constitute a risk of shock.

CAUTION

Calls attention to a procedure, practice, condition or the like that, if not correctly performed or adhered to, could result in injury or death.

WARNING

Calls attention to a procedure, practice, condition or the like that, if not correctly performed or adhered to, could result in damage to or destruction of part or all of the product.

Note:

Calls attention to information that is essential to highlight.

Safety Instructions

- 1) Read these instructions in their entirety.
- 2) Store this manual and packaging in a safe place.
- 3) Heed all warnings.
- 4) Follow instructions (do not take short cuts).
- 5) Do not use this apparatus near water.
- 6) Clean only with a dry cloth.
- 7) Do not block any ventilation openings. Install in accordance with the manufacturer's instructions.
- 8) Do not install near any heat sources such as radiators, heat registers, stoves, or other apparatuses that produce heat.
- 9) Do not defeat the safety purpose of the polarized or grounding-type plug. A polarized plug has two blades with one wider than the other. A grounding-type plug has two blades and a third grounding prong. The wide blade or the third prong is provided for your safety. If the provided plug does not fit into your outlet, consult an electrician for replacement of the obsolete outlet.
- 10) Protect the power cord from being walked on or pinched, particularly at plugs, convenience receptacles, and the point where they exit from the apparatus.
- 11) Only use attachments & accessories specified by the manufacturer.
- 12) Use only compatible rack or cart for final resting position.
- 13) Unplug this apparatus during lightning storm or when unused for a long period of time.
- 14) Refer all servicing to qualified service personnel. Servicing is required when the apparatus has been damaged in anyway, such as: power-supply cord or plug is damaged, liquid has been spilled or objects have fallen into the apparatus, the apparatus has been exposed to rain or moisture, does not operate normally, or has been dropped.
- 15) To reduce the risk of fire or electric shock, do not expose this apparatus to rain or moisture.

Unpacking System Components

- Keep the original carton and packing materials for future shipment or storage.
- Check for any visual signs of damage. If you encounter any concealed damage, consult your Earthquake Sound dealer before proceeding with unit installation.
- Retain the sales receipt as it establishes the duration of the limited warranty and provides information for insurance purposes.

System Installation Considerations

There are several factors to consider before installing Earthquake Sound's **Shell Shoxx**.

- What are the intended listening zones?
- What system options and accessories might be required for features such as local sources, etc.?
- From where in each zone will the listener prefer to control the system? Where will the remote gains be located? Where will the speakers be located?
- Where will the source equipment be located?

Connection Tips

- Keep all power cords away from all signal cables to prevent humming from induced noise.
- Choose reliable signal cable cords (Earthquake Sound also specializes in high-performance RCA cables and patches).
- All speaker wires that are ran through the walls should be twisted to reduce potential hum noise pick up.
- Label both ends of all wires with the corresponding room location.
- It is best to use a grounded electrical outlet to power the amplifier. Lack of input ground reference could be unsafe. Consult your electrical contractor about proper grounding.

The Shell Shoxx package comes with:

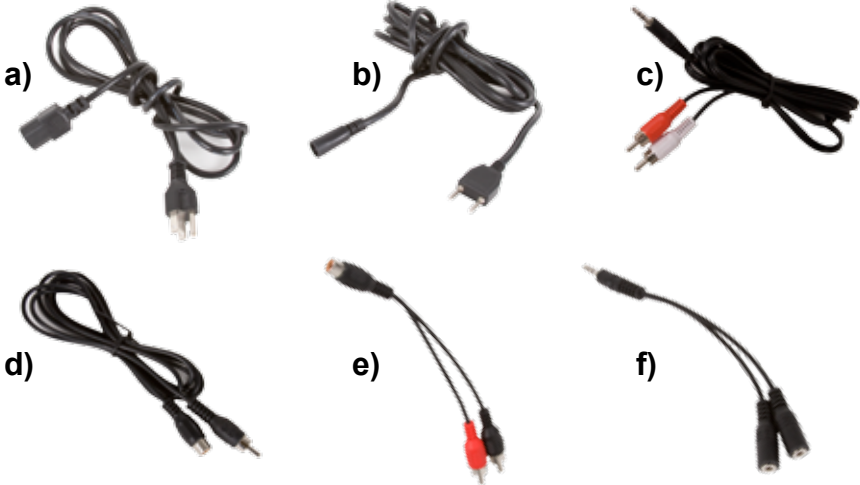
MQB-XX Shaker
300-XX Amplifier (110 or 220 Volt)
Wired Controller to adjust amplifier intensity

Cables

- a) Power Supply cord to power the 300-XX
- b) Amplifier Output Cord (9ft)
- c) RCA to Mini cable
- d) RCA male to female cable
- e) RCA "Y" Adaptor female to dual male
- f) Mini "Y" Adaptor male to dual female

Other

2 Velcro Rings



Applications:

- Video games with gaming console
- Computer games
- Movie Watching

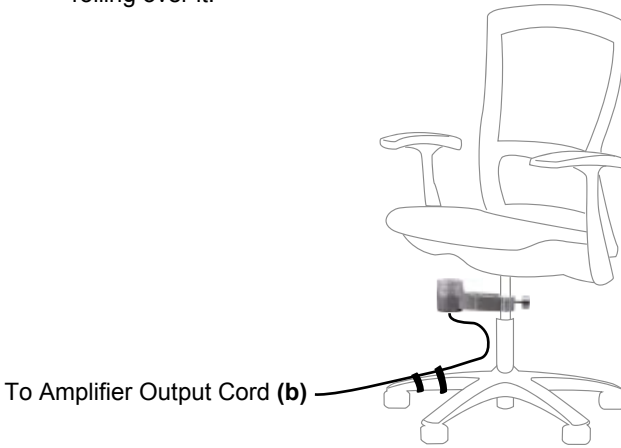
Great for:

Apartments
Offices
Dorm Rooms
Bedrooms
Teenager's Room

Setting Up Your Shell Shoxx System

Attaching the Shell Shoxx Shaker to Your Chair

- 1) Mount your Shell Shoxx Shaker to your chair. If using an office chair, be sure to push down the plastic sleeve covering the center post. Tighten securely once attached to the center post.
- 2) Use the velcro straps to secure the cord to the leg of your chair to prevent rolling over it.

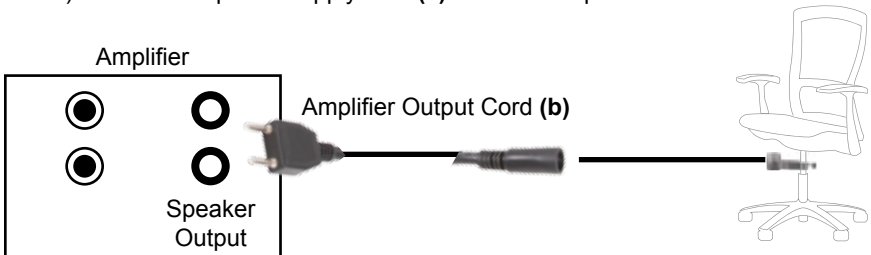


Connecting the Shell Shoxx Amplifier to the Shaker



WARNING

- 1) Make sure your Shell Shoxx Amplifier is turned off before hooking it up to the Shaker.
- 2) Connect the amplifier output cord (b) to the Shaker cord. Then connect it to the Amplifier's speaker output. Be sure to match the red terminal with the positive connector (right) and the black terminal to the negative connector (left).
- 3) Connect the power supply cord (a) from the Amplifier to a wall outlet.



Connecting to a TV with Video Game Console

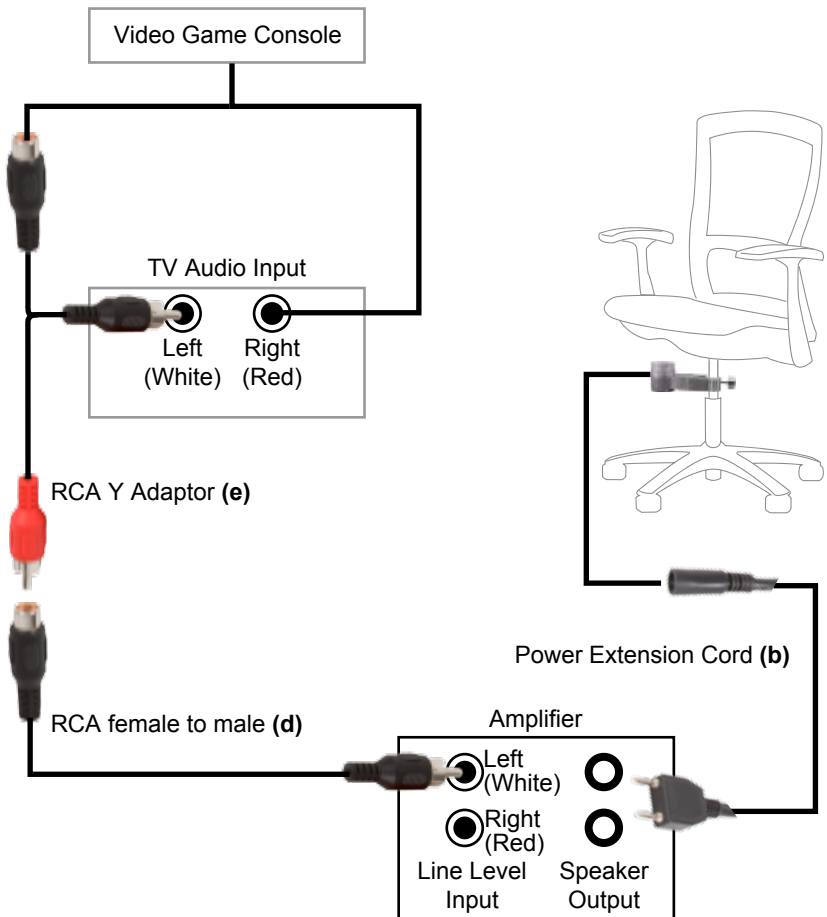
1) Locate the RCA input on your TV where your console is hooked up to.

Note: If you are using an HDMI cable for your audio/video, you may have to change the settings in your video game console so that the audio outputs through the RCAs.

2) Unplug the white left audio supply and plug in one of the RCA Y adaptor's (e) male terminals.

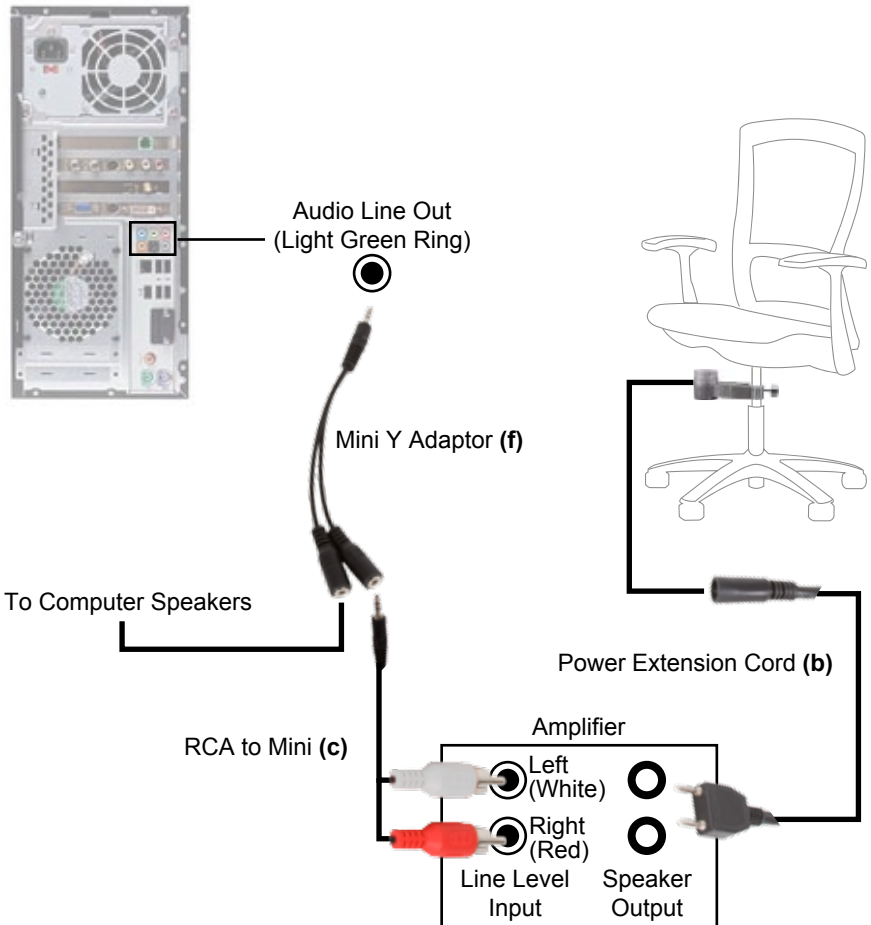
3) Reconnect the console's left audio to the RCA Y adaptor's (e) female terminal.

4) Connect the RCA cable's (d) female terminal to the RCA Y adaptor (e). Connect the RCA cable's (d) male terminal to the LEFT line level input. This uses the mono function.



Connecting to a Computer

- 1) Locate the audio line out on your computer, commonly signified with a light green ring.
- 2) Connect the Mini Y adaptor's **(f)** male terminal to the computer audio output.
- 3) Connect your computer speakers to one of the female terminals of the Mini Y adaptor **(f)**.
- 4) Use the RCA to Mini **(c)** cable to connect the mini-jack to the other female terminal of the Y adaptor **(f)**. Connect the RCA jacks **(c)** to the line level input terminal on the Shell Shoxx Amplifier.



Connecting with iQuake-52 iPod Docking Speakers

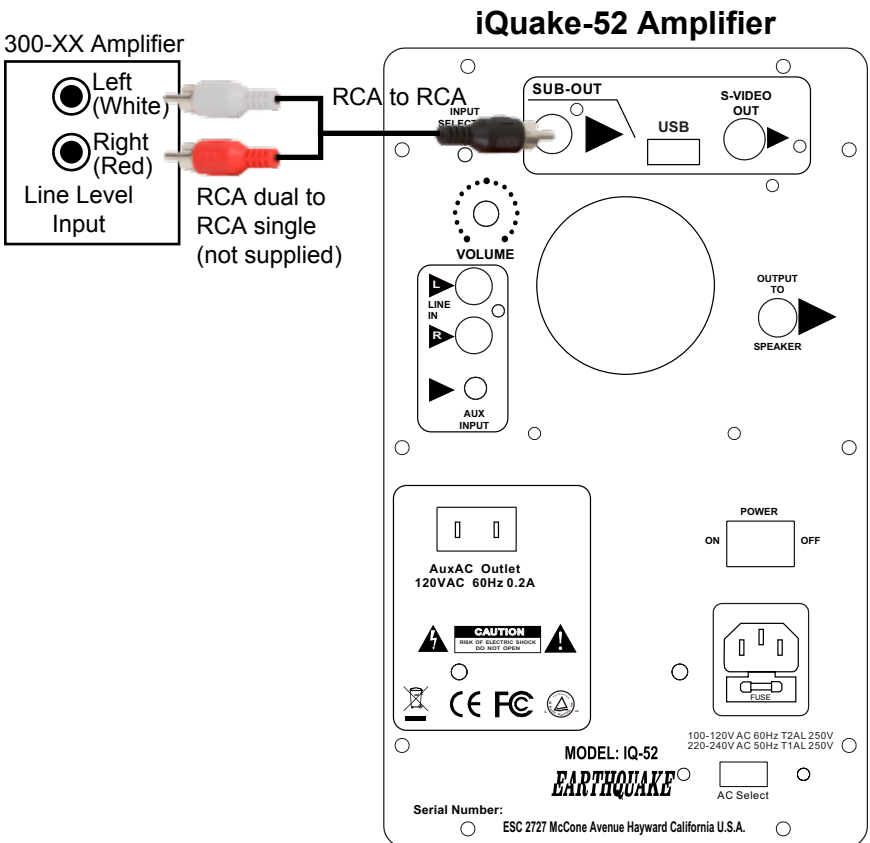
Earthquake's iQuake-52 iPod Docking Speakers are a perfect sound stage for the Shell Shoxx gaming set. With a built in 200-watt amplifier, this set of speakers is powerful enough for your gaming and stereo needs.

iQuake-52 has three different audio inputs, the iPod dock, an RCA input, and a mini-jack input.



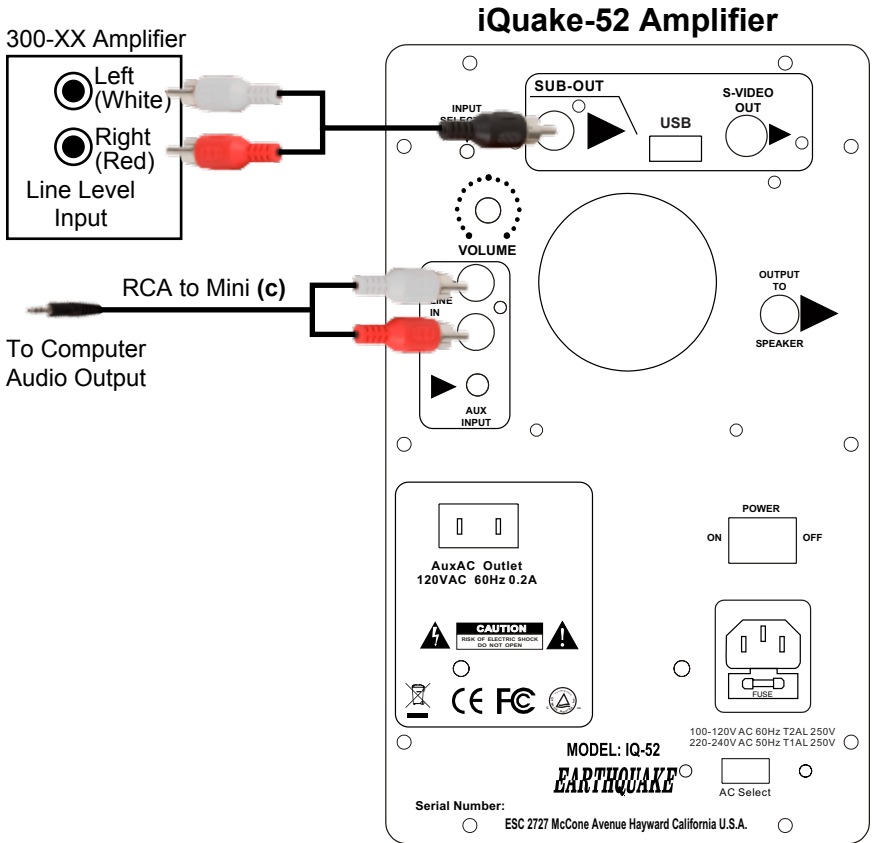
Connecting Shell Shoxx to iQuake-52

- 1) Connect an RCA cable (single to dual, not supplied) from the subwoofer output on the iQuake-52 amplifier to the audio input on the Shell Shoxx amplifier.



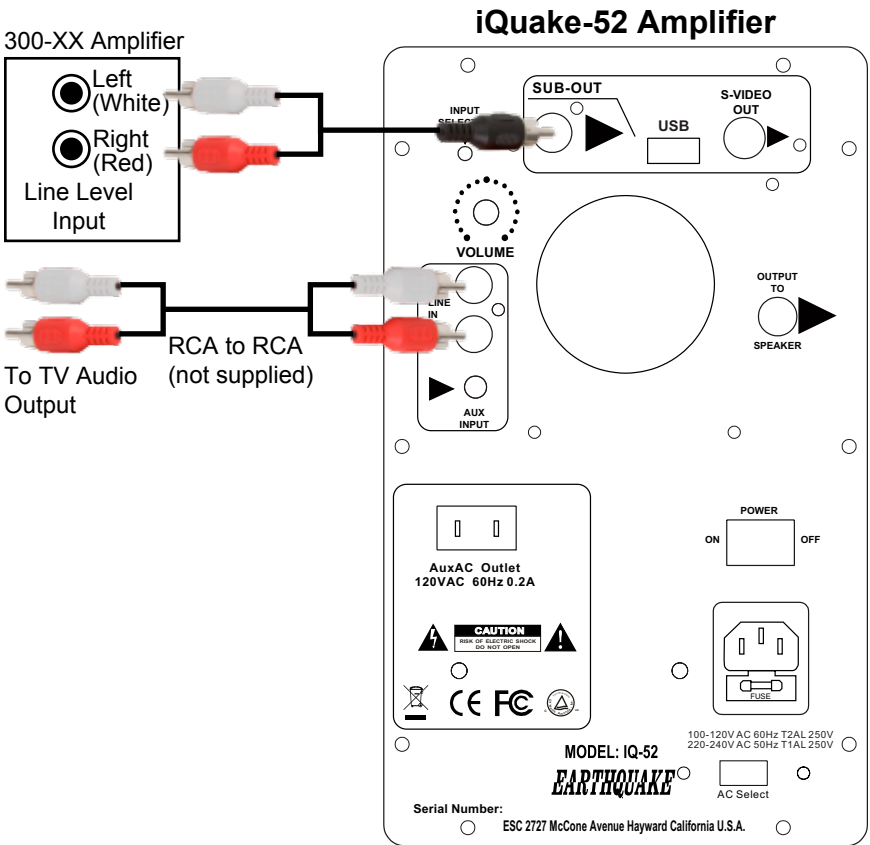
If You are Using a Computer with iQuake-52

- 1) Connect a Mini to RCA cable (c) from the audio output on your computer to the audio input on the iQuake-52 amplifier.
- 2) Toggle through the input selector until you hear the audio.



If You Are Using a Video Game Console with iQuake-52

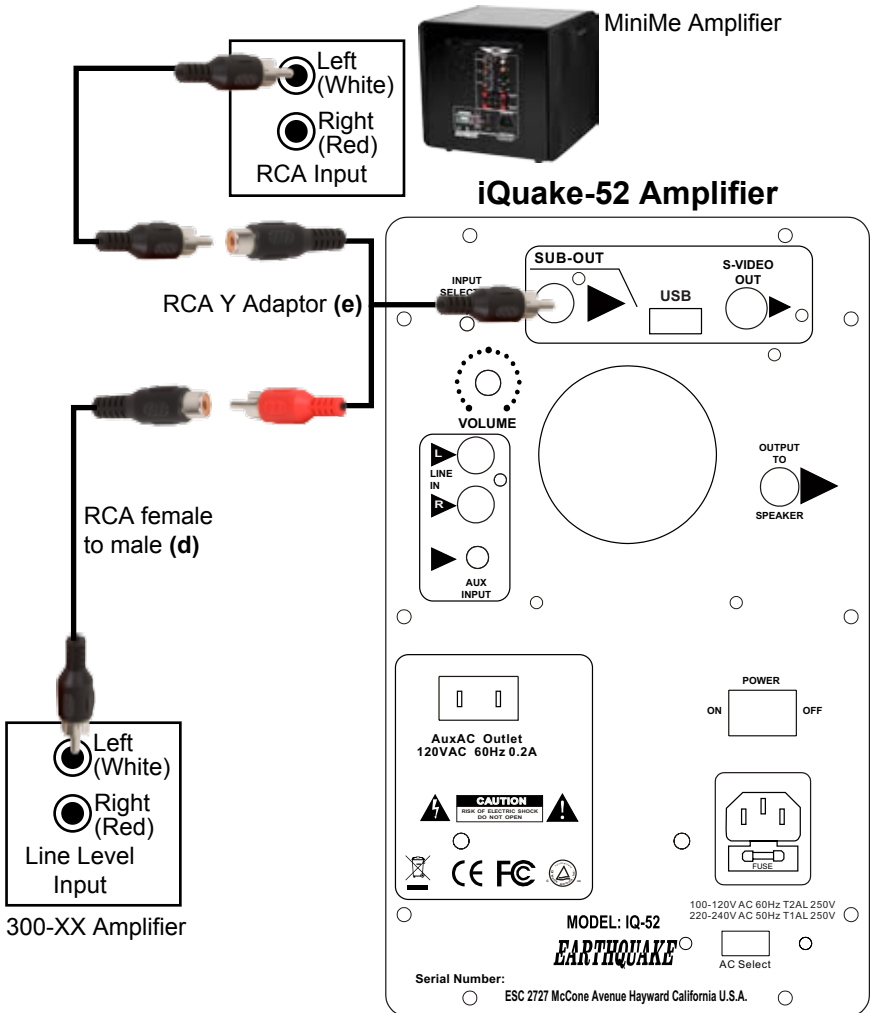
- 1) Keep the video game console's audio and video plugged into your TV.
- 2) Connect an RCA cable (not supplied) from the audio output of your TV to the audio input of the iQuake-52 amplifier.
- 3) Toggle through the input selector until you hear the audio.



Connecting a MiniMe Subwoofer to Your iQuake-52

For the highest impact system, use Earthquake's MiniMe subwoofer and Shell Shoxx at the same time.

- 1) Connect the male end of the RCA Y Adaptor (e) into the subwoofer output of the iQuake-52 amplifier.
- 2) Connect the RCA female to male cable (d) from the Y adaptor to Shell Shoxx's left audio input.
- 3) Connect an RCA single male to male cable (not supplied) from the Y adaptor to MiniMe's left audio input.



Specifications

Model No.	MQB-XX
Frequency Response	15 - 50Hz
Impedance	8-ohm
Power	20 - 500W
Pipe Size	1.1" - 1.5" (28mm - 38mm)
Dimensions Height:	3-1/2" (89mm)
Width:	2-3/4" (70mm)
Depth:	8-1/2" (216mm)

Model No.	300-XX
Frequency Response	28 - 175Hz
Output Power	4-ohm load: 320WRMS 8-ohm load: 160WRMS
Power Line Voltage	110 - 120C ~ AC/60Hz/180W (220 option)
Input Sensitivity for Full Output	max/min: 0.2V/1.7V
Input Impedance	10Kohm
Dimensions Height:	9-1/2" (241mm)
Width:	13-3/16" (335mm)
Depth:	3-1/4" (82mm)

1 Year Limited Warranty

Shell Shoxx (1) year limited warranty:

Earthquake warrants the original purchaser that the speaker or amplifier (product) is free from defects in material and workmanship, under normal and proper use, for a period of one (1) year from the date of purchase (as shown on the original bill of sale with serial number affixed/written on it). The one (1) year warranty period is valid only if the product is properly installed by an Earthquake authorized party, and the warranty registration card is properly filled out and sent to Earthquake Sound Corporation. **If the product is installed by a non-authorized dealer, a thirty (30) day warranty period applies.**

(A) One (1) year limited warranty guidelines: (If installed by an authorized Earthquake dealer)

First year: Earthquake pays for labor, parts, and ground freight (**only in US mainland**) back to customer.

(B) Warning:

- Products (sent for repair) that are tested by Earthquake technicians and deemed to have no problem, will not be covered by the limited warranty. Customer will be charged a minimum of one (1) hour of labor (ongoing rates) plus shipping charges back to customer.
- Each product sent for repair must be packaged in its original packaging. Otherwise, **there will be repackaging charge in addition to labor, parts and shipping charges.**

© Earthquake agrees to repair or replace - at our option - all such defective products/parts subject to the following provisions:

- Defective products/parts have not been altered or repaired by other than an Earthquake factory approved technician.
- Products/parts are not subjected to negligence, misuse, improper use, or accident, damaged by improper line voltage, used with incompatible products, or have its serial number or any part of it altered, defaced or removed, or have been used in any way that is contrary to Earthquake's written instructions.

(D) Warranty Limitations:

Earthquake warranty does not cover products that have been modified or abused. Including but not limited to the following:

- Damages to speaker cabinet and cabinet finish due to misuse, abuse, or use of improper use of cleaning materials/methods.
- Bent speaker frame, broken speaker connectors, holes in speaker cone, surround & dust cap, burnt speaker voice coil.
- Fading, deterioration of speaker components & finish due to improper exposure to elements.
- Bent amplifier casing, damaged finish on the casing due to abuse, misuse, or improper use of cleaning material.
- Burnt tracers on PCB.
- Product/part damaged due to poor packaging or abusive shipping conditions.
- Subsequent damage to other products.

A warranty claim will not be valid if the warranty registration card is not properly filled & returned to Earthquake with a copy of the purchase receipt.

(E) Service Request:

To receive product(s) service, contact Earthquake service department at (510) 732-1000 and request an RMA number (Return Material Authorization), items shipped without a valid RMA number will be refused. Make sure you provide us with your complete/correct shipping address, a valid phone number, and a brief description of the problem you are experiencing with the product. In most cases, our technicians might be able to resolve the problem over the phone, thus eliminating the need to ship the product.

(F) Shipping Instructions:

Product(s) must be packaged in its original protective box(es) to minimize transport damage and avoid repackaging charges. Shipper claims regarding items damaged in transit must be presented to carrier. Earthquake Sound Corporation reserves the right to refuse products that are improperly packaged. A copy of the purchase receipt must accompany product returned for service. We encourage you to include with the package a written description of the problem. Ship product to: Earthquake Sound Corp. 2727 Mc Cone Avenue, Hayward, CA 94545. Ph (510) 732-1000. You are responsible for the cost of shipping the product to Earthquake Sound Corporation.

(G) Disputes Resolution:

All disputes - between clients and Earthquake Sound Corporation - resulting from the one (1) year limited warranty policy must be resolved according to the laws & regulations of the county of Alameda, California.



The Sound That Will *Move* You.

Earthquake Sound reserves the right to amend details of the specifications without notice.

© Copyright Earthquake Sound Corporation
Earthquake Sound Corporation
2727 McCone Avenue, Hayward CA, 94545
Phone: (510) 732-1000 Fax: (510) 732-1095