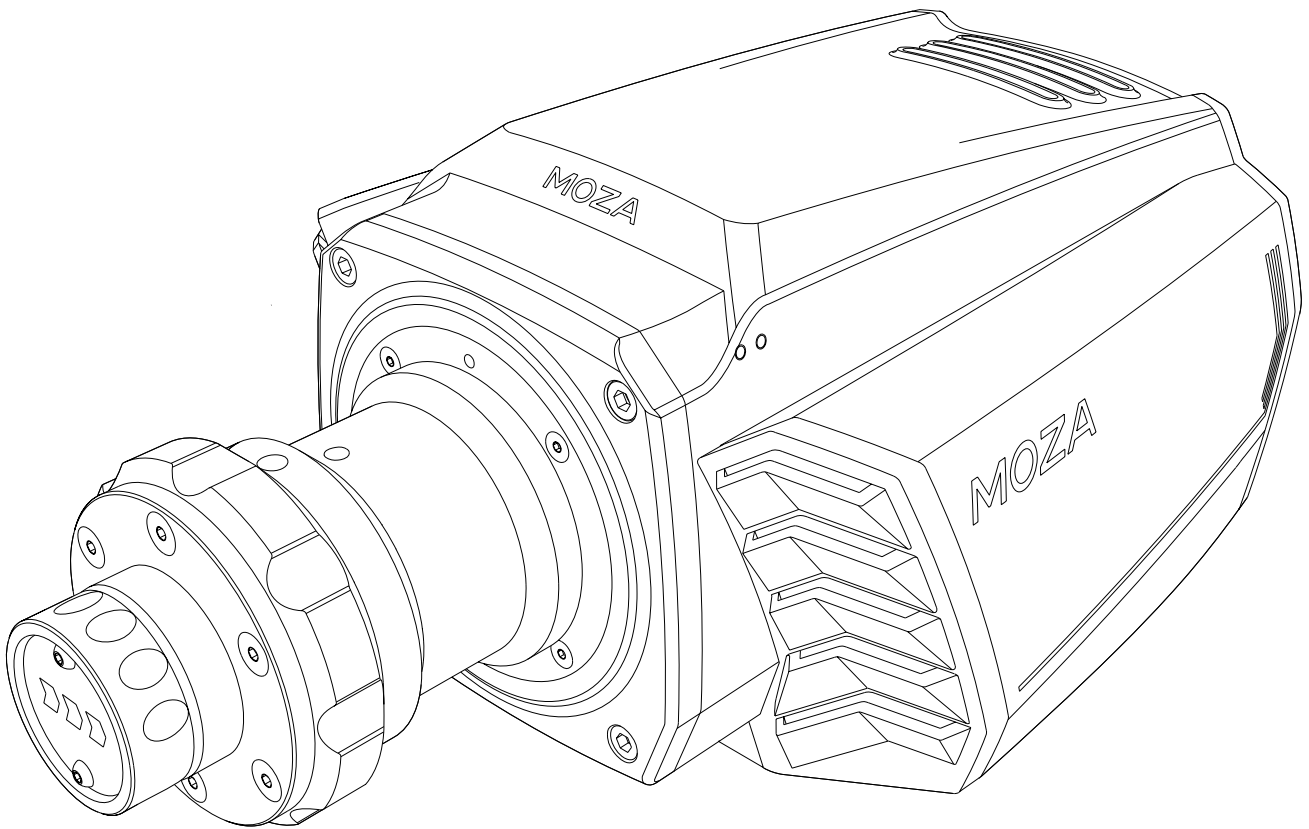


**EN**

# **MOZA R16 - R21**

## **Manual**



**MOZA**  
R A C I N G

## Warning – Electrical shock - DANGER !

- \* Do not throw it into a fire and do not expose it to high temperatures! Never dismantle the product.
- \* Do not use another power supply cable, other than the one provided with your racing wheel.
- \* Do not use the power supply cable if the cable or its connectors are damaged, split or broke, or if you notice changes over time due to mishandling;
- \* Make sure that the power supply cable is well inserted into the power socket, and properly connected to the connector at the rear of the racing wheel's base.
- \* Do not dismantle the racing wheel: you can't repair the device yourself. Any repair must be carried out by the manufacturer, its authorized representative or a qualified technician.
- \* Keep the product in a perfect dry location and do not expose it to dust or direct sunlight.
- \* Do not pull or twist on the connectors and cables!
- \* Do not pour any liquid on the product or its connectors!
- \* Do not short-circuit the product!
- \* Only use gear systems/attachment systems/accessories specified by the manufacturer.
- \* If the racing wheel is operating abnormally (if it is emitting any abnormal sounds, heat or odors), stop using it immediately, unplug the power supply cable from the electrical outlet and disconnect the other cables.
- \* Please unplug the power supply cable from the electrical outlet if you will not be using the racing wheel for an extended period of time.
- \* The electrical power socket must be located near the equipment and must be easily accessible.



**Air vents :**  
Make sure not to obstruct any air vents on the racing wheel's base.  
For a good ventilation, make sure to do the following things:

- \* Do not place the base in any tight spaces.
  - \* Do not cover the base.
  - \* Install the wheel's base at at least 10-15 cm away from any wall surfaces.
- Check in advance, and do not let any dust build up on the air vents.



Never connect or disconnect the power supply to the back of the base if it is already powered by the 220V mains socket



Always disconnect the power supply from the 220V socket if it is not in use!



If you wish to disconnect the power supply from the base:

1. unplug the power supply from the 220V power socket
2. Wait for the power LED to go OFF
3. You may remove the connector from the base

## Warning – Injuries due to Force Feedback and repeated movements

Playing with a Force Feedback racing wheel may cause pain in your muscles or joints.  
To avoid any health problems:



- \* Avoid lengthy gaming periods.
- \* Take 15 minute breaks, after each hour of play.
- \* If you feel any fatigue or pain in your eyes, head, hands, wrists, arms, feet, or legs, stop playing and rest for a few hours before you start playing again.
- \* If the symptoms or pain indicated persist when you start playing again, stop playing and consult your doctor.
- \* Keep out of children's reach.
- \* During gameplay, always leave both hands correctly positioned on the wheel without completely letting go.
- \* During gameplay, never place your hands or your fingers under the pedals or anywhere near the pedal set.
- \* During calibration and gameplay, never place your hand or your arm through the openings in the racing wheel.
- \* Make sure that the racing wheel's base is properly secured, as per this manual's instructions.



Product to be handled only by users 16 years of age or older



**HEAVY PRODUCT !**  
Be careful not to harm yourself or anyone else !



**The Moza Wheel base is very powerful !**  
if you lose control of your car and let go of the wheel during the race of a game, take hold of the wheel again by the grips only and not by the faceplate or shifter paddles, in order to avoid the risk of accidental injury.

# MOZA R16-R21 Direct Drive Wheel Base

**This product has a high force feedback strength and small parts. Children are prohibited from use without parental guidance.**

- Keep away from loose clothing and easily tangled objects such as hair, cables, skirts, etc.
- MOZA R16/R21 is ready to use right out of the box. Firmware is updated to the latest version at the factory. For more information on software updates, visit the MOZA website.
- This manual is for demonstration purposes only and cannot be used for marketing purposes. It is a general description of a single product (including related series of products). Please refer to the actual product when purchasing.
- The above product pictures and content are for demonstration purposes only. Actual product may differ slightly in external design (including but not limited to appearance, color, size) and content display (including but not limited to background, UI, pictures). Please check the actual product for reference.
- The above test data are all from the MOZA test laboratory, and may not reflect the actual performance factors due to usage conditions and environmental reasons.
- The above contents, such as descriptions, pictures, etc., are subject to change. MOZA may adjust the relevant content according to the performance and specifications of the actual product to provide more accurate product information. Product availability may fluctuate due to unforeseen issues during batch processing or delivery. In this case, MOZA may change the relevant descriptions and pictures, if necessary without prior notice, please check the relevant information through official channels.



**PLUG THE WHEEL INTO AN ELECTRICAL OUTLET: PLEASE READ !**



**Never plug the power supply into an electrical outlet with a different voltage! The power supply's voltage is indicated on the label located on the power supply transformer.**



**Never connect a power supply other than the original power supply to the base, even if the connector is compatible!**



**Before installing and using this product, please read this manual with attention, and save it for later reference.**

## Product Description

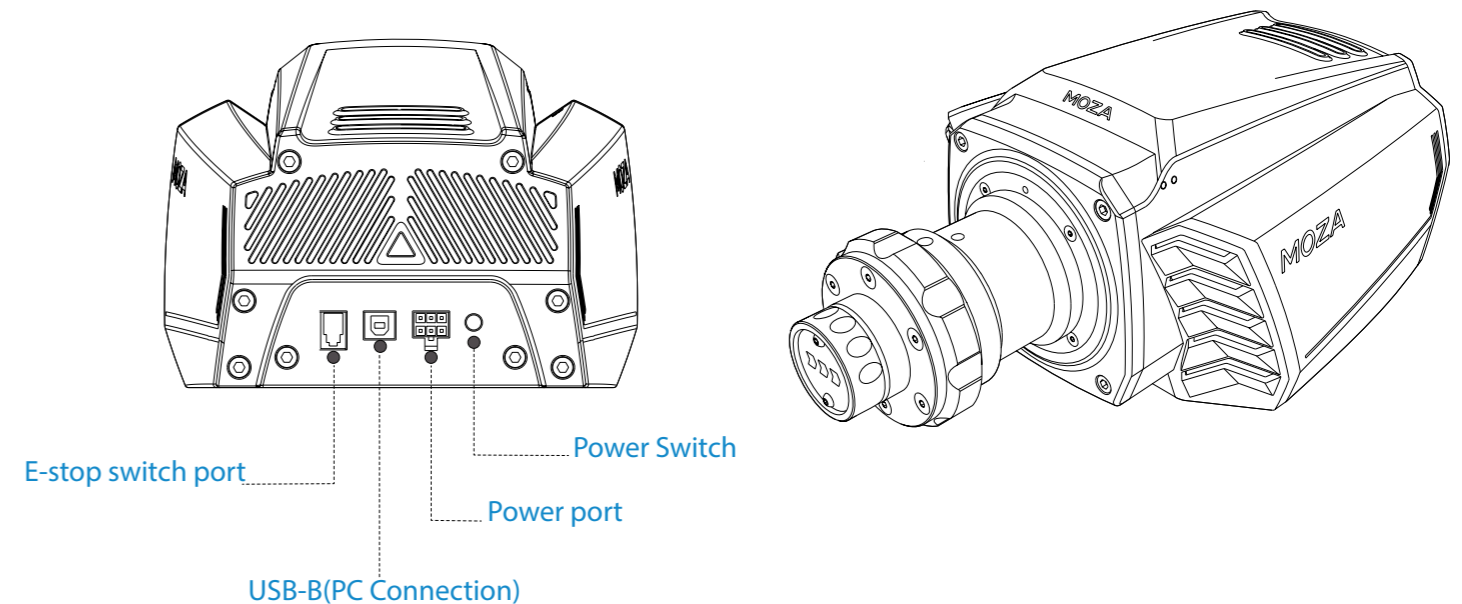
### R16

Drive form: Direct Drive.  
 Maximum Turning Angle: 1600°.  
 Encoder Resolution : 262144 ppr  
 USB Refresh Rate: 1000Hz  
 Maximum Torque: 16 N·m.  
 Maximum Power: 360W.  
 Input voltage: 110V~220V AC/36V DC.  
 Mobile App function: supported.  
 Quick release: supported.  
 Fixing method: 4 holes at the bottom  
 Emergency stop switch: optional.  
 Firmware upgrade: supported.  
 Weight: 8.9kg.

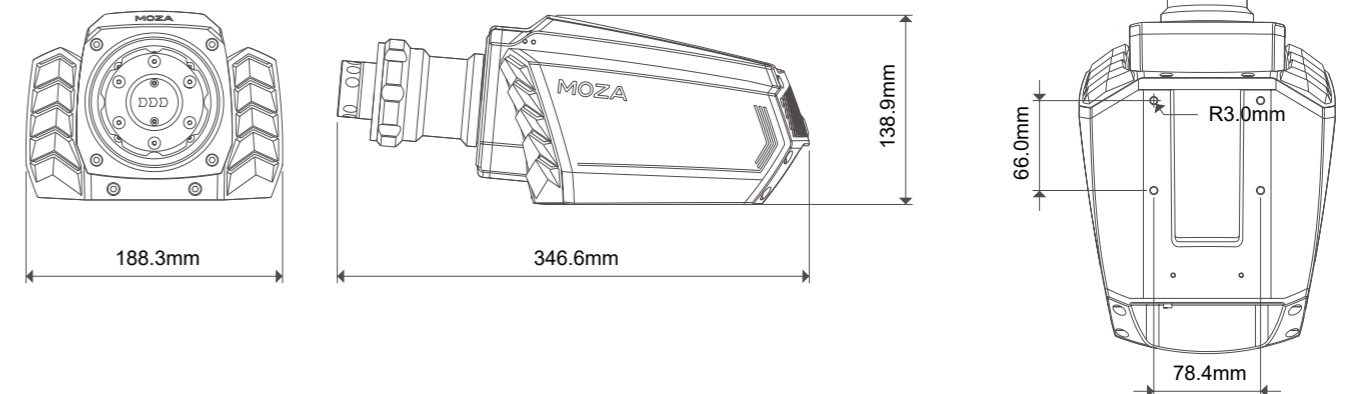
### R21

Drive form: Direct Drive.  
 Maximum Turning Angle: 1600°.  
 Encoder Resolution : 262144 ppr  
 USB Refresh Rate: 1000Hz  
 Maximum Torque: 21 N·m.  
 Maximum Power: 480W.  
 Input voltage: 110V~220V AC/36V DC.  
 Mobile App function: supported.  
 Quick release: supported.  
 Fixing method: 4 holes at the bottom  
 Emergency stop switch: optional.  
 Firmware upgrade: supported.  
 Weight: 8.9kg.

## Introduction to the Wheel Base interface



## Dimensions



## Installation Tutorial

1. Fix the base to the simulator bracket through the 4 screw holes at the bottom.  
(Desktop clamping device will be provided later)
2. Insert the Type-B end of the power cable and the USB cable into the corresponding ports on the rear of the Wheel Base respectively, connect the other end of the power cable to the 220V power socket, and connect the Type-A end of the USB cable to the PC.
3. Short press the power button on the rear of the base (short press to power on, long press to power off).
4. Download and install the MOZA Pit House software from the help center of the MOZA Racing official website ([www.mozaracing.com](http://www.mozaracing.com)).
5. For more information and teaching videos, please visit the official website ([www.mozaracing.com](http://www.mozaracing.com)).

## Precautions

- It is strictly forbidden to expose the device to rain and humidity to avoid fire/electric shock.
- It is strictly prohibited to use the device in direct sunlight.
- Recommended indoor temperature: 15°C ~ 35°C \*It is recommended that a single operation time does not exceed 1 hour. If this limit is exceeded, it is recommended to take a break every 20 minutes.
- Excessive use may cause health risks, do not operate more than 2 hours a day.
- The device is not suitable for children under the age of 16, small accessories may pose a choking hazard!
- Children under 16 must be accompanied by parents.
- It is strictly forbidden to disassemble the equipment by yourself, otherwise you will lose the qualification of the warranty.
- The equipment must be connected with the factory-supplied power supply to ensure the safety of electricity consumption and the protection of user rights and interests.
- In order to ensure related safety, parts repair or replacement can only be carried out by officially authorized repair centers.
- Non-standard power supply is prohibited even if data such as related voltages match.
- Use only AC power provided by a standard wall outlet to avoid damage to the product.
- Do not expose the device to heat sources.
- Unplug the power cord of the device if it will not be used for a long time.
- If you find any abnormality, please stop using it immediately and seek help from MOZA official or relevant authorized center.
- Please pay attention to MOZA official website and public platform for the latest related product.

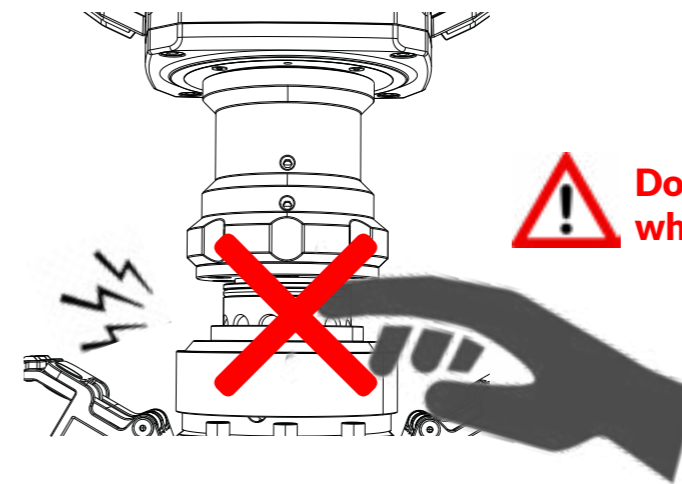


**This product use is limited to activities related to simulated driving, please distinguish between simulated games and reality to ensure safe driving.**

## Warning !

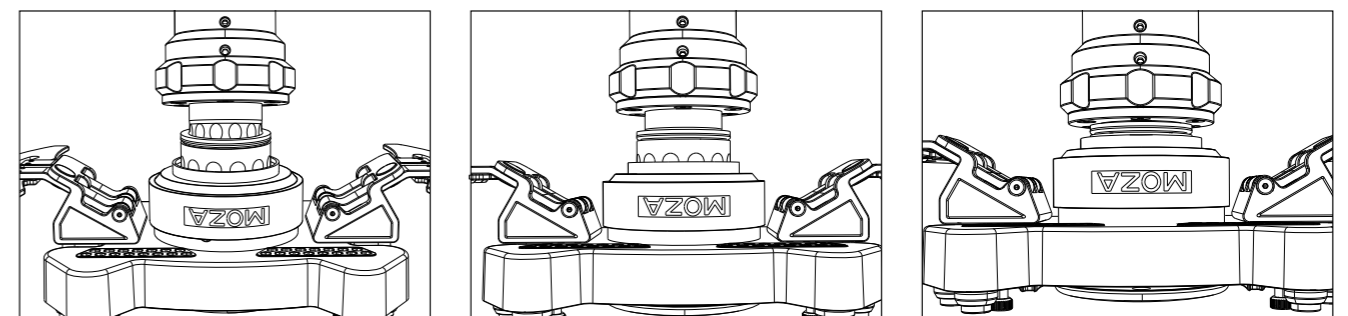


**Watch your hands ! **  
**Wearing Racing gloves is recommended to protect your hands, and protect the steering wheel grip.**



**Do not leave your fingers behind when locking the quick release.**

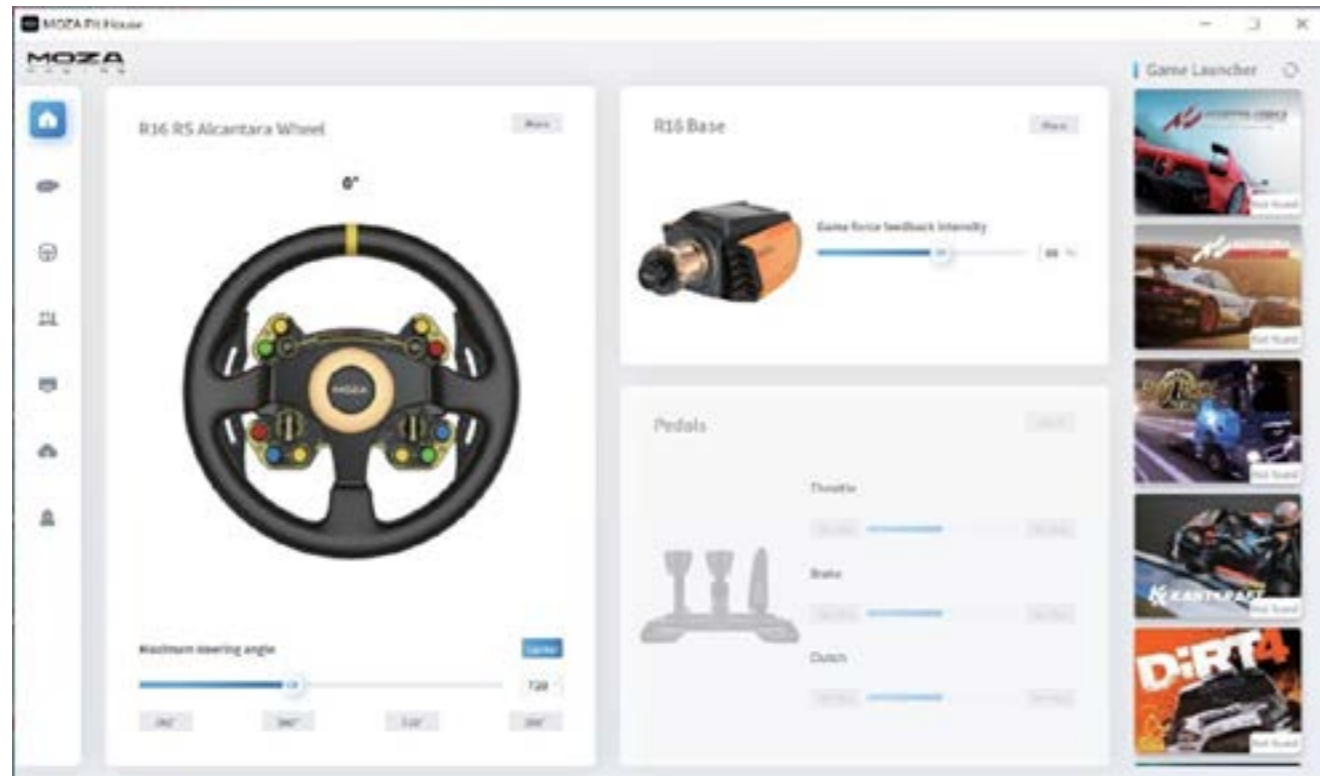
## Steps of quick release



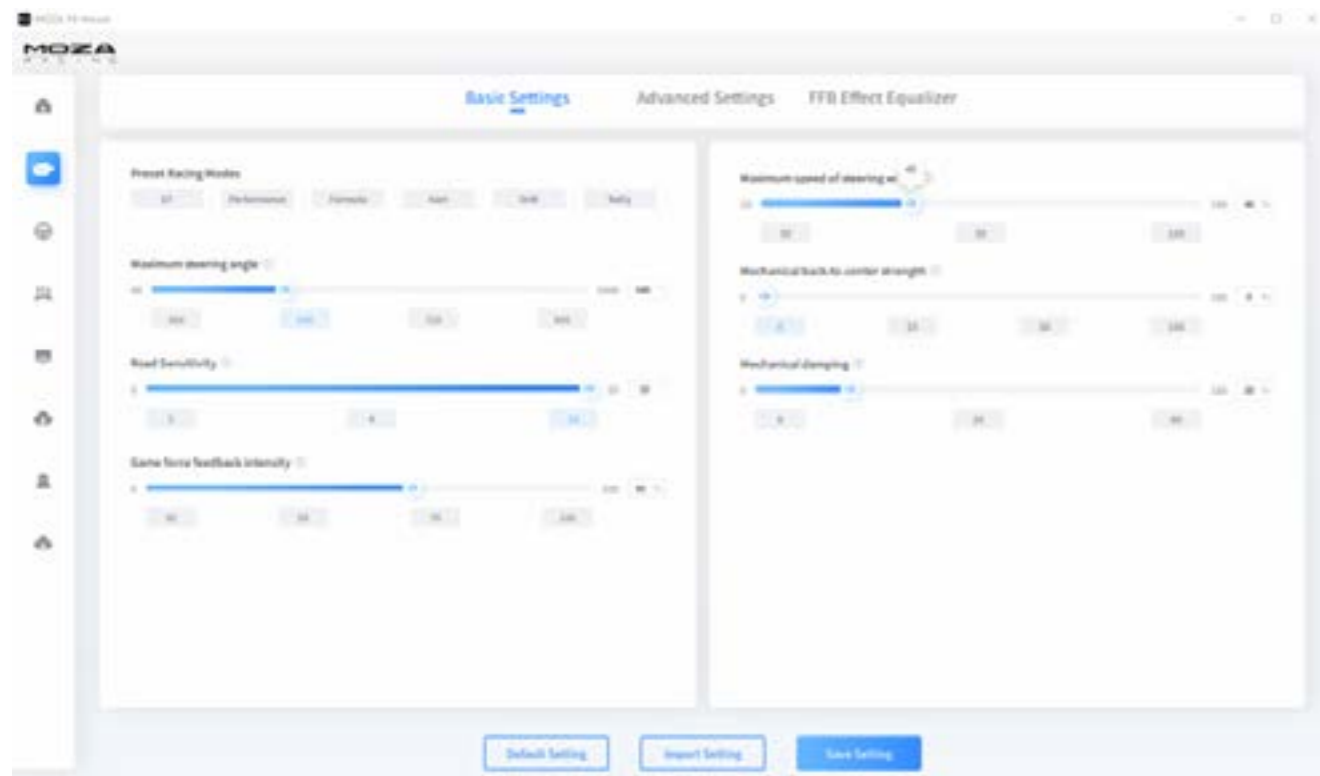
1. Match the position of the 6 steel balls on the female quick release head of the steering wheel to the 6 grooves on the quick release male head of the base.
2. Press the quick release to the direction of the panel.
3. Quick release will automatically return to the position and lock, if there is no return, you can try to rotate the panel slightly or remove it before installing.
4. If you need to remove the disk surface, pinch the golden part with both hands, and pull out the disk surface at the same time

# Software Introduction

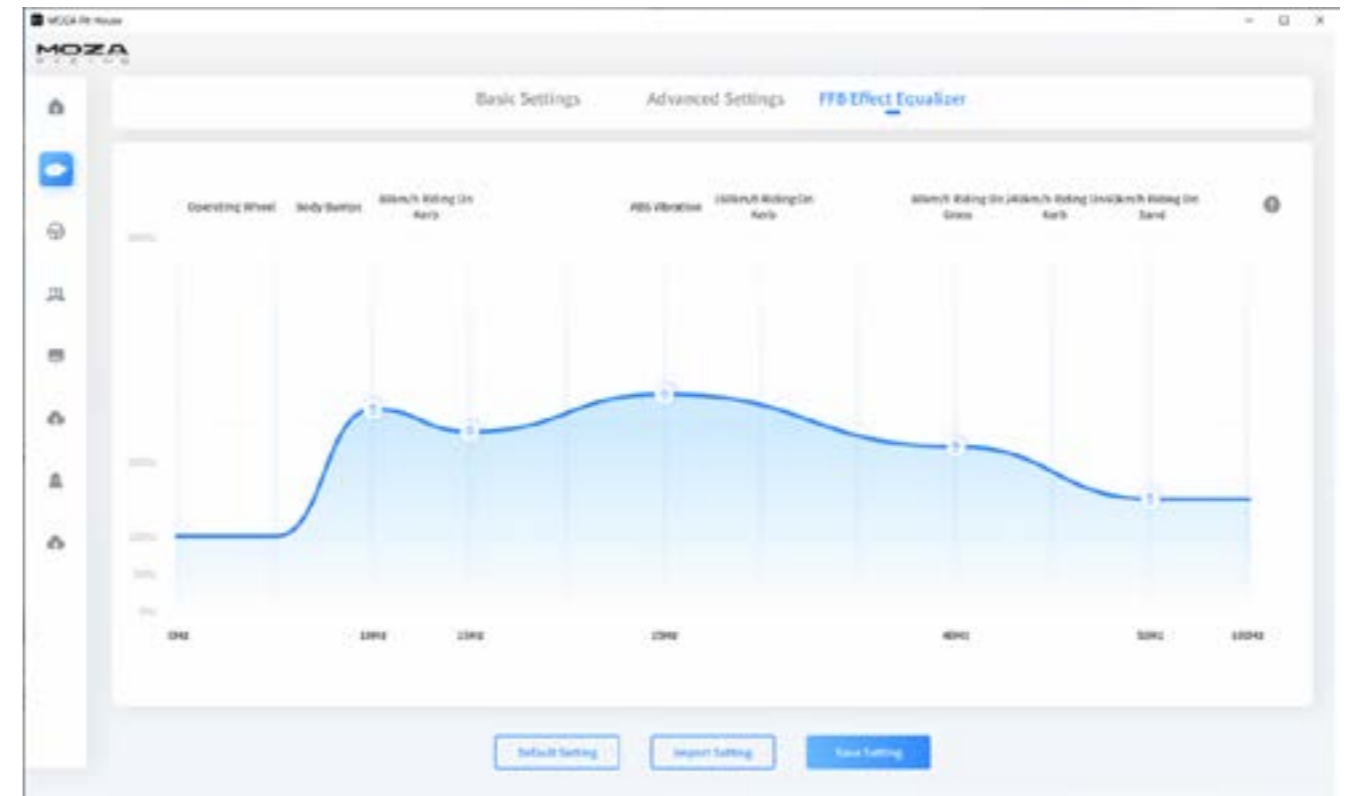
On the main page, you can view the working status of each connected device, set the Wheel Base angle, force feedback, pedals, steering wheel and meters, etc., and you can quickly start the game.



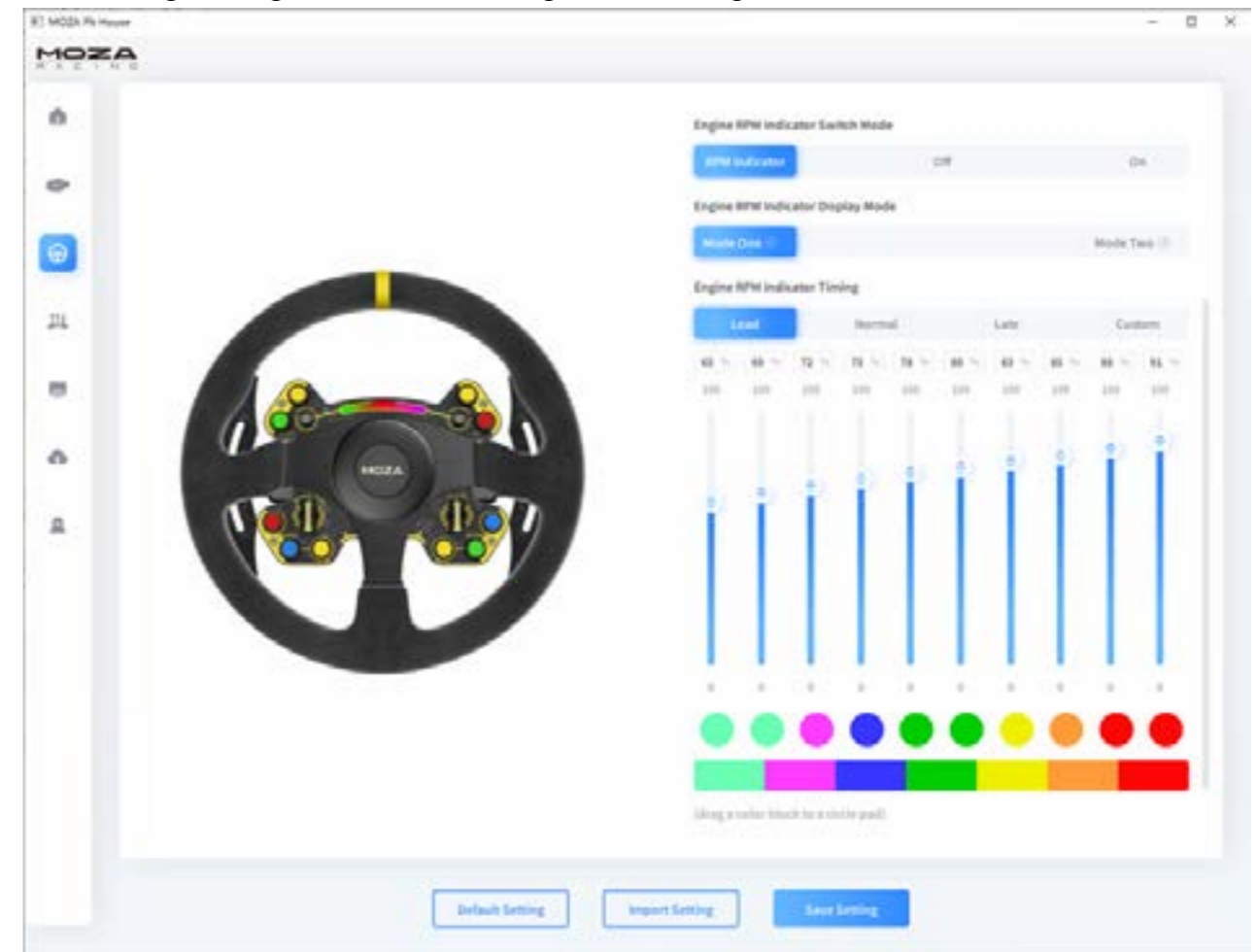
Basic settings help beginner players quickly match the right feel; professional settings allow advanced players to call up surprising and exclusive force.



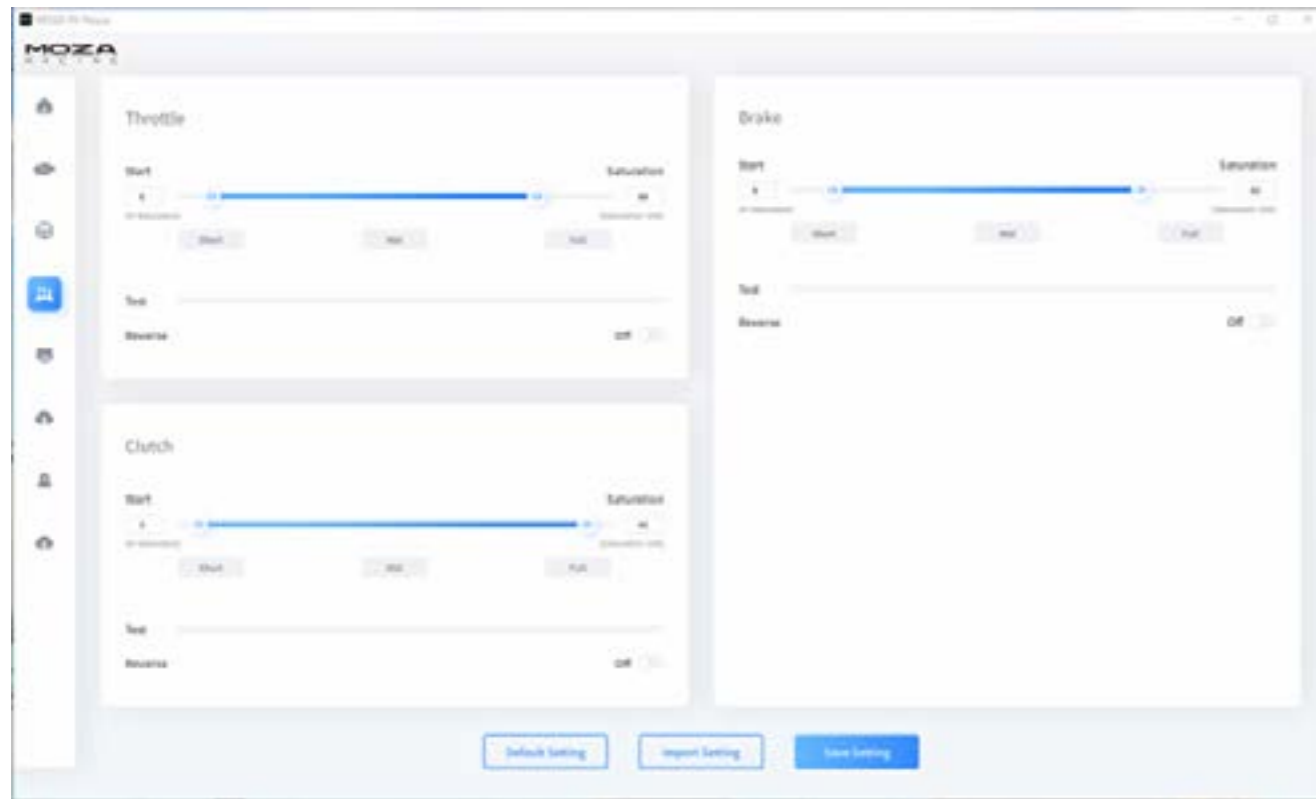
The innovative introduction of the road feeling equalizer system allows users to adjust the road feeling feedback of the steering wheel according to their preferences and different venue environments.



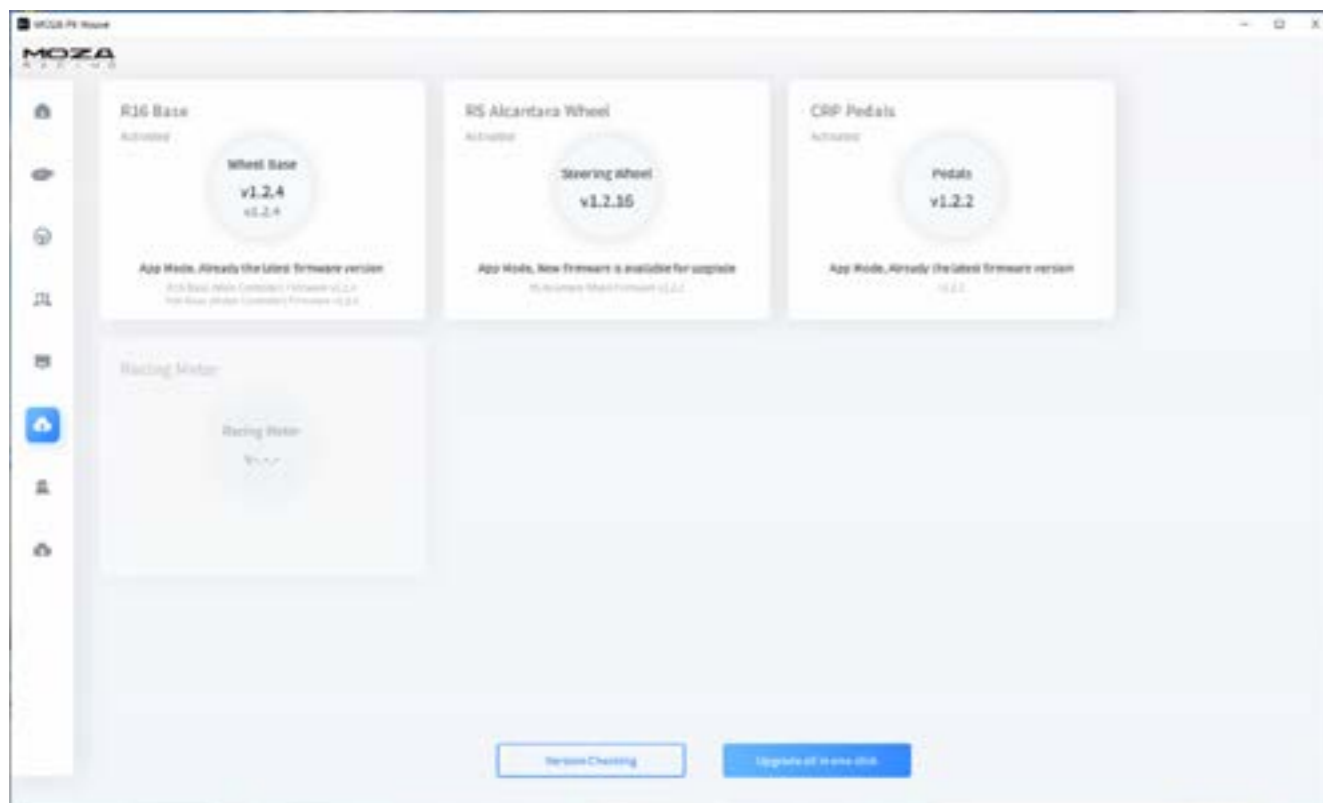
The color of the steering wheel shift indicator light can be freely selected in the control center, and the color change timing can be set according to the shifting habits.



Quickly adjust the pedal stroke to enrich the foot feel to meet individual needs.



Upgrade the ecosystem of Moza Racing suite with one click and easily enjoy the latest functional experience.



**ENVIRONMENTAL PROTECTION RECOMMENDATION**

In the European Union: At the end of its working life, this product should not be disposed of with standard household waste, but rather dropped off at a collection point for the disposal of Waste Electrical and Electronic Equipment for recycling.

Depending on their characteristics, the materials may be recycled. Through recycling and other forms of processing Waste Electrical and Electronic Equipment, you can make a significant contribution towards helping to protect the environment.

Please contact your local authorities for information on the collection point nearest you.

**WARRANTY**

France Simulateur SARL, ensures the consumer that Moza Racing products purchased on its websites or in its stores, the name and address of the customer, the order number, the date of order and the serial number of the product as a reference, must be free of defects of materials and fabrication, for a period of guarantee that corresponds to the time to initiate an action in conformity on this product. In the European Union, this corresponds to a period of two (2) years from the delivery of the product.

In case if the product proves to be defective during the warranty period, please contact Technical Support immediately, who will advise you on the procedure to follow. If the defect is established, the product must be returned to the place of purchase.

Under the terms of this warranty, the consumer's defective product must, at the request of Technical Support, be replaced or restored to functionality.

This warranty does not apply:

- 1.If the product has been modified, opened, altered, or damaged as a result of improper or abusive use, or negligence, an accident, normal use, or any other cause not related to a defect of material or construction.
- 2.During the warranty period, France Simulateur will not, in principle, provide any spare parts, as the support is the only one authorized to open and/or recondition any Moza Racing product.
- 3.If the product was used for a use other than domestic, including at professional ends or commercial ends (rooms of plays, trainings, competitions, events)
- 4.Under no circumstances, France Simulateur can not be held responsible for any direct or indirect consequences of the adaptation of accessories other than the brand MOZA Racing

**SUPPORT**



**SUPPORT**



**Official and Authorized MOZA RACING Distributor:**

FRANCE SIMULATEUR SARL  
 RSEAT EUROPE  
 692, RUE A. SCHEURER KESTNER  
 68700 ASPACH-MICHELBACH  
 FRANCE  
 SIRET : 538533779 00038

