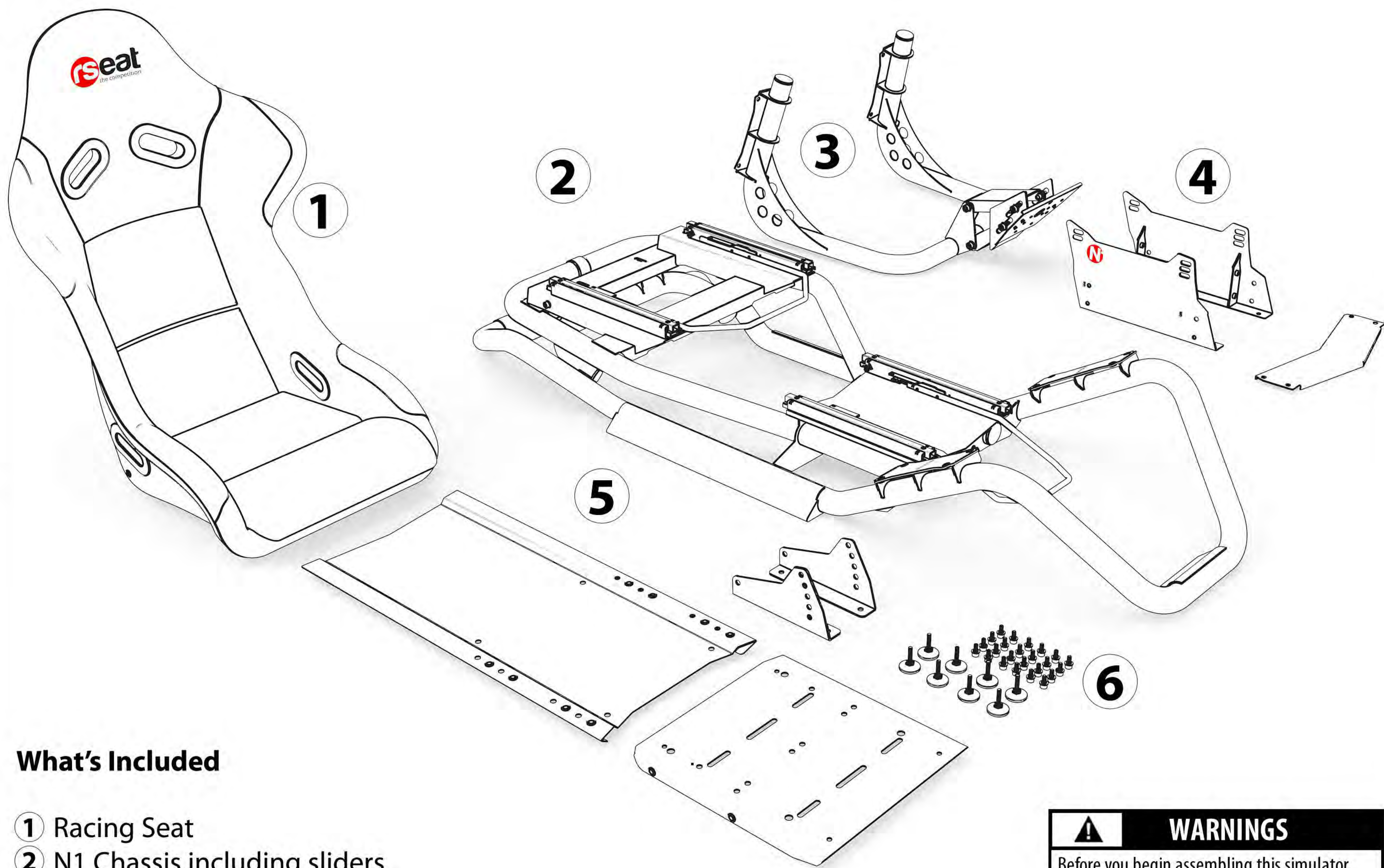


### ASSEMBLY INSTRUCTIONS RSEAT N1

Thank you for choosing RSEAT. This instruction is developed to assist you in assembling of RSEAT N1.



#### What's Included

- ① Racing Seat
- ② N1 Chassis including sliders for the seat and pedals
- ③ Wheel Console mount
- ④ Seat Mount for the N1 chassis
- ⑤ Slider adjustable Pedal Mount
- ⑥ Screws and tools for the Assembly

#### WARNINGS

Before you begin assembling this simulator, please read all installation instructions and warnings thoroughly.

**FAILURE TO COMPLY WITH OR OBSERVE ALL ASSEMBLY, SAFETY AND OPERATION INSTRUCTIONS AND WARNINGS REGARDING THE USE OF THIS PRODUCT MAY RESULT IN SERIOUS BODILY INJURY.**

This simulator complies with the prescribed safety regulations. Inappropriate use may cause damage to persons and simulator.

**BOX1**

#### **BOX1 (the bigger box)**

Contain the RSEAT N1 Chassis (2) including the Pedals Mount assembled (5) and the Seat Mount (4)

**BOX2**

**BOX2** Contain the RSEAT N1 Seat (1) and the wheel mount (3)



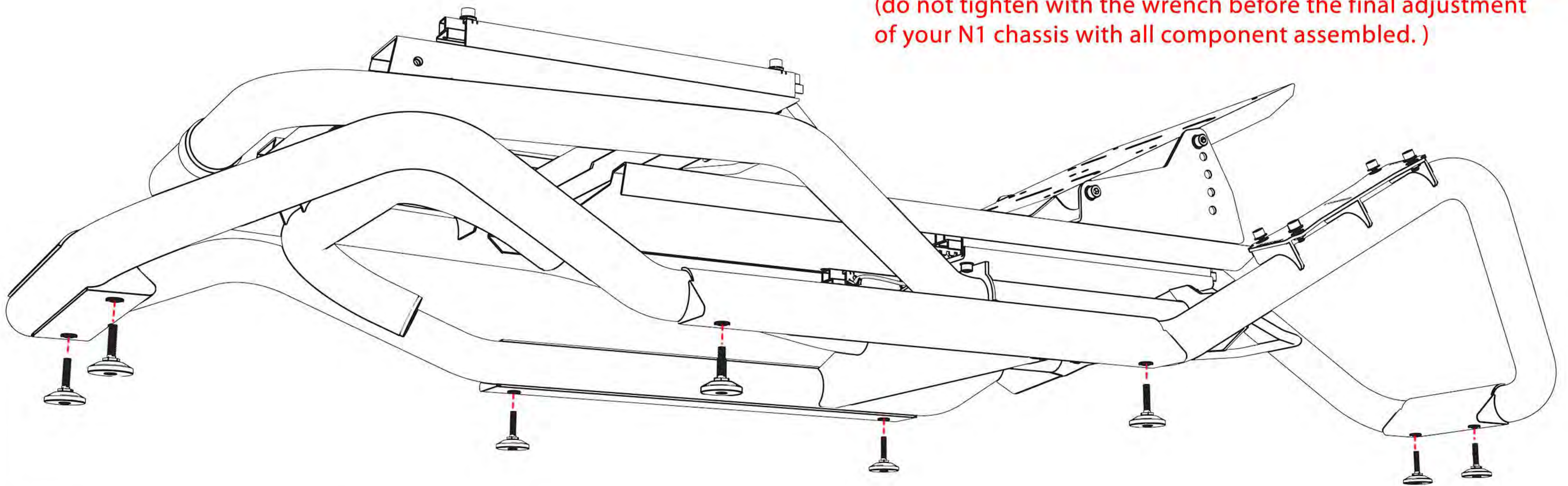
# RSEAT N1 CHASSIS Assembly

Bring the N1 chassis of box 1. Remove all the transport packaging including carton protection and Stretch wrap film.

**1**

Install the 8 x foot steps (M8 thread) to the N1 chassis. Use the 10mm wrench provided to adjust later on when you final adjust the chassis to the floor.

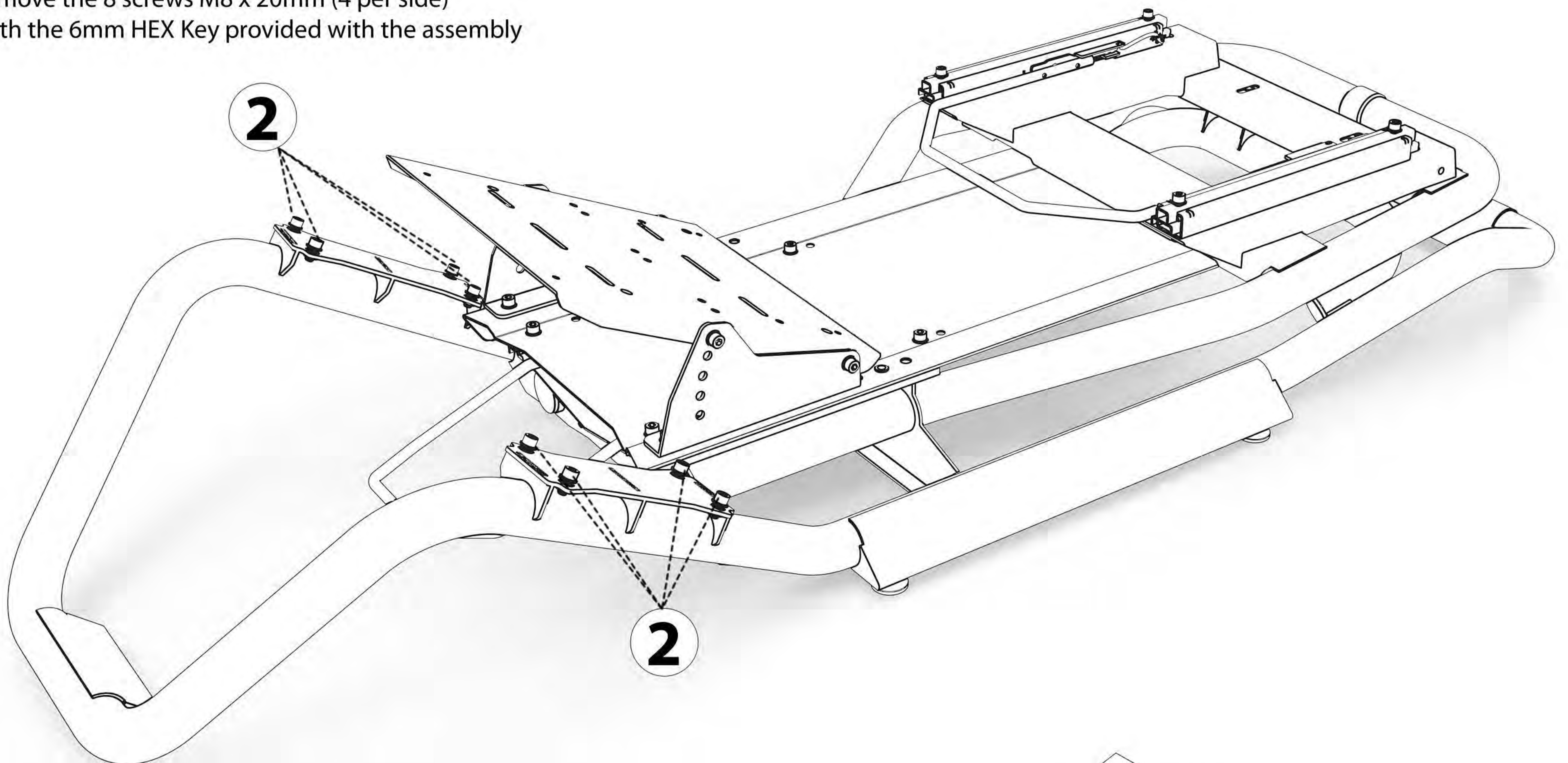
**IMPORTANT!** Screw the foot steps to the bottom of the chassis by hand (do not tighten with the wrench before the final adjustment of your N1 chassis with all component assembled.)



**2**

Remove the 8 screws M8 x 20mm (4 per side) with the 6mm HEX Key provided with the assembly

**2**

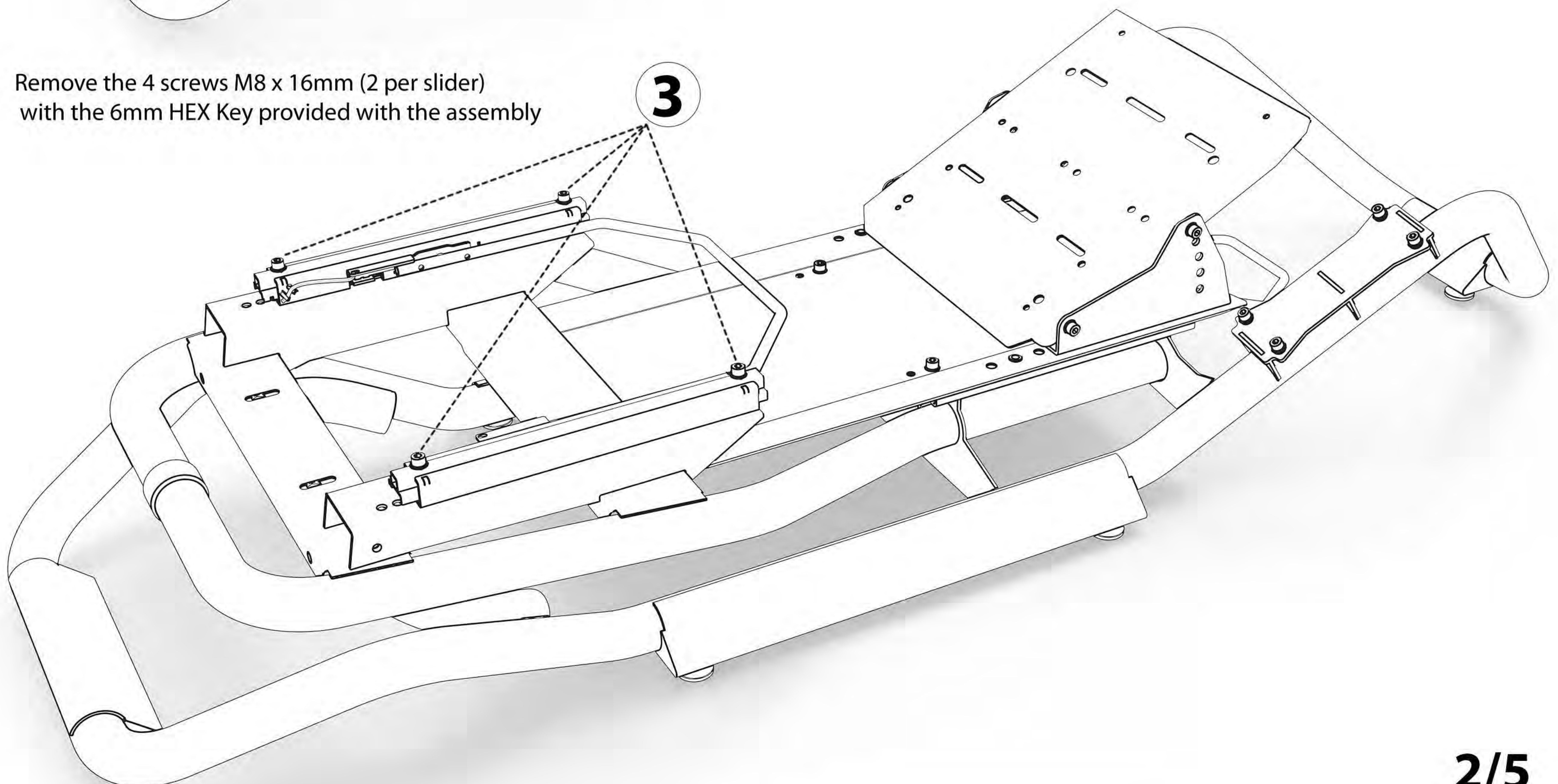


**2**

**3**

Remove the 4 screws M8 x 16mm (2 per slider) with the 6mm HEX Key provided with the assembly

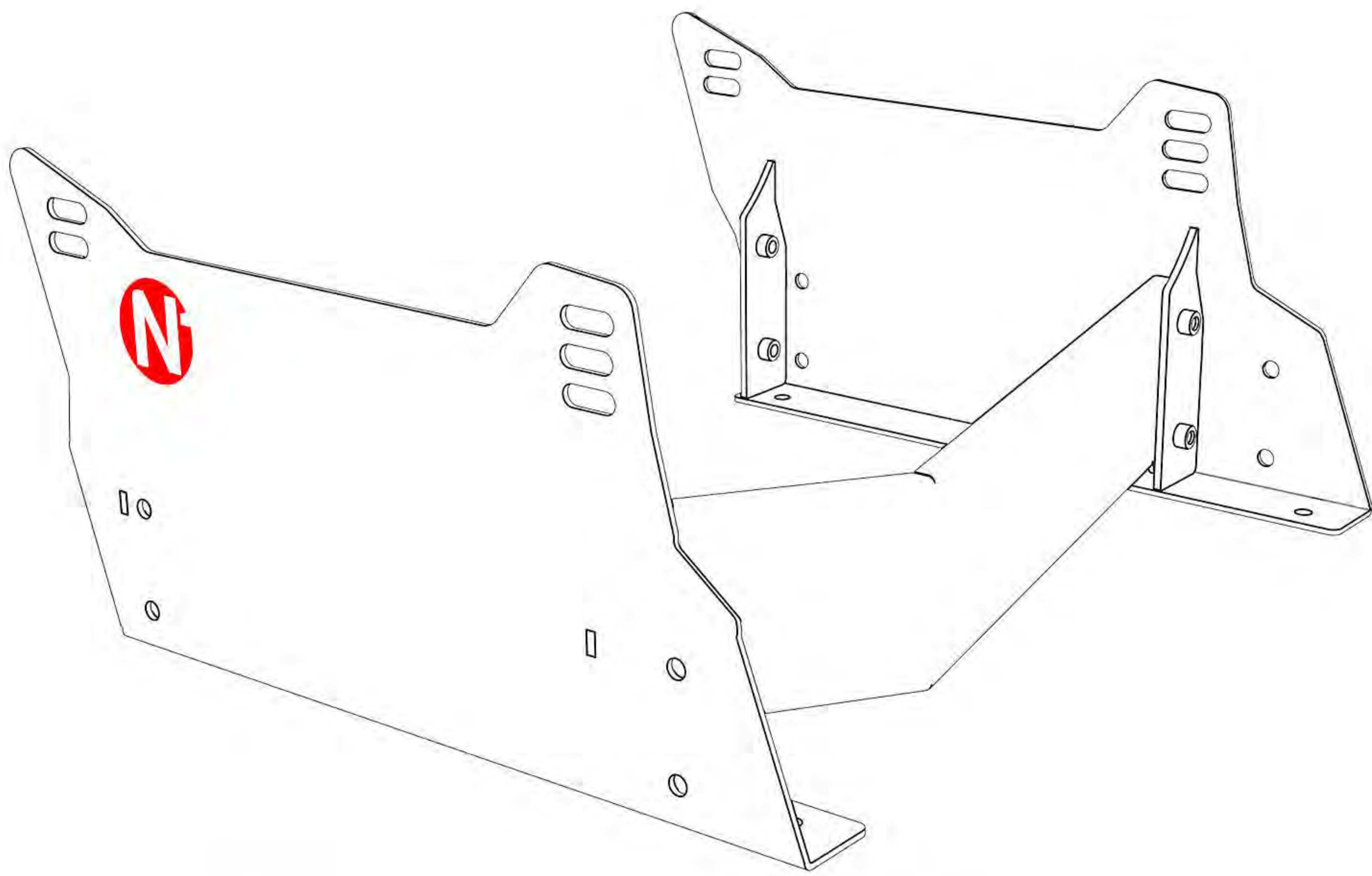
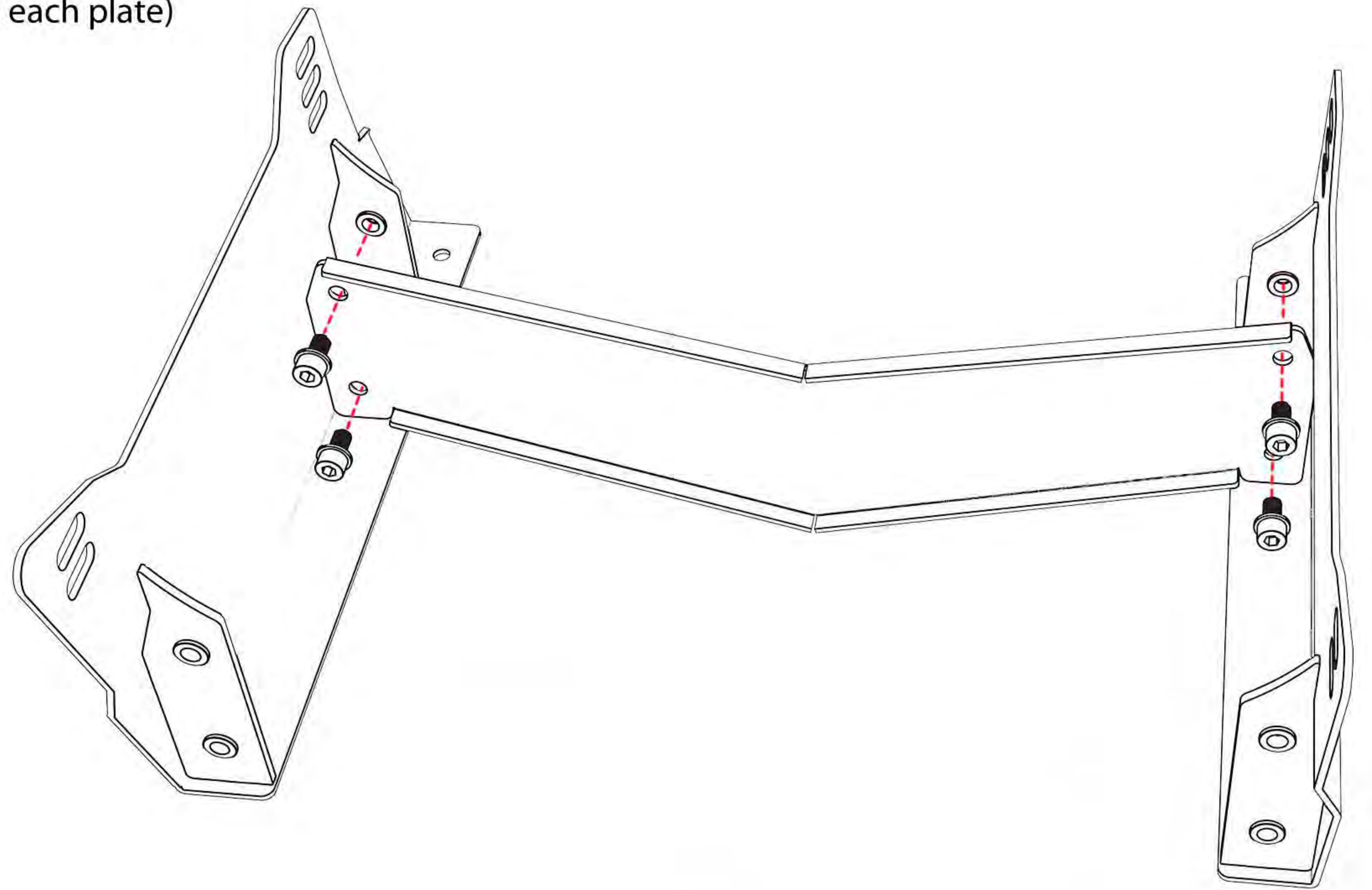
**3**





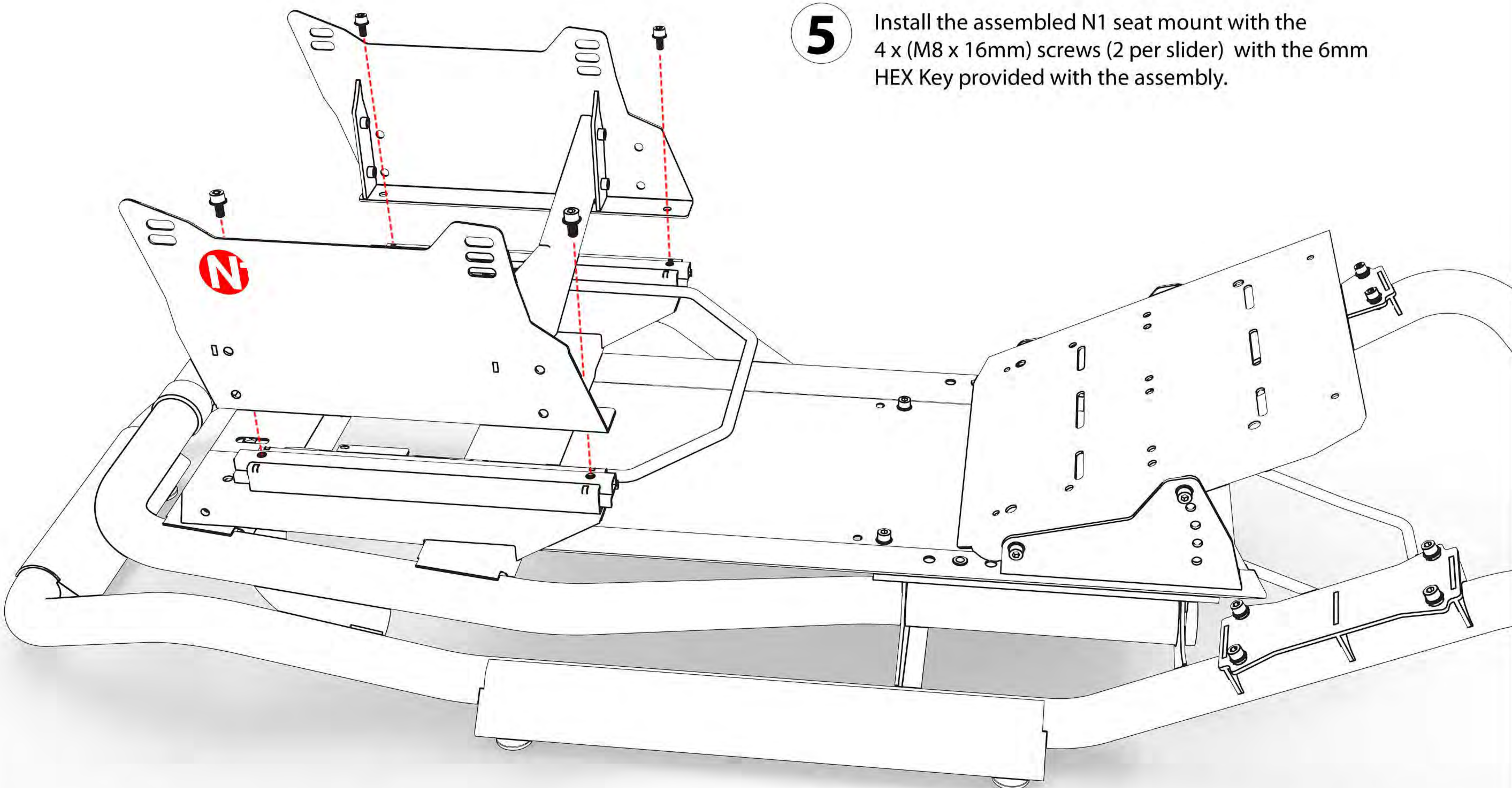
4

Install the Seat mount support bracked with 4 x (M8 x 20mm) screws (2 per side)(\* the screws needed are located on each plate) Install as shown on the image.



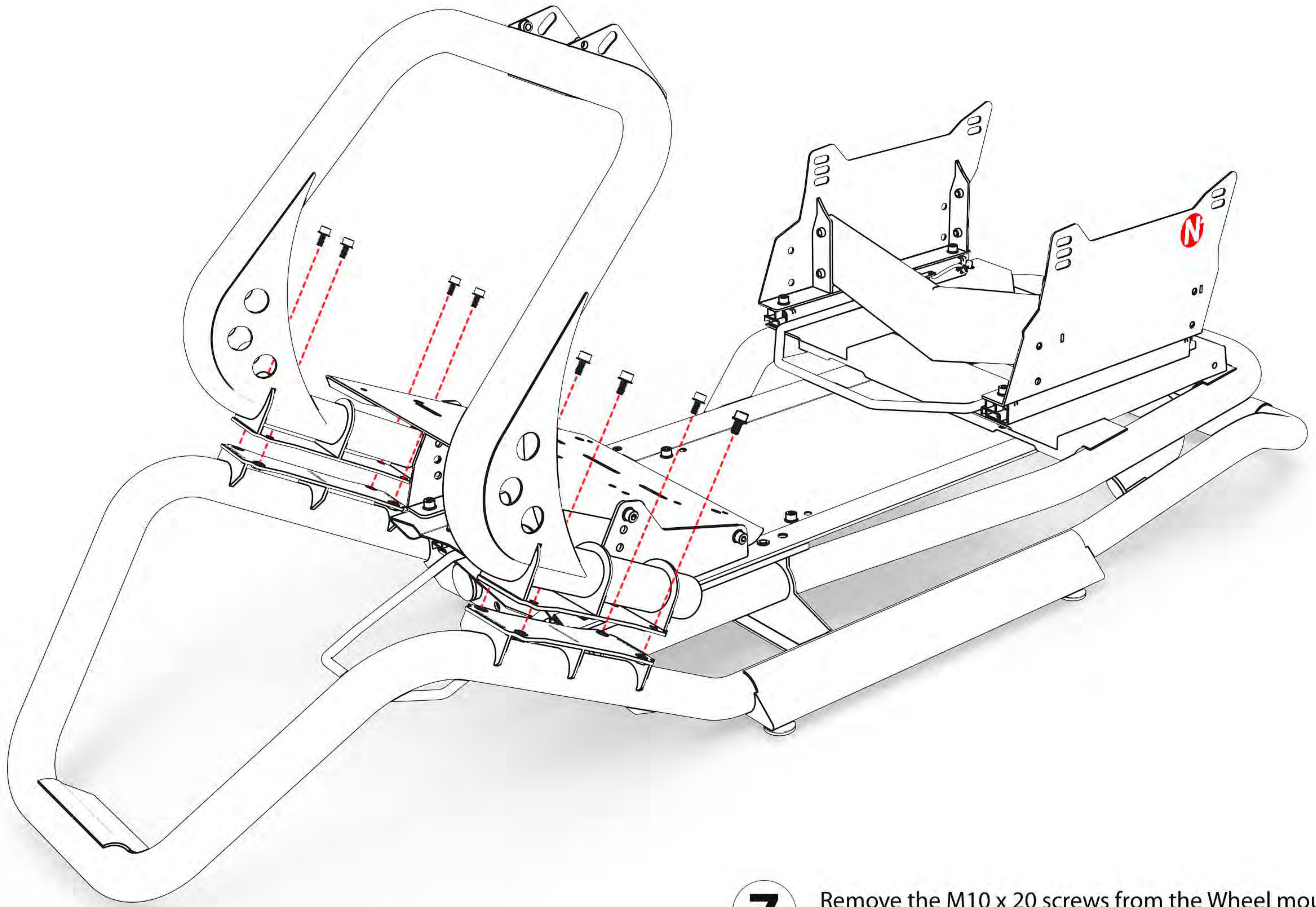
5

Install the assembled N1 seat mount with the 4 x (M8 x 16mm) screws (2 per slider) with the 6mm HEX Key provided with the assembly.

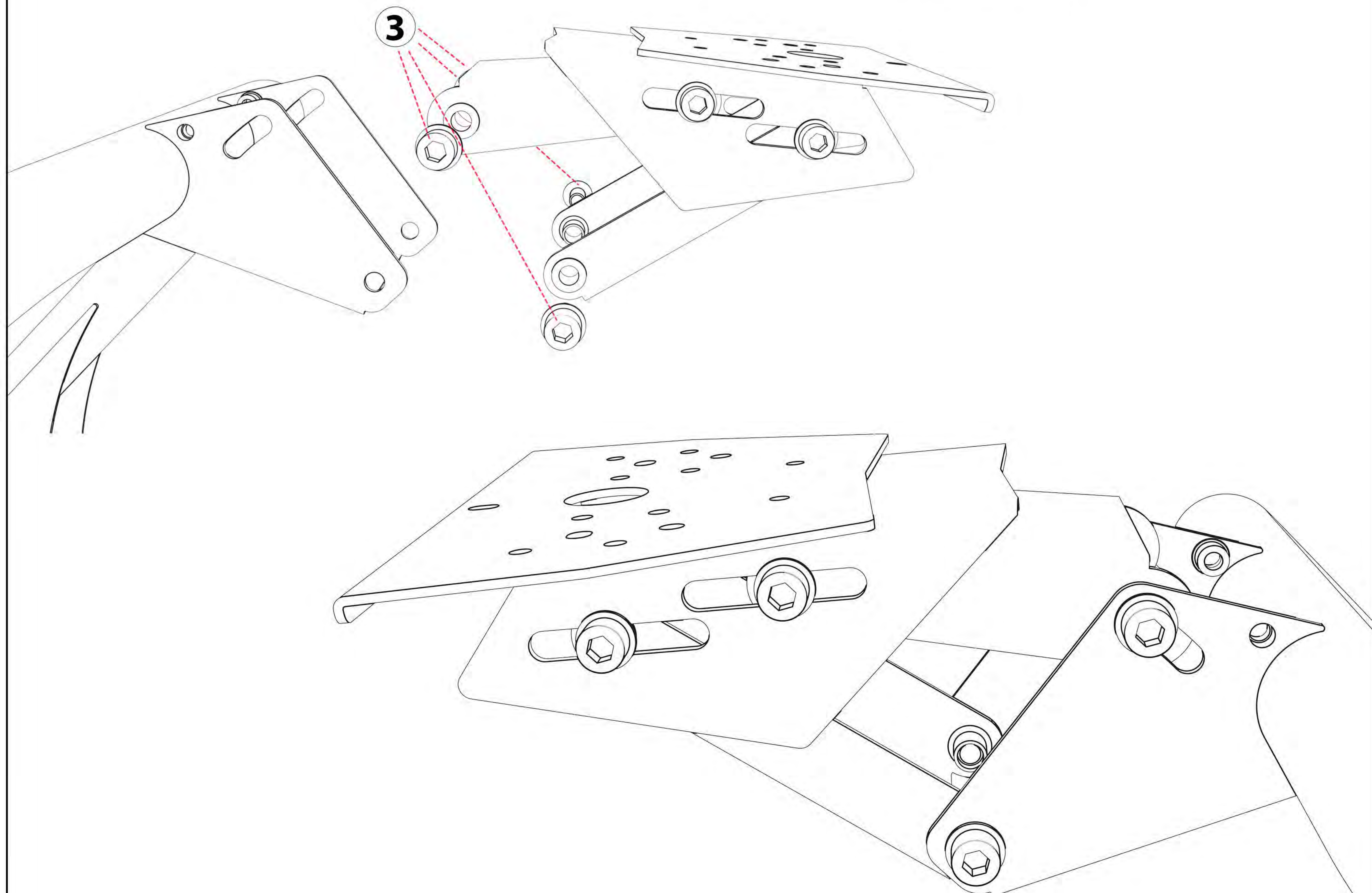




- 6** Install the N1 Wheel mount support with 8 x (M8 x 20mm) screws (4 per side)  
Install as shown on the image.



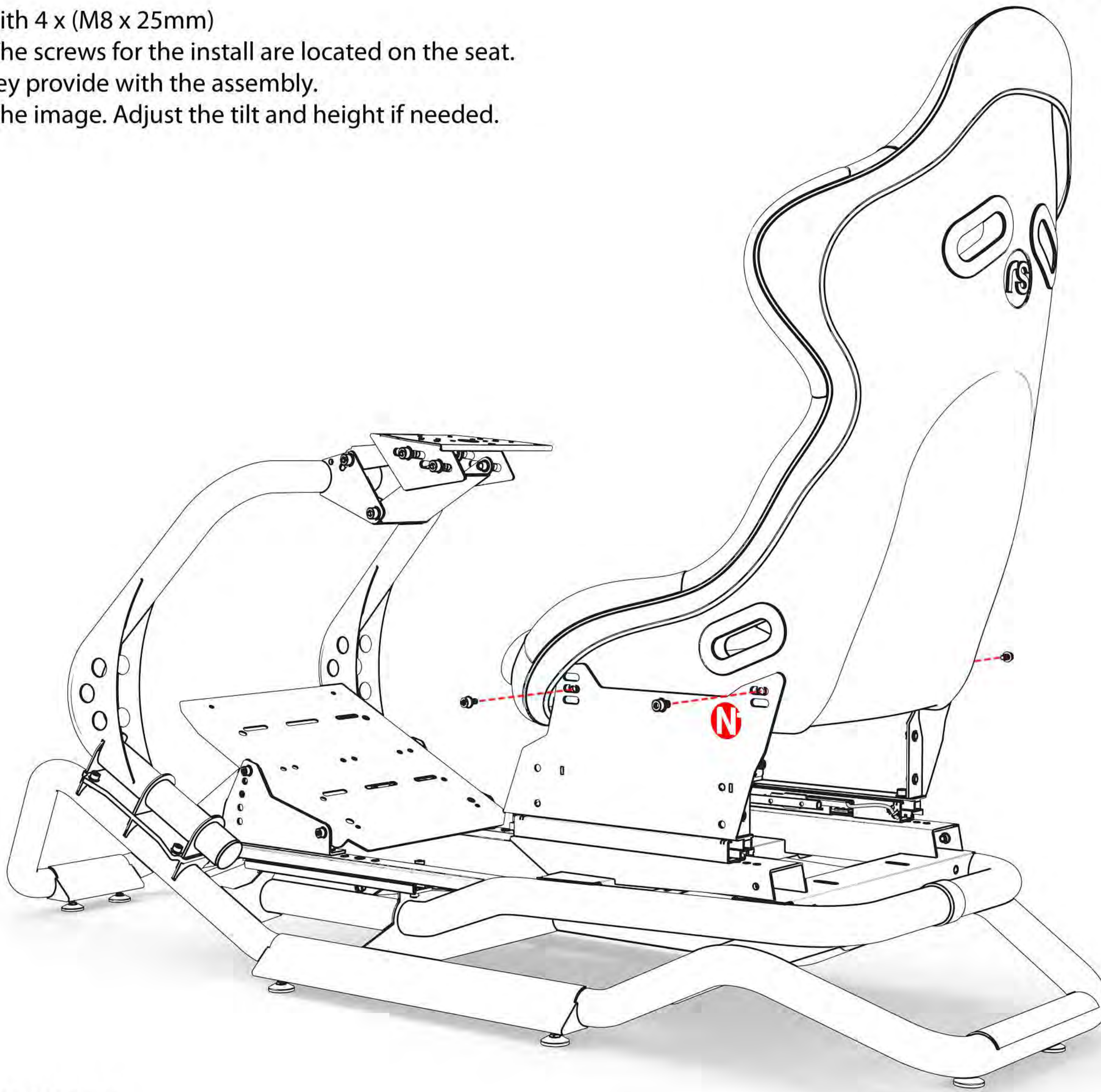
- 7** Remove the M10 x 20 screws from the Wheel mount bracket. Install the N1 Wheel mount bracket using the 8mm HEX Key provided with the assembly. Install as shown on the image below.





**8**

Install the N1 Seat with 4 x (M8 x 25mm) screws (2 per side). The screws for the install are located on the seat. Use the 6mm HEX Key provide with the assembly. Install as shown on the image. Adjust the tilt and height if needed.

**9**

RSEAT N1 Chassis is ready to use.  
You can now install upgrades if any.

- 1 To Adjust the wheel position use the 8mm HEX Key
- 2 To adjust the pedals angle use the 6mm HEX Key.
- 3 To Adjust the seat position use the 6mm HEX Key.
- 4 Seat slider bar. Pull and slide the seat front-back
- 5 Pedals slider bar. Pull and slide the pedals front-back

