

ASSEMBLY INSTRUCTIONS RSEAT N1 BUTTKICKER MOUNT UPGRADE KIT

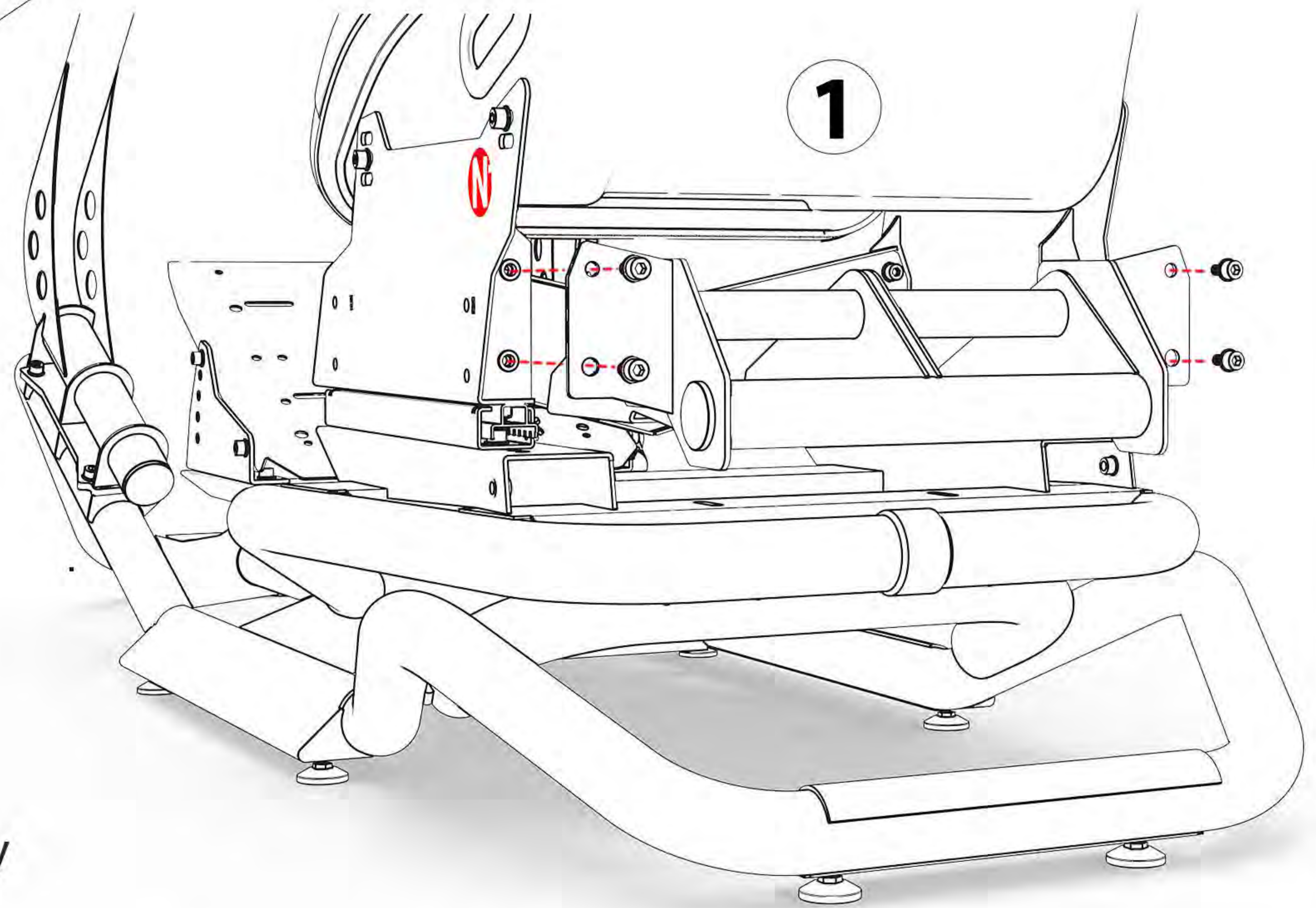
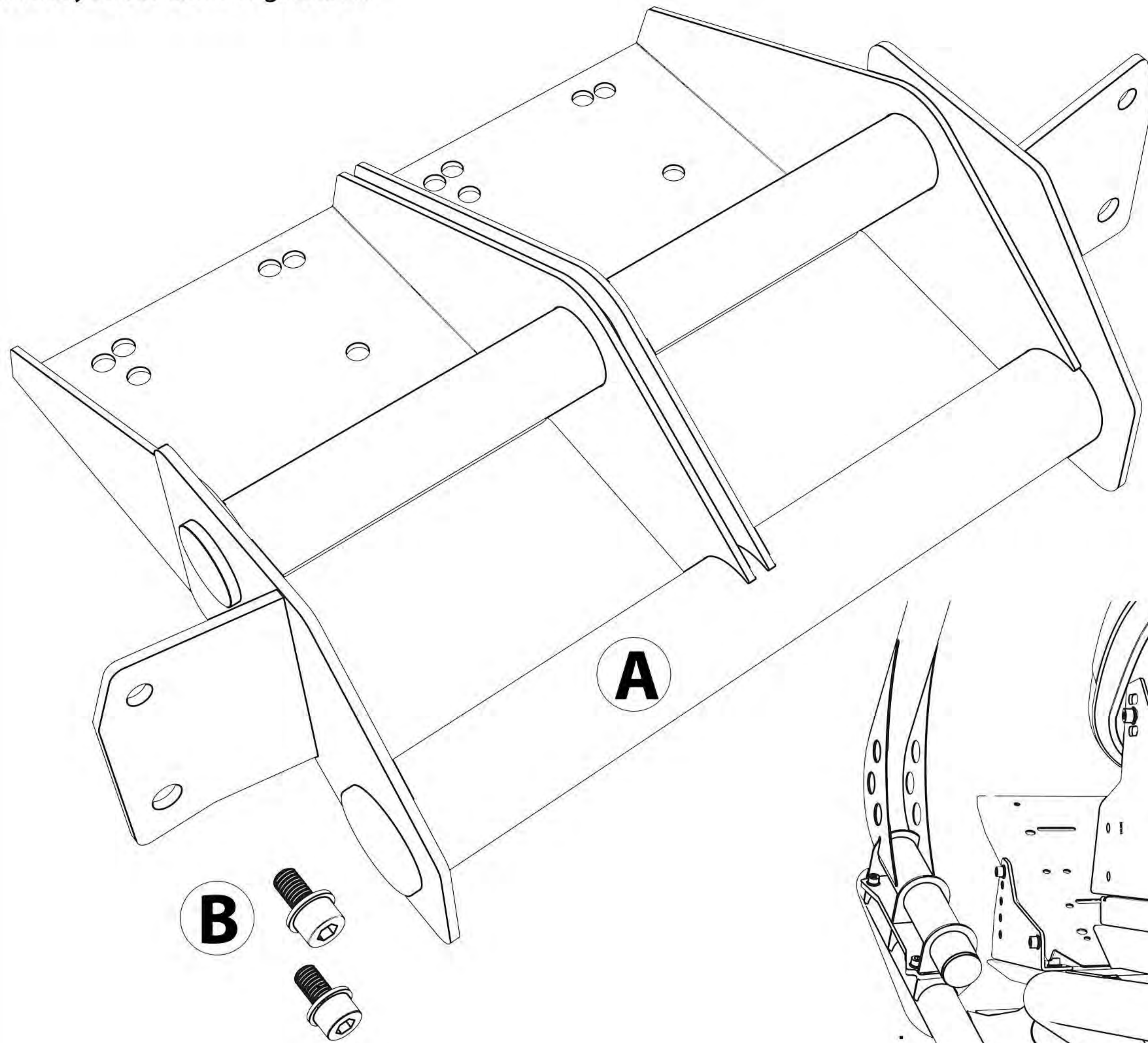
Thank you for choosing RSEAT.

⚠ WARNINGS

Before you begin assembling this simulator, please read all installation instructions and warnings thoroughly.

FAILURE TO COMPLY WITH OR OBSERVE ALL ASSEMBLY, SAFETY AND OPERATION INSTRUCTIONS AND WARNINGS REGARDING THE USE OF THIS PRODUCT MAY RESULT IN SERIOUS BODILY INJURY.

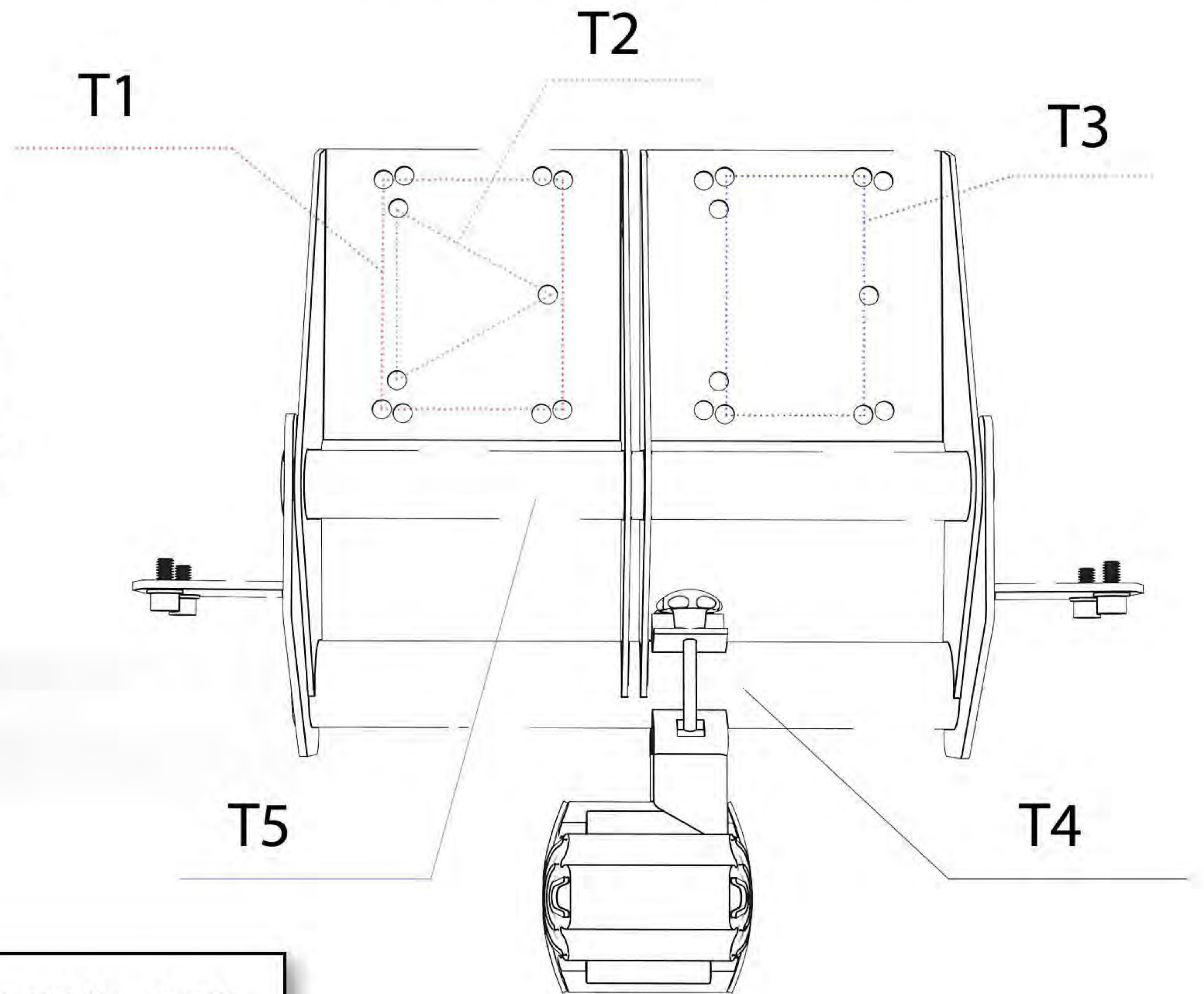
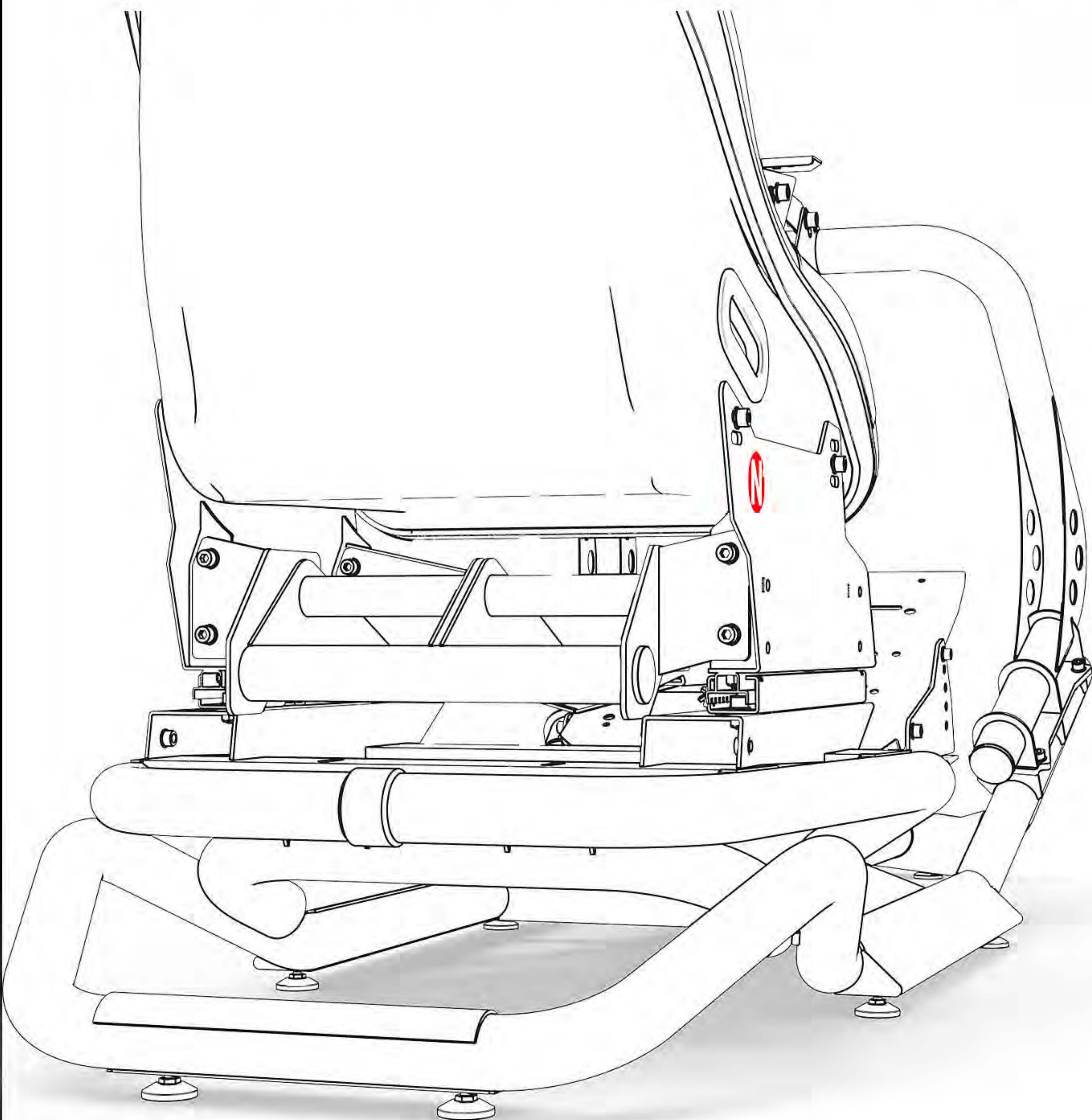
This simulator complies with the prescribed safety regulations. Inappropriate use may cause damage to persons and simulator.



What's Included

- A** RSEAT N1 ButtKicker mount upgrade kit
- B** 4 x (M8 x 20) screws with washers, 6mm HEX Key

1 Install the ButtKicker Mount Upgrade kit to the N1 chassis with 4 screws M8 x 20mm (2 per slider) with the 6mm HEX Key provided with the assembly



T1 - 114.3mm(4.5inch) x 88.9mm (3.5inch)	T4 - ButtKicker THMP1
T2 - 118.23mm(4.655inch) x 68.27 (2.688inch)	T5 - ButtKicker Gamer 2
T3 - 85.57(3.37inch) x 85.57(3.37inch) x 85.57(3.37inch)	