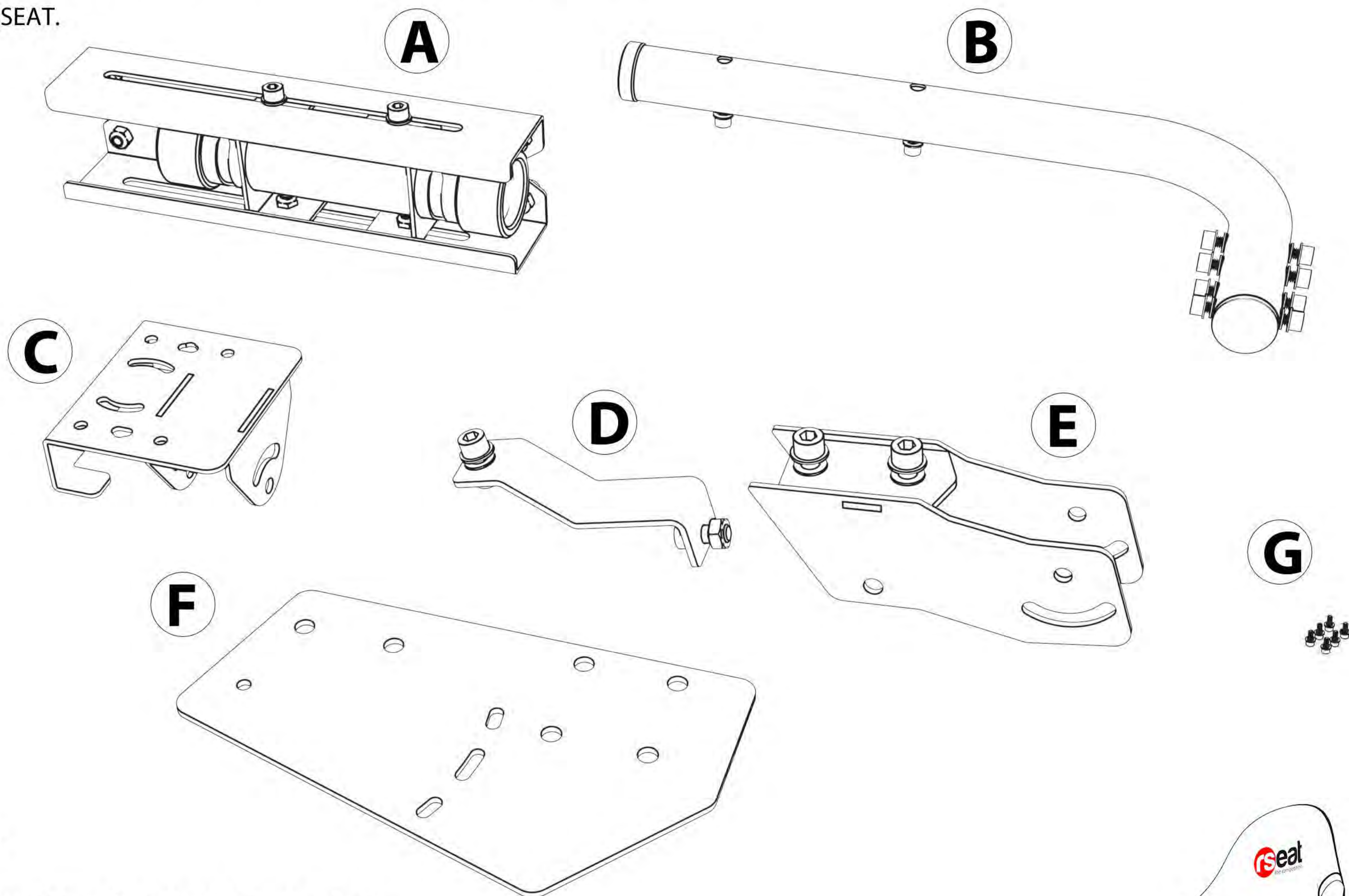


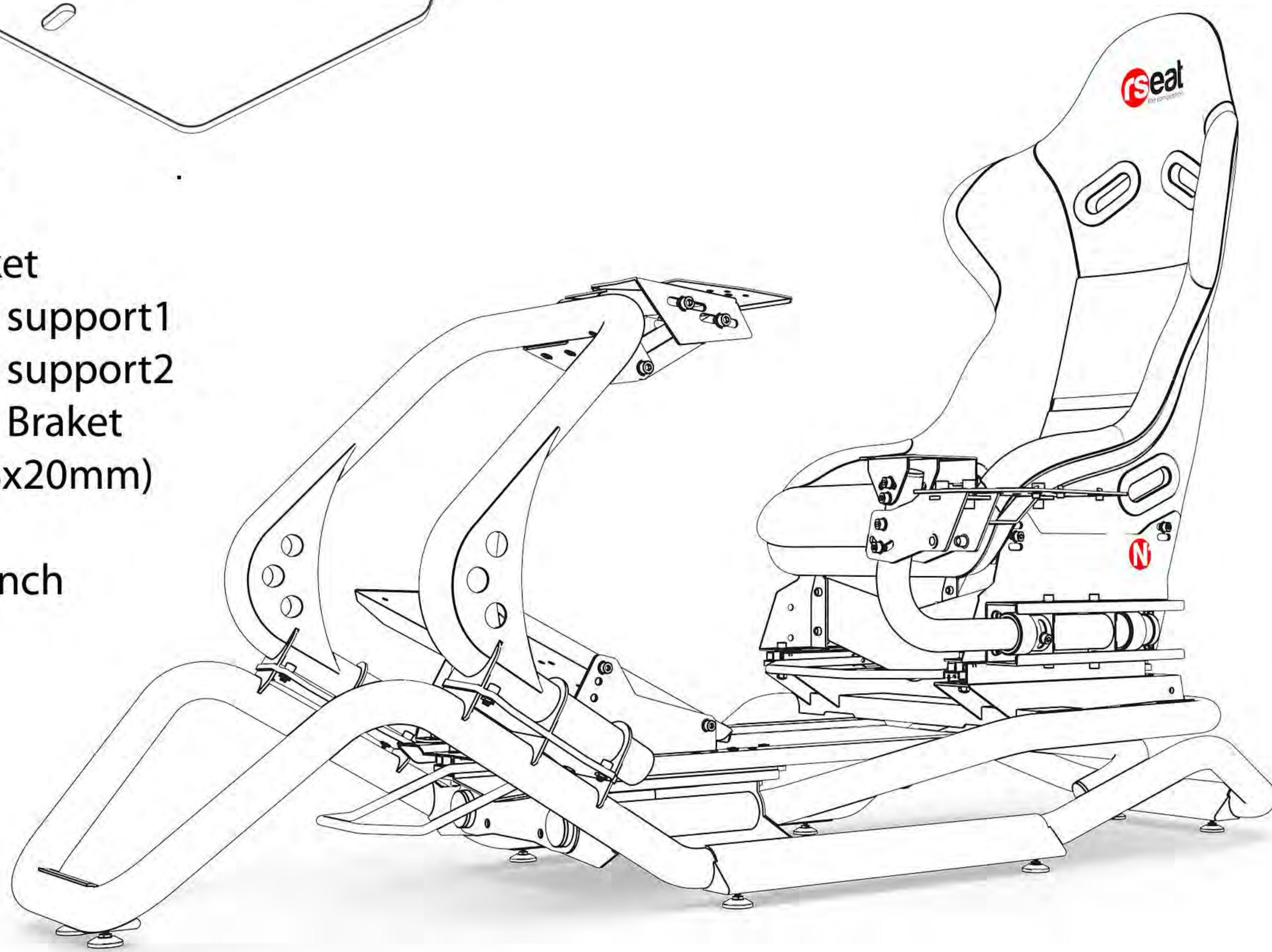
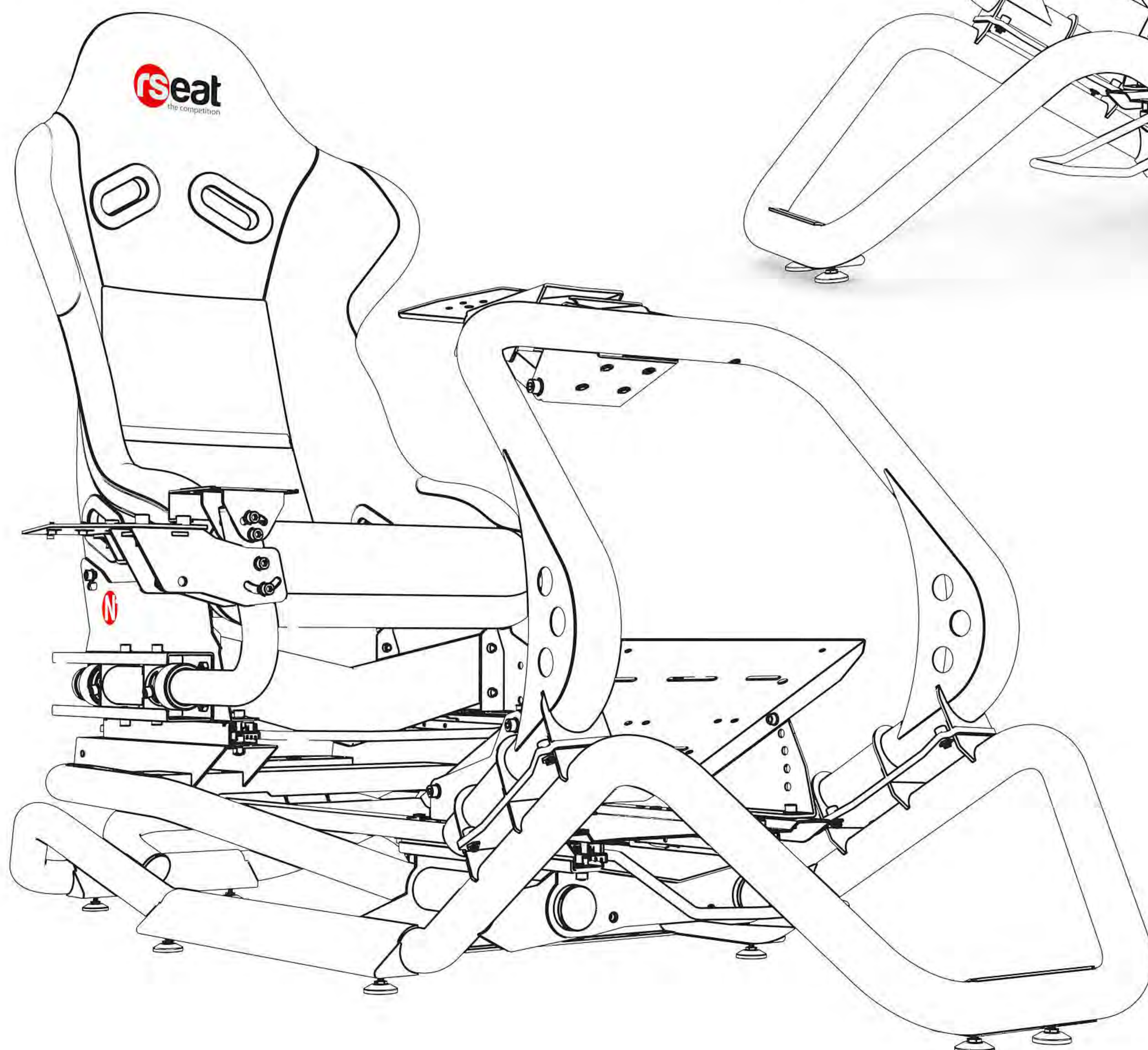
### ASSEMBLY INSTRUCTIONS RSEAT N1 SHIFTER MOUNT UPGRADE KIT

Thank you for choosing RSEAT.



#### What's Included

- A** RSEAT N1 Shifter/Handbrake Main bracket
- B** RSEAT N1 Shifter/Handbrake Arm
- C** RSEAT N1 Shifter/Handbrake Shifter Bracket
- D** RSEAT N1 Shifter/Handbrake - Handbrake support 1
- E** RSEAT N1 Shifter/Handbrake - Handbrake support 2
- F** RSEAT N1 Shifter/Handbrake - Handbrake Bracket
- G** Tools and screws for the assembly. 4x (M8x20mm) screws, 4 x M8 Nuts, and 6mm HEX Key, 8mm HEX Key, 13mm wrench, 17mm wrench



#### WARNINGS

Before you begin assembling this simulator, please read all installation instructions and warnings thoroughly.

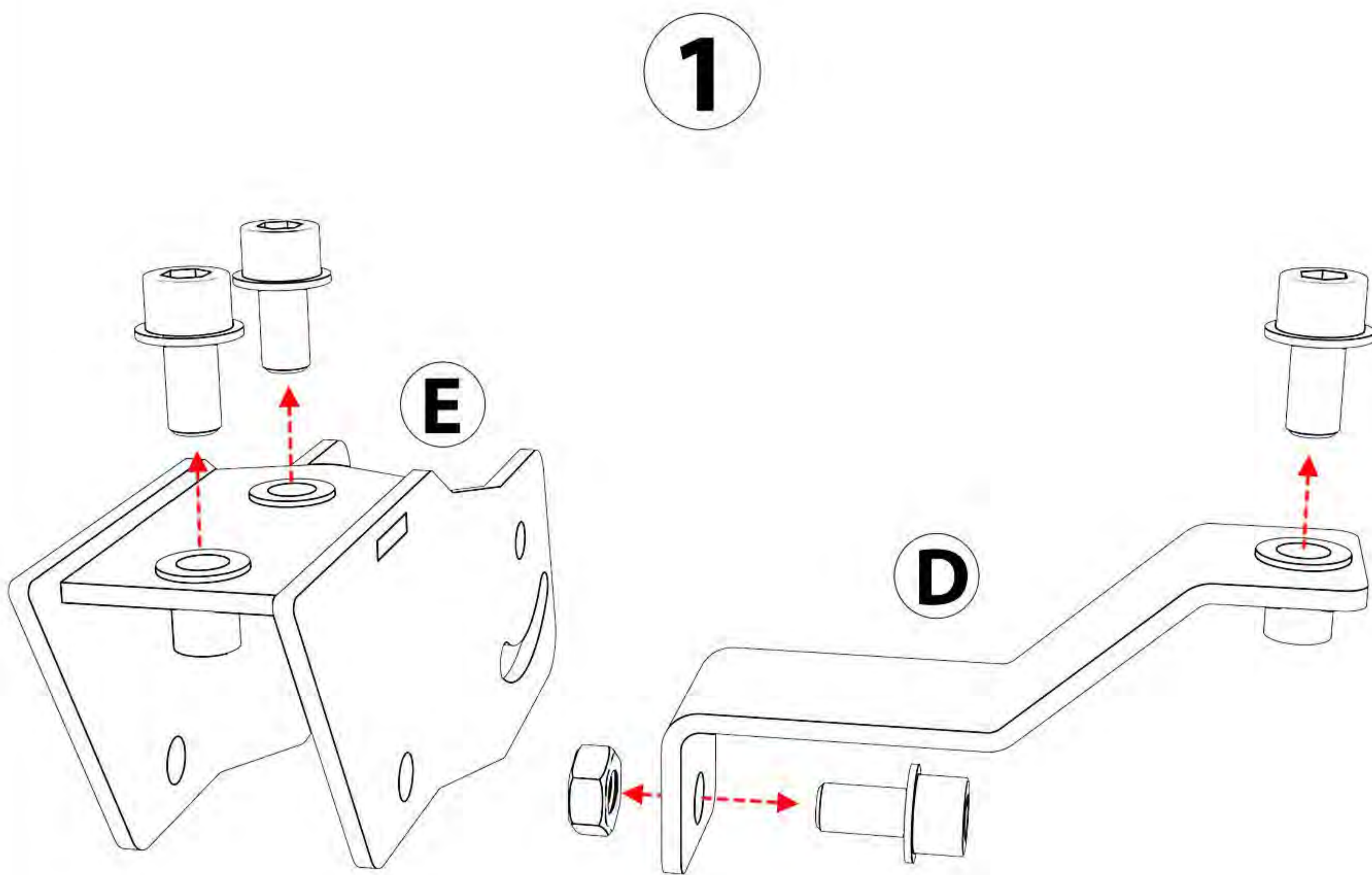
**FAILURE TO COMPLY WITH OR OBSERVE ALL ASSEMBLY, SAFETY AND OPERATION INSTRUCTIONS AND WARNINGS REGARDING THE USE OF THIS PRODUCT MAY RESULT IN SERIOUS BODILY INJURY.**

This simulator complies with the prescribed safety regulations. Inappropriate use may cause damage to persons and simulator.

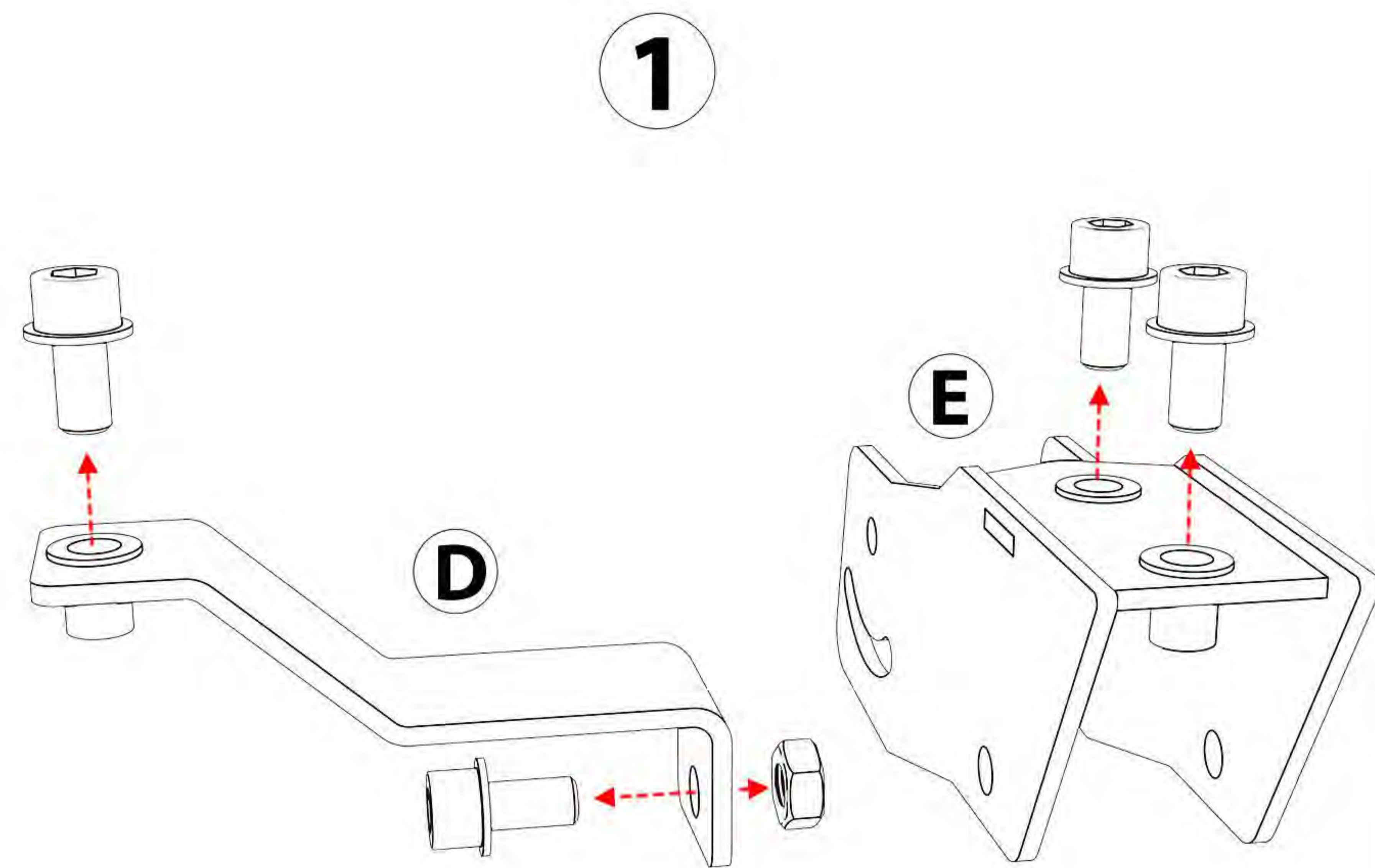


- 1** Remove the 2 x (M10x20mm) screws from (E) using the 8mm HEX Key. Remove the 2 x (M10x20mm) screws and the M10 nut from (D) using 8mm HEX Key and 17mm wrench.

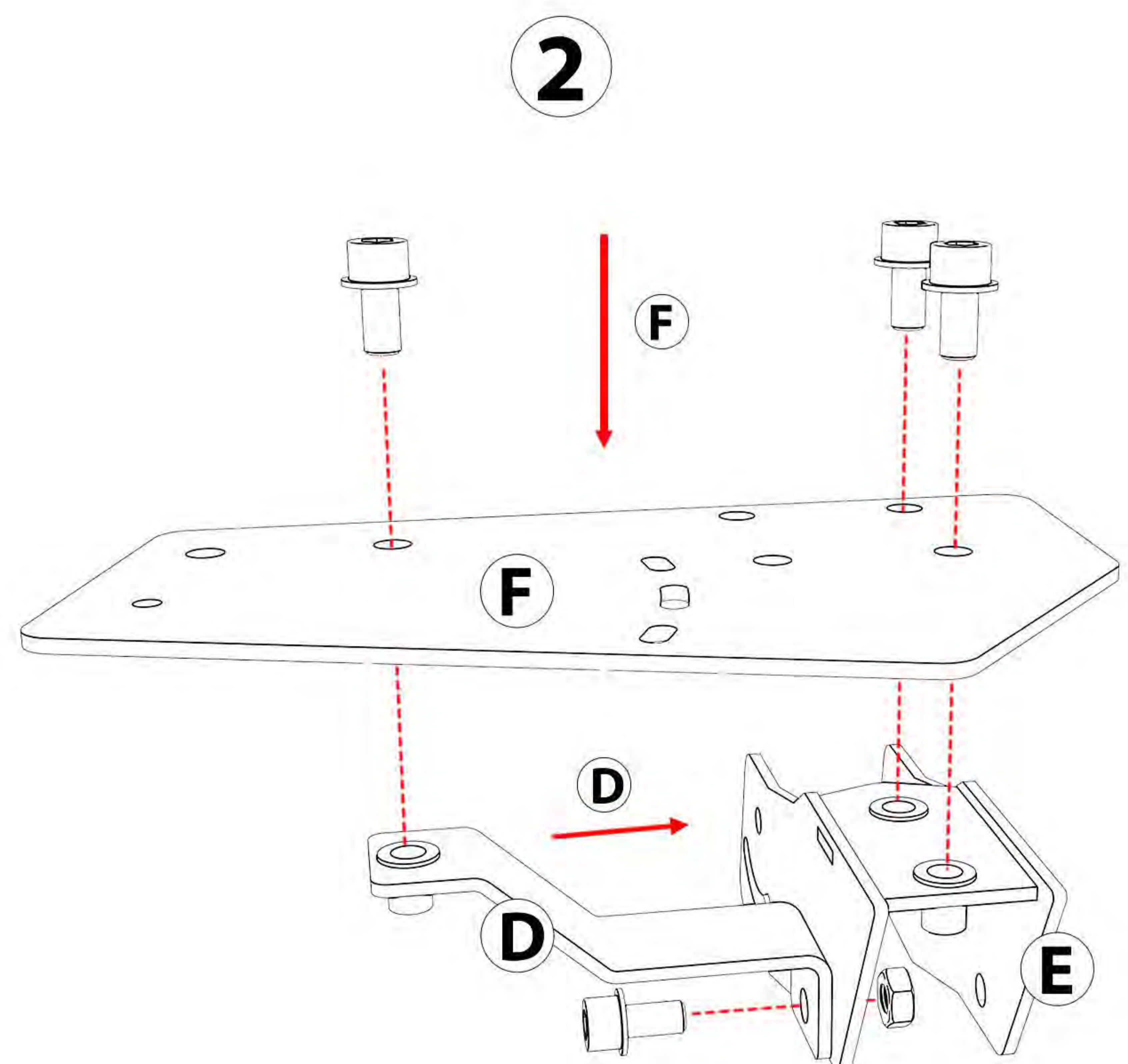
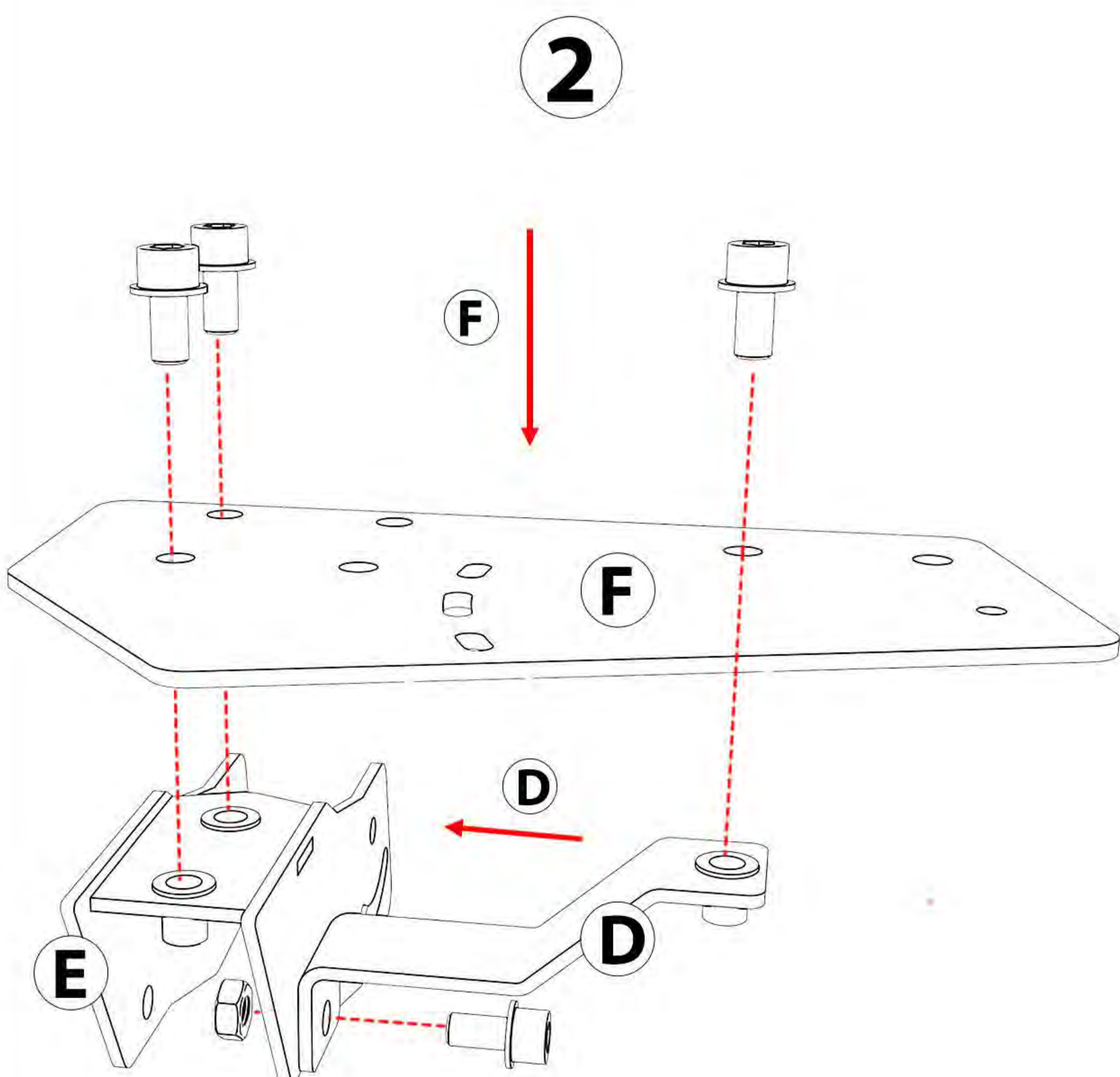
### Shifter/Handbrake Left hand drive



### Shifter/Handbrake Right hand drive



- 2** Install the handbrake bracket (F) to the handbrake support 1 and 2 (E,D). Using 4 x (M10x20mm) screws (from step 1) install (F) and (D) to the support1 (E). Use the 8mm HEX Key provided with the package(G). Use the 17mm wrench and 8mm HEX Key to connect (E) and (D) Install as shown on the images below.

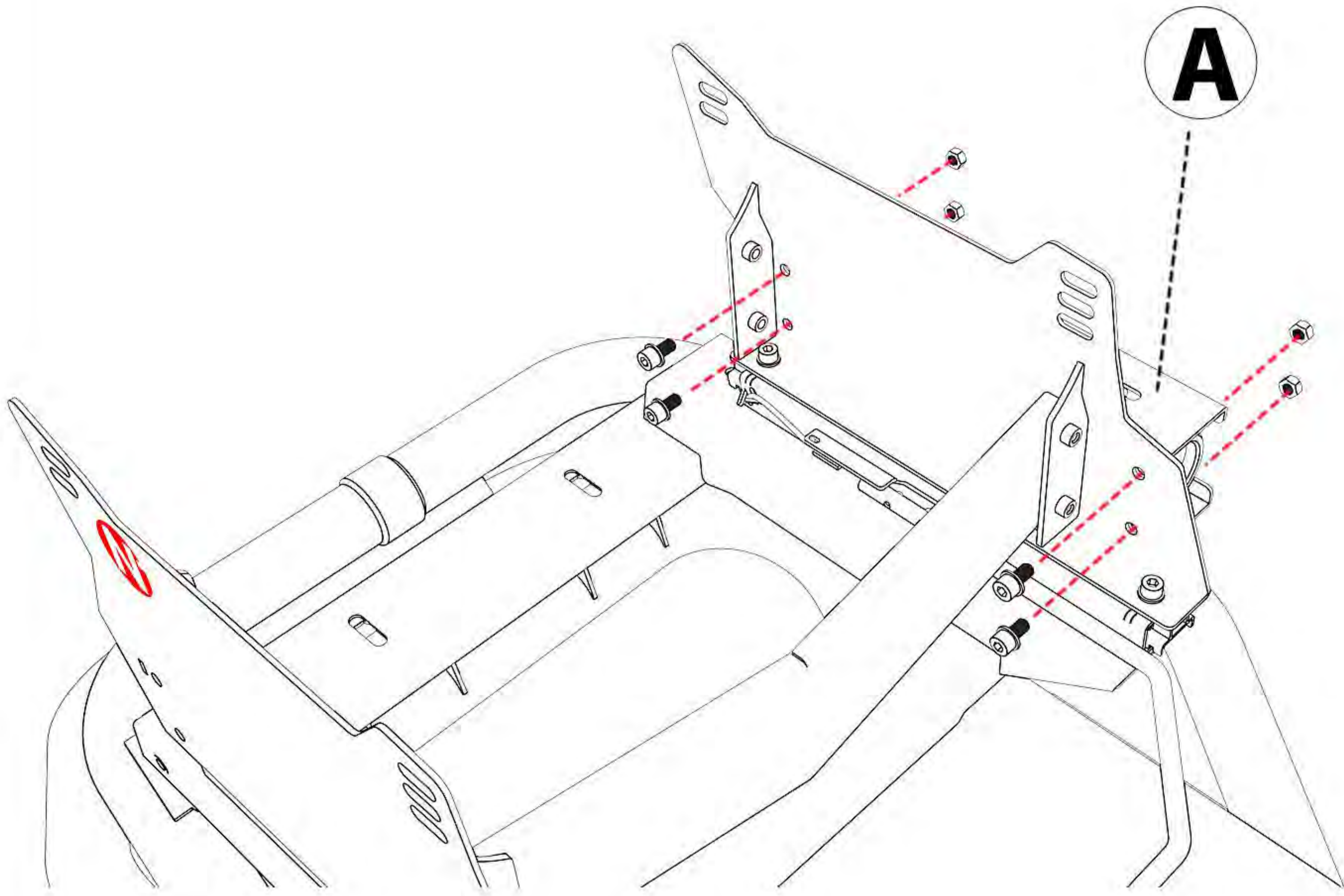




- 3** Install the Shifter/Handbrake Main braket (A) to the N1 Chassis using 4 x (M8x20mm) screws and 4 x M8 nuts provided with the package. Use the 13mm wrench and 6mm HEX Key to connect (A) to the N1 chassis. Install as shown on the images below.

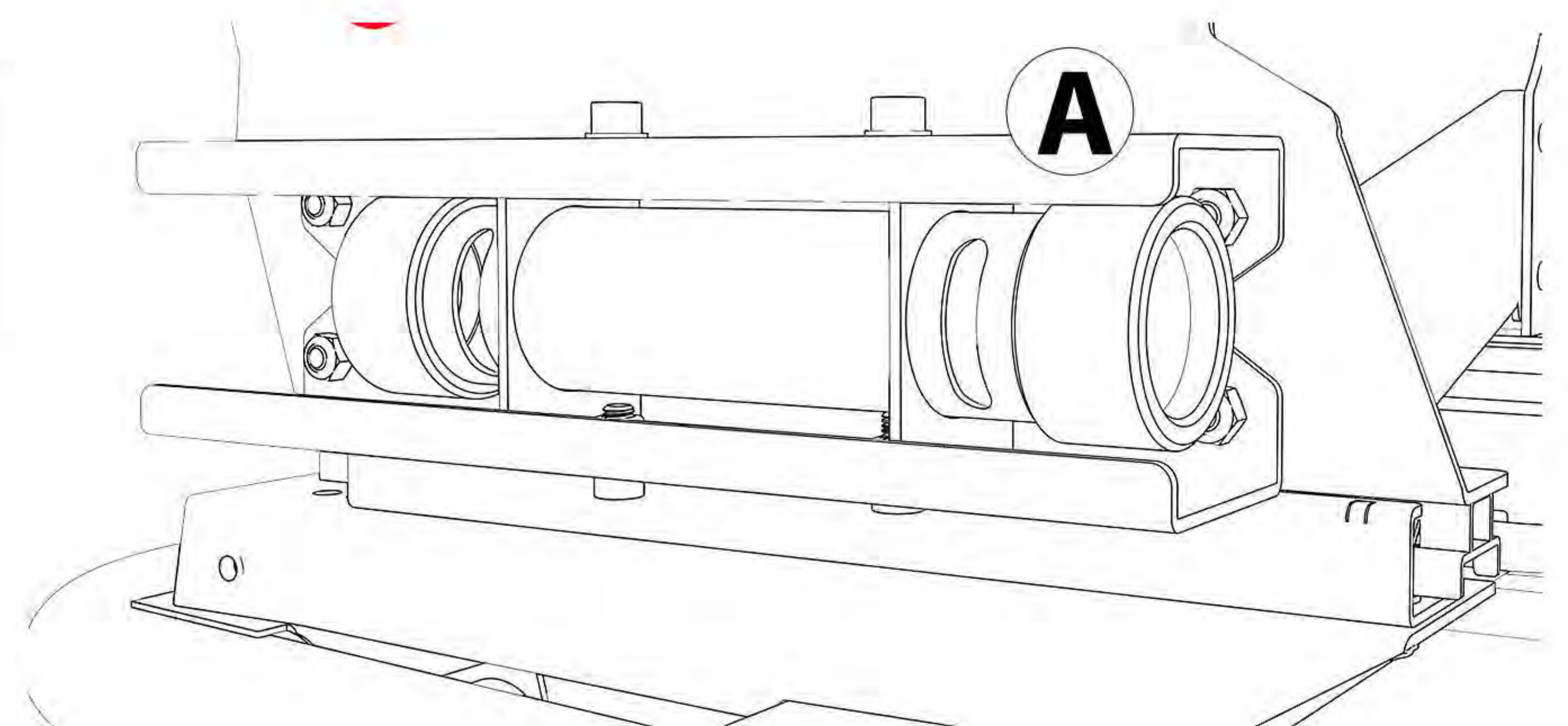
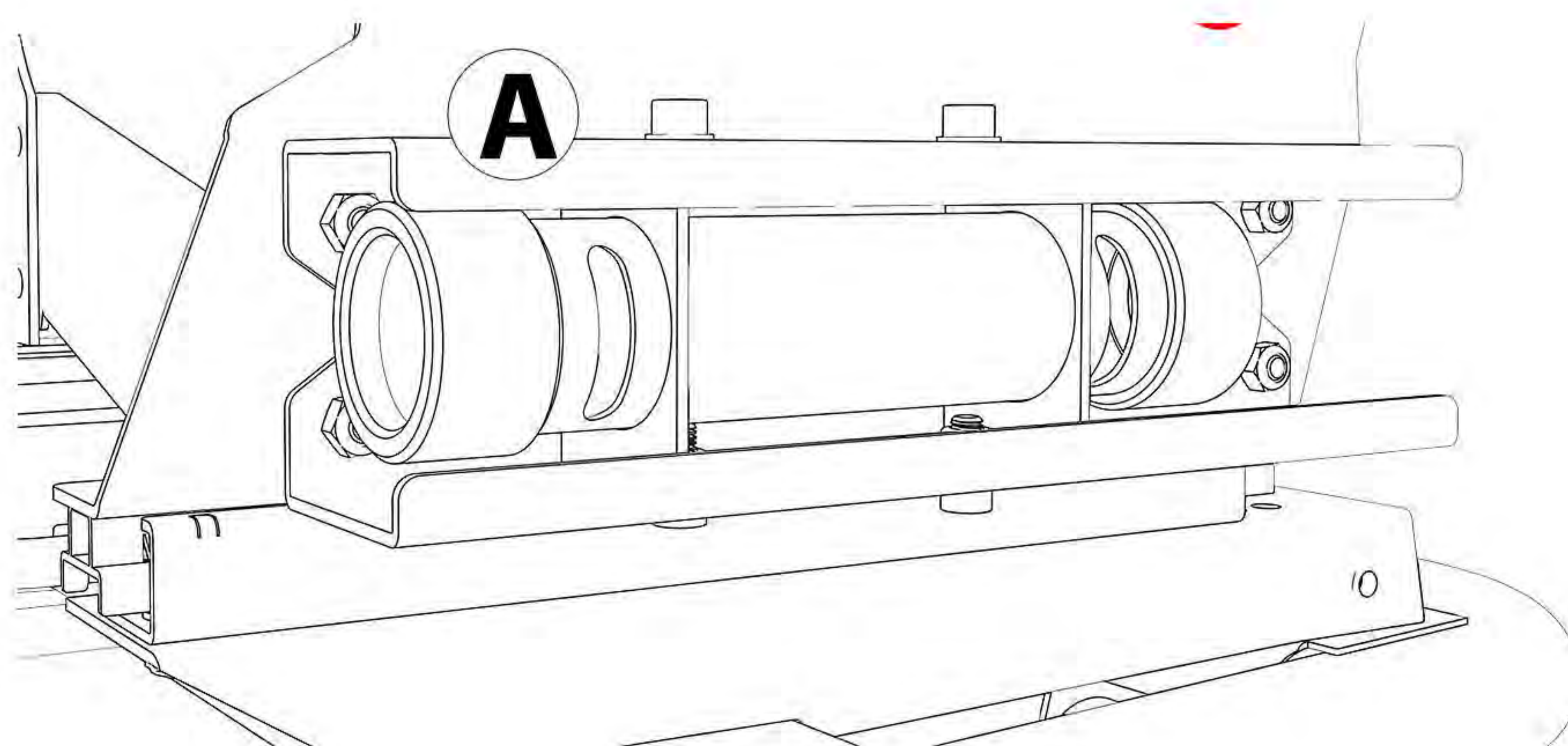
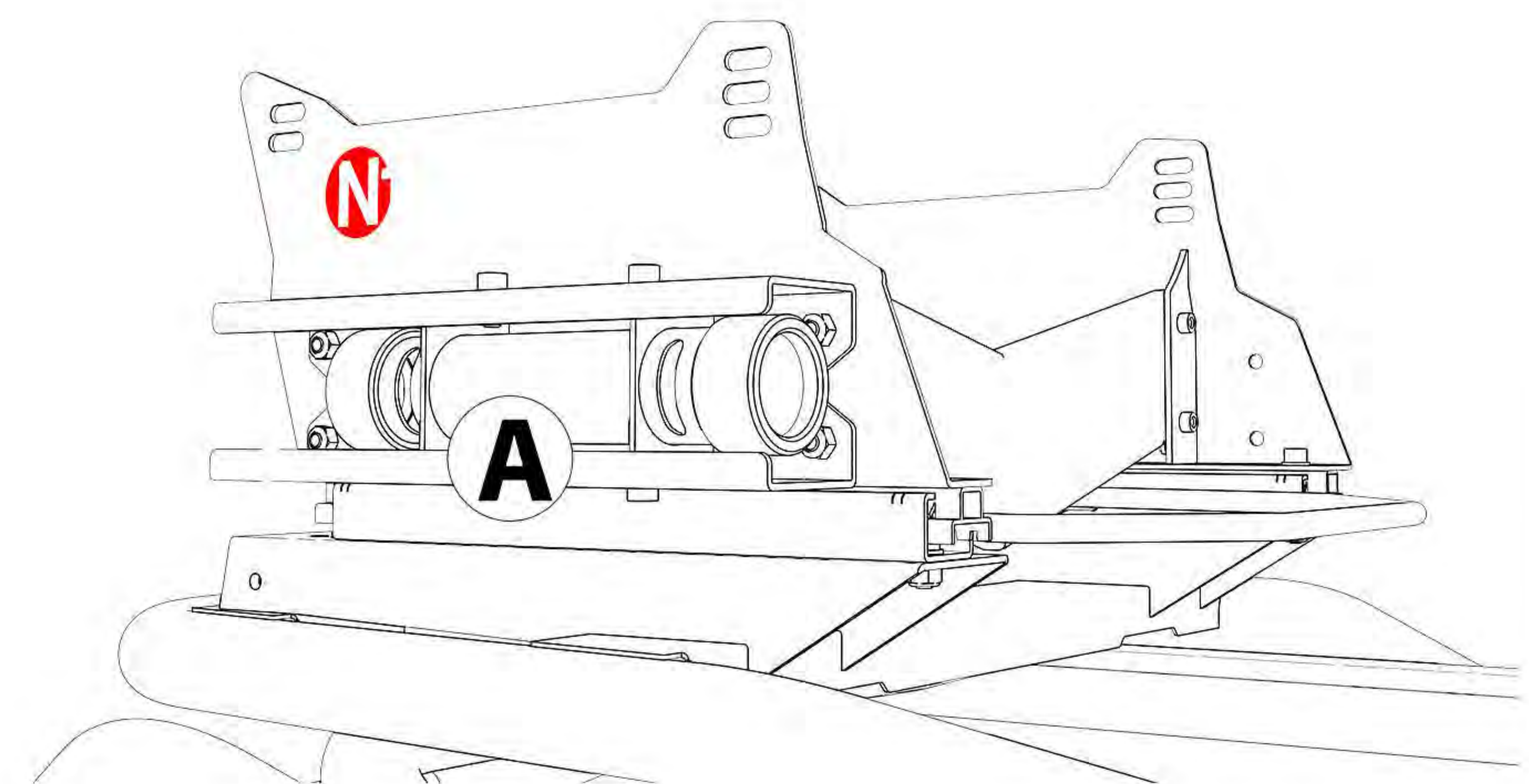
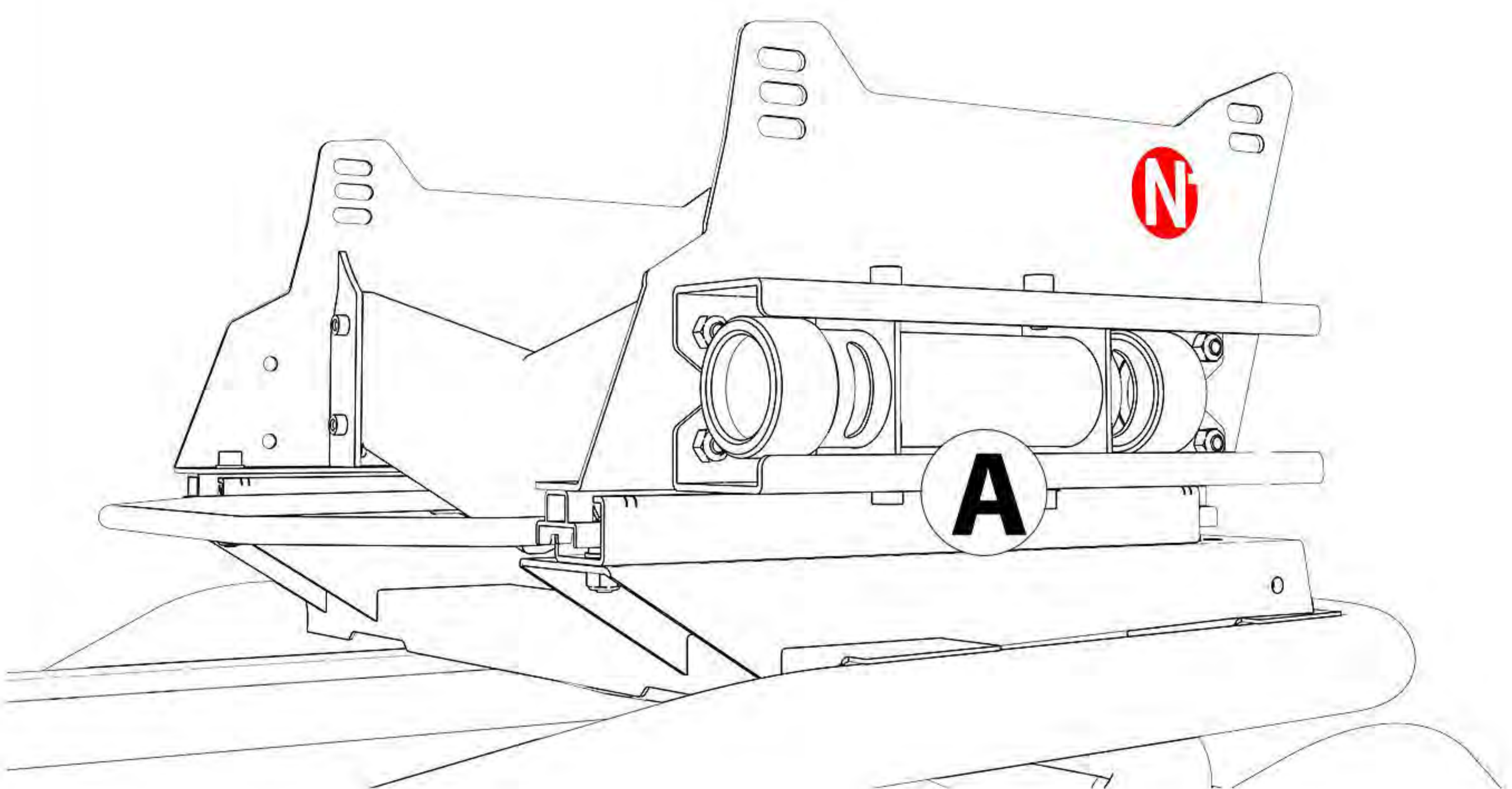
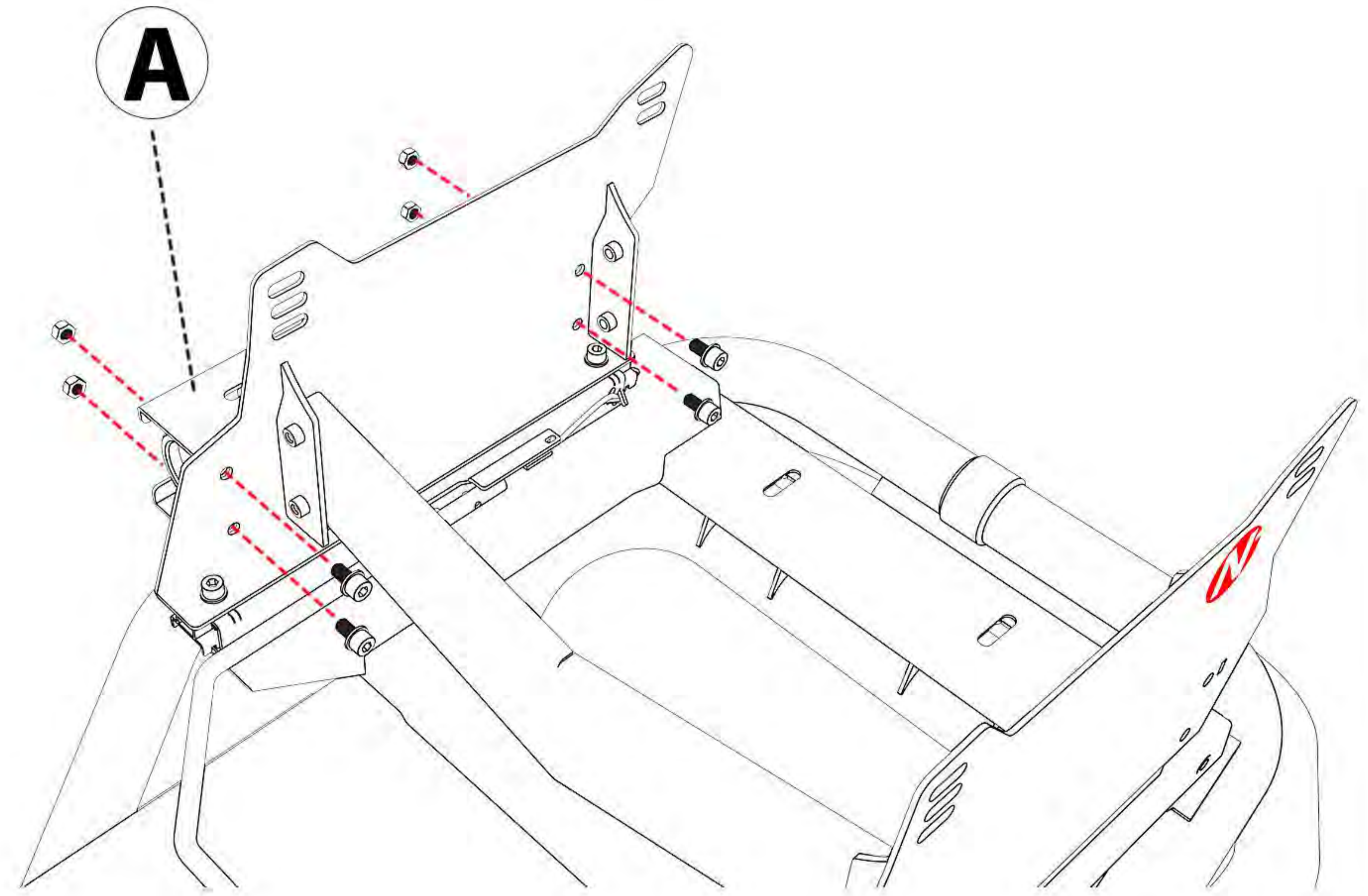
### Shifter/Handbrake Left hand drive

**3**



### Shifter/Handbrake Right hand drive

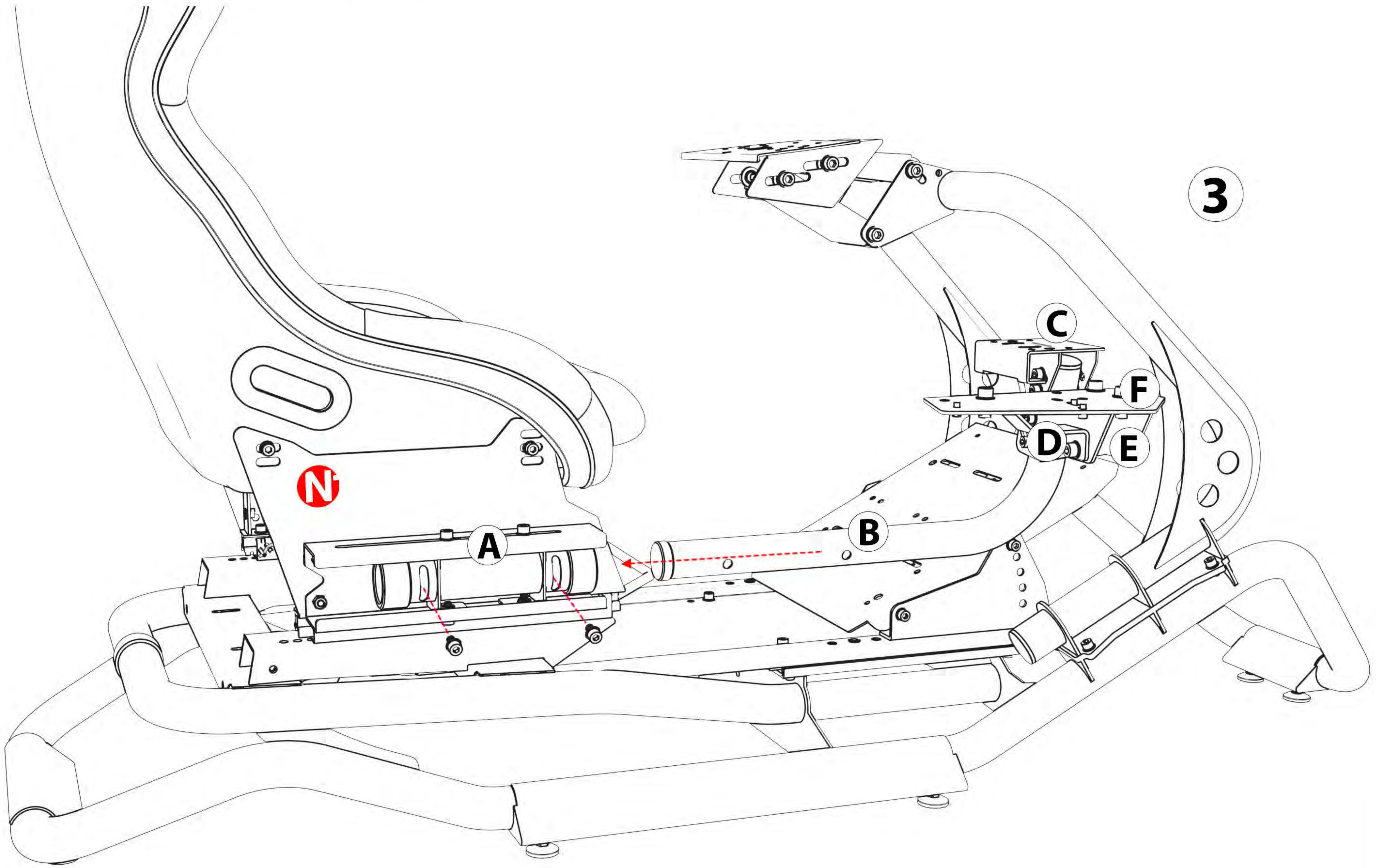
**3**



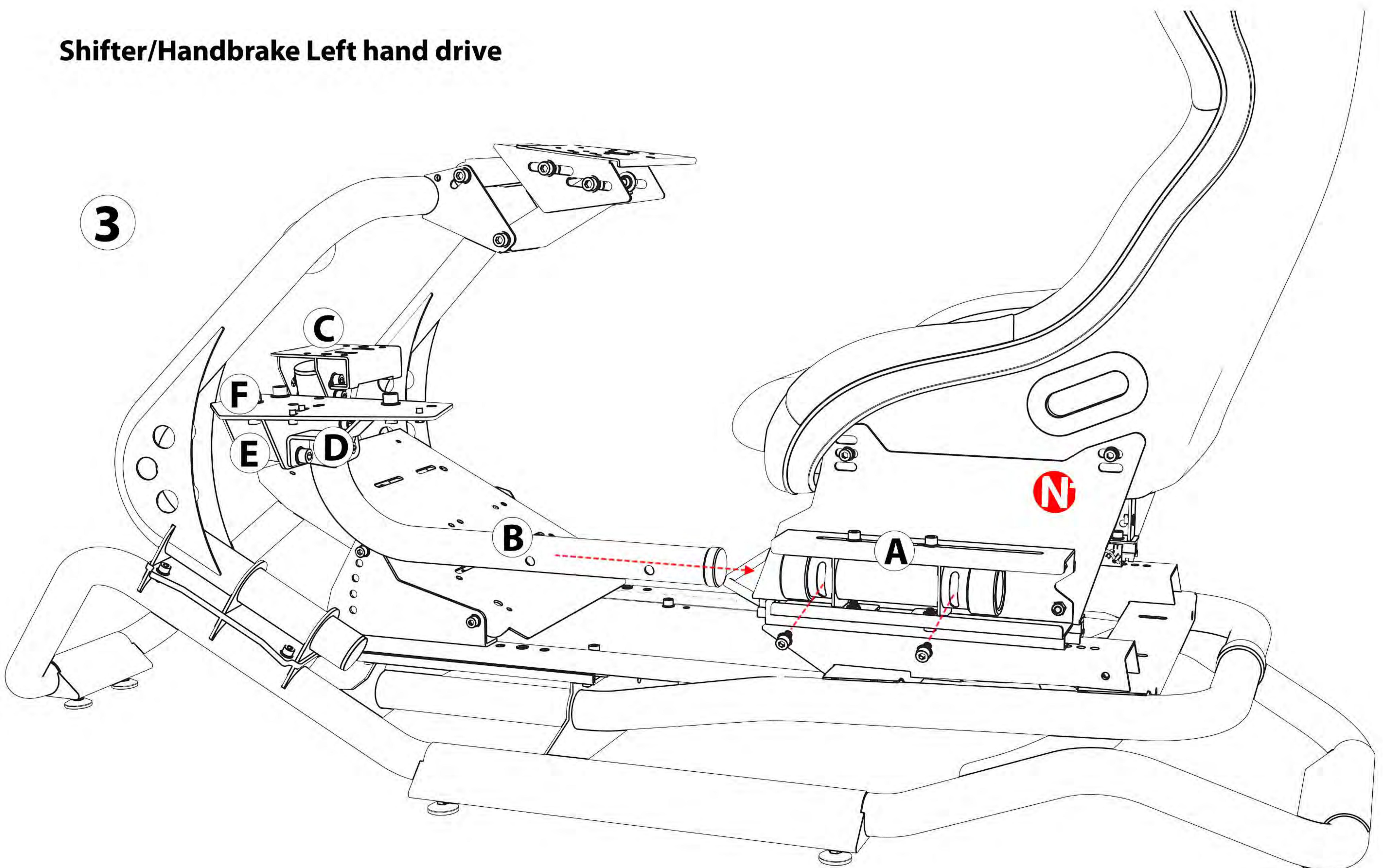


- 3** Install the Shifter/Handbrake Assembly (including B,C,D,E,F) to the Main bracket (A) (already attached to the N1 Chassis in step 2) using 2 x (M8x20mm) screws. Use the 6mm HEX Key to connect (A) with (B). Install as shown on the images below.

### Shifter/Handbrake Right hand drive



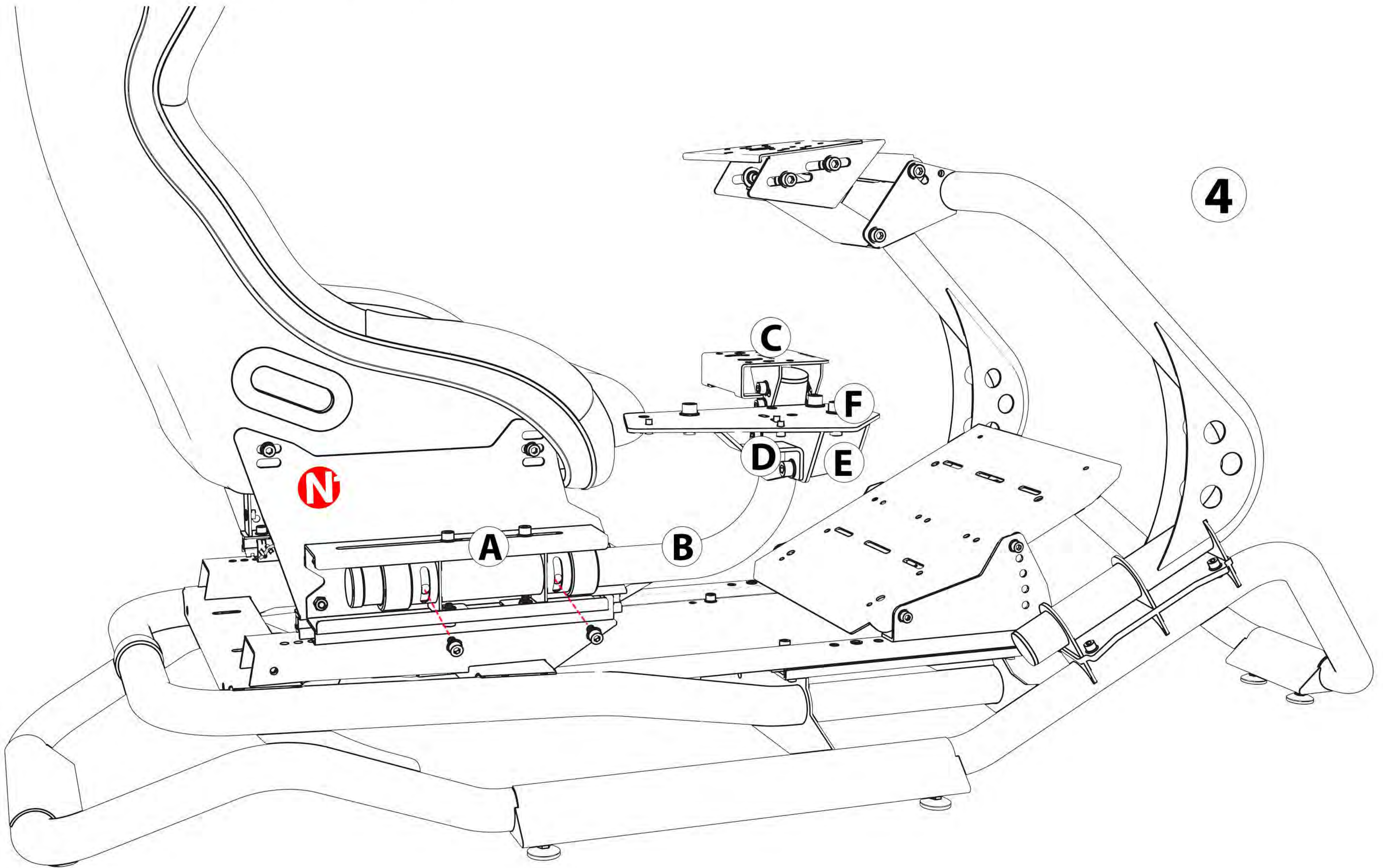
### Shifter/Handbrake Left hand drive





- 4** Adjust the shifter in an direction needed using the 6mm HEX Key. The N1 Shifter Handbrake is ready for Use. You will find 10xm6 screws to attach your shifter or handbrake to the assembly.

### Shifter/Handbrake Right hand drive



### Shifter/Handbrake Left hand drive

