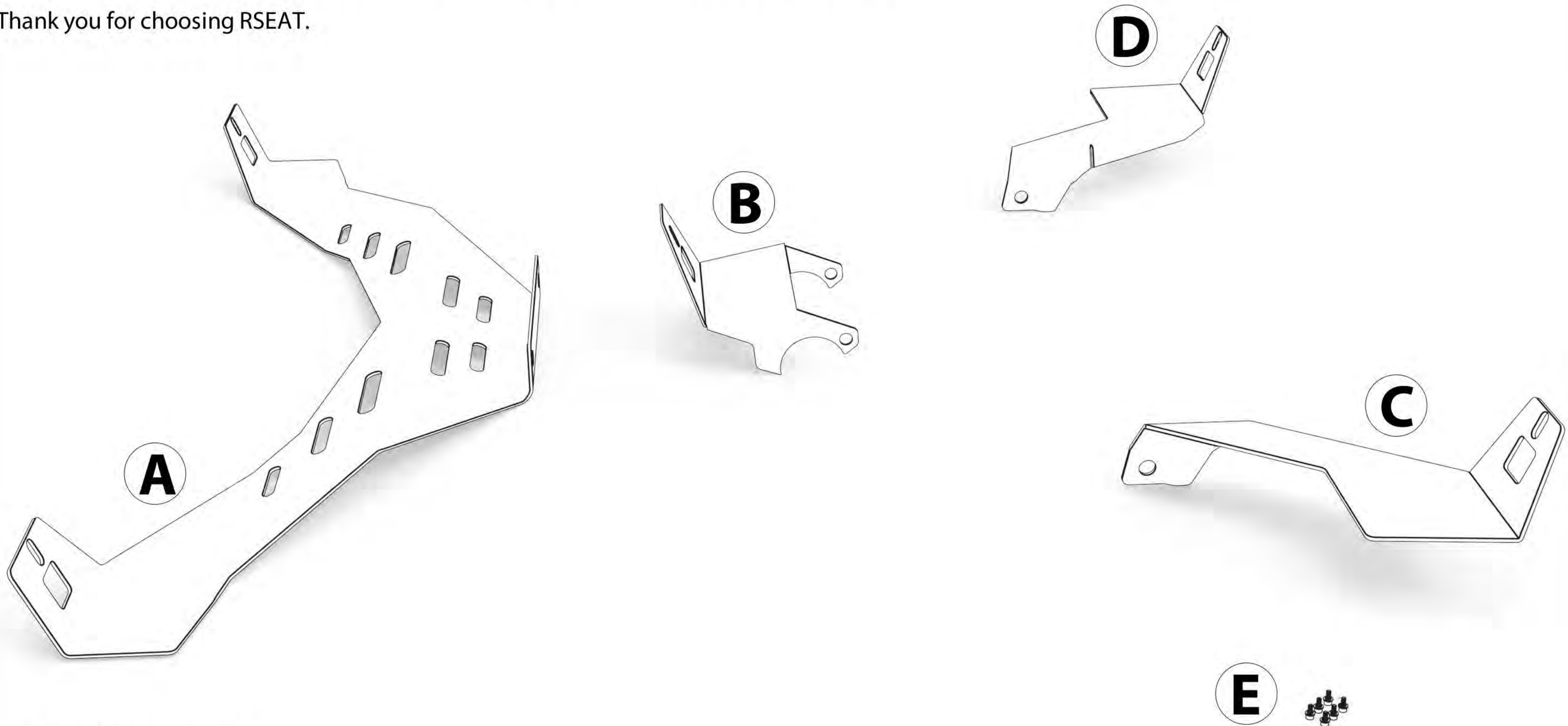


ASSEMBLY INSTRUCTIONS RSEAT N1 SPEAKERS MOUNT UPGRADE KIT

Thank you for choosing RSEAT.



What's Included

- A** RSEAT N1 Front Speaker Mount
- B** RSEAT N1 Top Speaker Mount (next to the wheel)
- C** Rear Left Speaker Mount
- D** Rear Right Speaker Mount
- E** Tools and screws for the assembly. 6x (M8x20mm) screws and 6mm HEX Key.

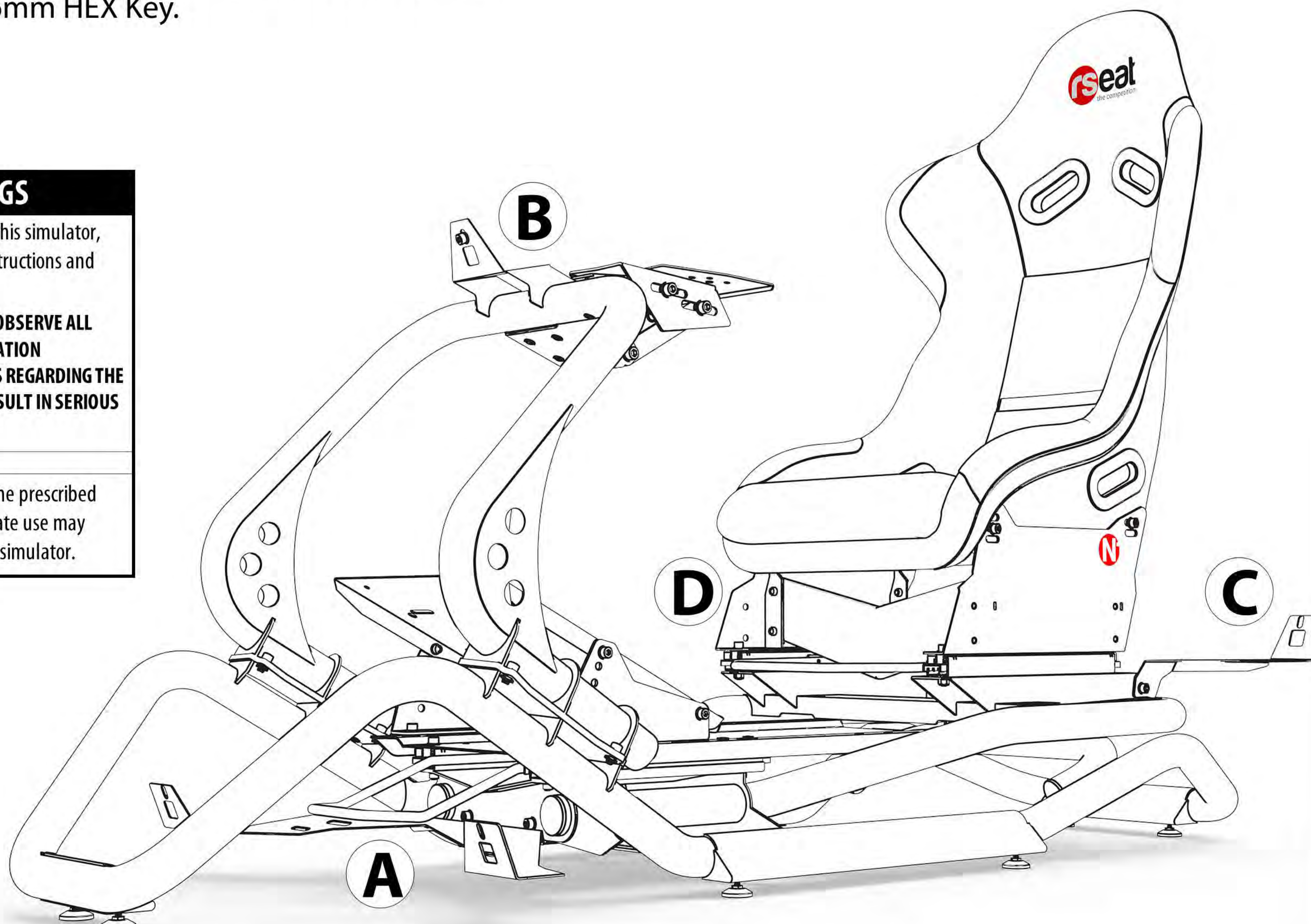


WARNINGS

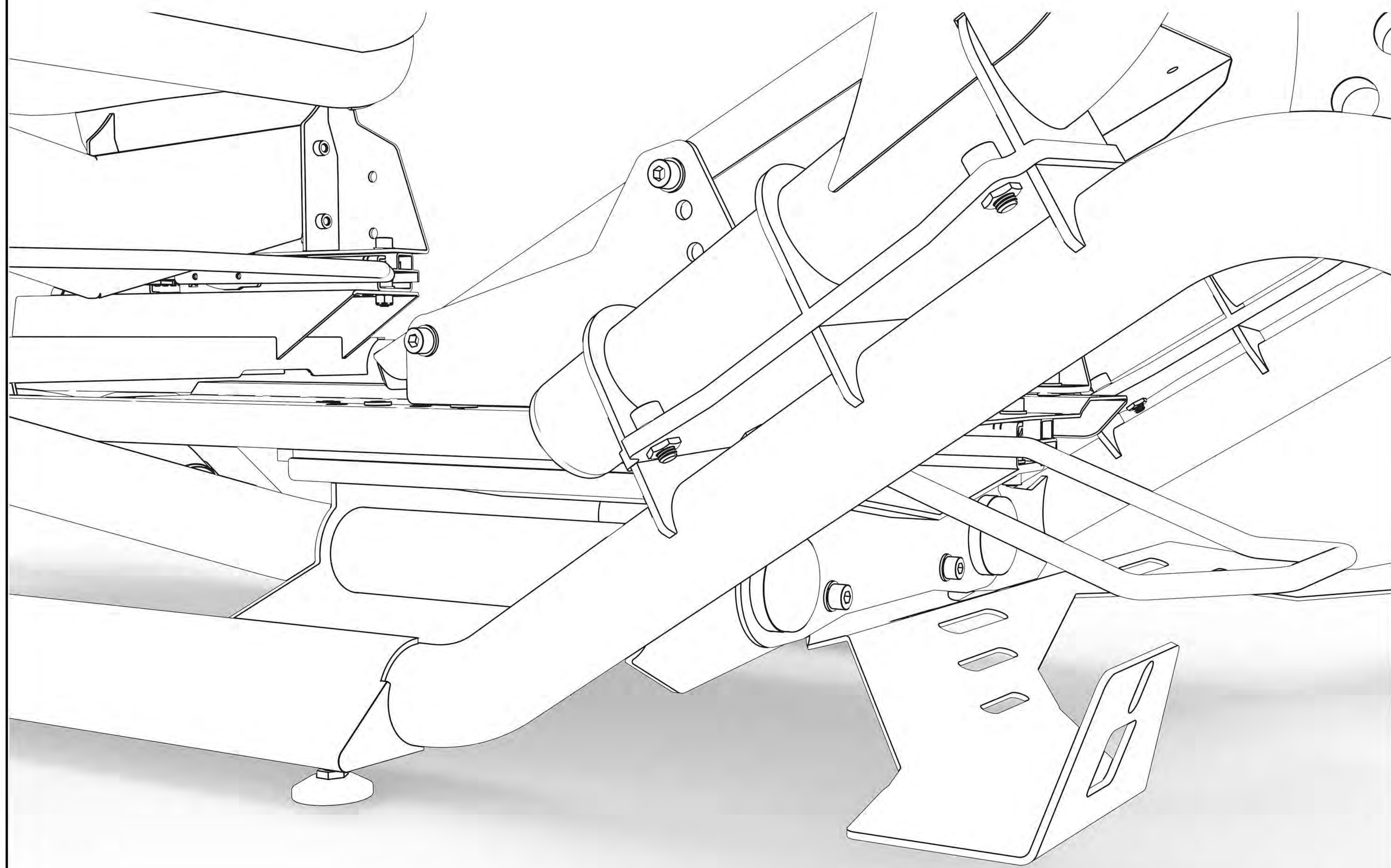
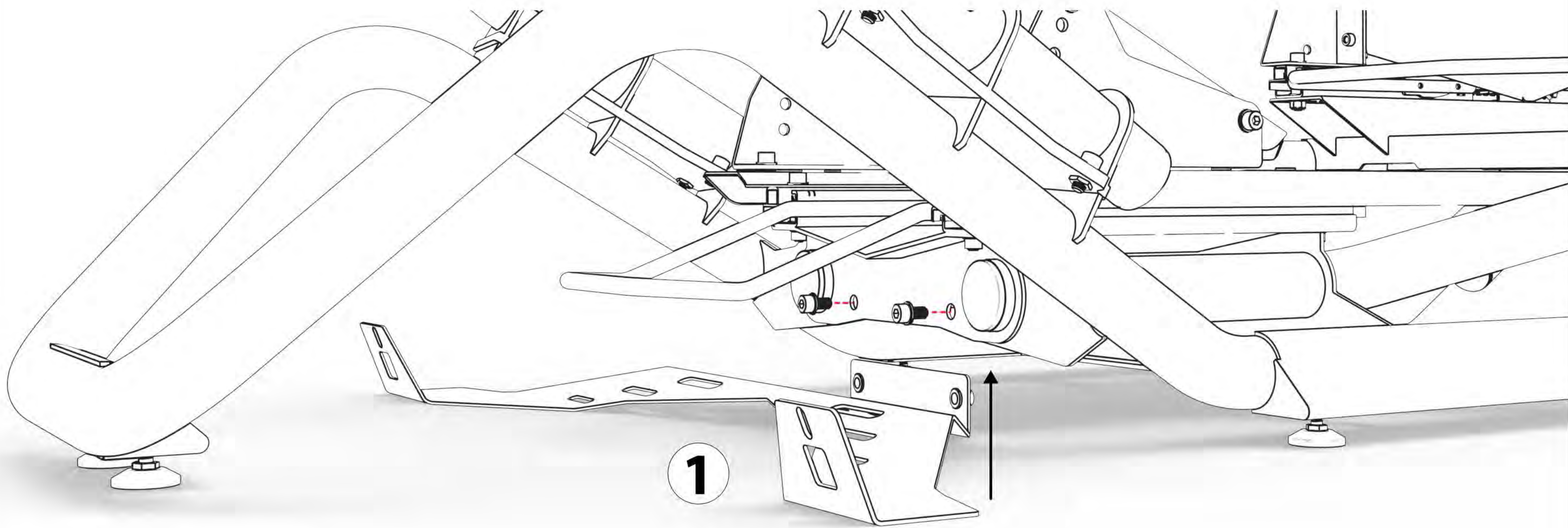
Before you begin assembling this simulator, please read all installation instructions and warnings thoroughly.

FAILURE TO COMPLY WITH OR OBSERVE ALL ASSEMBLY, SAFETY AND OPERATION INSTRUCTIONS AND WARNINGS REGARDING THE USE OF THIS PRODUCT MAY RESULT IN SERIOUS BODILY INJURY.

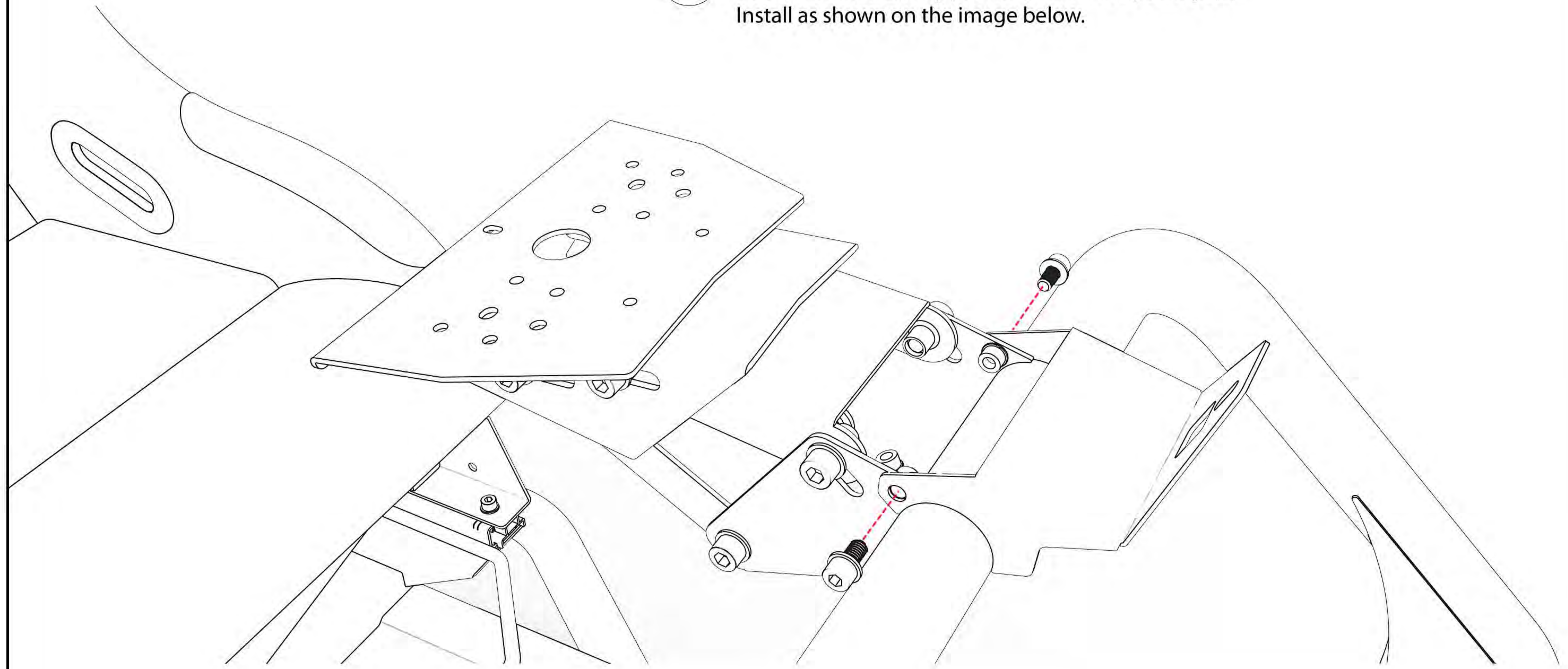
This simulator complies with the prescribed safety regulations. Inappropriate use may cause damage to persons and simulator.



- 1** Install the Front speaker mount (A) using 2 x (M8x20mm) screws to the the N1 chassis.
Use the 6mm HEX Key provided with the package(E)
Install as shown on the images below.



- 2** Install the Top speaker mount (B) using 2 x (M8x20mm) screws to the the N1 chassis.
Use the 6mm HEX Key provided with the package(E)
Install as shown on the image below.



- 3** Install the Rear-left and Rear-right speaker mounts (C,D) using 1 x (M8x20mm) screws for each side.
Use the 6mm HEX Key provided with the package(E)
Install as shown on the image below.

