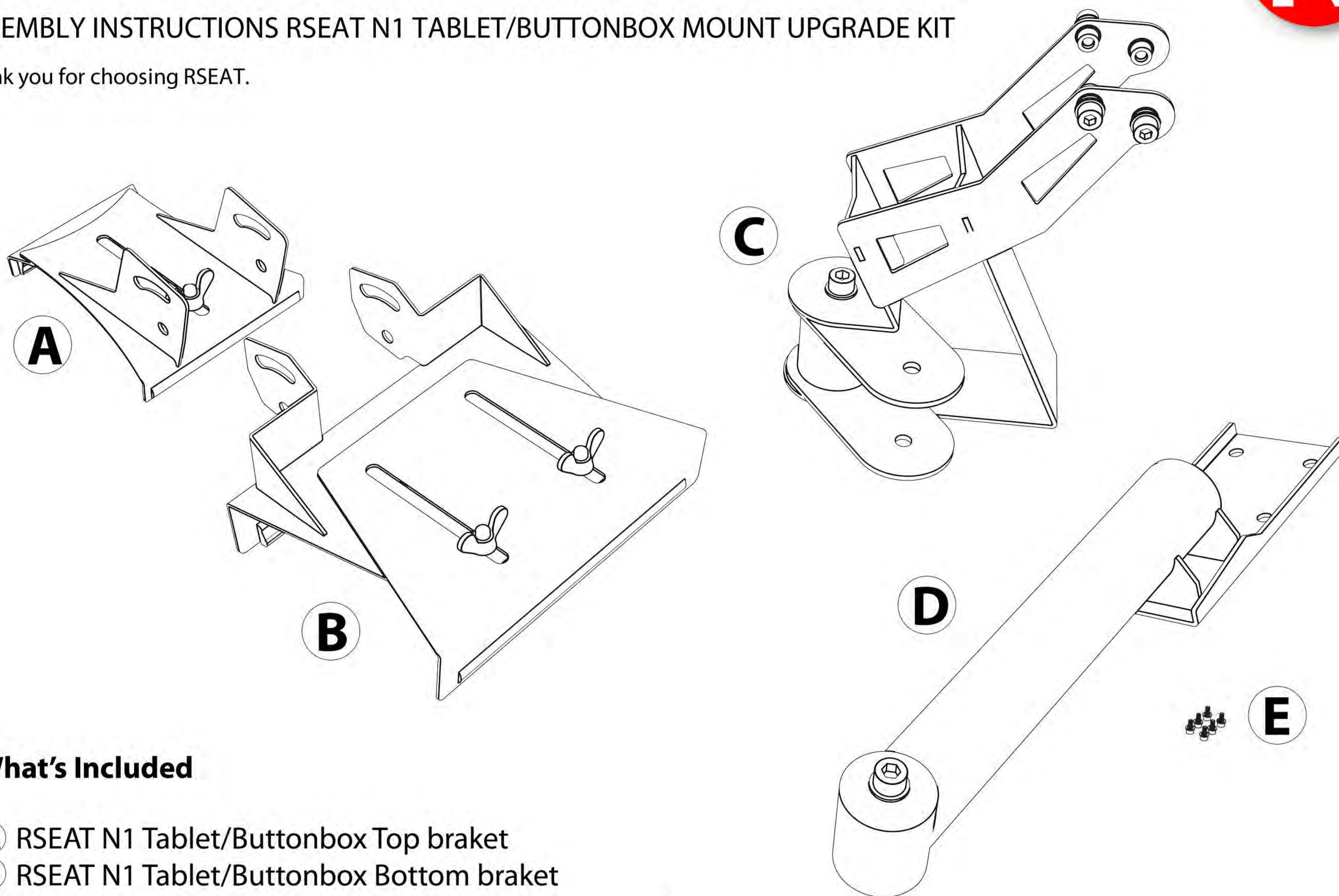


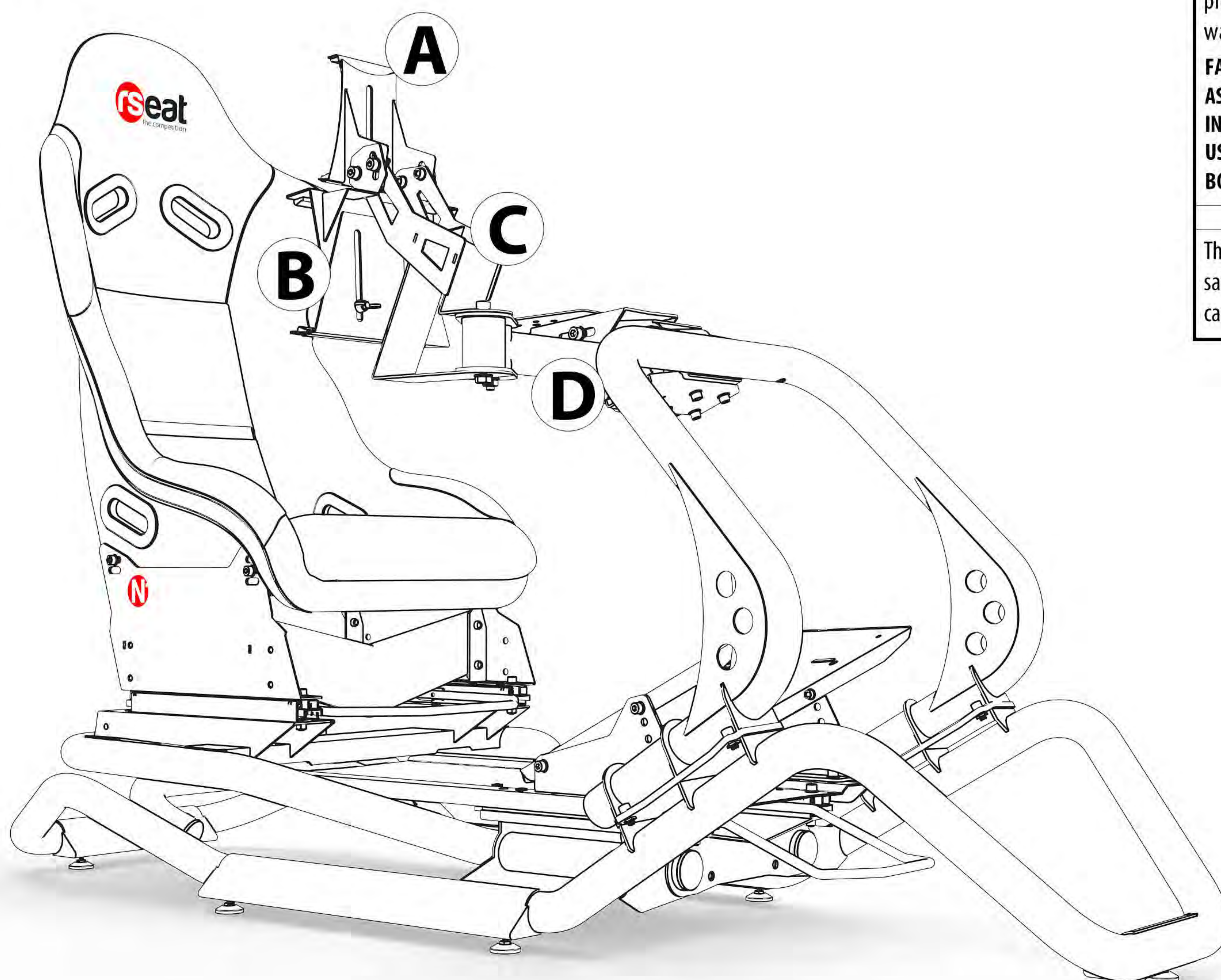
ASSEMBLY INSTRUCTIONS RSEAT N1 TABLET/BUTTONBOX MOUNT UPGRADE KIT

Thank you for choosing RSEAT.



What's Included

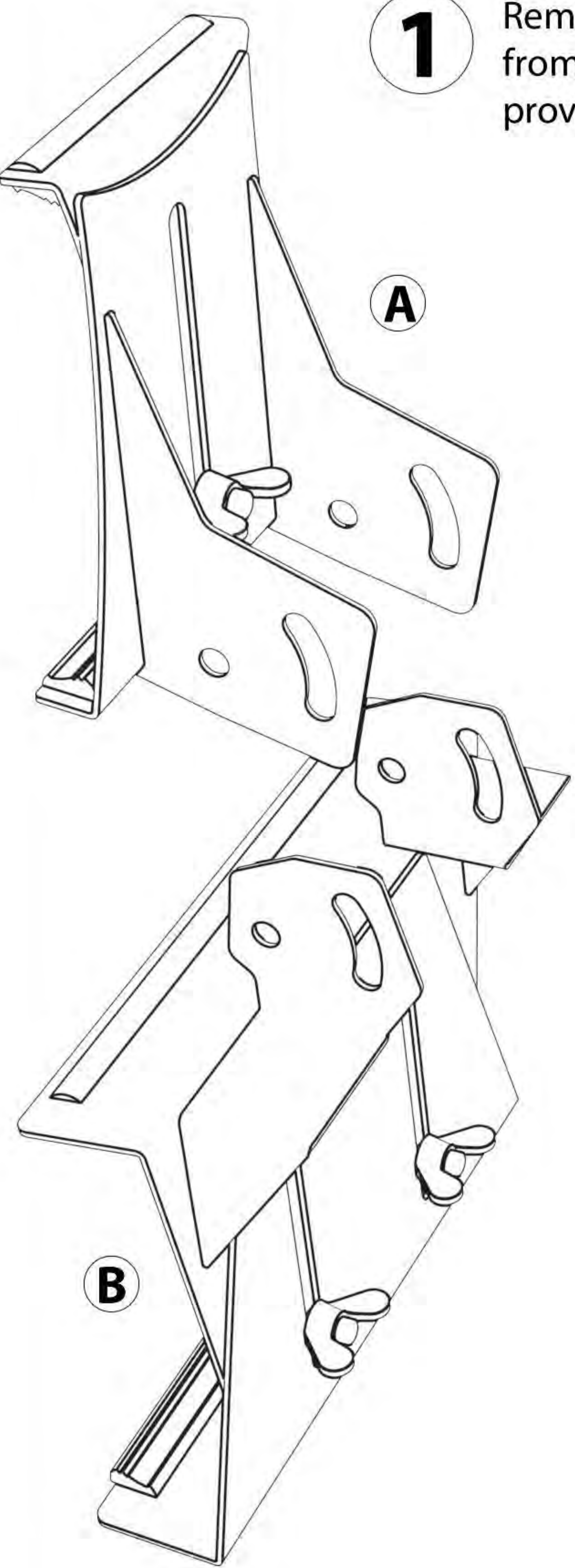
- A** RSEAT N1 Tablet/Buttonbox Top braket
- B** RSEAT N1 Tablet/Buttonbox Bottom braket
- C** RSEAT N1 Tablet/Buttonbox Midsection
- D** RSEAT N1 Tablet/Buttonbox Arm
- E** Tools and screws for the assembly. 4x (M8x20mm) screws and 6mm HEX Key, 8mm HEX Key, 17mm wrench



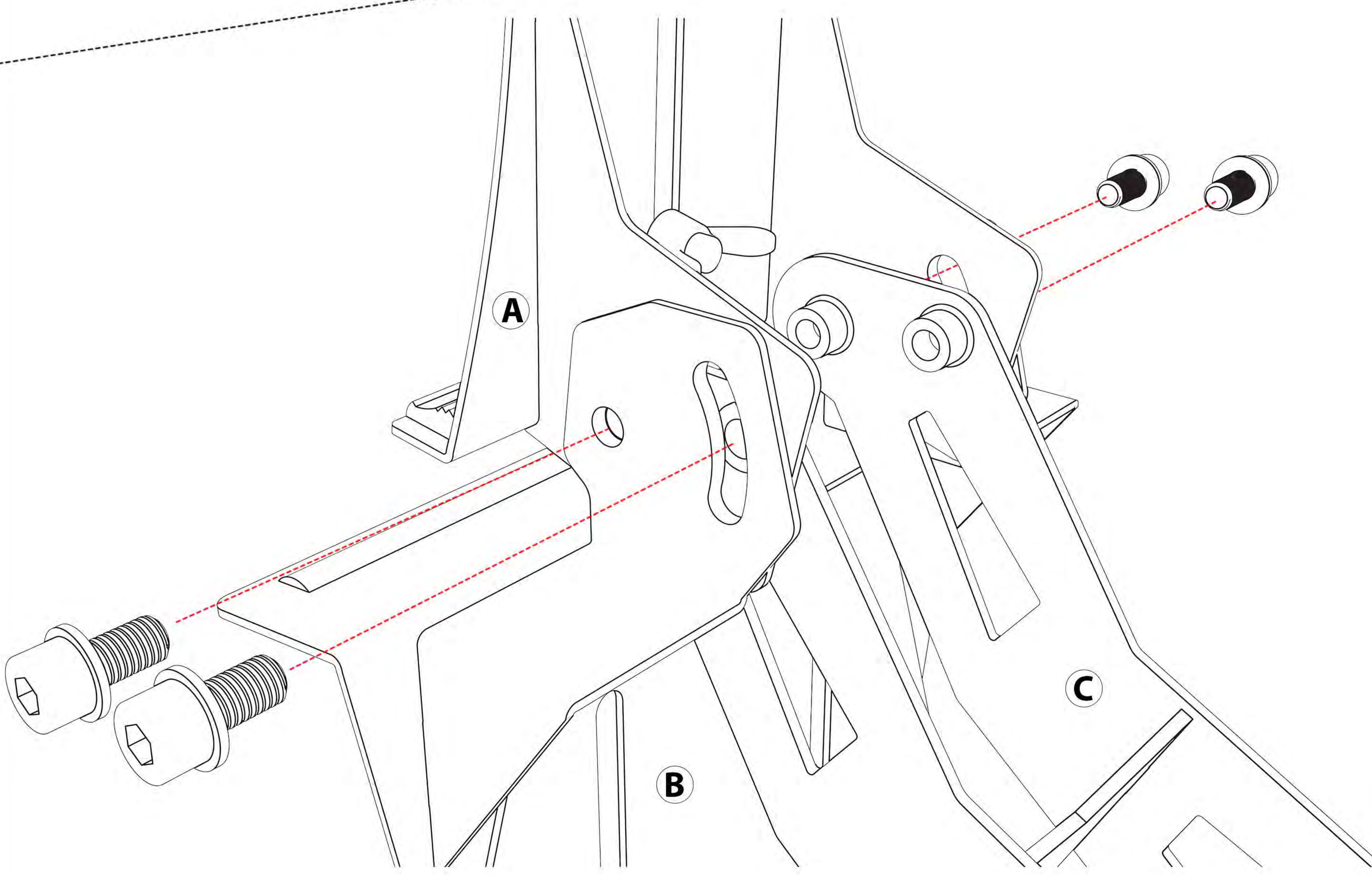
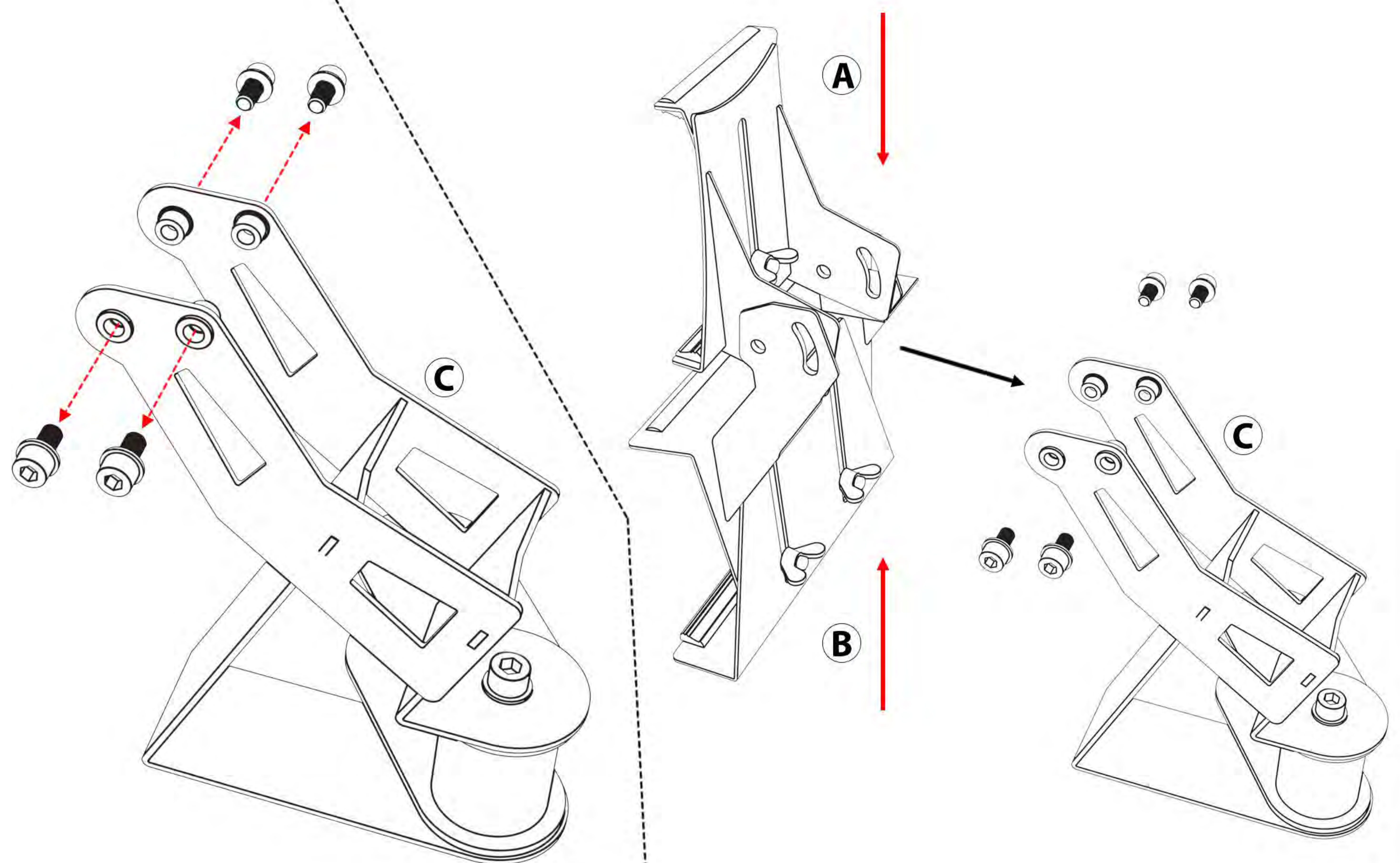
	WARNINGS
Before you begin assembling this simulator, please read all installation instructions and warnings thoroughly.	
FAILURE TO COMPLY WITH OR OBSERVE ALL ASSEMBLY, SAFETY AND OPERATION INSTRUCTIONS AND WARNINGS REGARDING THE USE OF THIS PRODUCT MAY RESULT IN SERIOUS BODILY INJURY.	
This simulator complies with the prescribed safety regulations. Inappropriate use may cause damage to persons and simulator.	

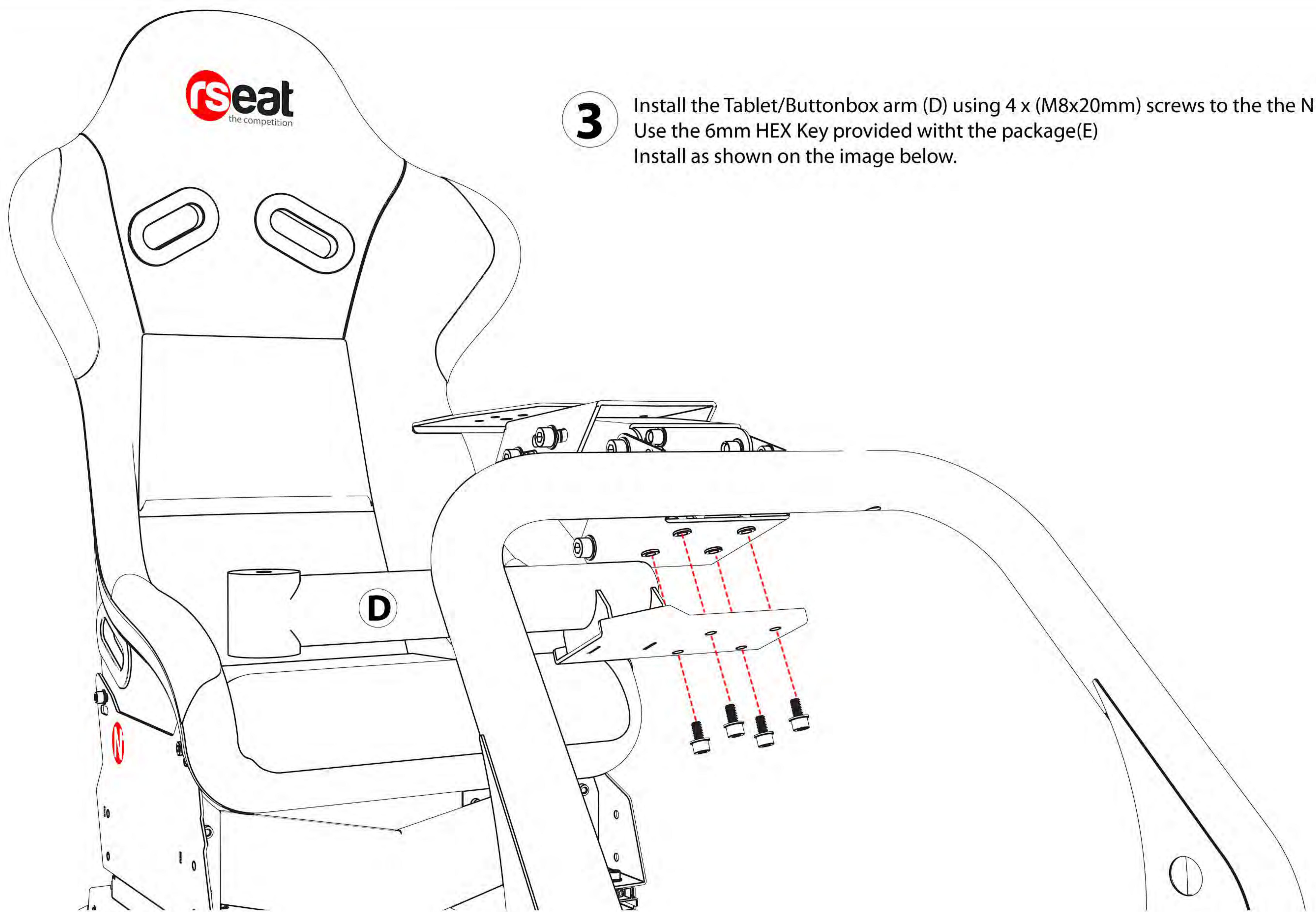
1

Remove the 4 x (M8x20mm) screws from midsection (C) using the 6mm HEX Key provided with the package(E)

**2**

Install the top tray (A) to the bottom tray (B). Using 4 x (M8x20mm) screws (from step 1) install (A) and (B) to the midsection (C). Use the 6mm HEX Key provided with the package(E). Install as shown on the images below.





3

Install the Tablet/Buttonbox arm (D) using 4 x (M8x20mm) screws to the the N1 chassis. Use the 6mm HEX Key provided with the package(E) Install as shown on the image below.

4

Install the Front Assembly (including A,B and C) to the Arm (D) using 1 x (M8x80mm) screw and M10 Nut. Add washer as on the image below. Use the 8mm HEX Key and 17 mm wrench to tight the assembly. Install as shown on the image below. The N1 Tablet/Buttonbox is now ready for use.

