

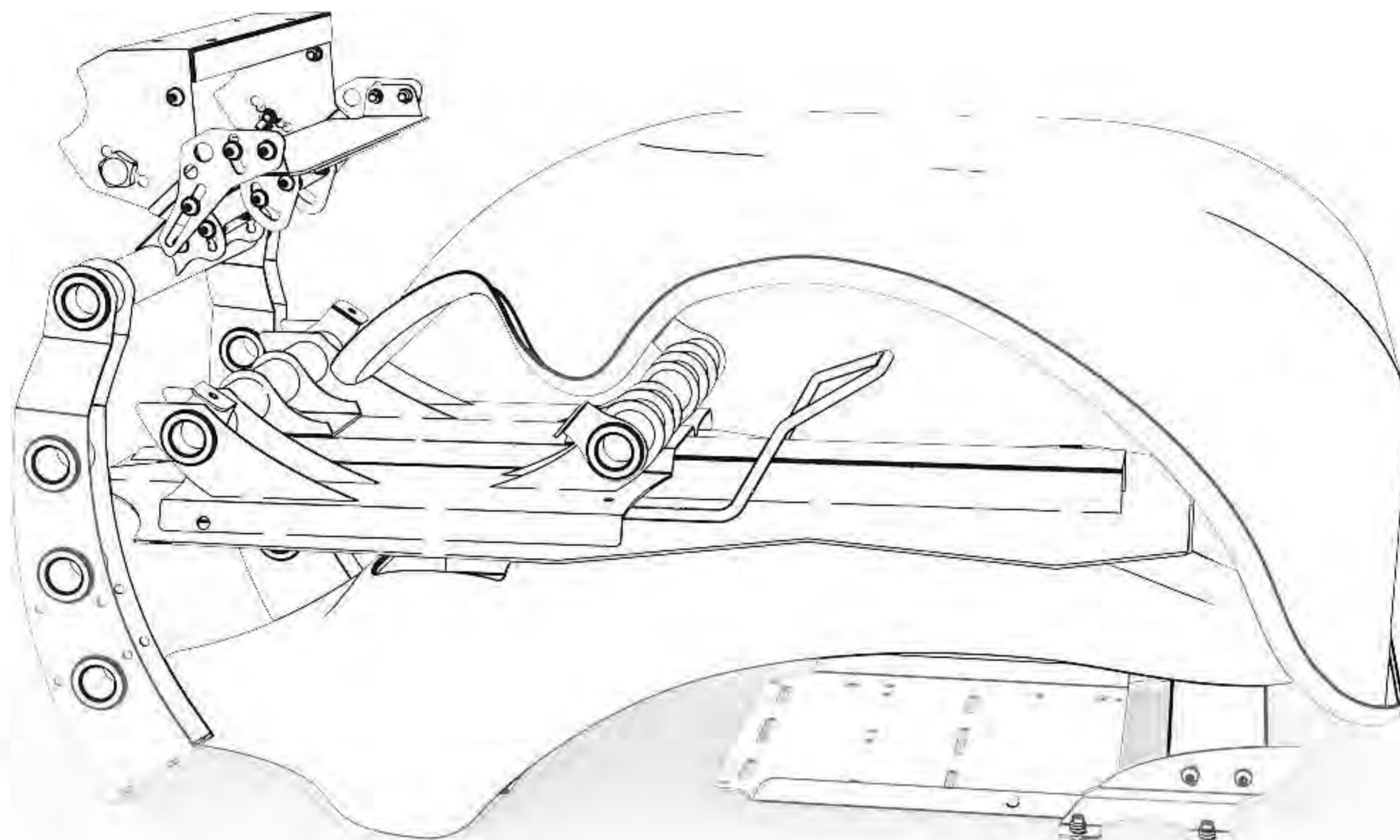
RS FORMULA V2

This instruction is developed to assist you in assembling of RSEAT RS FORMULA V2

Language: **EN**

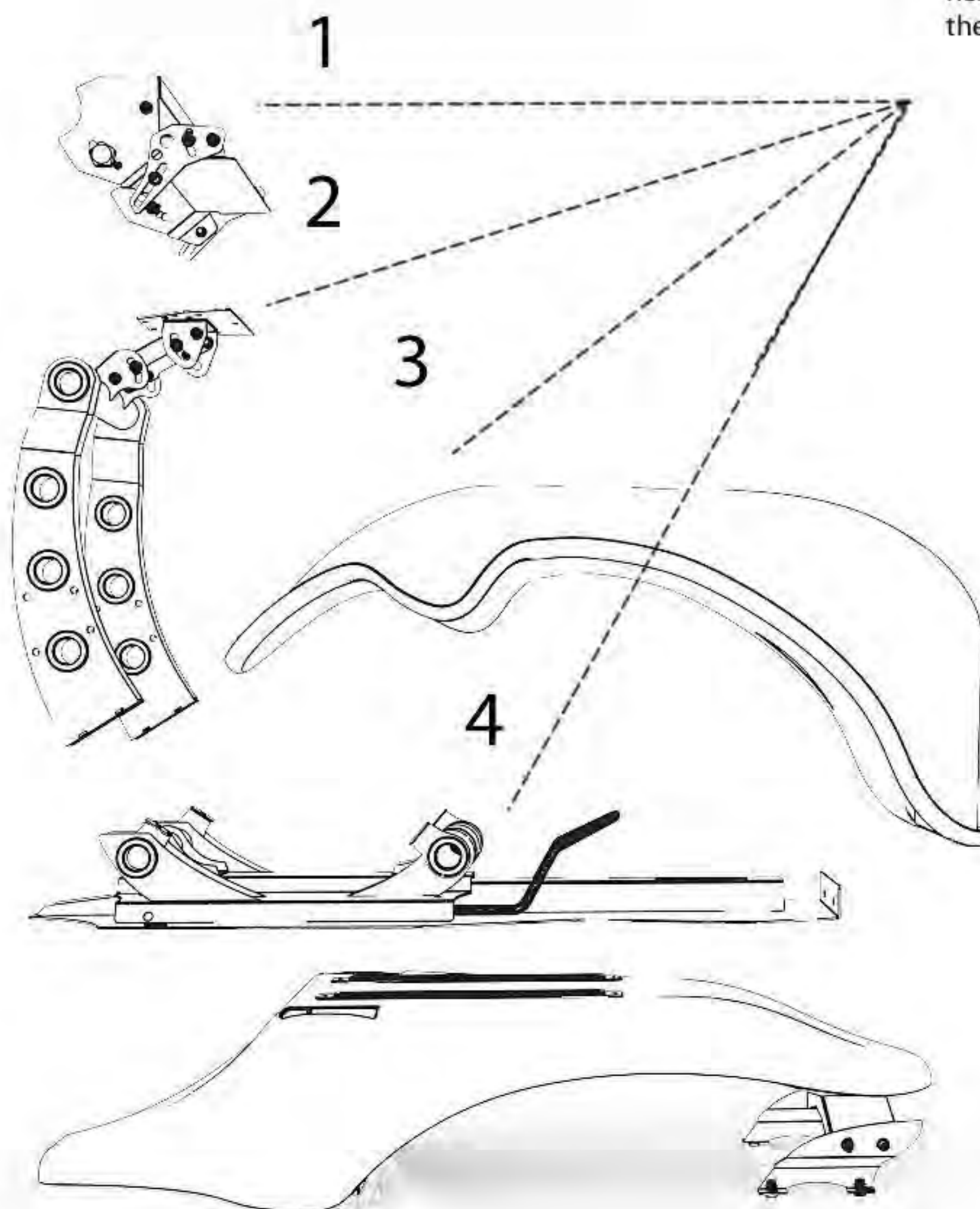
ASSEMBLY INSTRUCTIONS RS FORMULA V2 EN

1 RS Formula V2 box assembly.



2

Release the RS Formula V2 parts from the box in the following order:



WARNINGS

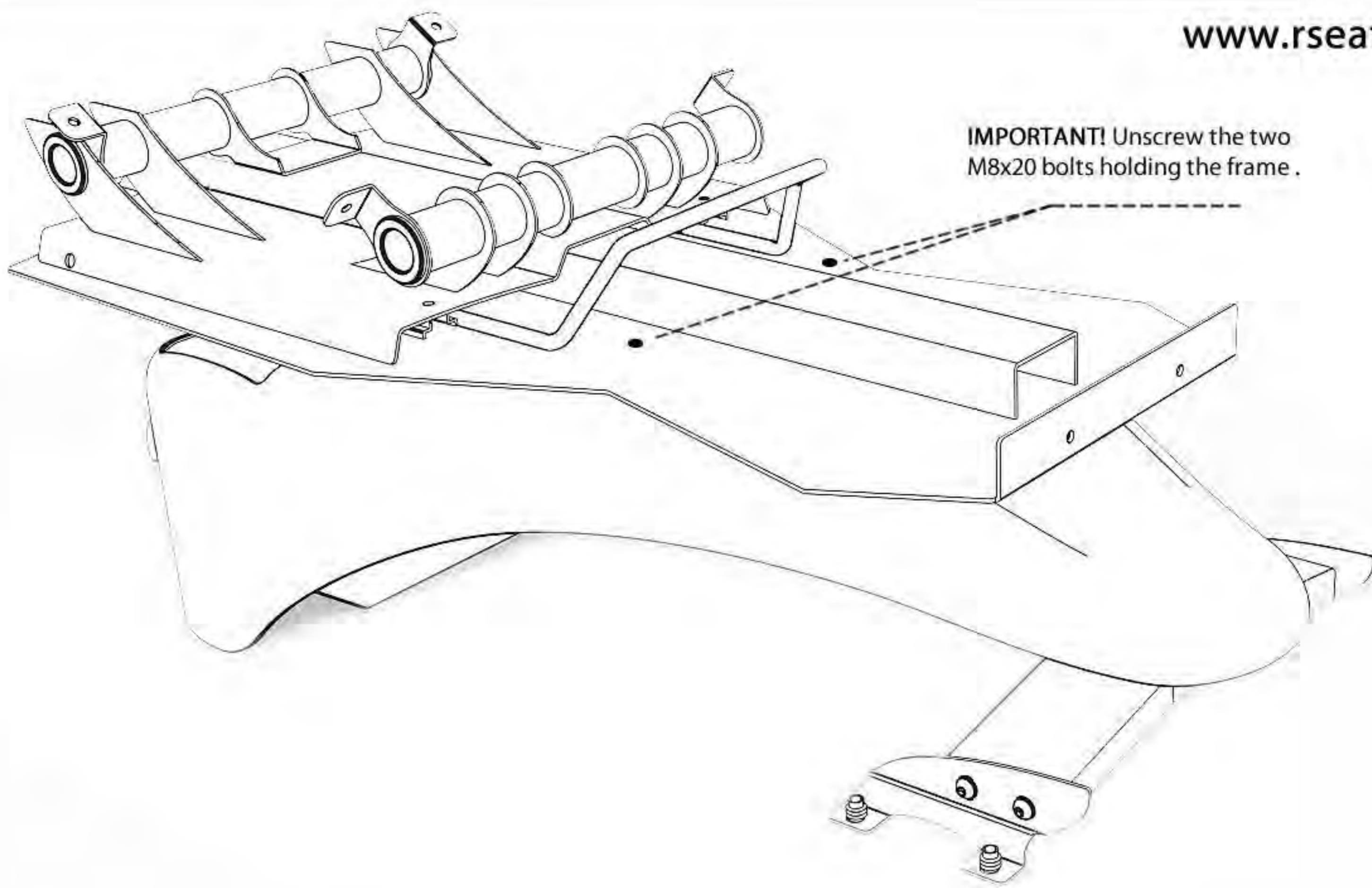
Before you begin assembling this simulator, please read all installation instructions and warnings thoroughly.

FAILURE TO COMPLY WITH OR OBSERVE ALL ASSEMBLY, SAFETY AND OPERATION INSTRUCTIONS AND WARNINGS REGARDING THE USE OF THIS PRODUCT MAY RESULT IN SERIOUS BODILY INJURY.

This simulator complies with the prescribed safety regulations. Inappropriate use may cause damage to persons and simulator.

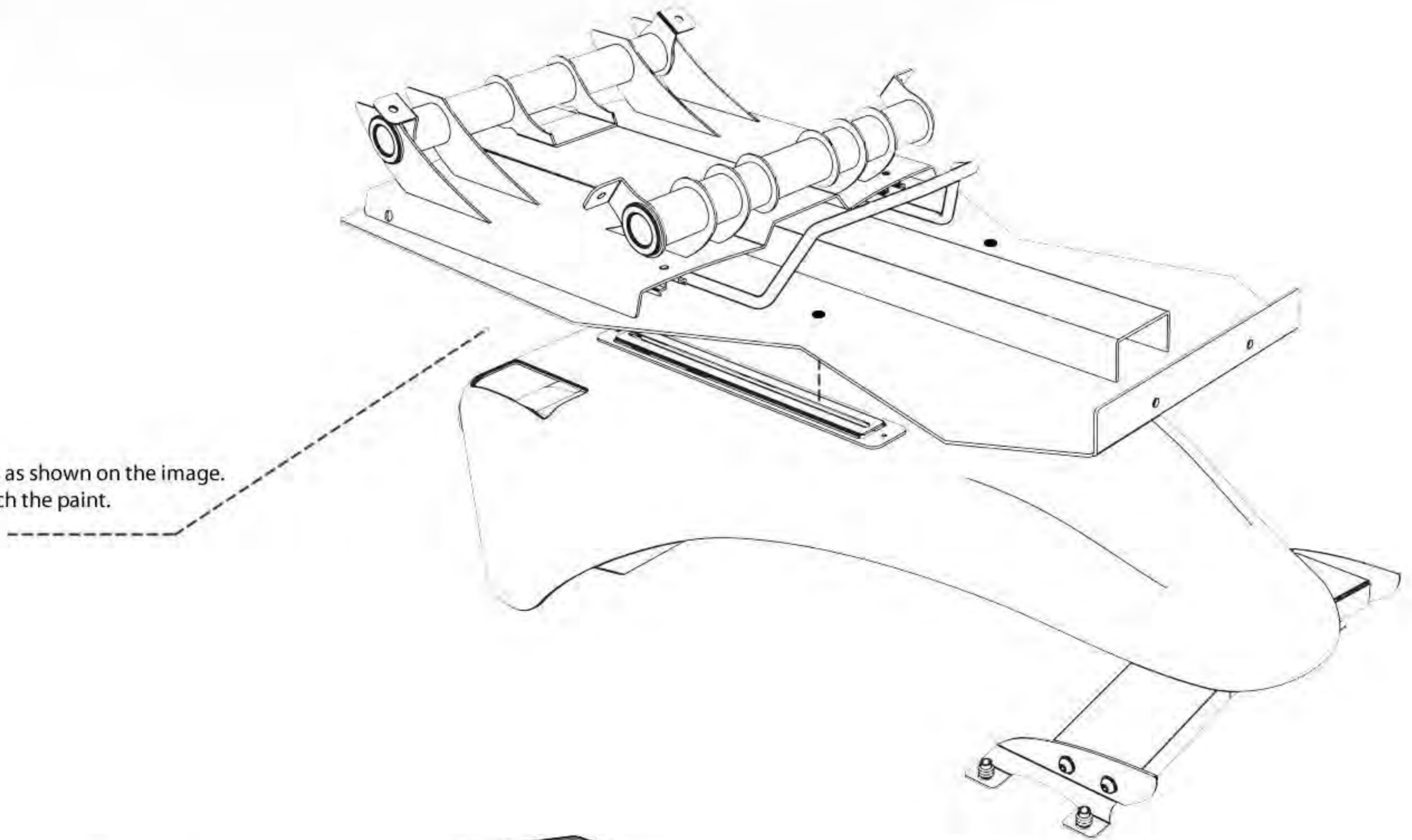
IMPORTANT! Unscrew the two
M8x20 bolts holding the frame.

Language: **EN**



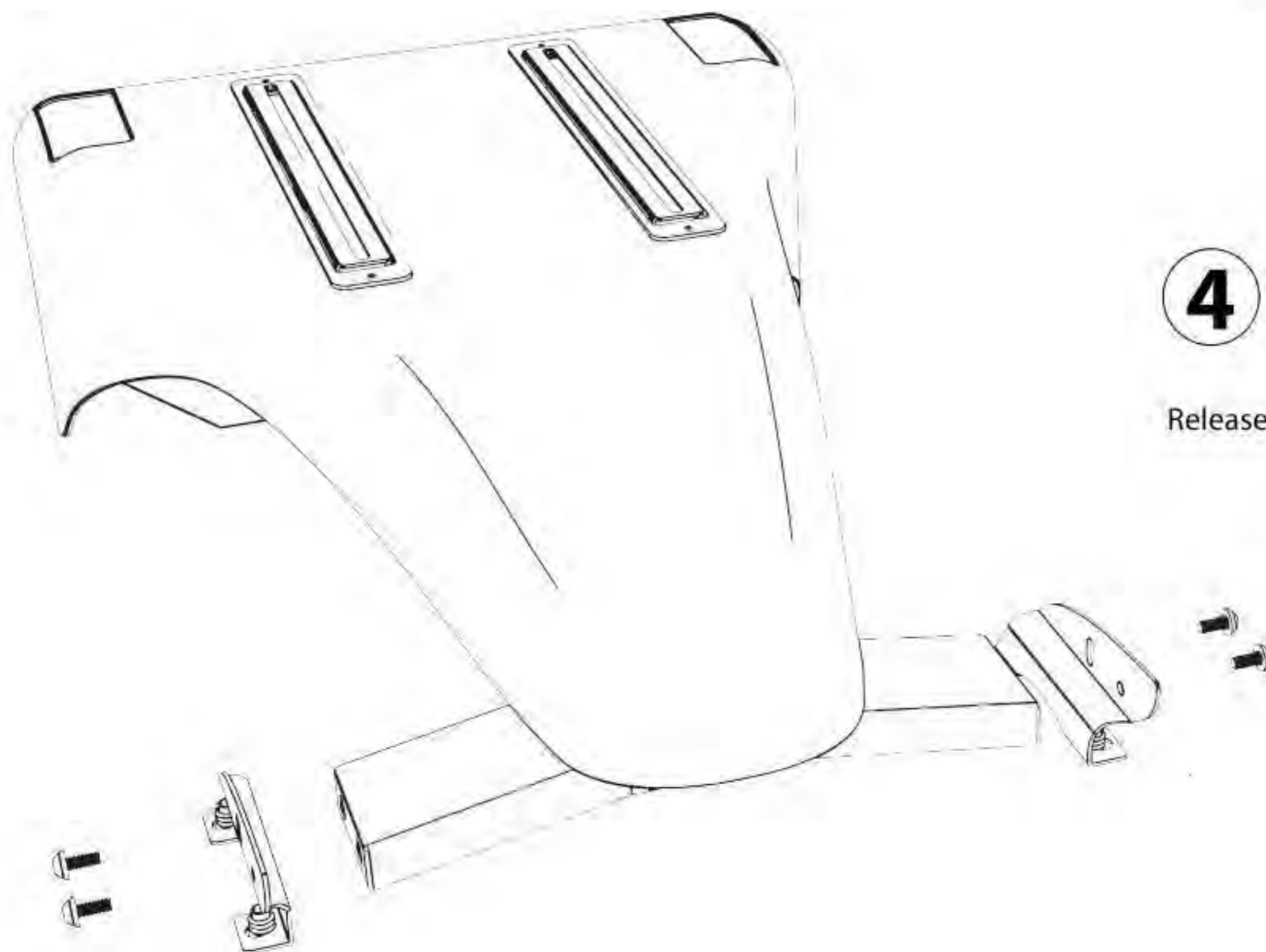
3

Disassemble the parts as shown on the image.
Take care to not scratch the paint.



4

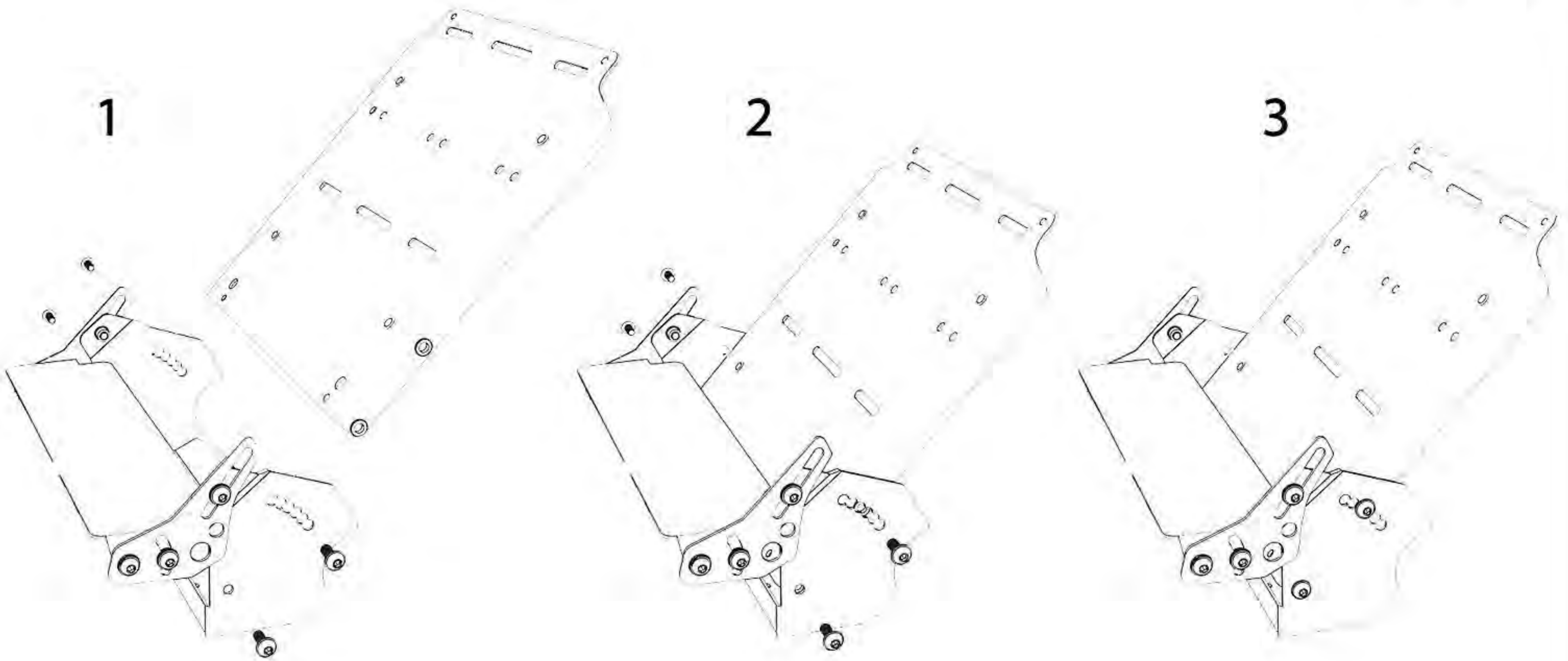
Release the front feeds from the frame as on the image.



5

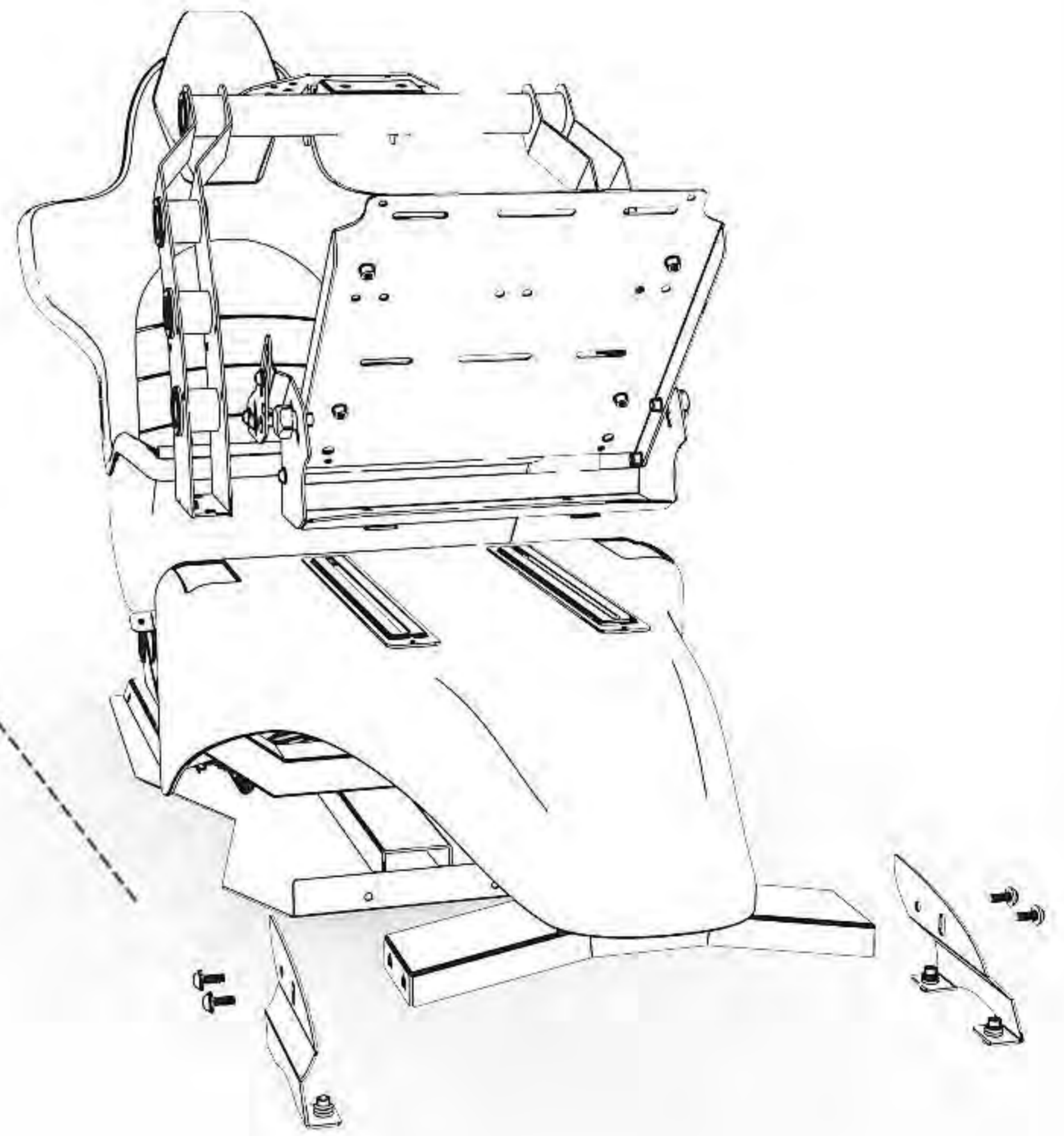
Assemble the pedal plate in the following order:

Language: **EN**



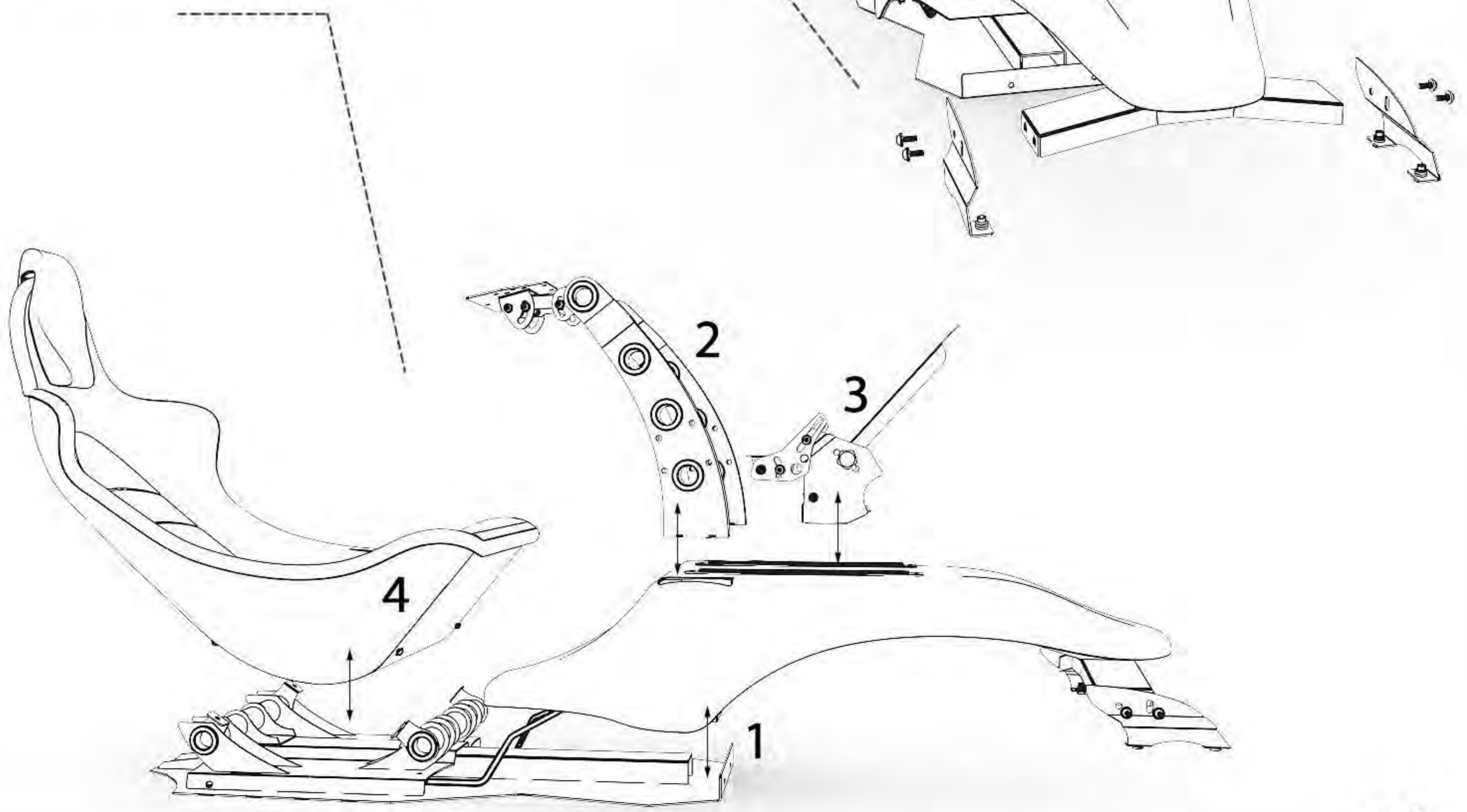
6

Install the front feet as shown on the image.

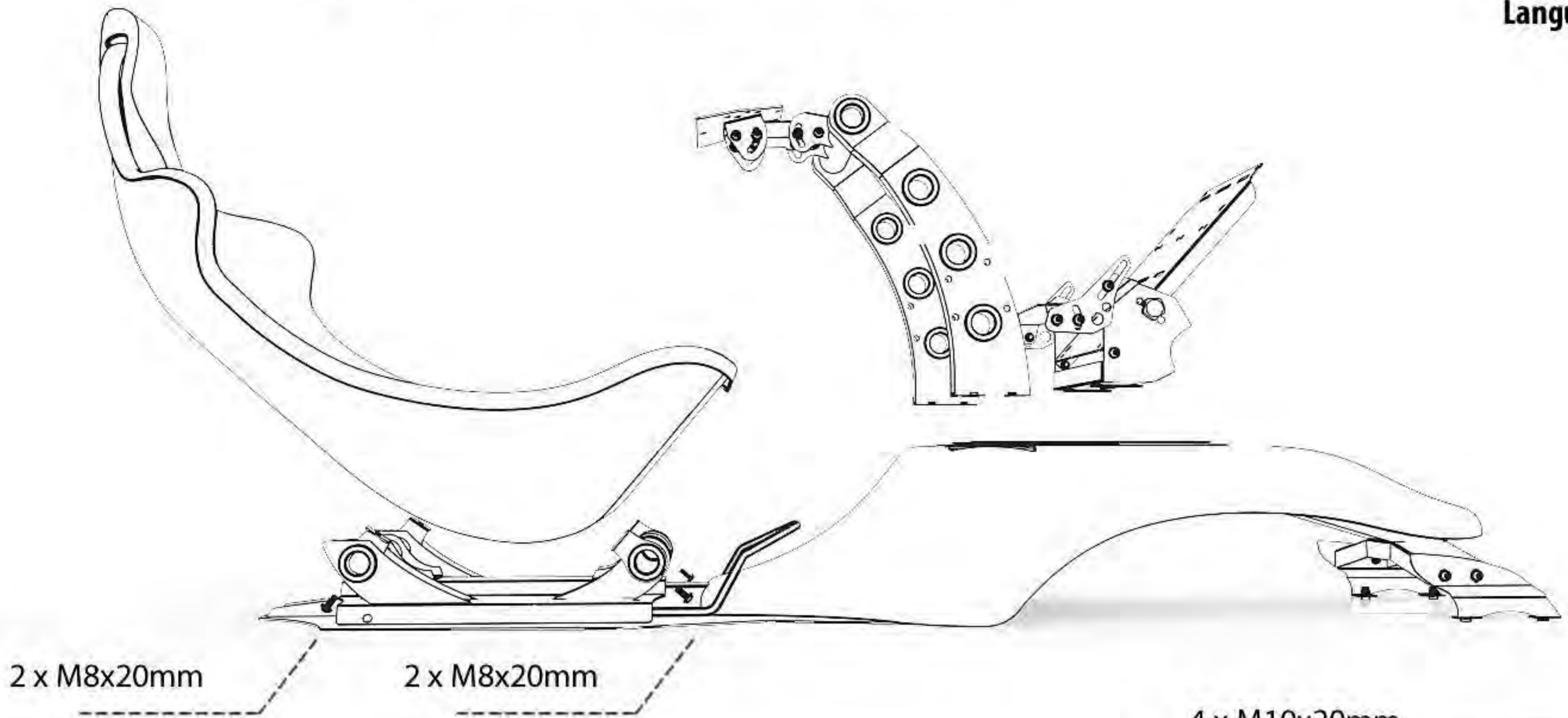


7

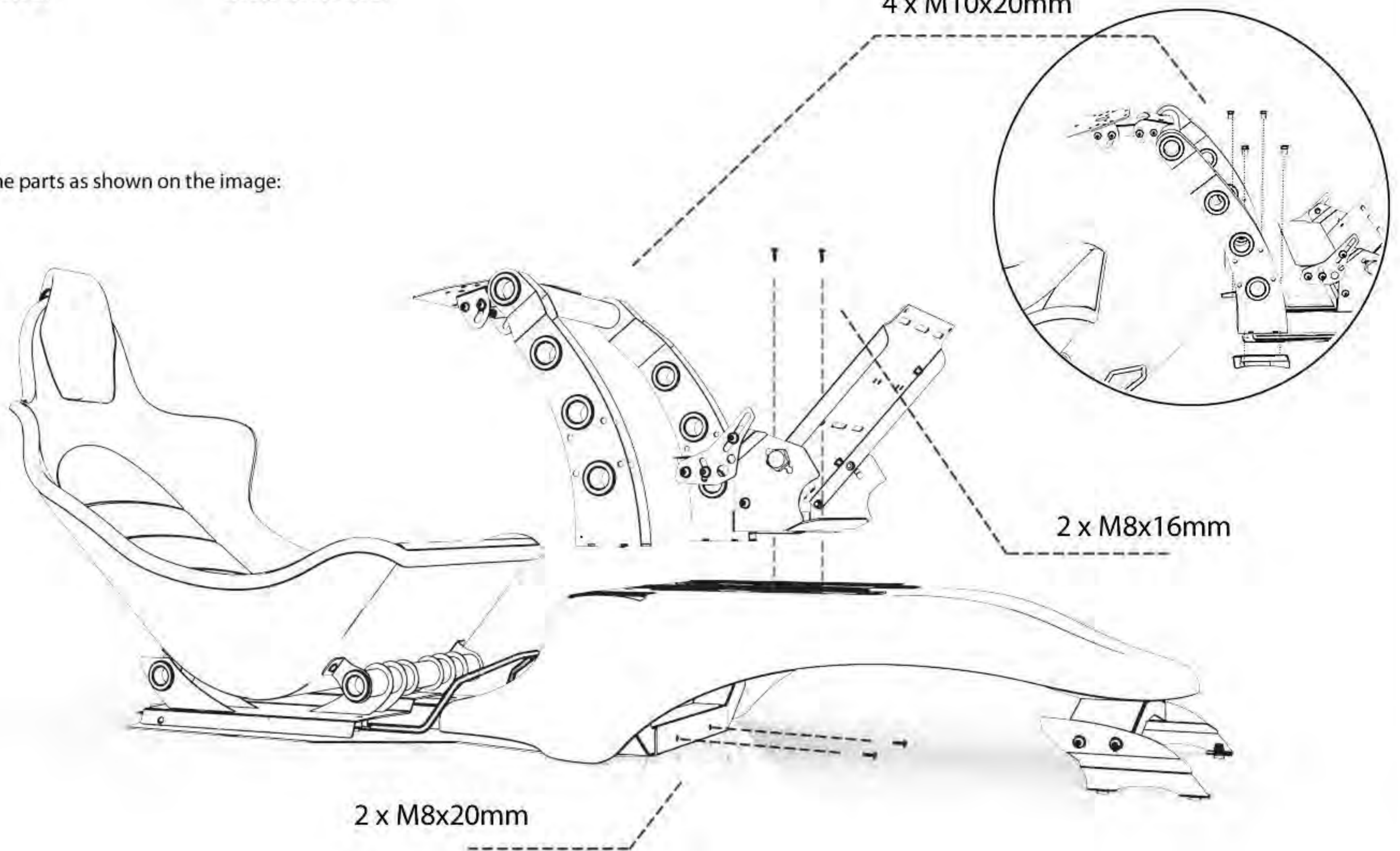
Assemble the RS Formula v2 in the following order:



8 Install the seat using the bolts already mounted on the seat



9 Install the parts as shown on the image:



10 The RS Formula V2 is ready.
Use the screws and tools provided to attach your wheel and pedlas.

