

RS FORMULA V2

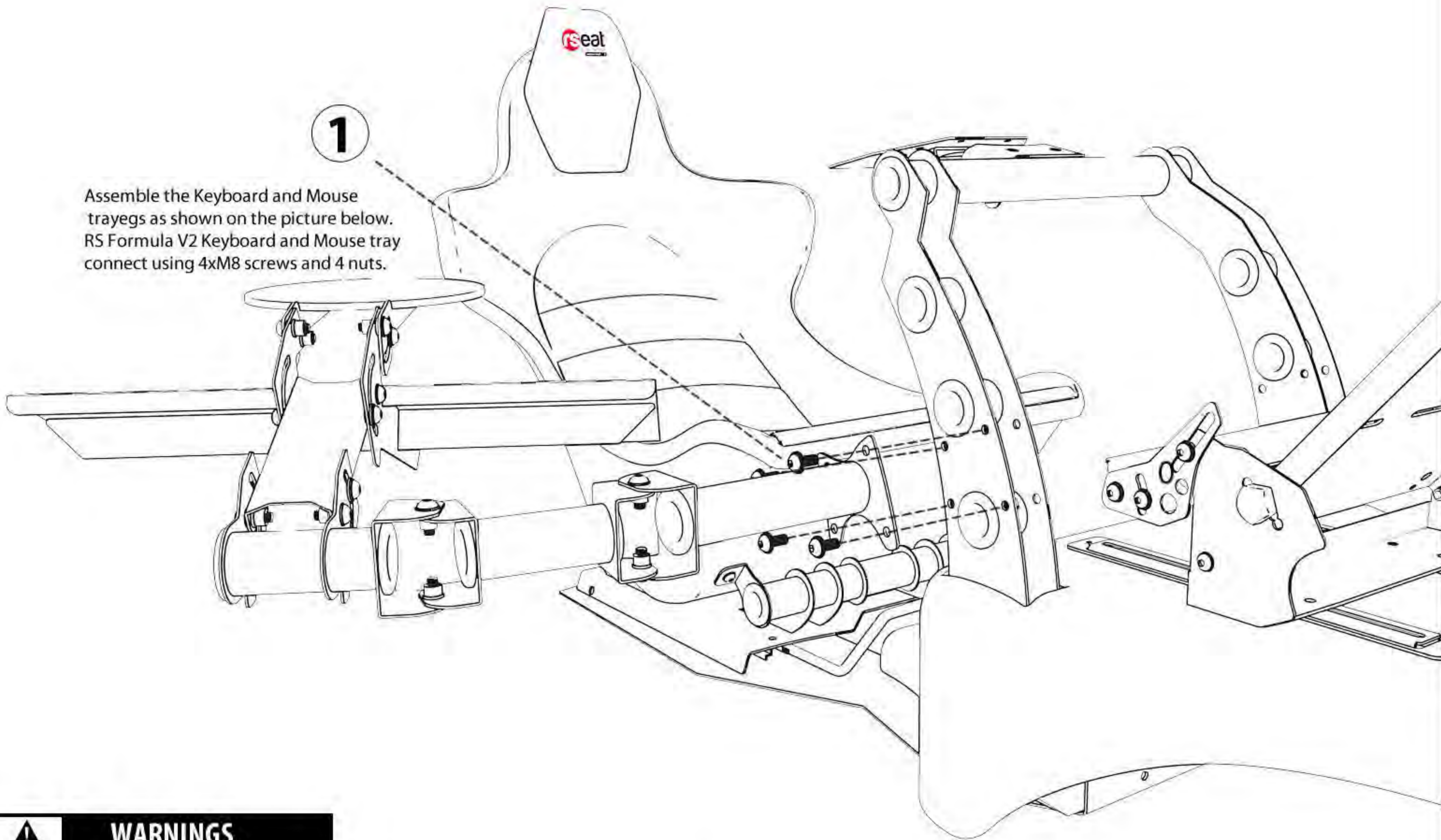
This instruction is developed to assist you in assembling of RSEAT RS FORMULA V2 Keyboard and Mouse Tray

Language: **EN**

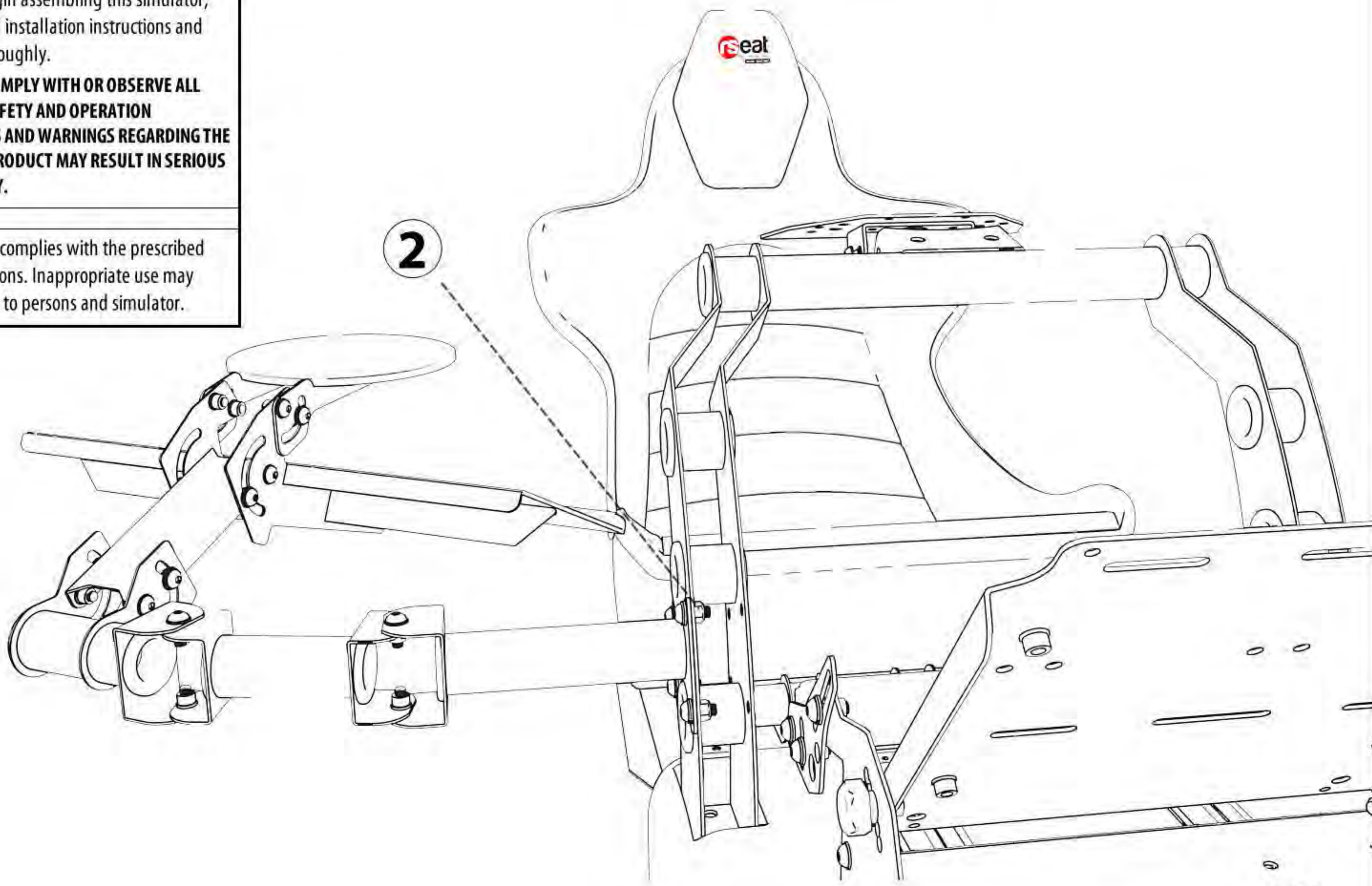
KEYBOARD AND MOUSE TRAY ASSEMBLY INSTRUCTIONS RS FORMULA V2 EN

1

Assemble the Keyboard and Mouse trayegs as shown on the picture below. RS Formula V2 Keyboard and Mouse tray connect using 4xM8 screws and 4 nuts.



2



⚠ WARNINGS

Before you begin assembling this simulator, please read all installation instructions and warnings thoroughly.

FAILURE TO COMPLY WITH OR OBSERVE ALL ASSEMBLY, SAFETY AND OPERATION INSTRUCTIONS AND WARNINGS REGARDING THE USE OF THIS PRODUCT MAY RESULT IN SERIOUS BODILY INJURY.

This simulator complies with the prescribed safety regulations. Inappropriate use may cause damage to persons and simulator.