



### ASSEMBLY INSTRUCTIONS RSEAT RS1

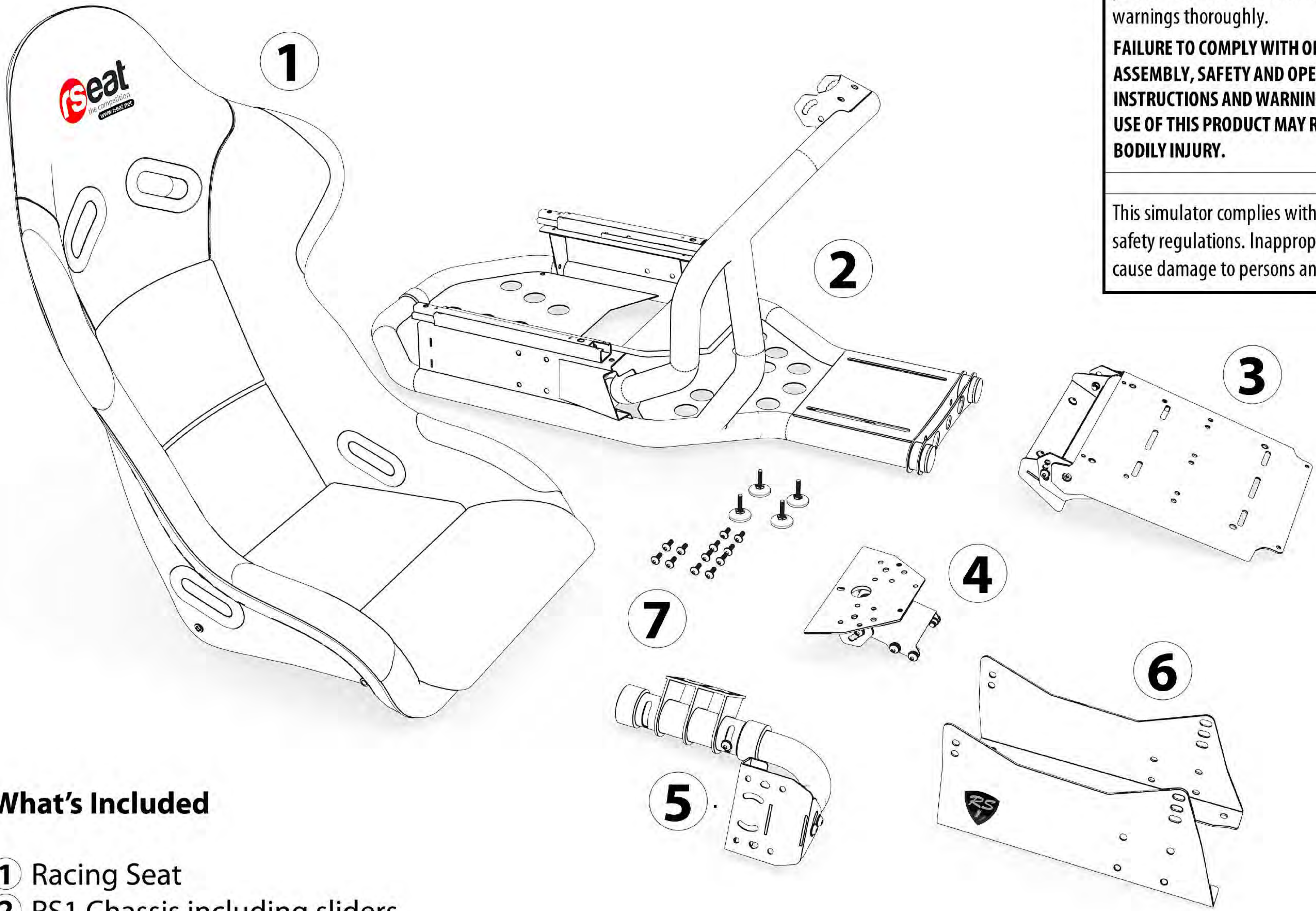
Thank you for choosing RSEAT. This instruction is developed to assist you in assembling of RSEAT RS1.

**⚠ WARNINGS**

Before you begin assembling this simulator, please read all installation instructions and warnings thoroughly.

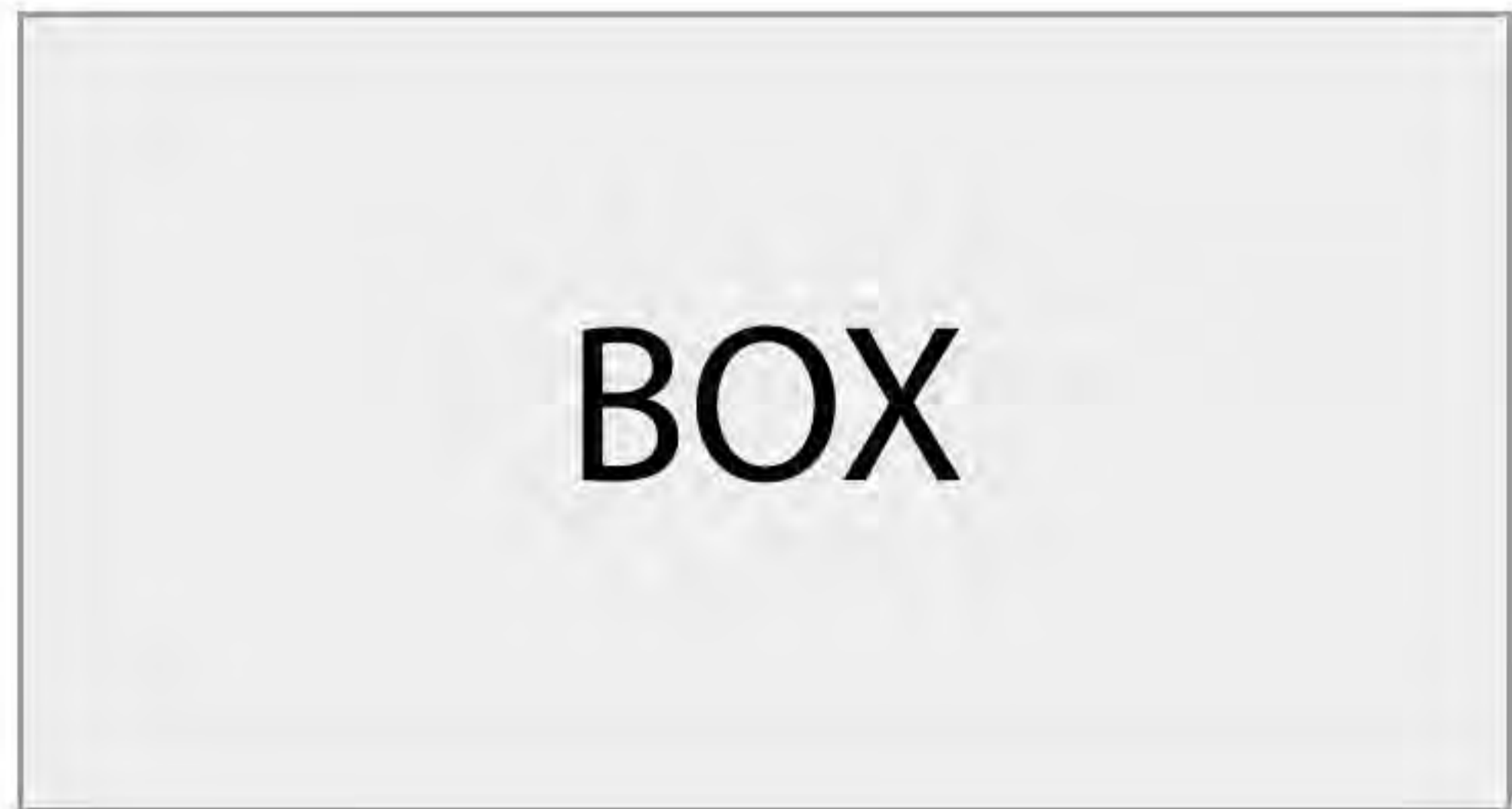
**FAILURE TO COMPLY WITH OR OBSERVE ALL ASSEMBLY, SAFETY AND OPERATION INSTRUCTIONS AND WARNINGS REGARDING THE USE OF THIS PRODUCT MAY RESULT IN SERIOUS BODILY INJURY.**

This simulator complies with the prescribed safety regulations. Inappropriate use may cause damage to persons and simulator.

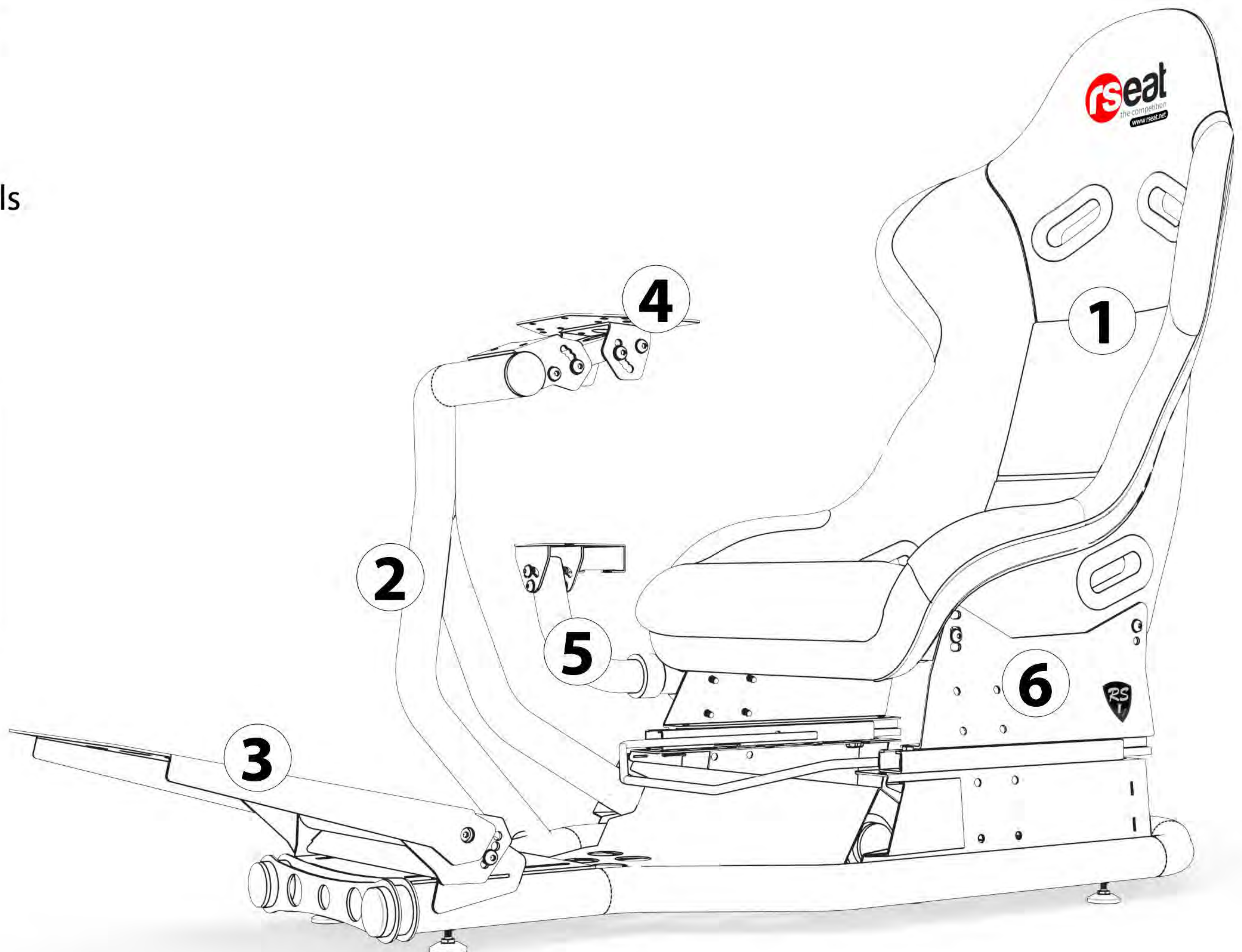


#### What's Included

- ① Racing Seat
- ② RS1 Chassis including sliders for the seat.
- ③ RS1 Pedal mount support
- ④ Wheel Mount Support
- ⑤ Gear Shifter Mount
- ⑥ Racing seat side mounts
- ⑦ Foot Steps, Screws and tools for the Assembly



L/W/H - 119/65/65cm  
(46.85"/25.6"/25.6")

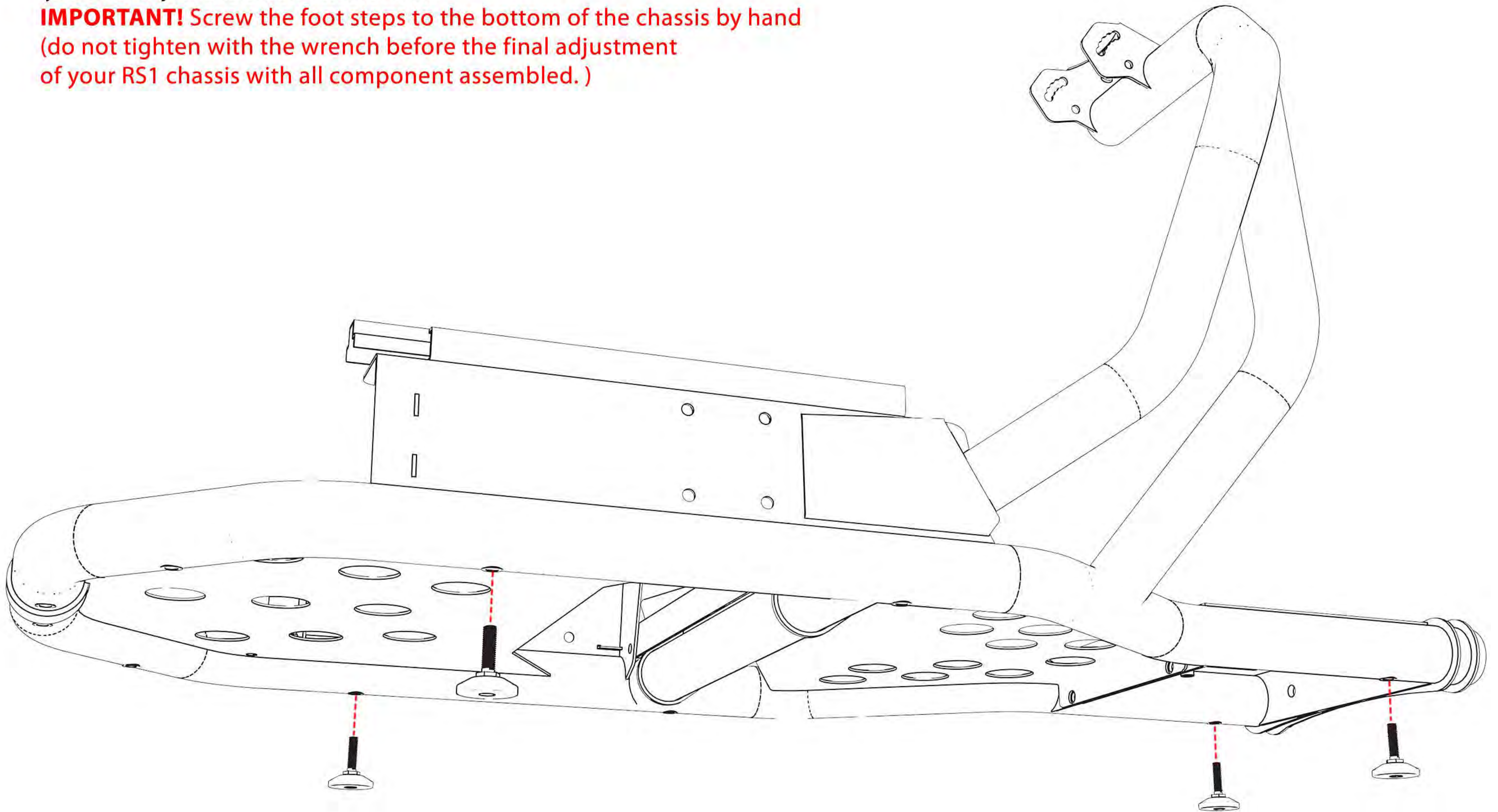


# RSEAT RS1 CHASSIS Assembly

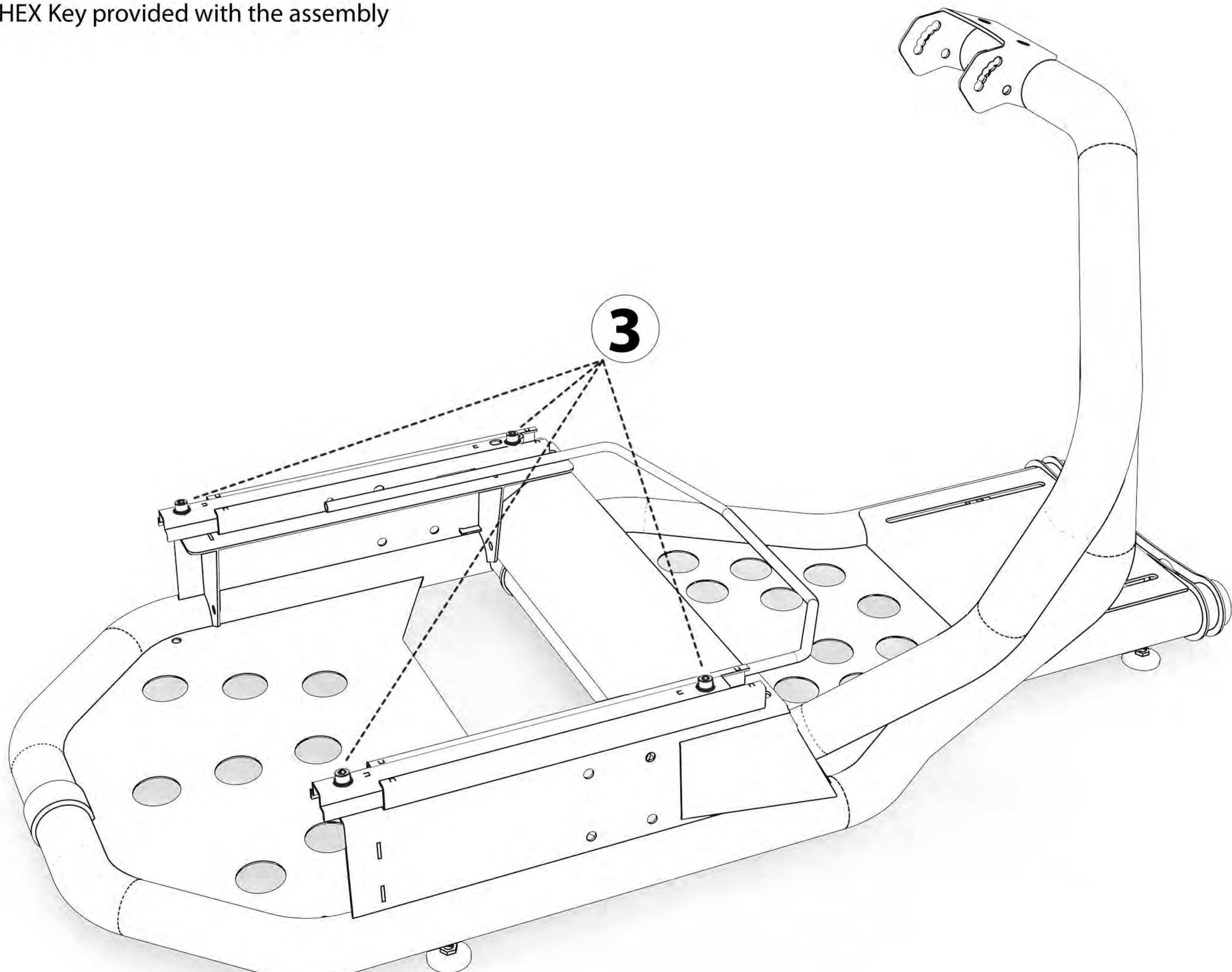
Bring the RS1 chassis out of box. Remove all the transport packaging including carton protection and Stretch wrap film.

- 1 Install the 4 x foot steps (M8 thread) to the RS1 chassis (from package 7). Use the 10mm wrench provided to adjust later on when you final adjust the chassis to the floor.

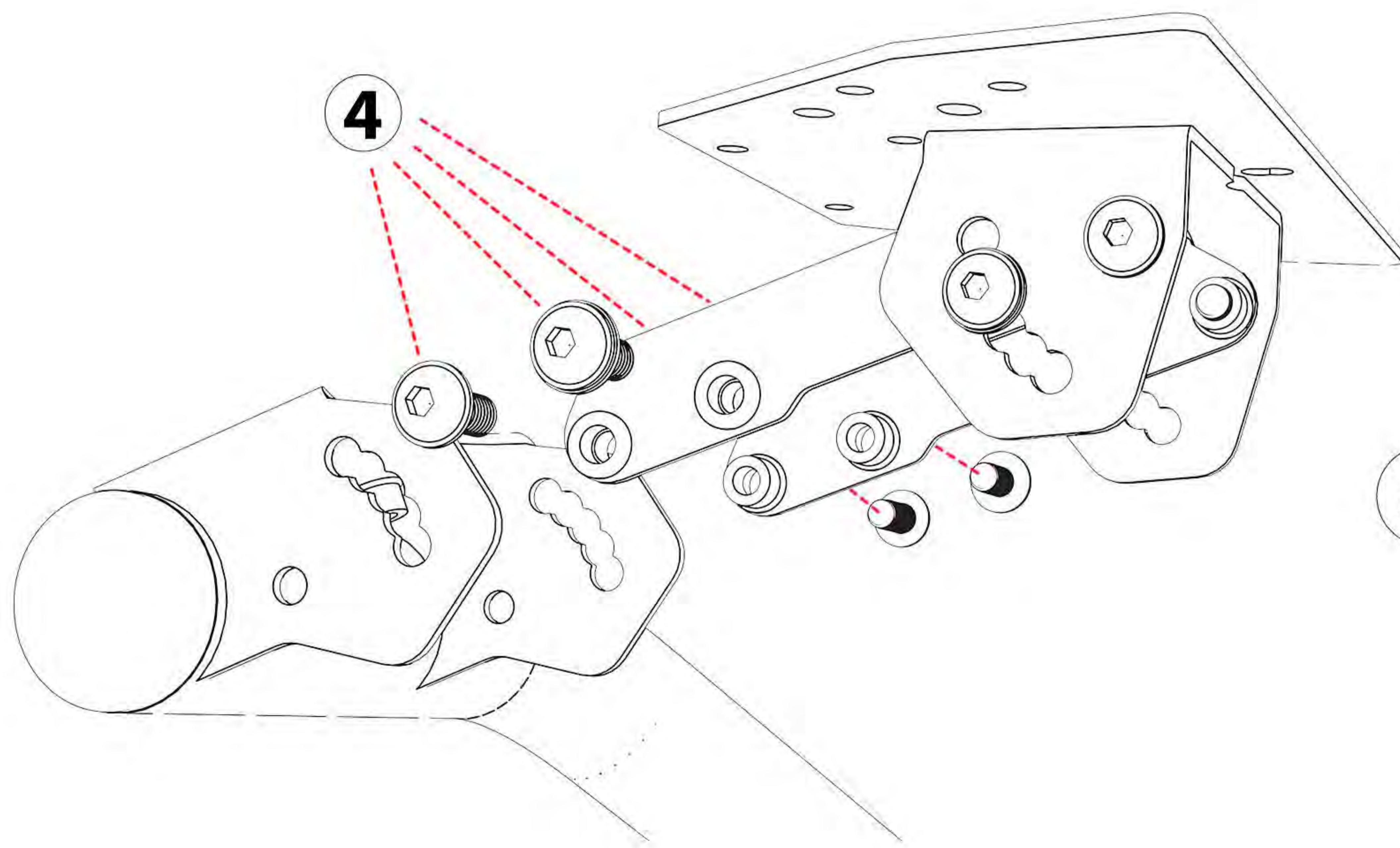
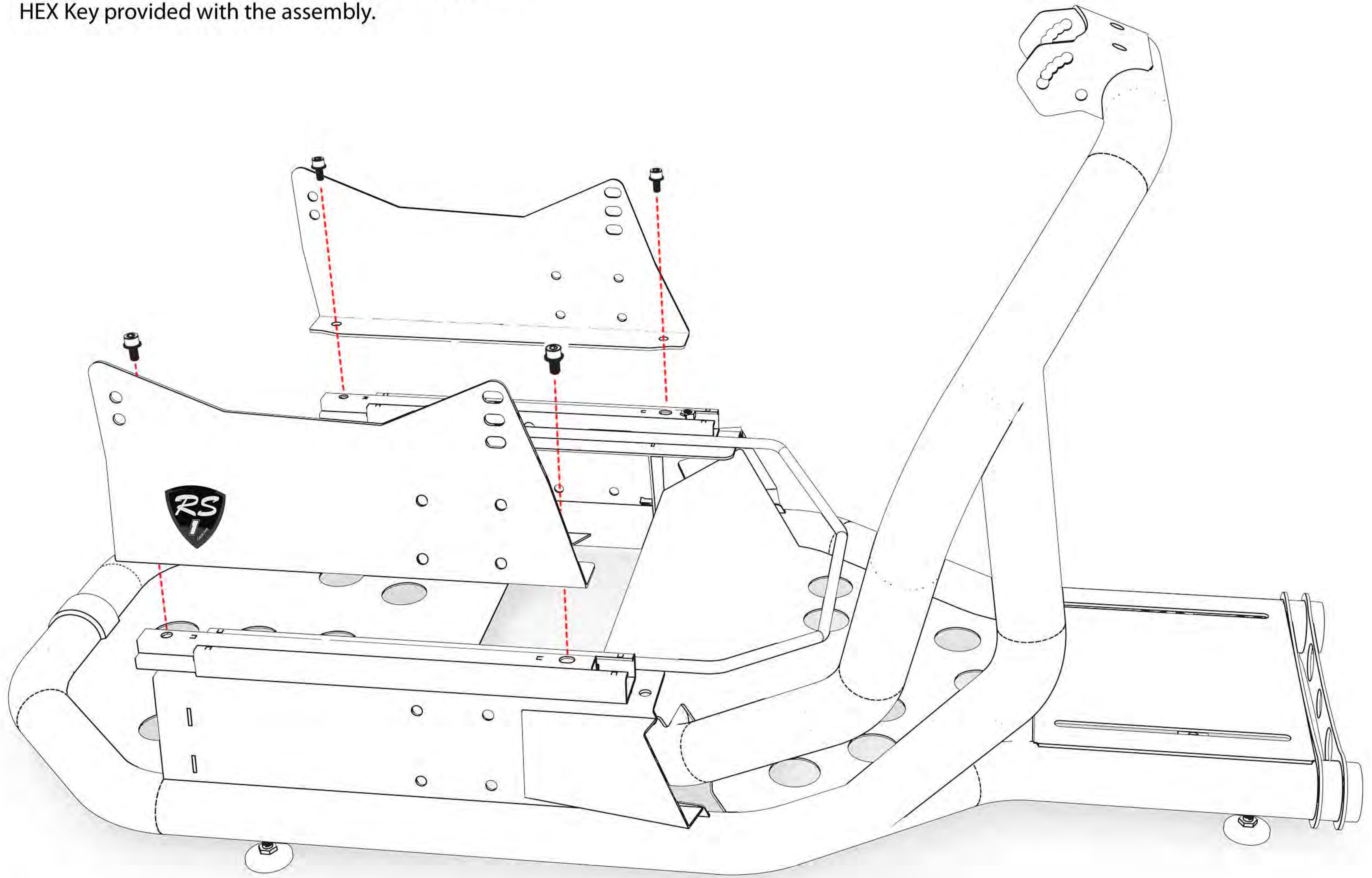
**IMPORTANT!** Screw the foot steps to the bottom of the chassis by hand (do not tighten with the wrench before the final adjustment of your RS1 chassis with all component assembled.)



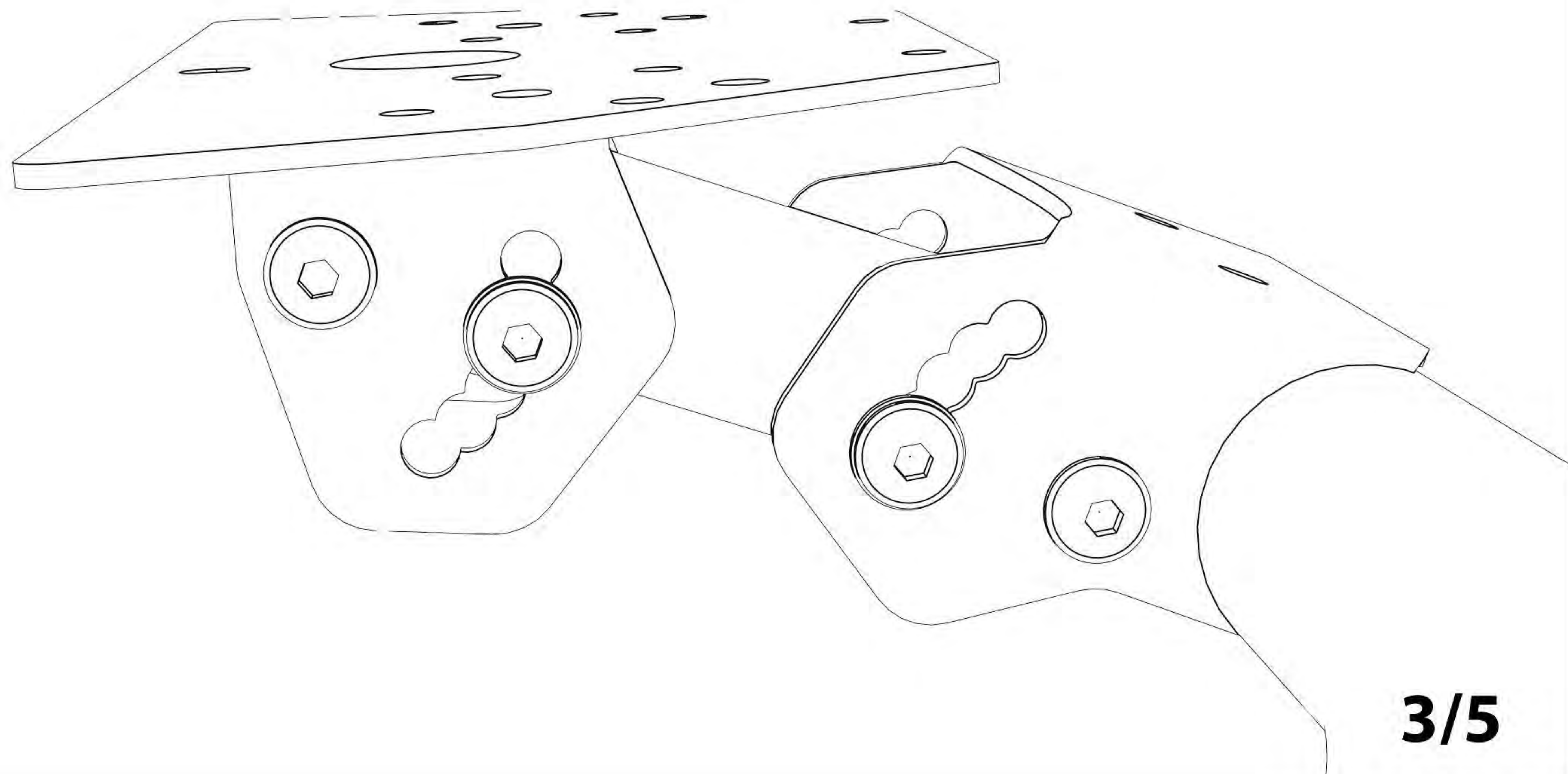
- 2 Remove the 4 screws M8 x 16mm (2 per slider) with the 6mm HEX Key provided with the assembly



- 3** Install the RS1 seat side mounts with the 4 x (M8 x 16mm) screws (2 per slider) with the 6mm HEX Key provided with the assembly.

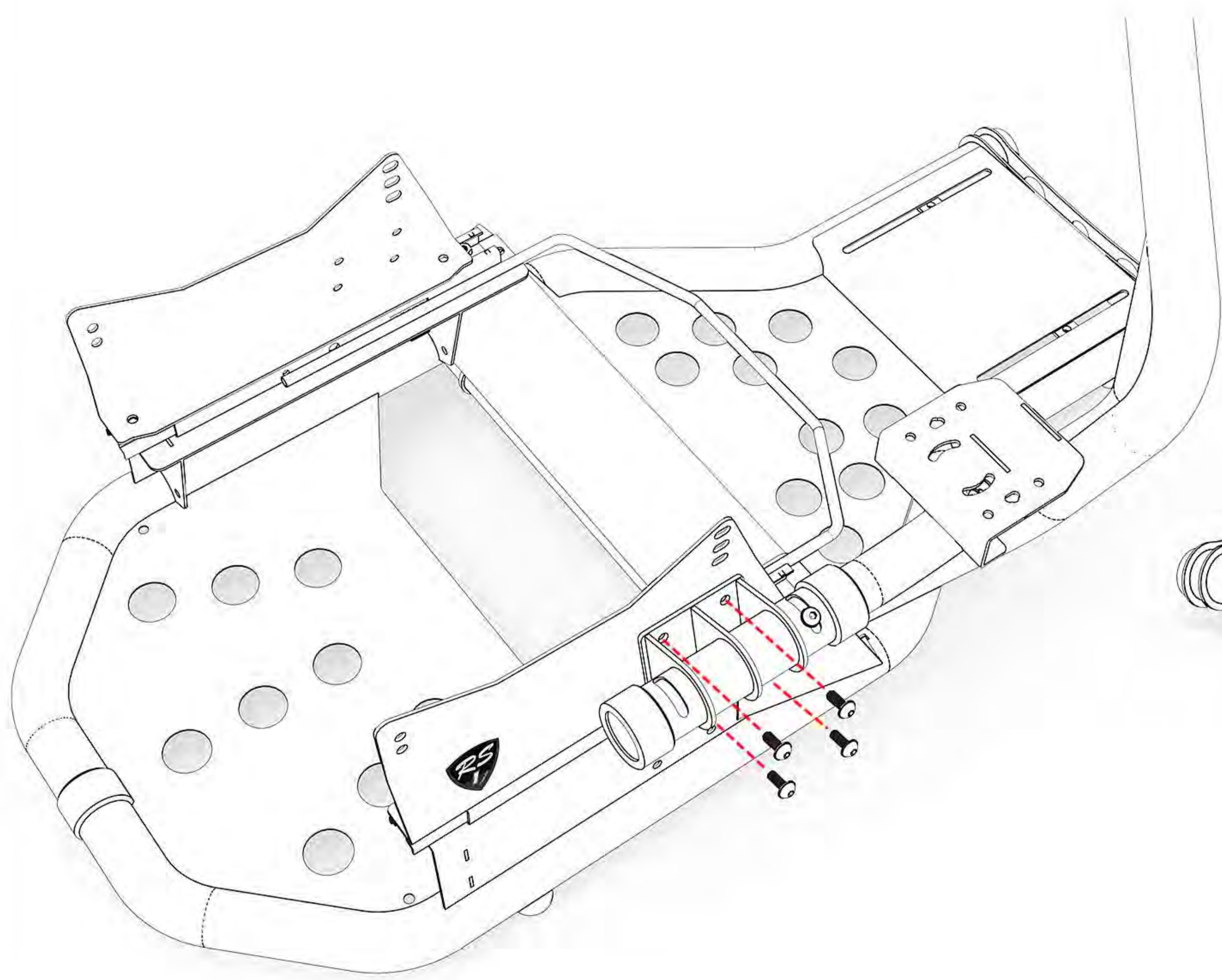


- 4** Remove the M8 x 20 screws from the Wheel mount bracket. Install the RS1 Wheel mount bracket using the 6mm HEX Key provided with the assembly. Install as shown on the image below.

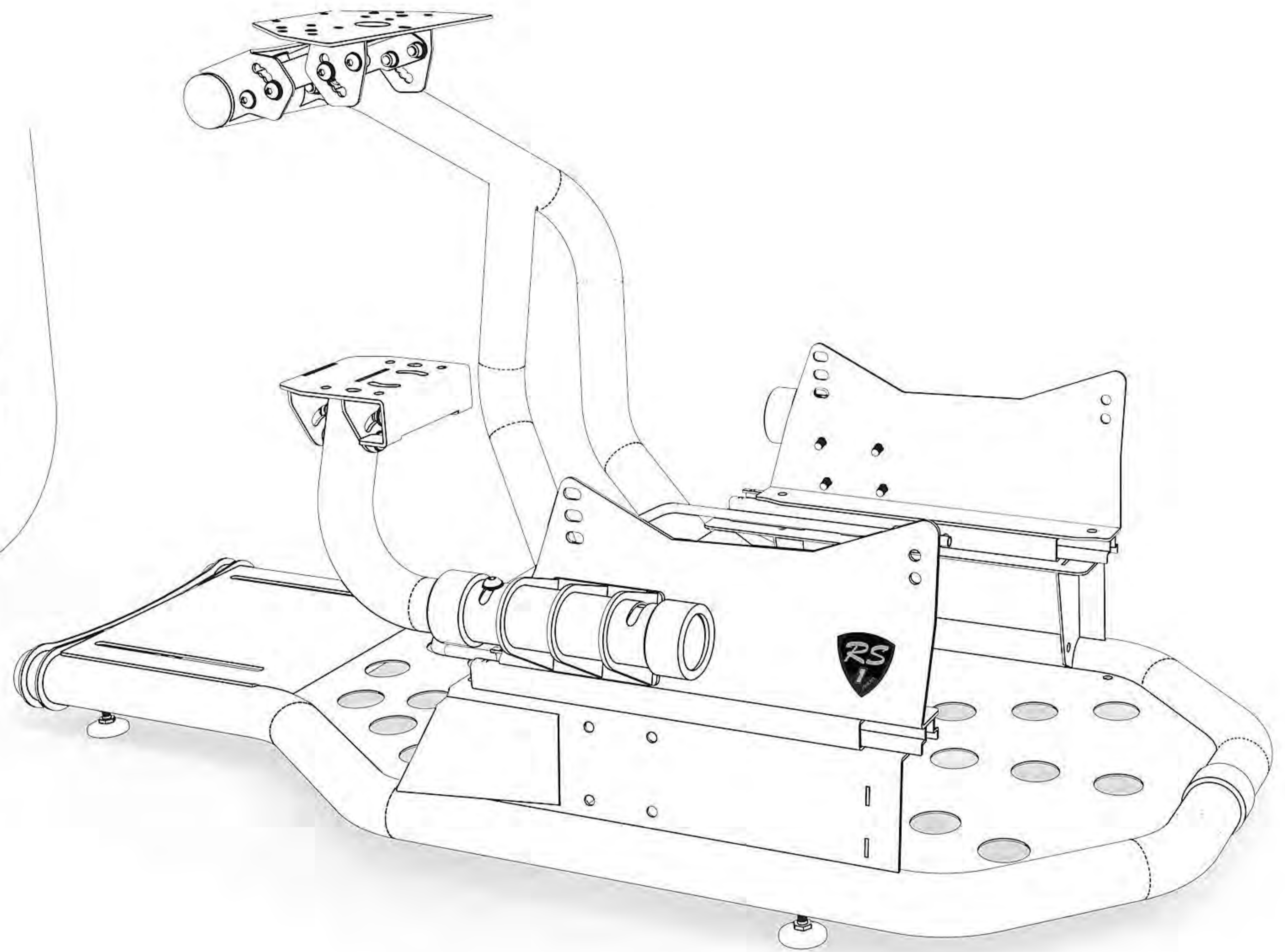


- 5** Install the Shifter Main bracket (5) to the RS1 Chassis using 4 x (M8x20mm) screws and 4 x M8 nuts provided with the package (7).  
Use the 13mm wrench and 6mm HEX Key to connect (5) to the RS1 chassis.  
Install as shown on the images below.

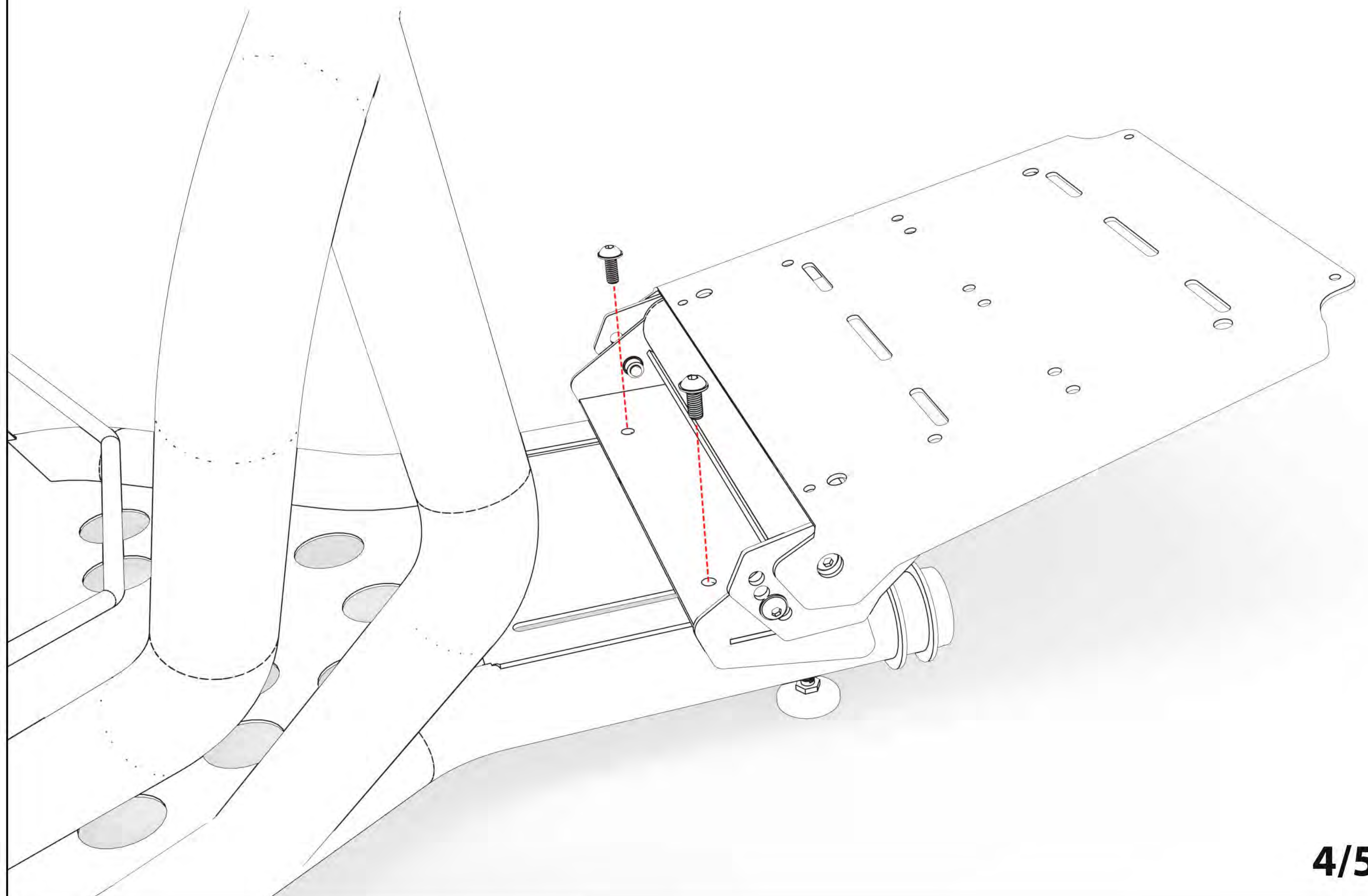
**Shifter/Handbrake Left hand drive**



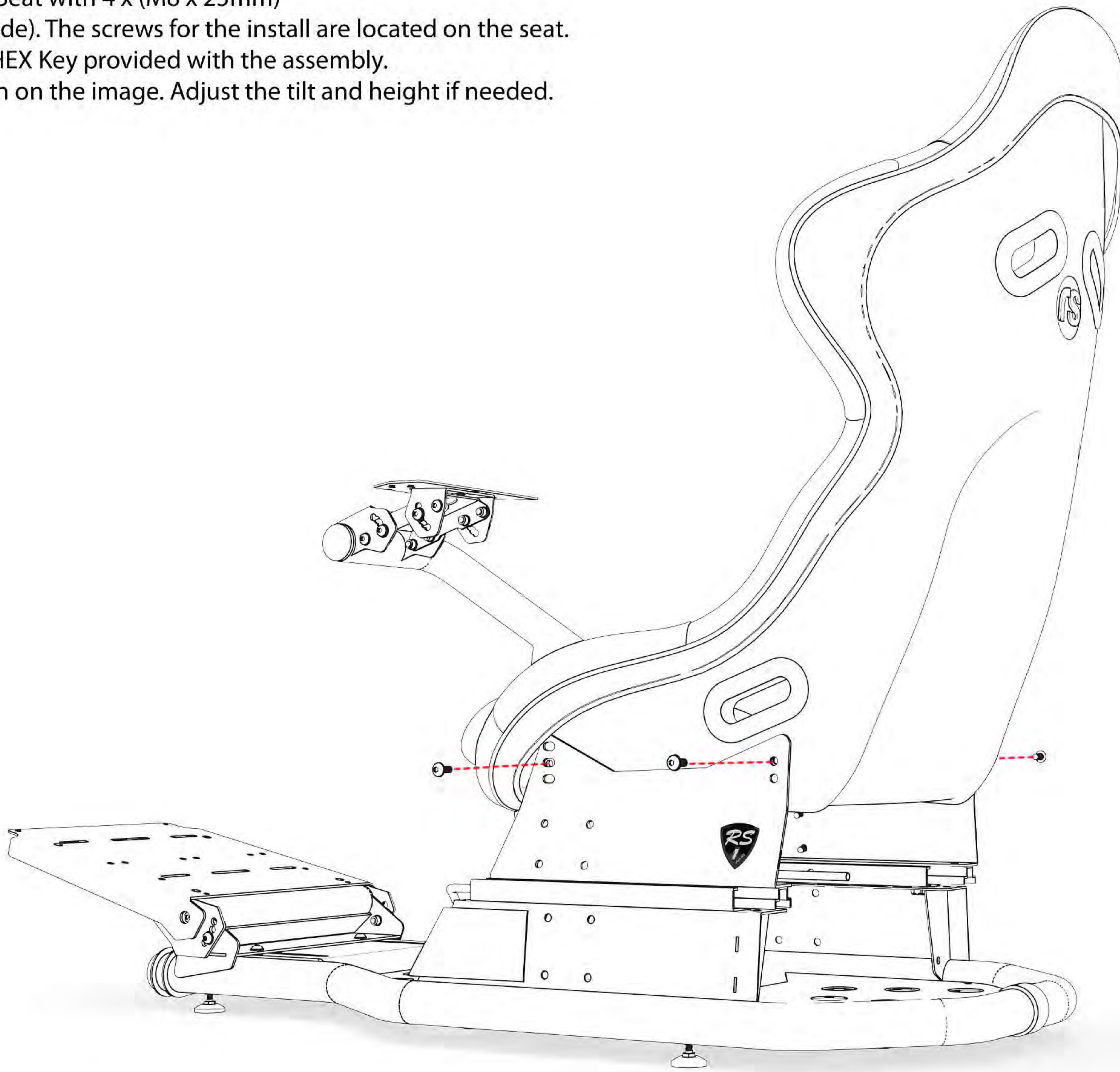
**Shifter/Handbrake Right hand drive**



- 6** Install the RS1 Pedal mount support using the 2 x (M8 x 20mm) screws using 6mm HEX Key provided with the assembly (7).  
Install as shown on the image below.



- 7** Install the RS1 Seat with 4 x (M8 x 25mm) screws (2 per side). The screws for the install are located on the seat. Use the 6mm HEX Key provided with the assembly. Install as shown on the image. Adjust the tilt and height if needed.



- 8** RSEAT RS1 Chassis is ready to use. You can now install upgrades if any.

- ① To Adjust the wheel position use the 6mm HEX Key
- ② To adjust the pedals angle use the 6mm HEX Key.
- ③ To Adjust the seat position use the 6mm HEX Key.
- ④ Seat slider bar. Pull and slide the seat front-back
- ⑤ To slide the pedals front-back use the 6mm HEX Key.
- ⑥ To Adjust the shifter position use the 6mm HEX Key.

