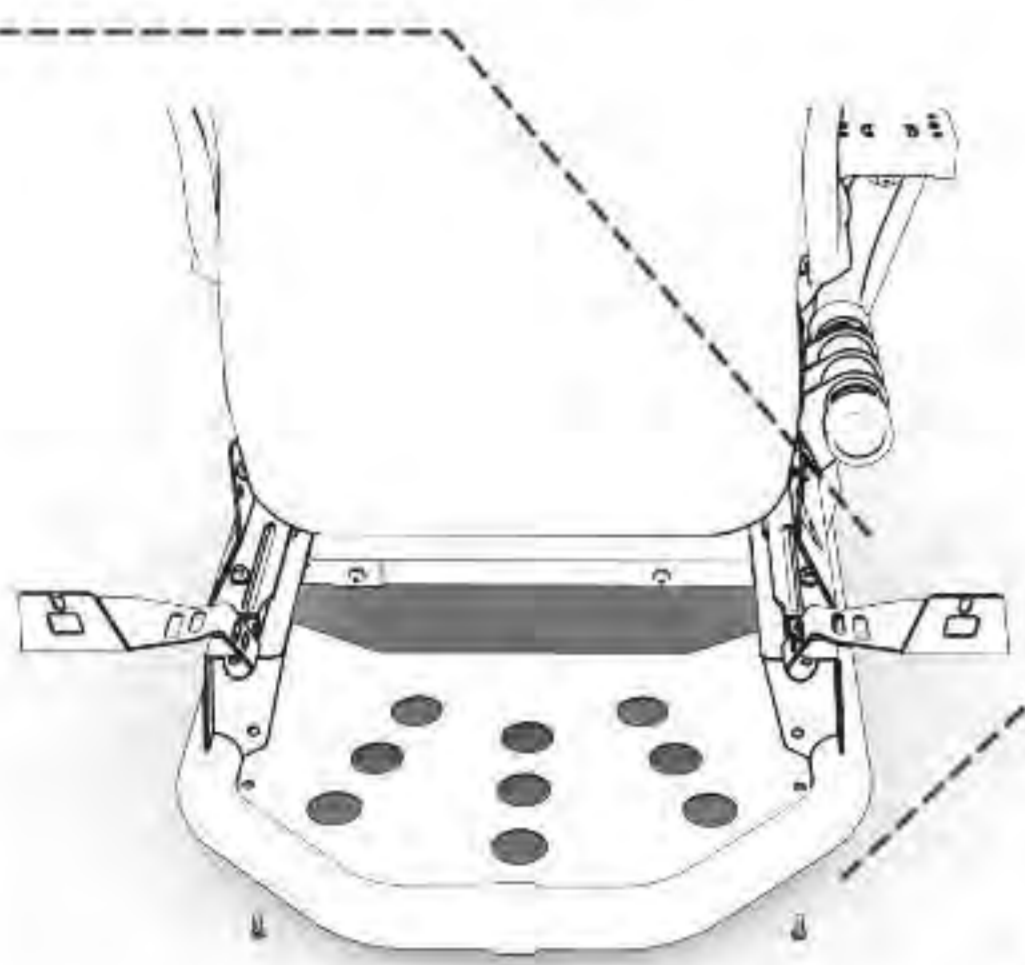


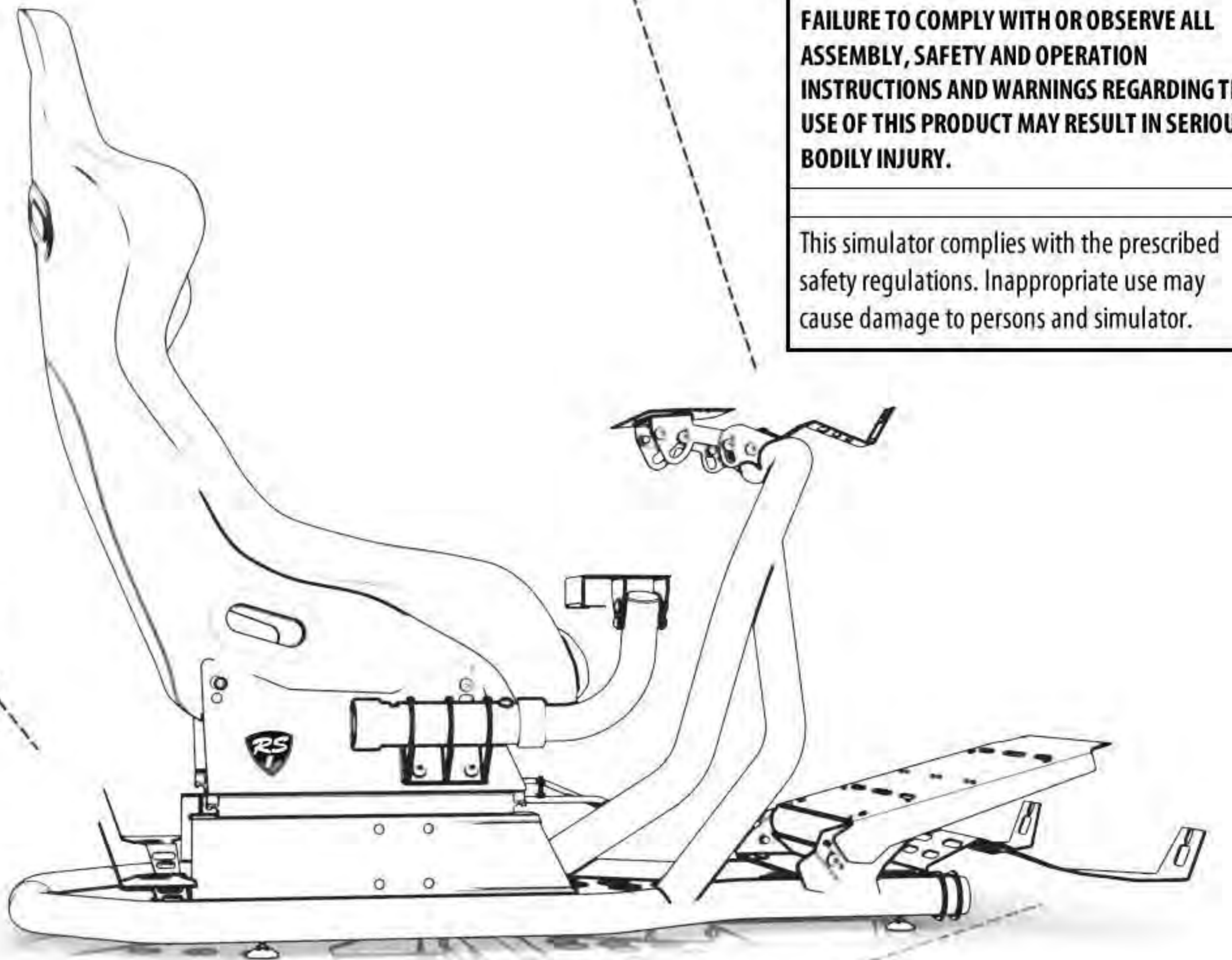
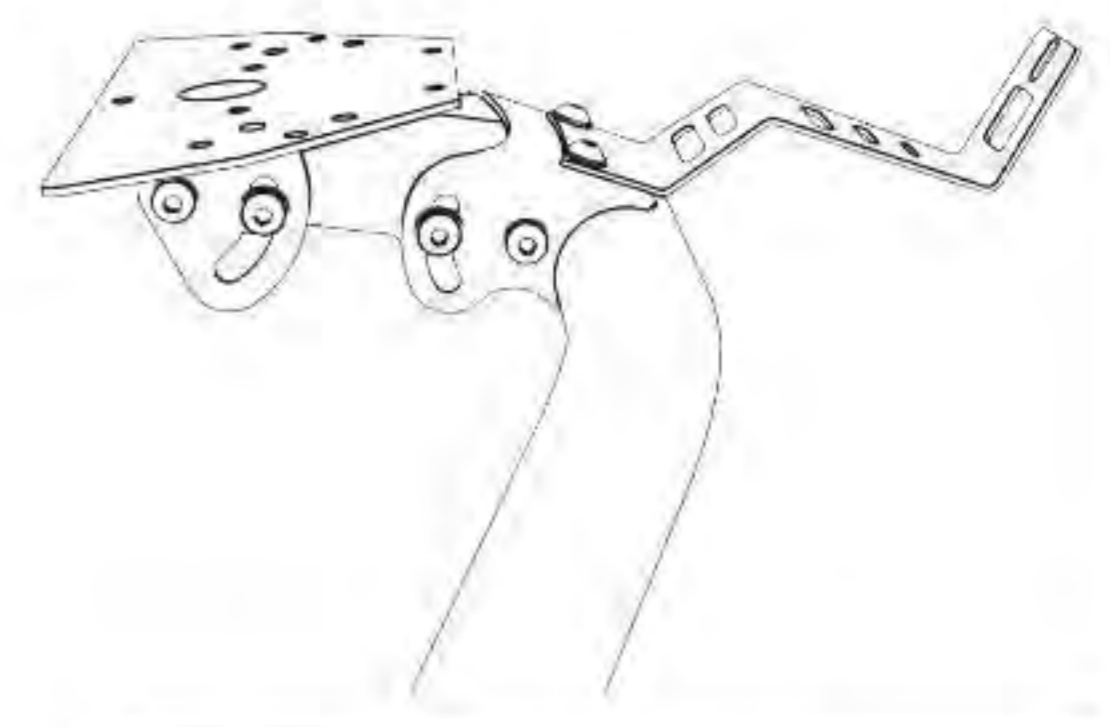
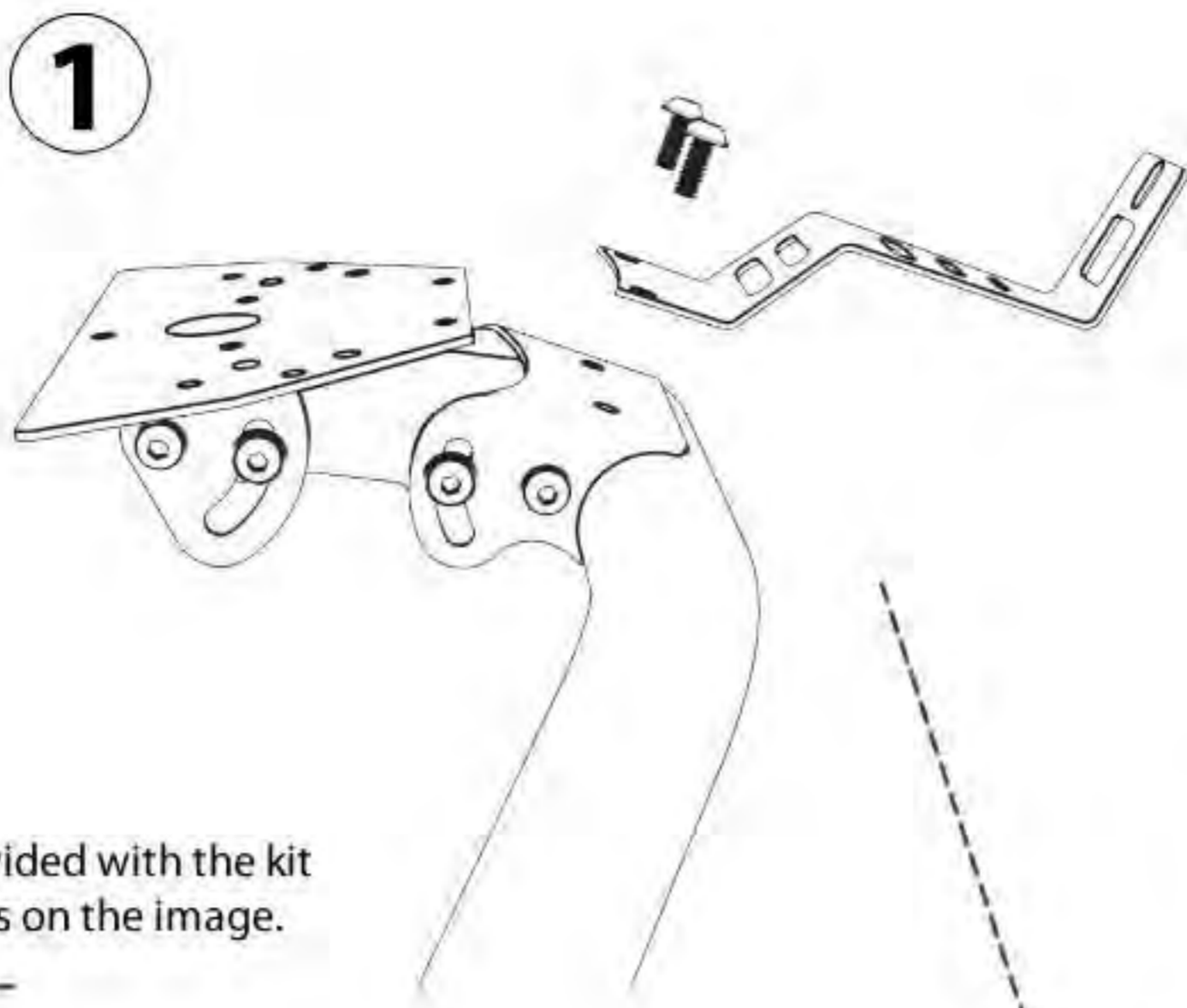
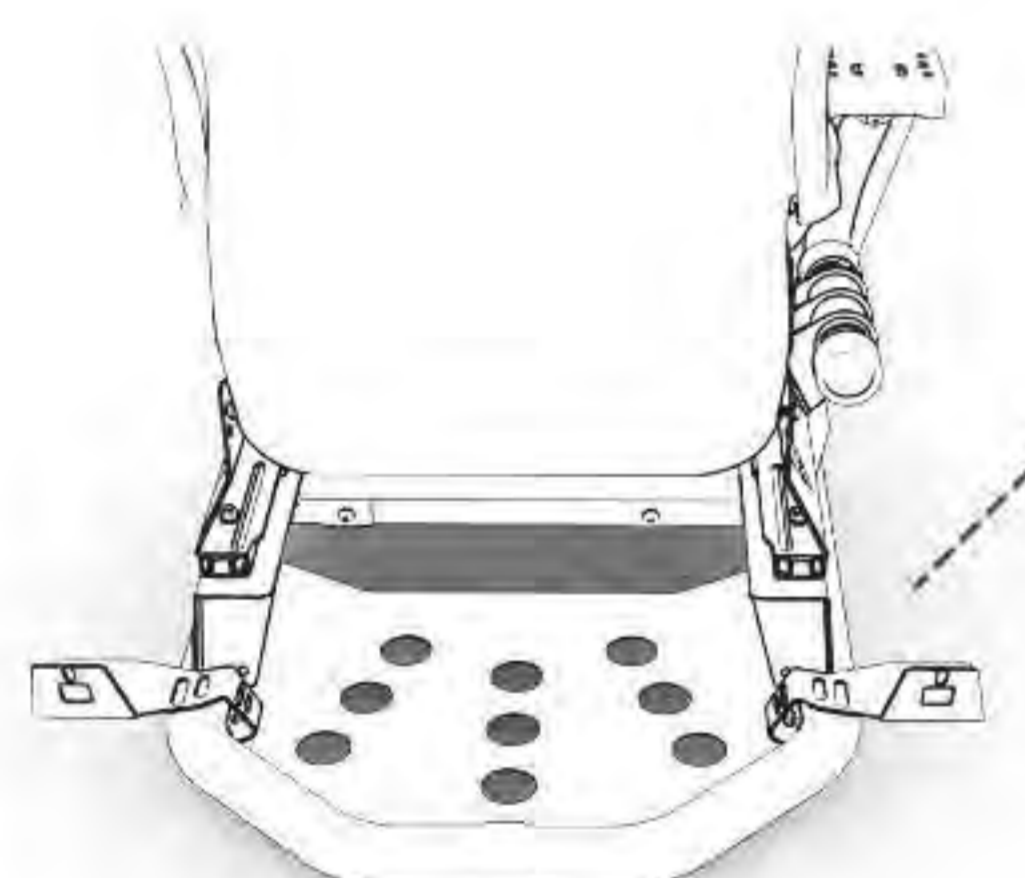
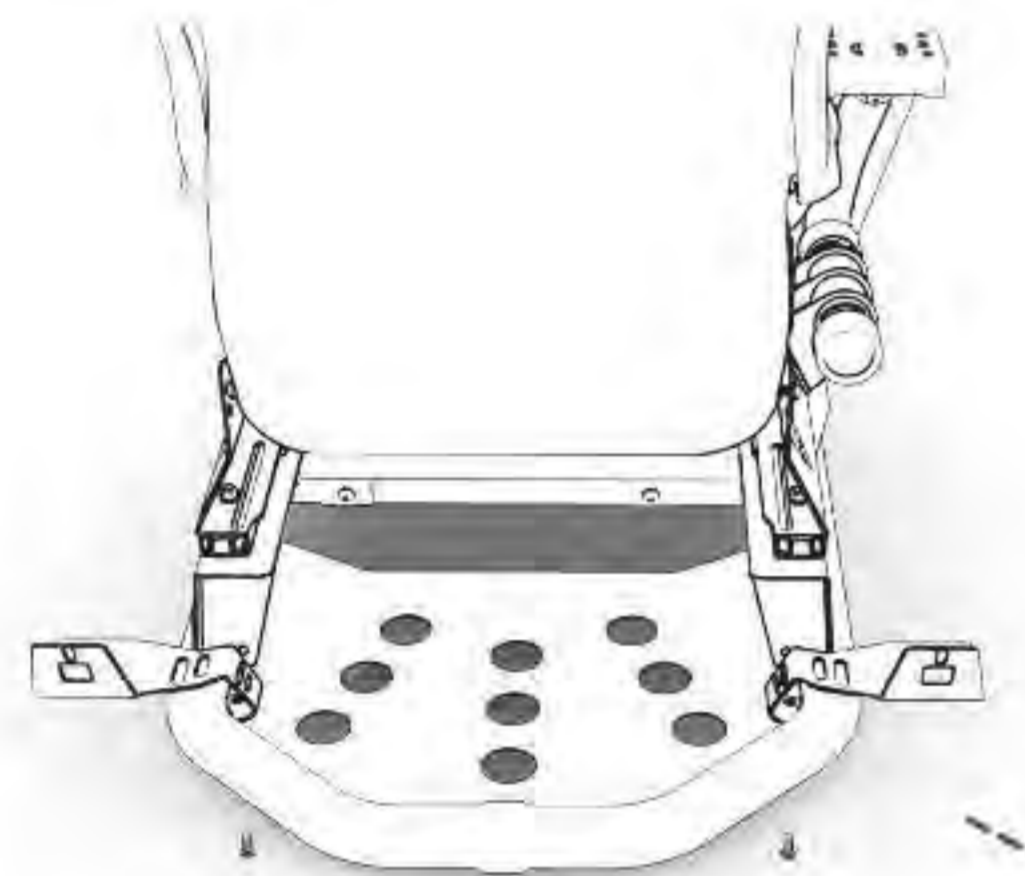
RSEAT RS1

ASSEMBLY INSTRUCTIONS RS1 SPEAKERS MOUNT

2 Locate the rear speakers mounts as on the image. Align with the holes on the RS1 underseat plate.



Screw the two M8x20 screws provided with the kit from the bottom as on the image.

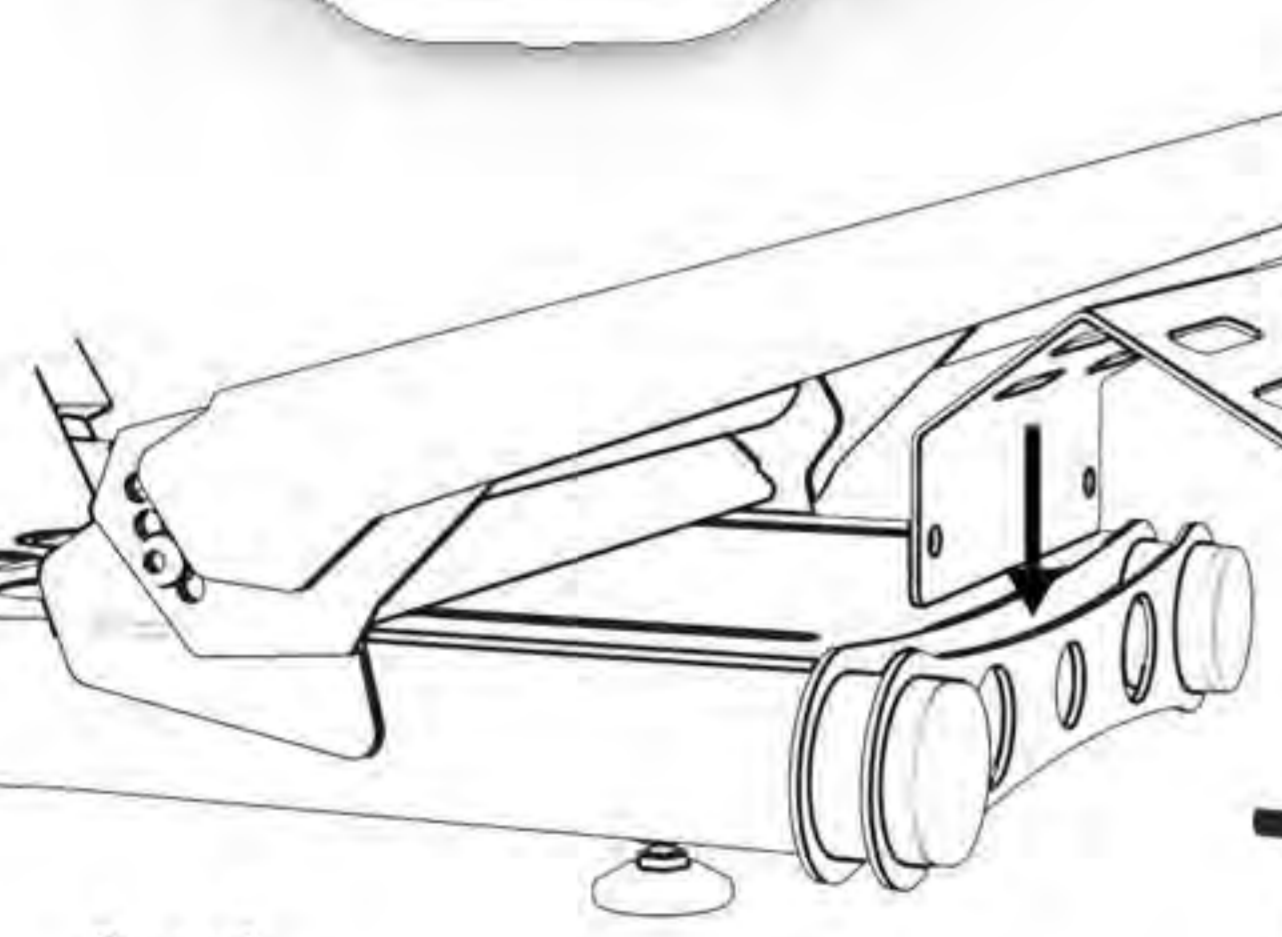


⚠ WARNINGS

Before you begin assembling this simulator, please read all installation instructions and warnings thoroughly.

FAILURE TO COMPLY WITH OR OBSERVE ALL ASSEMBLY, SAFETY AND OPERATION INSTRUCTIONS AND WARNINGS REGARDING THE USE OF THIS PRODUCT MAY RESULT IN SERIOUS BODILY INJURY.

This simulator complies with the prescribed safety regulations. Inappropriate use may cause damage to persons and simulator.



Step 1
Insert the front speakers mount between the two front plates as on the image.

Step 2
Set the plate in position to align with the pre drilled holes and insert the screw with the provided wrench.

