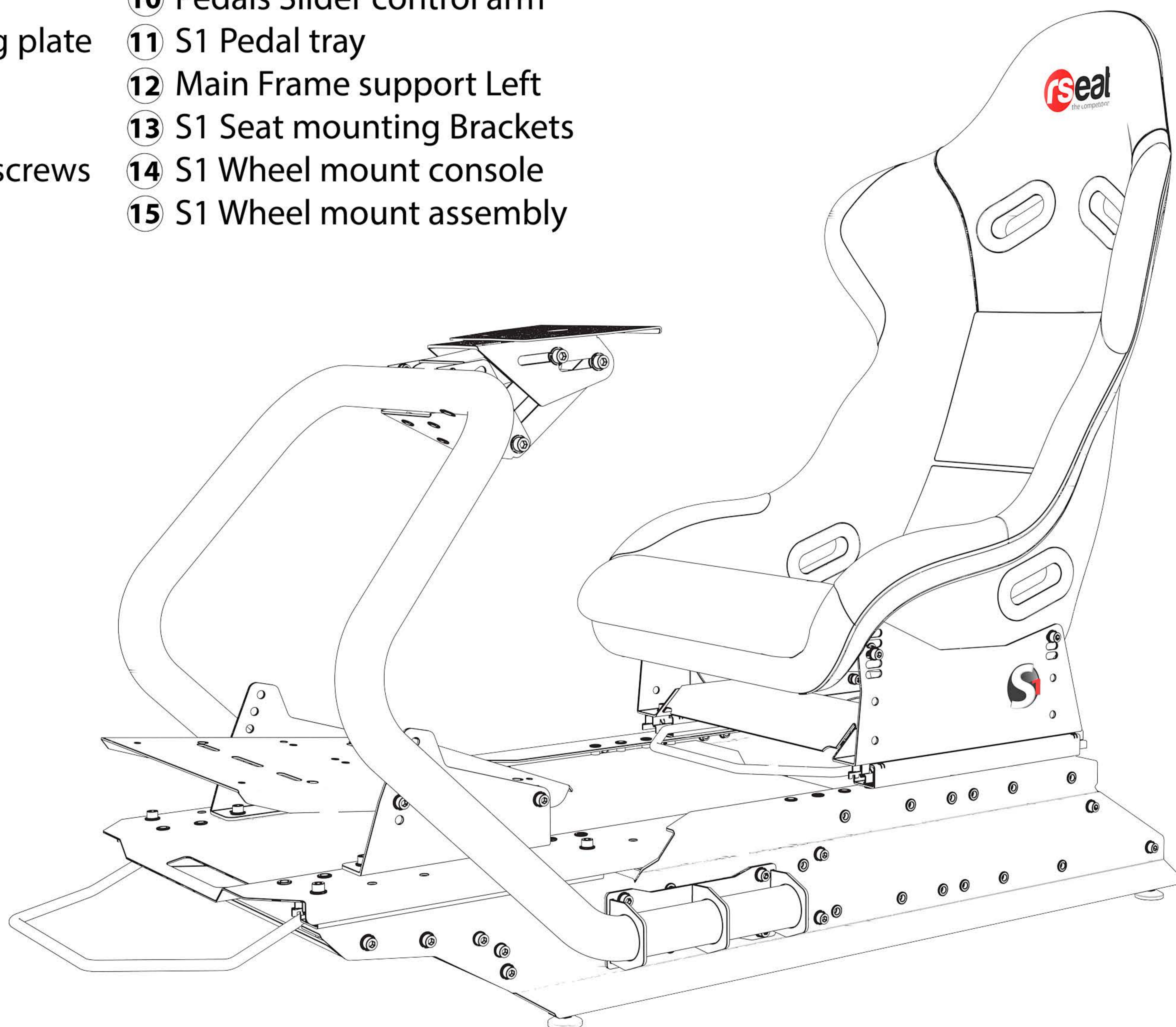


## What's Included

- |  |                             |
|--|-----------------------------|
| ① Racing Seat                          | ⑩ Pedals Slider control arm |
| ② S1 Under Pedal tray mounting plate   | ⑪ S1 Pedal tray             |
| ③ S1 Under seat support                | ⑫ Main Frame support Left   |
| ④ Main Frame support Right             | ⑬ S1 Seat mounting Brackets |
| ⑤ Assembly instructions, tools, screws | ⑭ S1 Wheel mount console    |
| ⑥ Main Frame support Back              | ⑮ S1 Wheel mount assembly   |
| ⑦ Main Frame support Central           |                             |
| ⑧ Seat Slider Control arm              |                             |
| ⑨ Main Frame Support Front             |                             |



### WARNINGS

Before you begin assembling this simulator, please read all installation instructions and warnings thoroughly.

**FAILURE TO COMPLY WITH OR OBSERVE ALL ASSEMBLY, SAFETY AND OPERATION INSTRUCTIONS AND WARNINGS REGARDING THE USE OF THIS PRODUCT MAY RESULT IN SERIOUS BODILY INJURY.**

This simulator complies with the prescribed safety regulations. Inappropriate use may cause damage to persons and simulator.



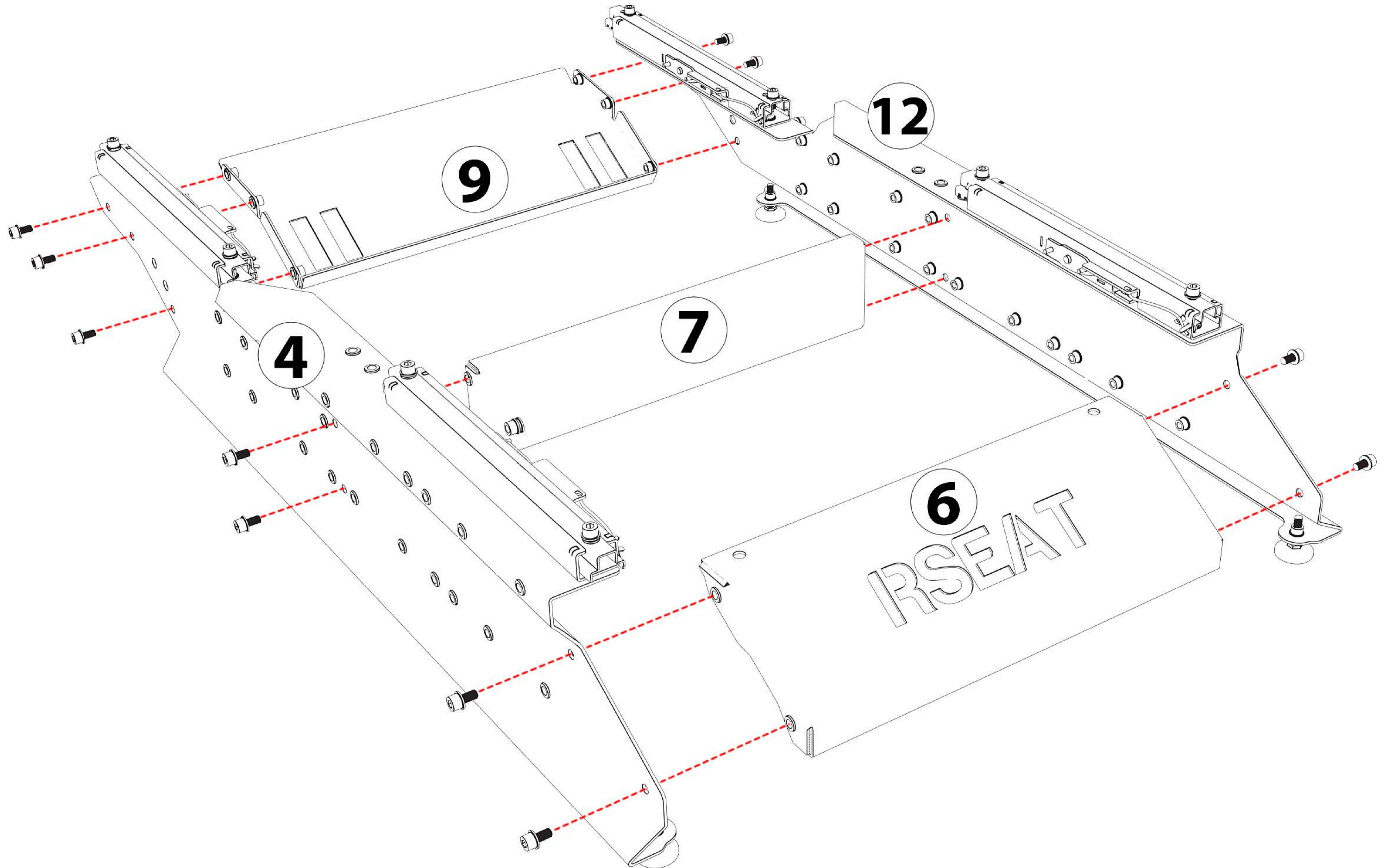
# RSEAT S1 CHASSIS Assembly

Bring the S1 chassis out of the box. Remove all the transport packaging including carton protection and Stretch wrap film.

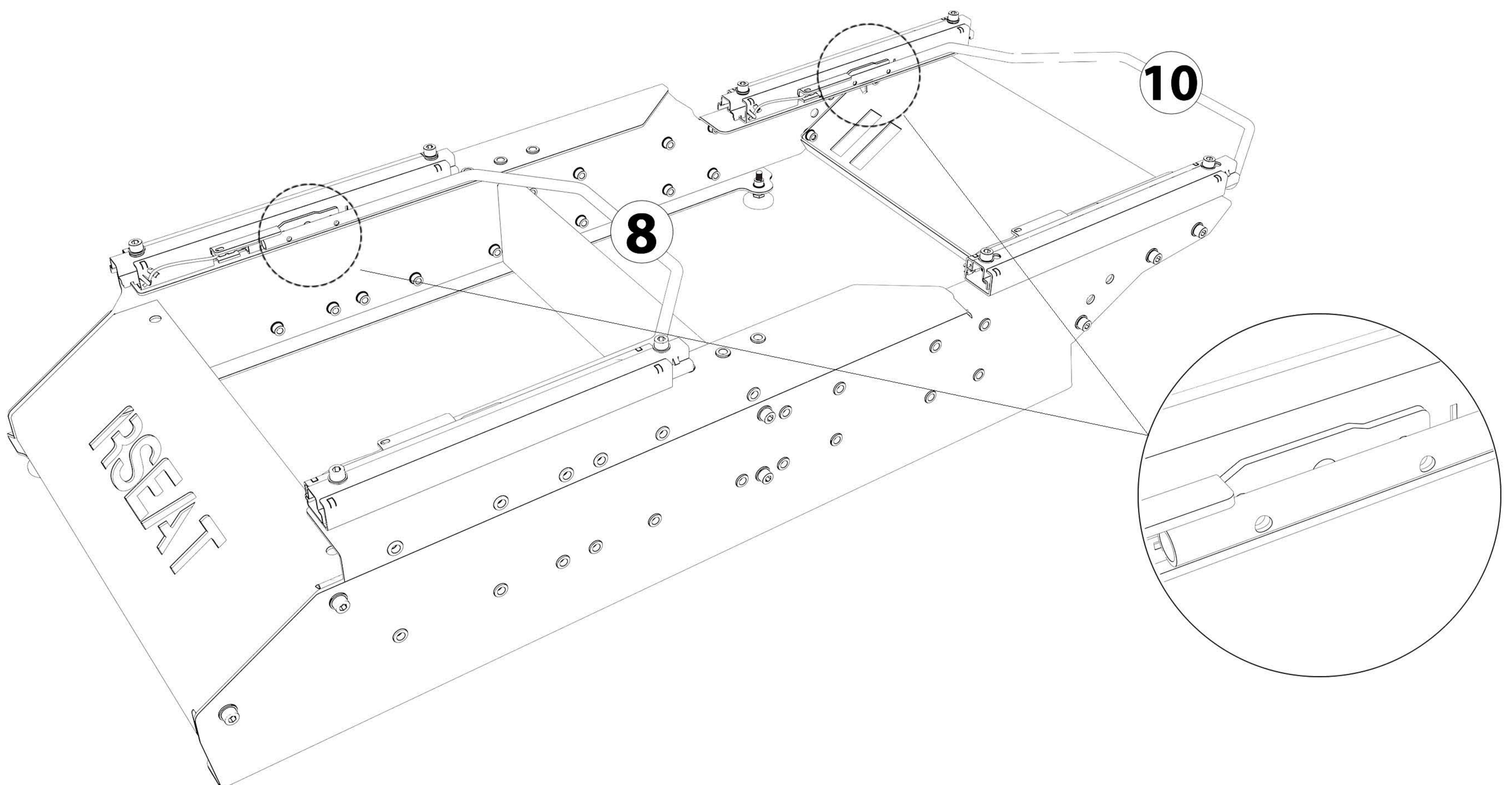
- 1** Remove all screws M8 x 20mm from parts 9, 7 and 6  
Use the 6mm HEX Key provided

Connect sub-assembly 4 and 12 with parts 9,7 and 6  
Use the 6mm HEX Key provided

**NOTE 1:** Be certain that all assembly is carried out on a flat and stable surface.

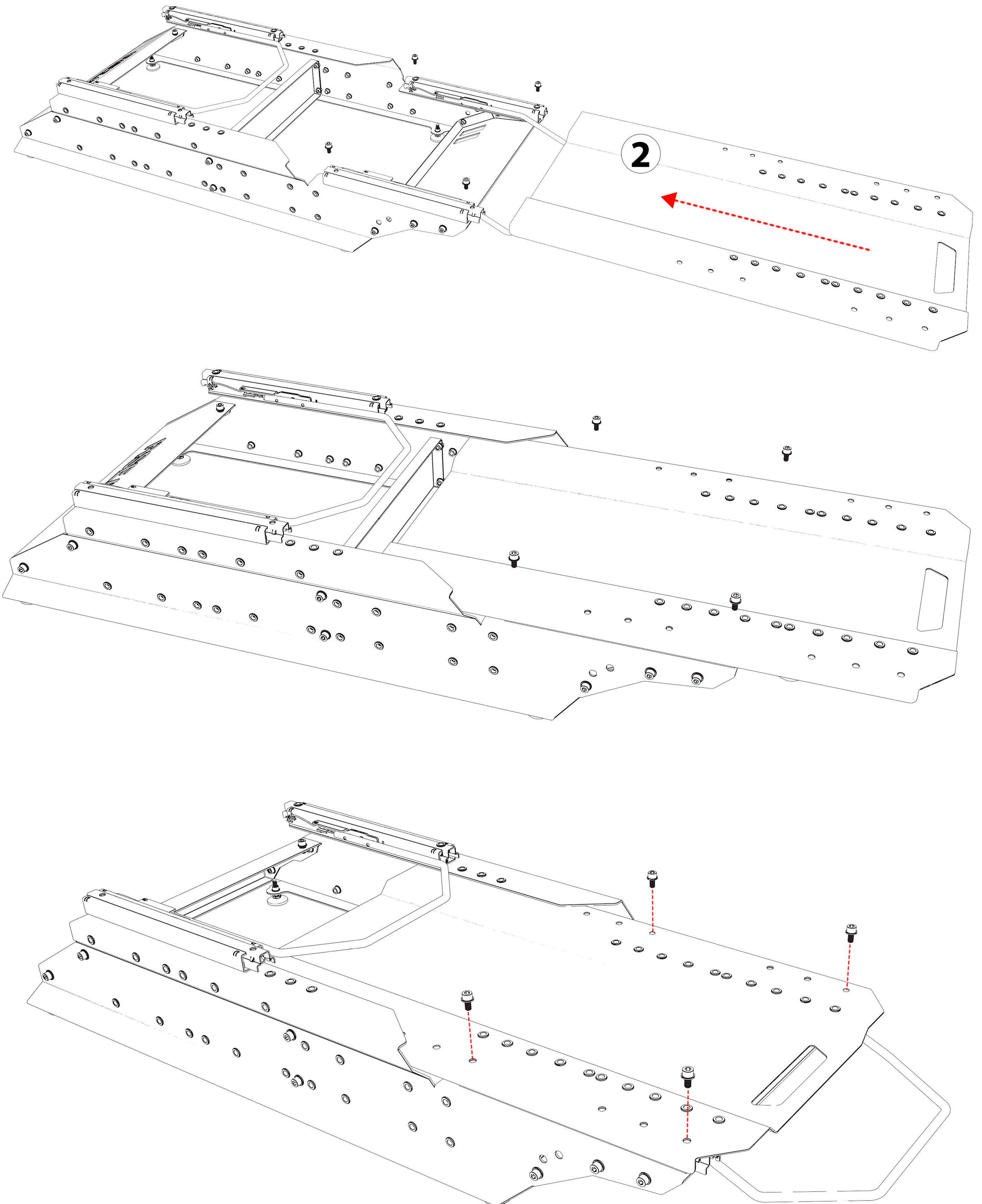


- 2** Install Seat slider control arm 8 and pedal slider control arm 10 as on the image below.



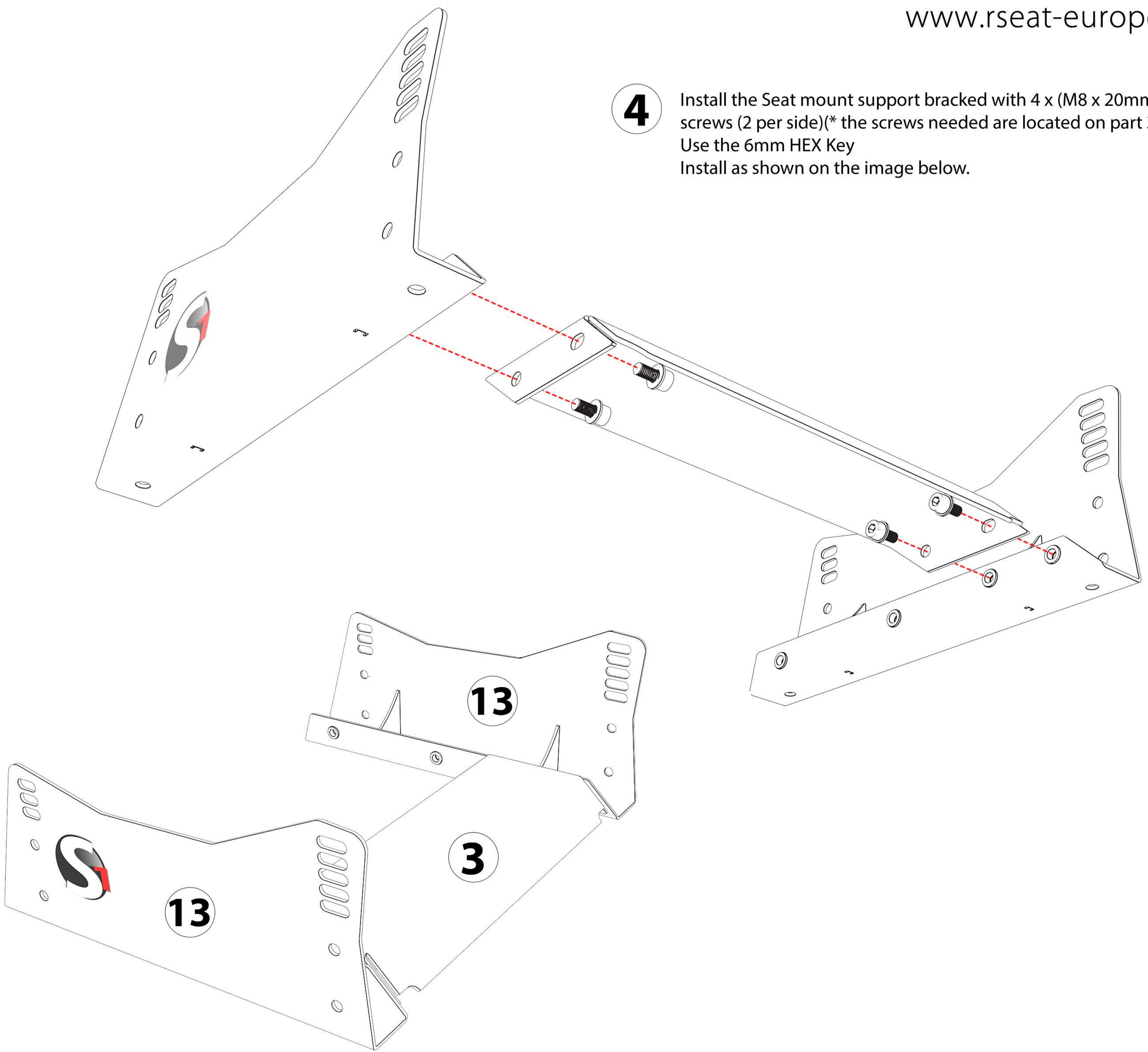


- 3** Install the S1 Under Pedal tray mounting plate (part 2) with 4 x (M8 x 16mm) screws (2 per side)(\* the screws needed are located on each slider)  
Install as shown on the image below.  
Use the 6mm HEX Key

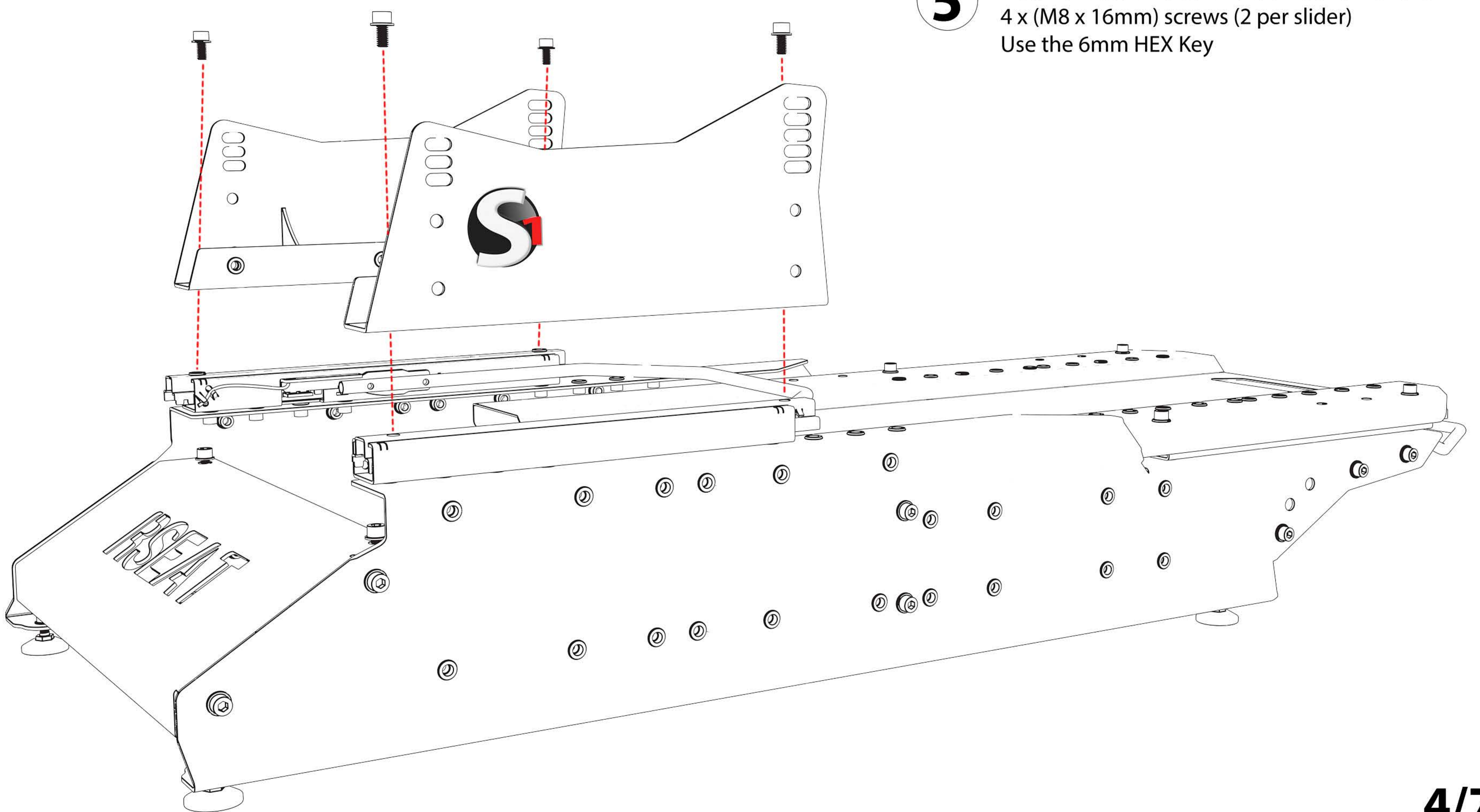




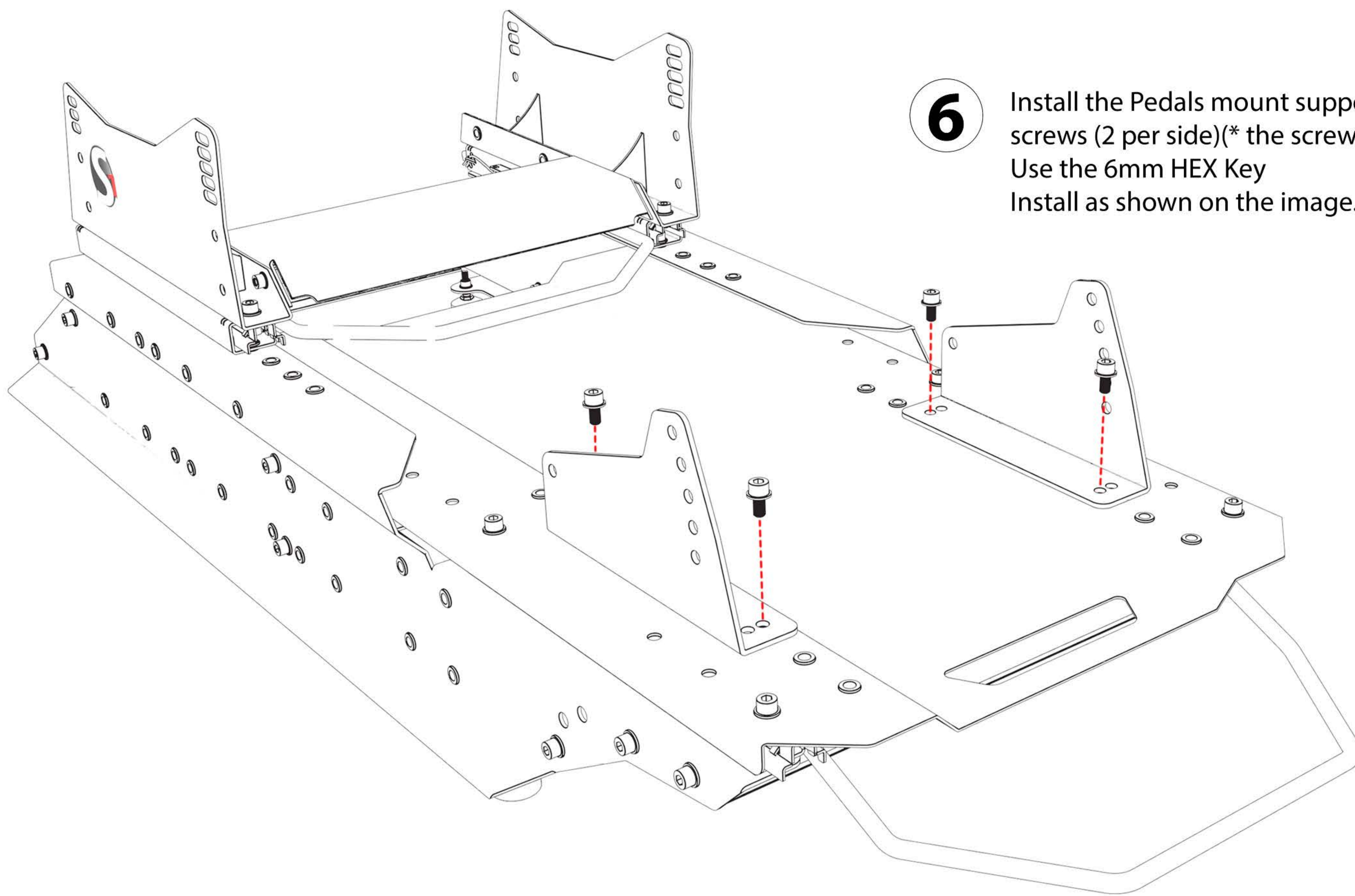
- 4** Install the Seat mount support bracked with 4 x (M8 x 20mm) screws (2 per side)(\* the screws needed are located on part 3)  
Use the 6mm HEX Key  
Install as shown on the image below.



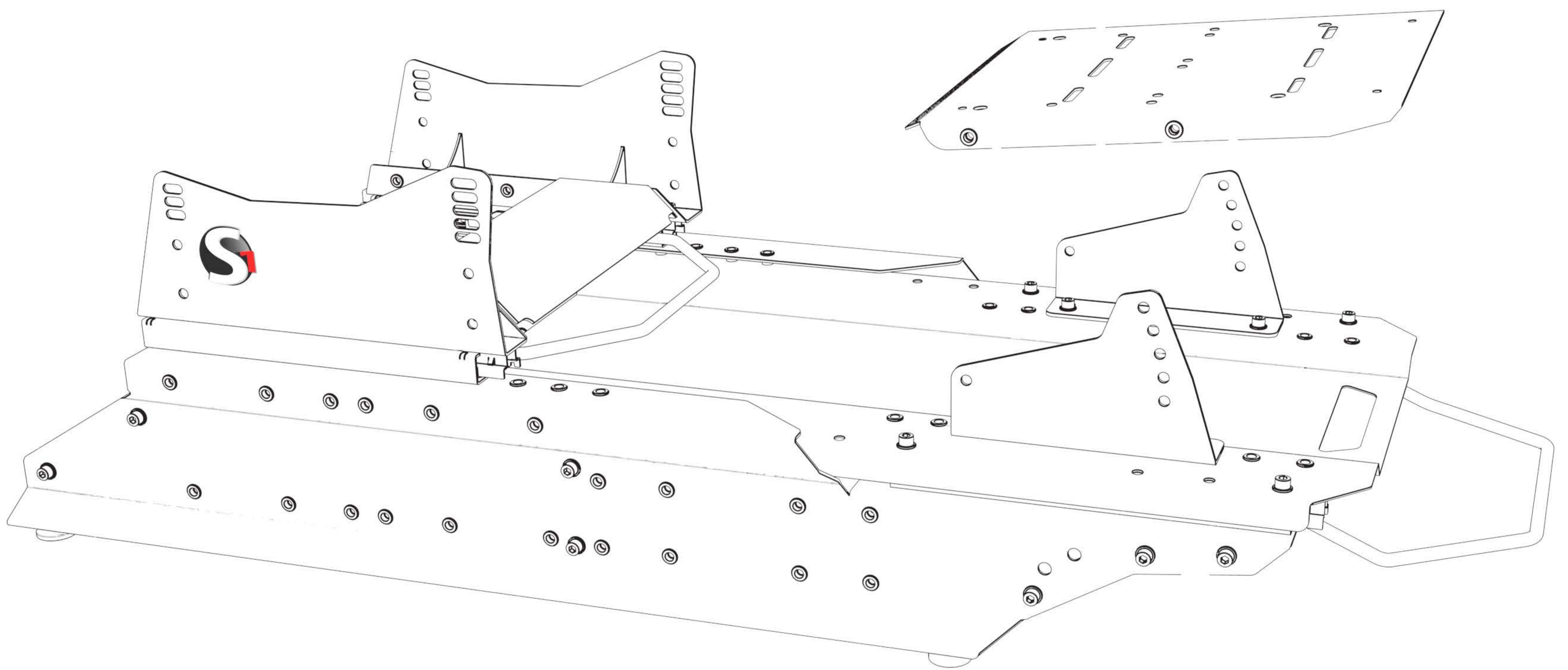
- 5** Install the assembled S1 seat mount with the 4 x (M8 x 16mm) screws (2 per slider)  
Use the 6mm HEX Key



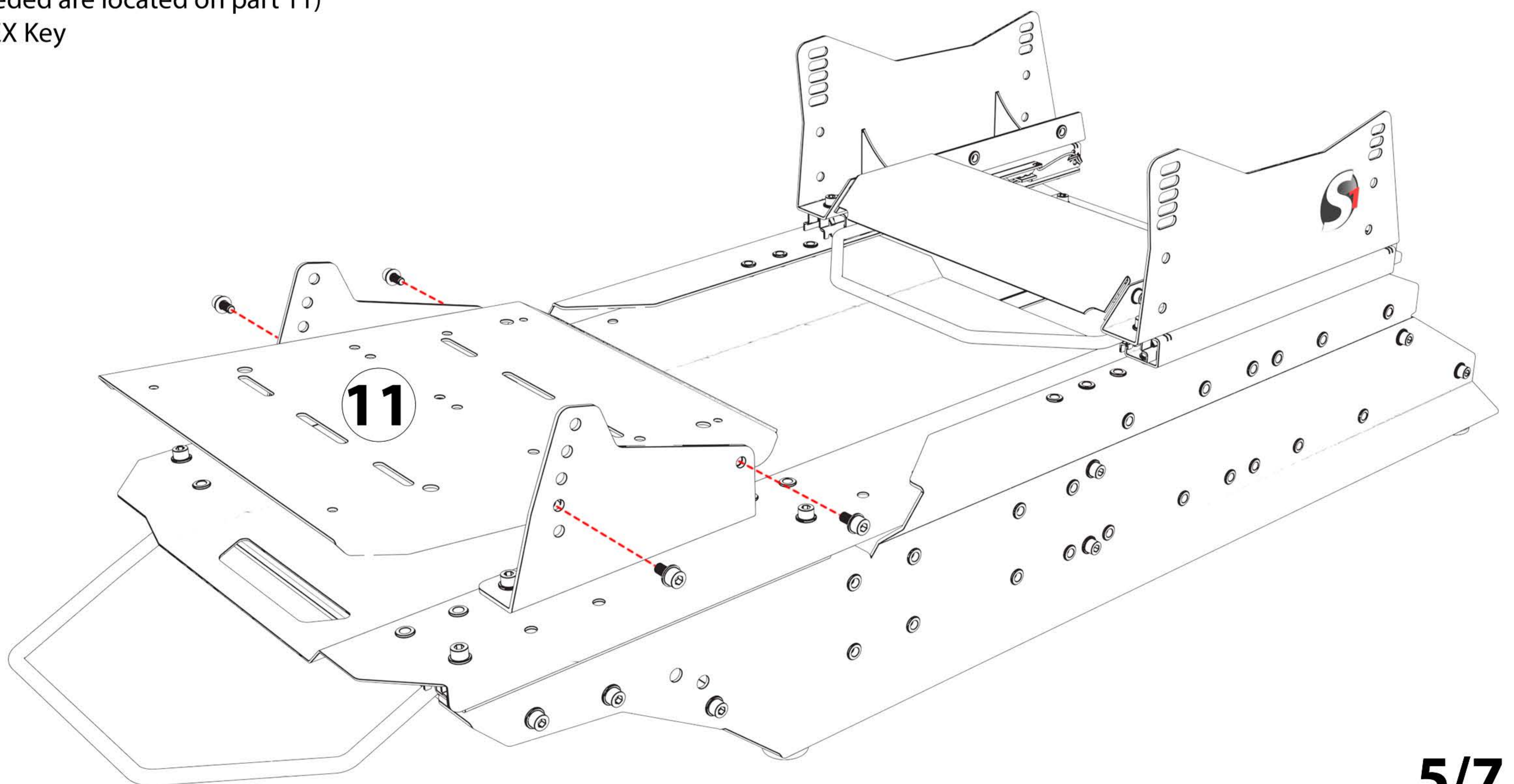




**6** Install the Pedals mount support brackets with 4 x (M8 x 20mm) screws (2 per side)(\* the screws needed are included in the assembly kit) Use the 6mm HEX Key Install as shown on the image.

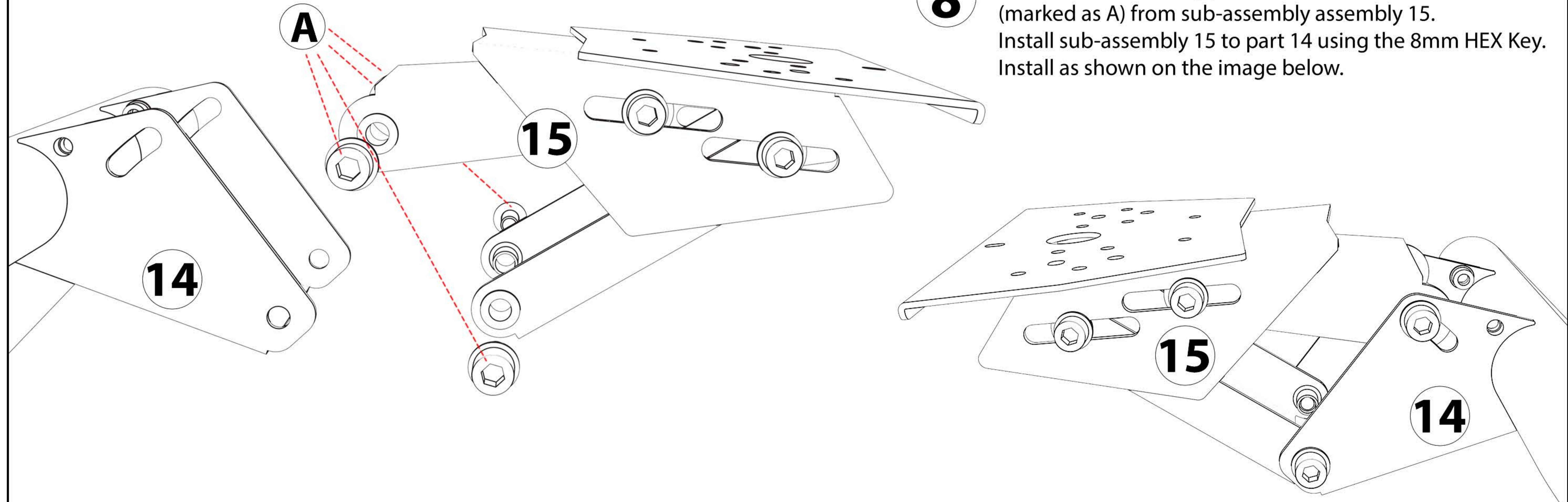


**7** Install the Pedals mount plate with 4 x (M8 x 20mm) screws (2 per side) (\* the screws needed are located on part 11) Use the 6mm HEX Key

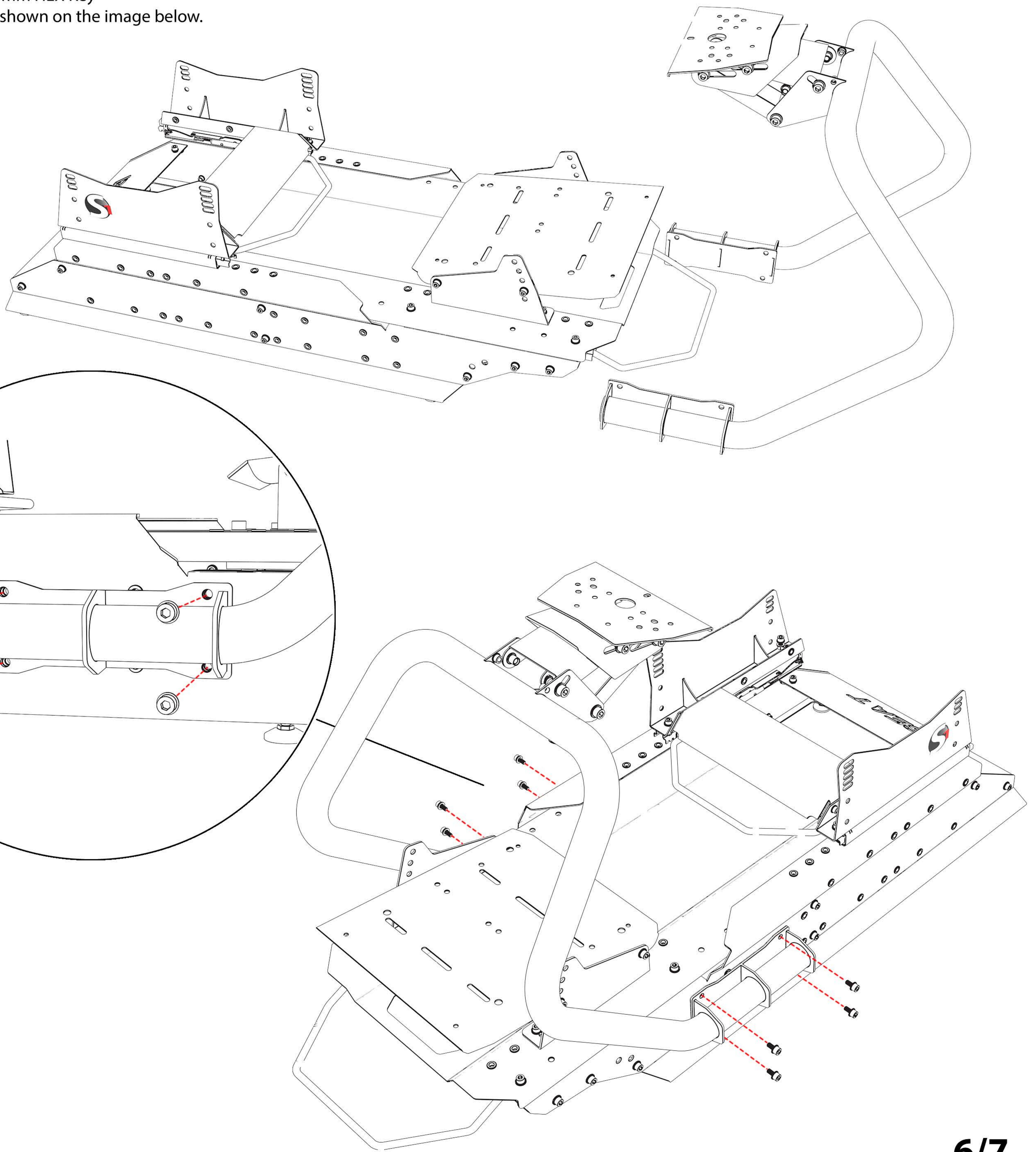




**8** Use the 8mm HEX Key provided to remove M10 x 20 screws (marked as A) from sub-assembly assembly 15. Install sub-assembly 15 to part 14 using the 8mm HEX Key. Install as shown on the image below.

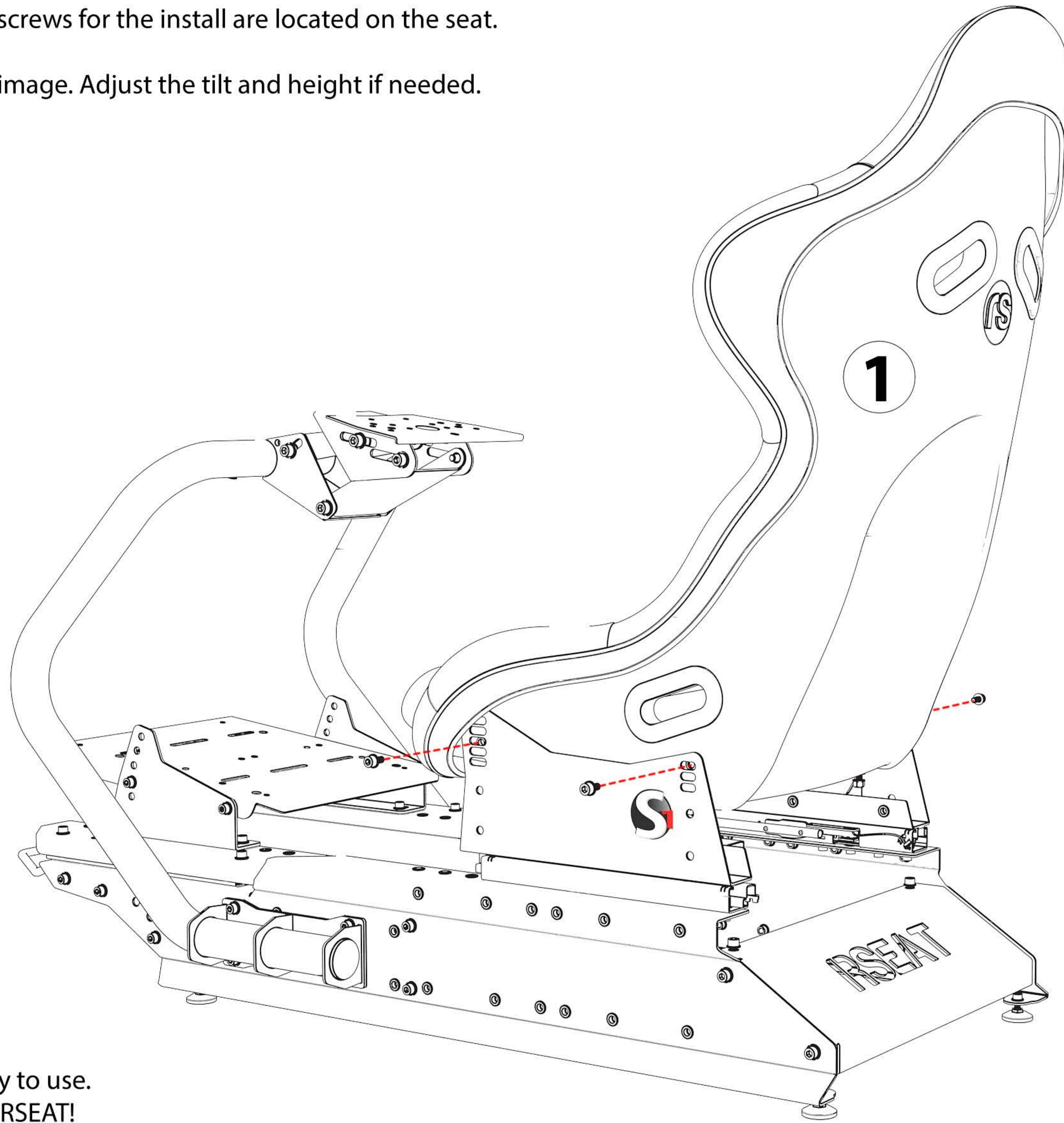


**9** Install the S1 Wheel mount support to chassis with 8 x (M8 x 20mm) screws (4 per side)  
Use the 6mm HEX Key  
Install as shown on the image below.





- 10** Install the S1 Seat (part 1 ) with 4 x (M8 x 25mm) screws (2 per side). The screws for the install are located on the seat. Use the 6mm HEX Key  
Install as shown on the image. Adjust the tilt and height if needed.



- 11** RSEAT S1 Chassis is ready to use.  
Thank you for choosing RSEAT!  
You can now install upgrades if any.

- ① To Adjust the wheel position use the 8mm HEX Key
- ② To adjust the pedals angle use the 6mm HEX Key.
- ③ To Adjust the seat position use the 6mm HEX Key.
- ④ Seat slider bar. Pull and slide the seat front-back
- ⑤ Pedals slider bar. Pull and slide the pedals front-back

