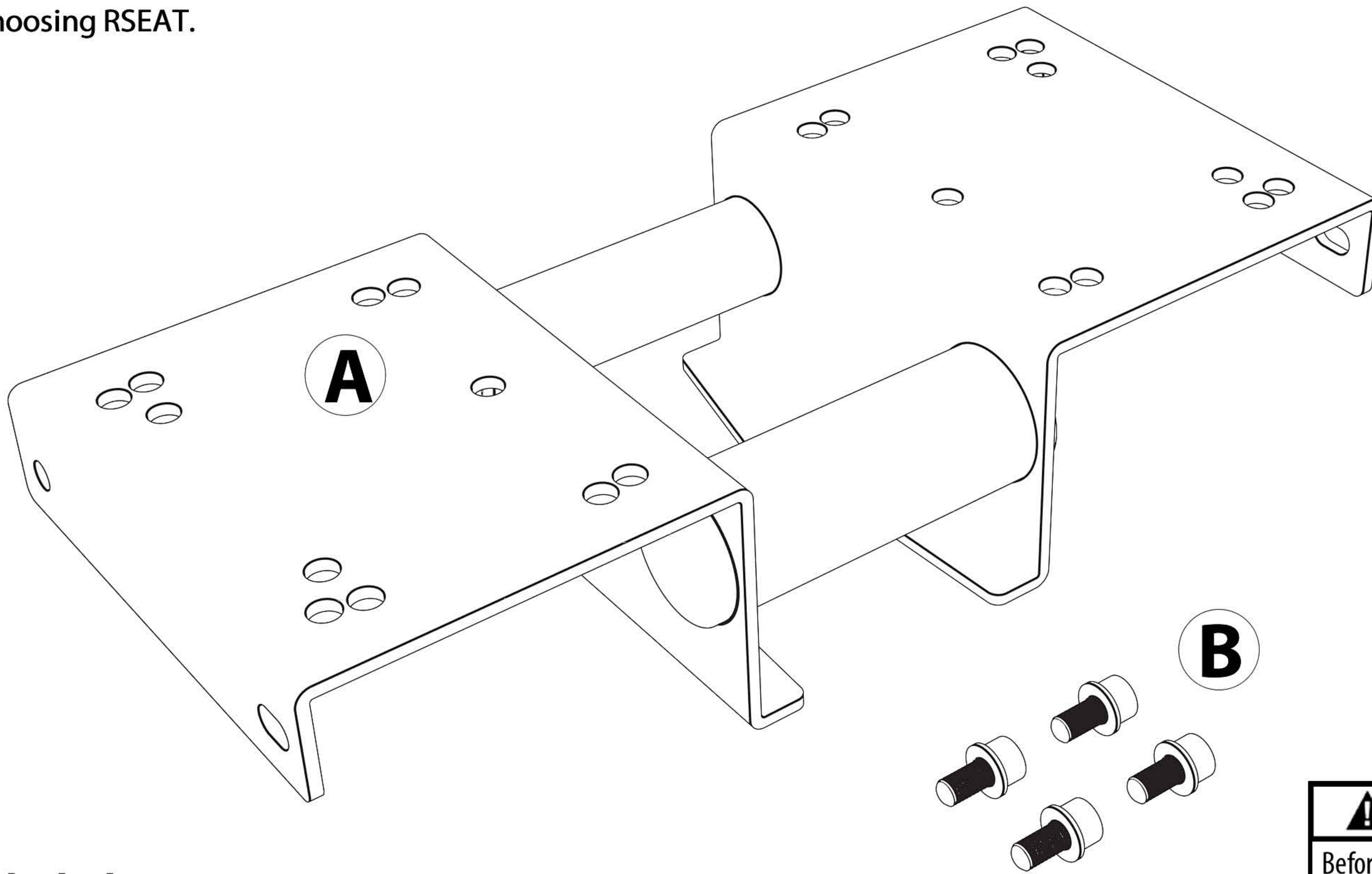




ASSEMBLY INSTRUCTIONS RSEAT S1 Butt kicker Mount Upgrade kit

Thank you for choosing RSEAT.



What's Included

- A** RSEAT S1 Butt kicker mount upgrade kit
- B** 4 x (M8 x 20) screws with washers, 6mm HEX Key

- 1** Install the Butt kicker Mount Upgrade kit to the S1 chassis with 4 screws M8 x 20mm (2 per slider) with the 6mm HEX Key provided with the assembly

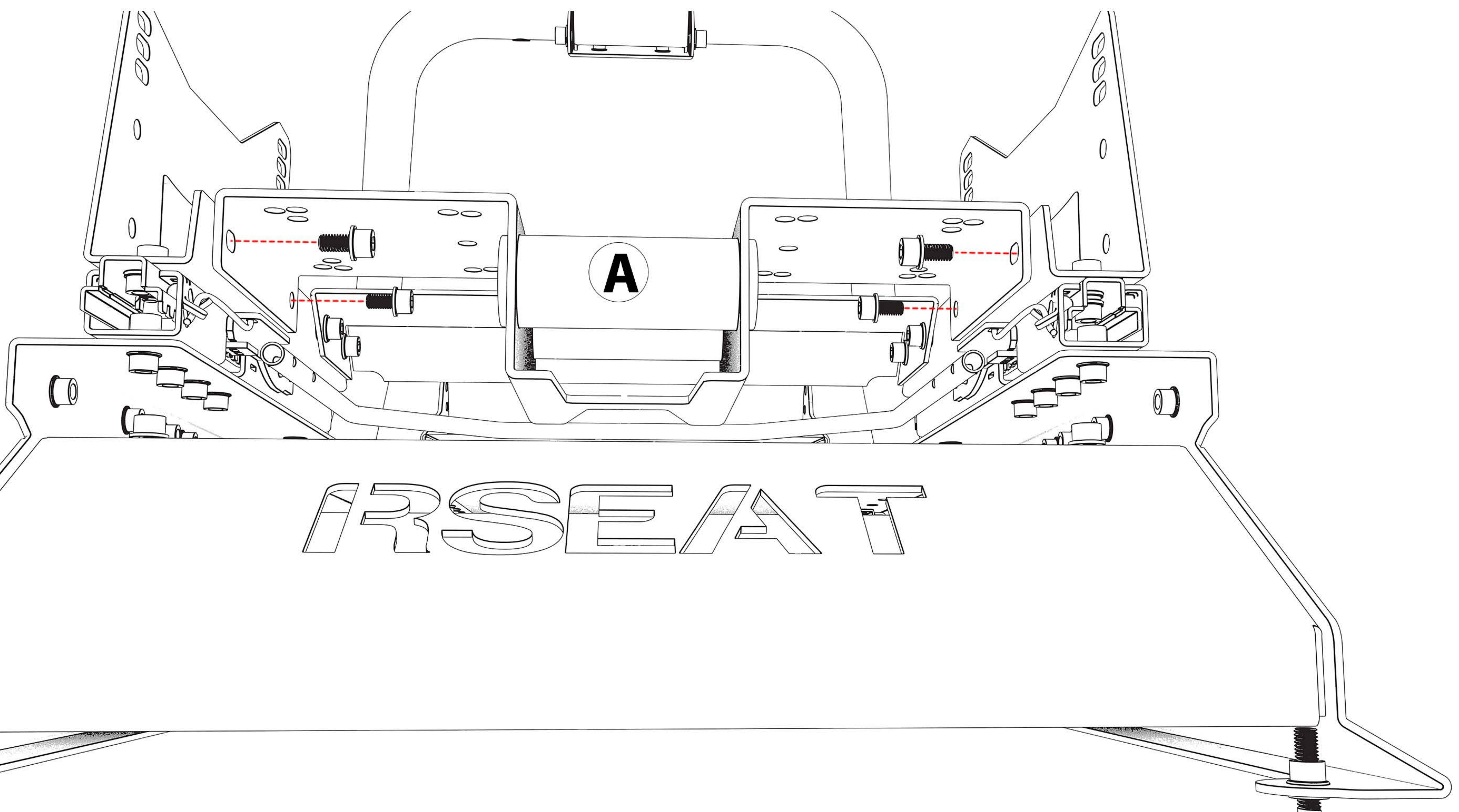


WARNINGS

Before you begin assembling this simulator, please read all installation instructions and warnings thoroughly.

FAILURE TO COMPLY WITH OR OBSERVE ALL ASSEMBLY, SAFETY AND OPERATION INSTRUCTIONS AND WARNINGS REGARDING THE USE OF THIS PRODUCT MAY RESULT IN SERIOUS BODILY INJURY.

This simulator complies with the prescribed safety regulations. Inappropriate use may cause damage to persons and simulator.



T1 - 114.3mm(4.5inch) x 88.9mm (3.5inch)

T2 - 118.23mm(4.655inch) x 68.27 (2.688inch)

T3 - 85.57(3.37inch) x 85.57(3.37inch) x 85.57(3.37inch)

T4 - Buttkicker THMP1

T5 - Buttkicker Gamer 2

