

RSEAT S1

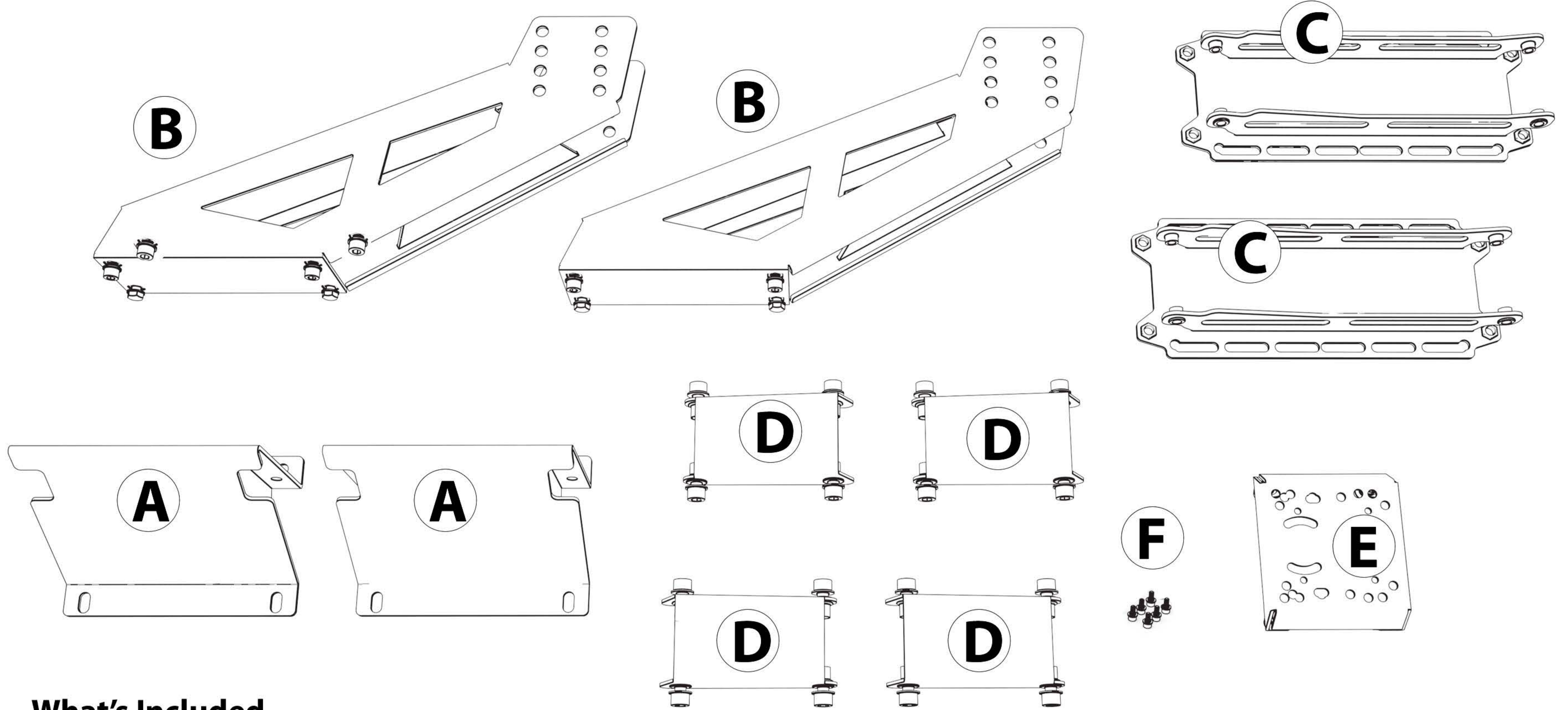
ASSEMBLY INSTRUCTIONS



ASSEMBLY INSTRUCTIONS RSEAT S1 Flight mount Upgrade kit

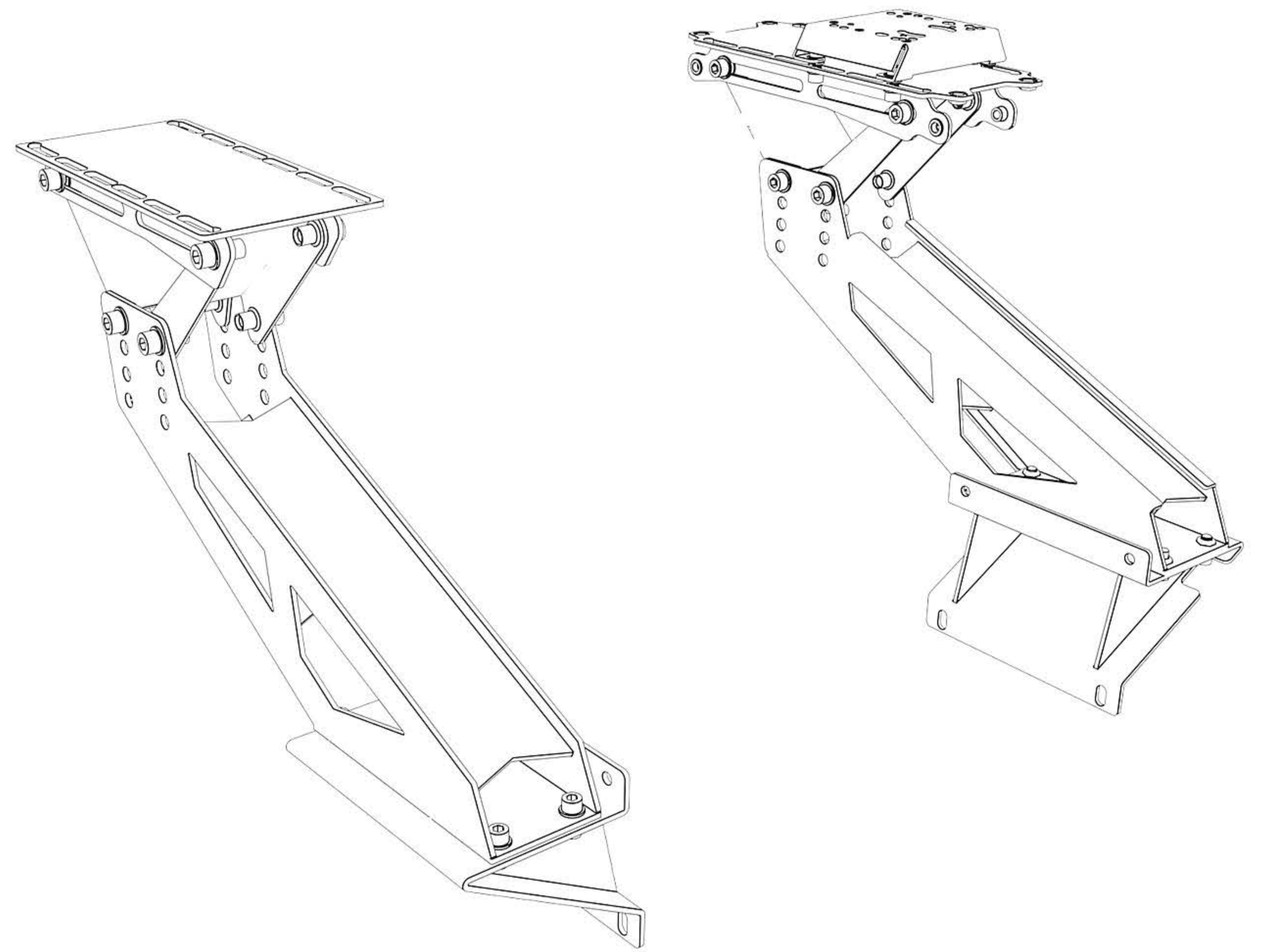
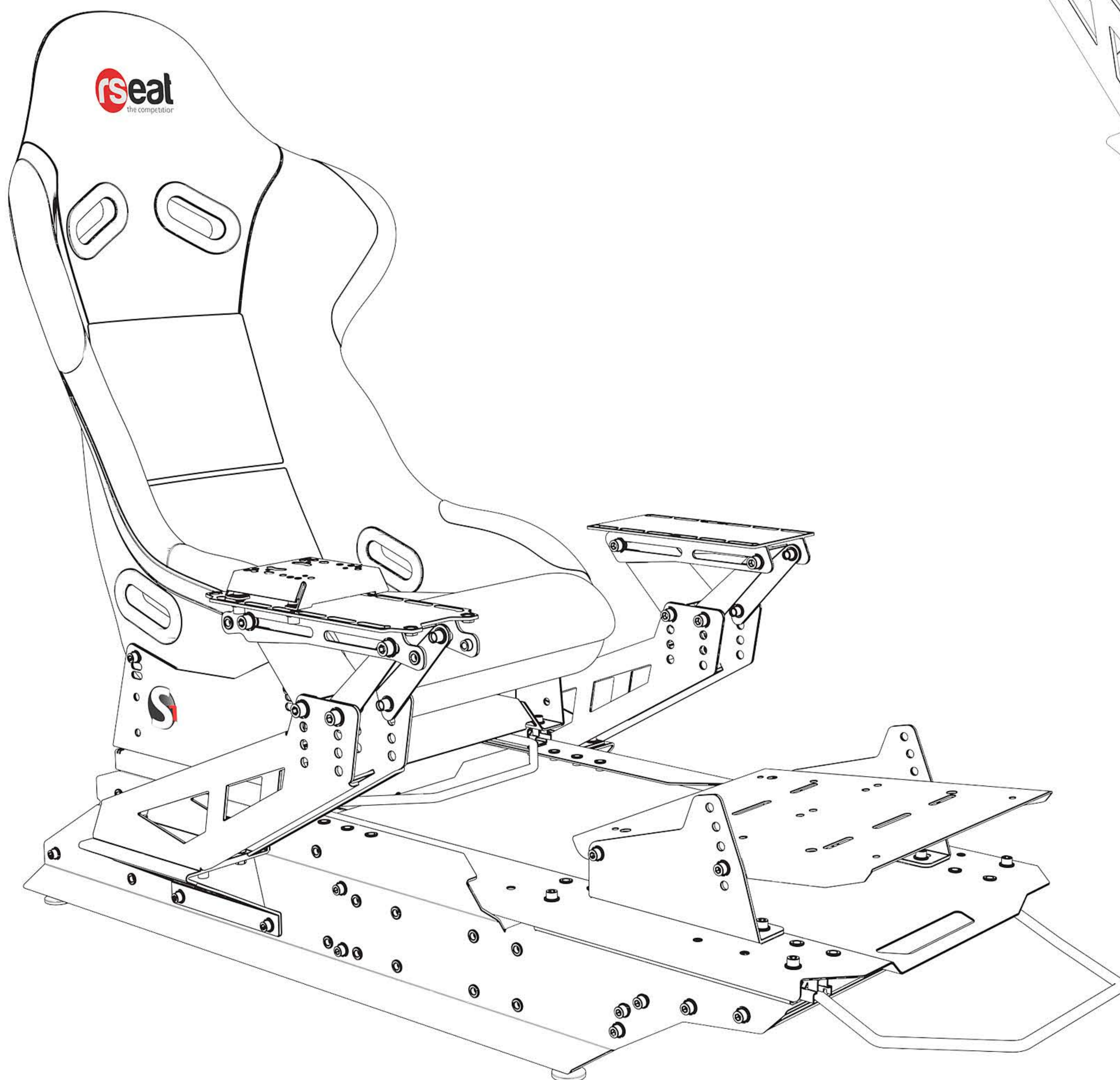
Thank you for choosing RSEAT.

Language: **EN**



What's Included

- A** 2 x Main support A
- B** 2 x Main support B
- C** 2 x Main support C
- D** Support Brackets
- E** Thrustmaster Hotas Joystick mount
- F** Tools and screws for the assembly. 8x (M8x20mm) screws, 6mm HEX Key, 8mm HEX Key



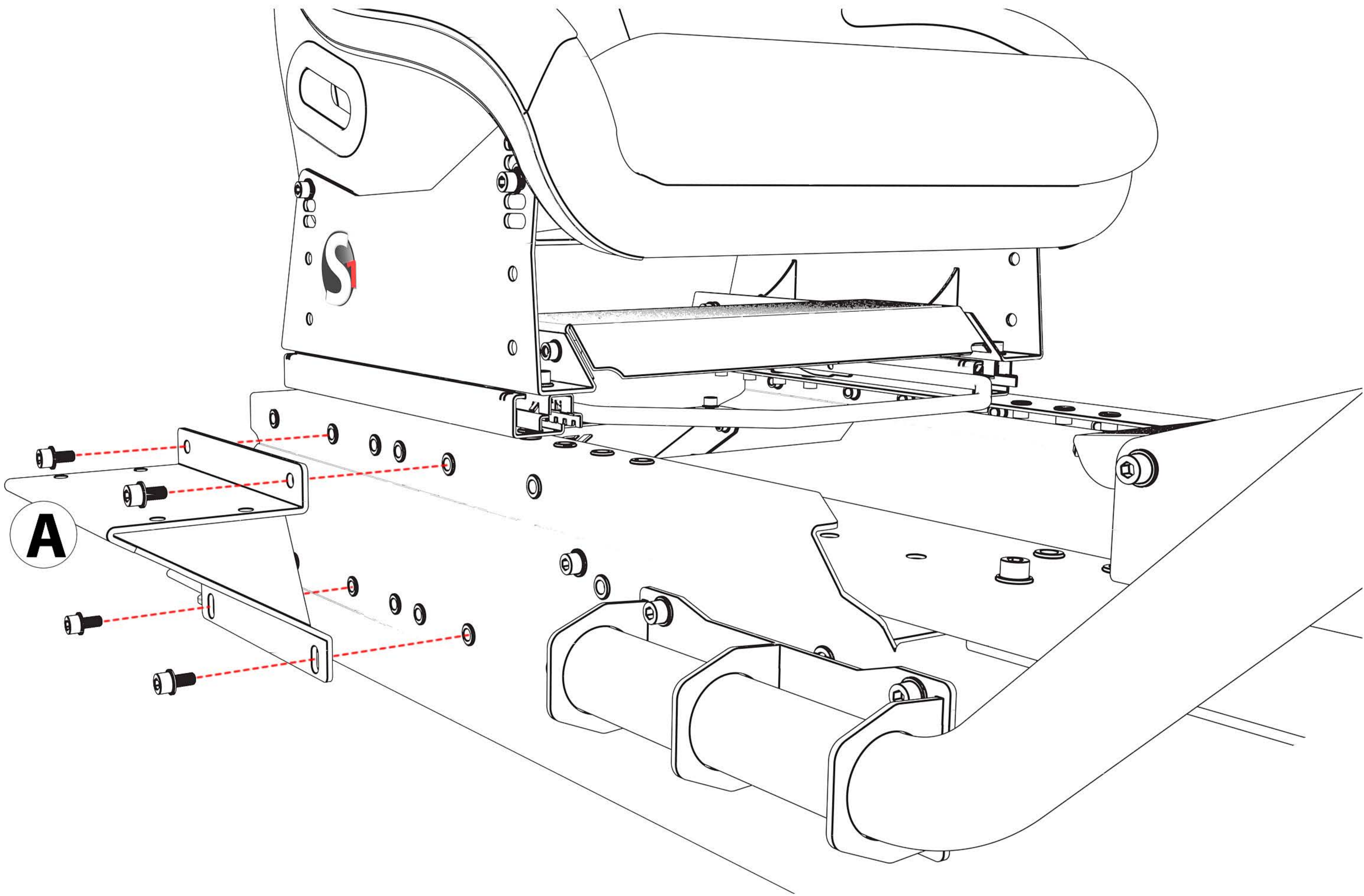
⚠ WARNINGS

Before you begin assembling this simulator, please read all installation instructions and warnings thoroughly.

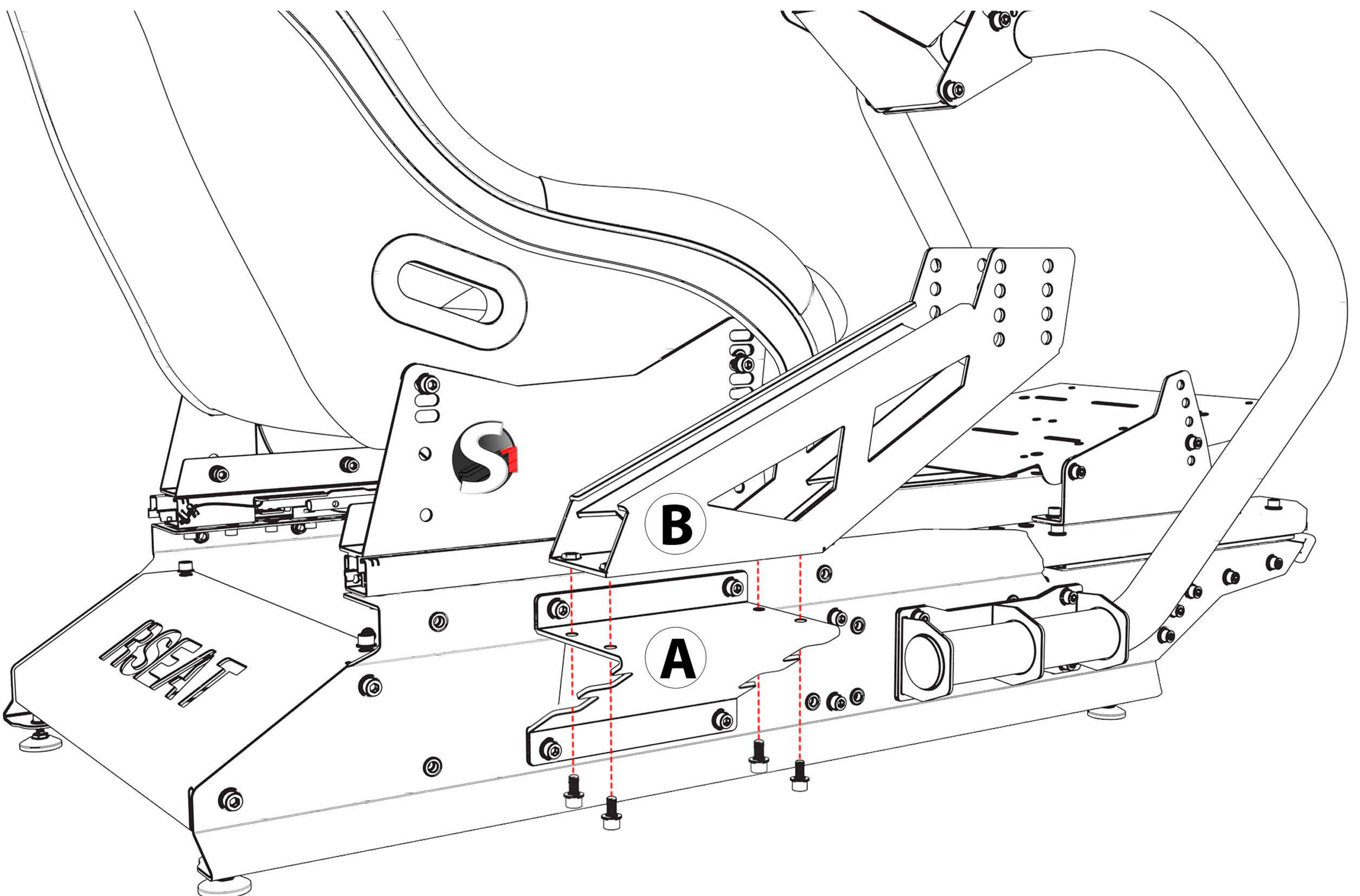
FAILURE TO COMPLY WITH OR OBSERVE ALL ASSEMBLY, SAFETY AND OPERATION INSTRUCTIONS AND WARNINGS REGARDING THE USE OF THIS PRODUCT MAY RESULT IN SERIOUS BODILY INJURY.

This simulator complies with the prescribed safety regulations. Inappropriate use may cause damage to persons and simulator.

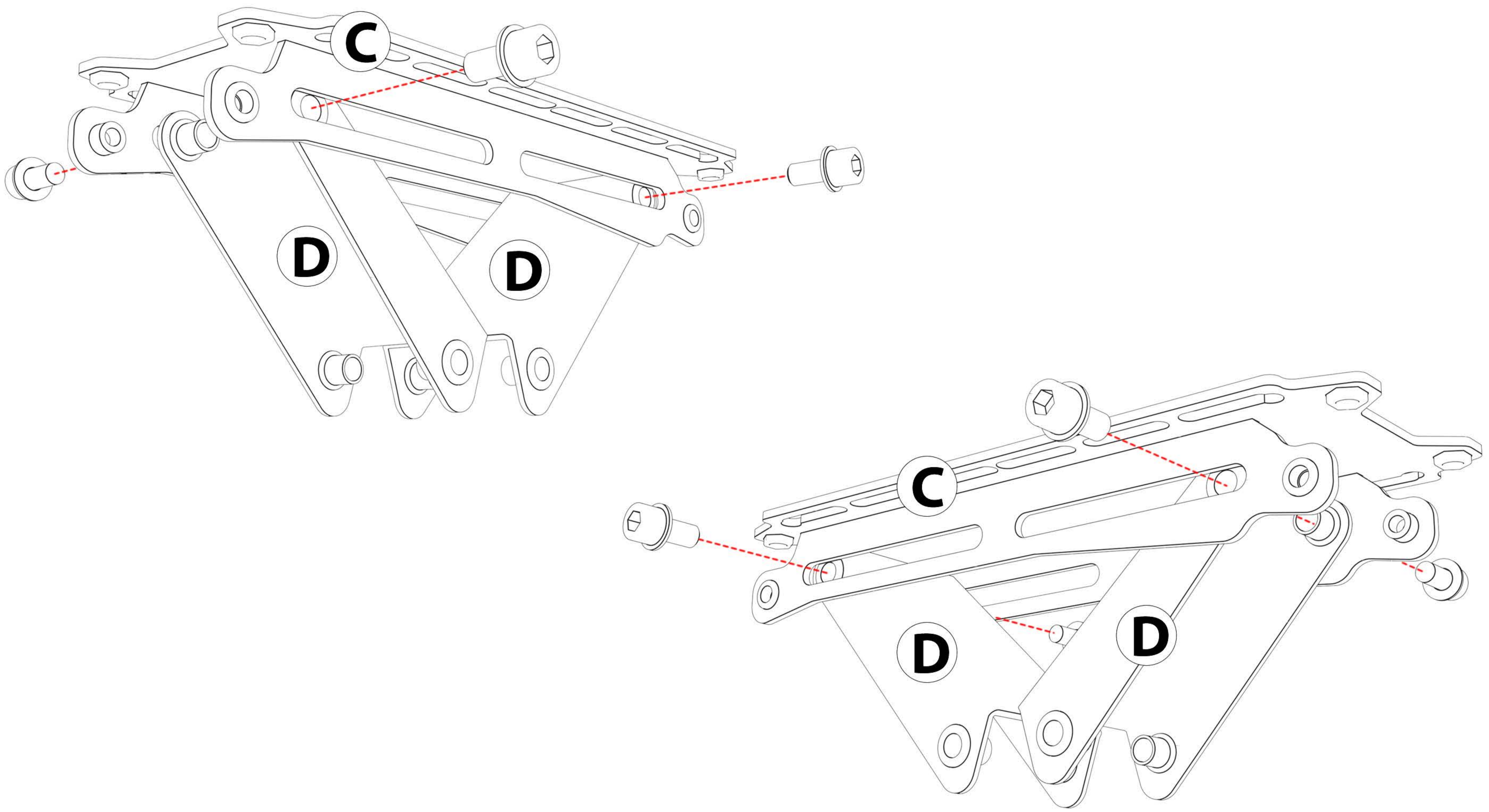
- 1** Install Main support (A) on both left and right side of S1 Chassis. Use 4 x (M8x20mm) screws per side provided with the assembly instruction (F). Use the 6mm HEX Key to connect (A) to the S1 chassis. Install as shown on the image below.



- 2** Install the Main Support (A) to Main Support (B) using 4 x (M8x20mm) allen head bolts provided with the assembly instruction (F). Use the 6mm HEX Key . Perform same installation on the left side of the S1 chassis. Install as shown on the image below.

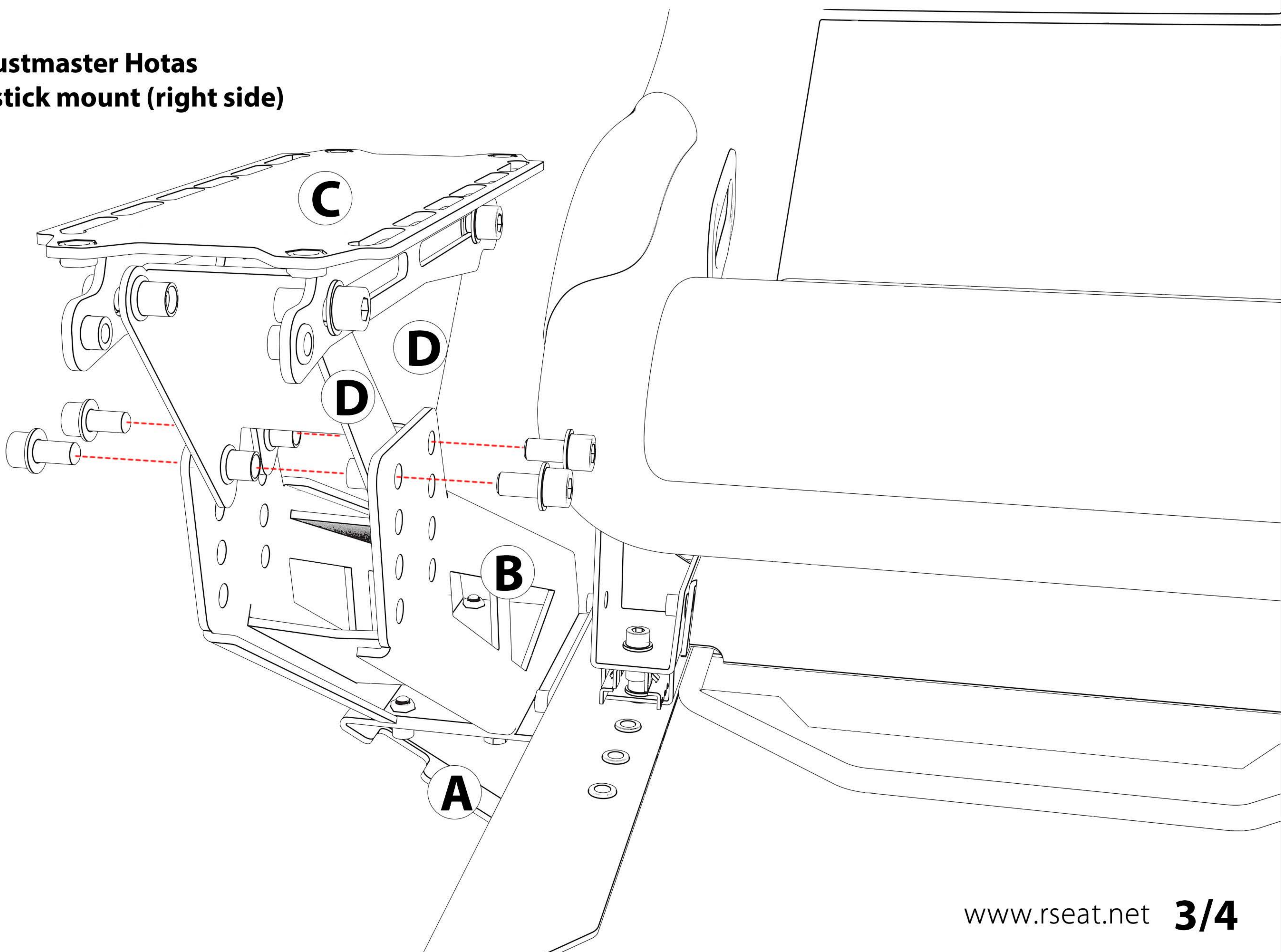


- 3** Install Sub Assembly C to support Brackets D using 8mm Hex key and 4 x (M10x20mm) bolts
Bolts are located on support brackets (D)

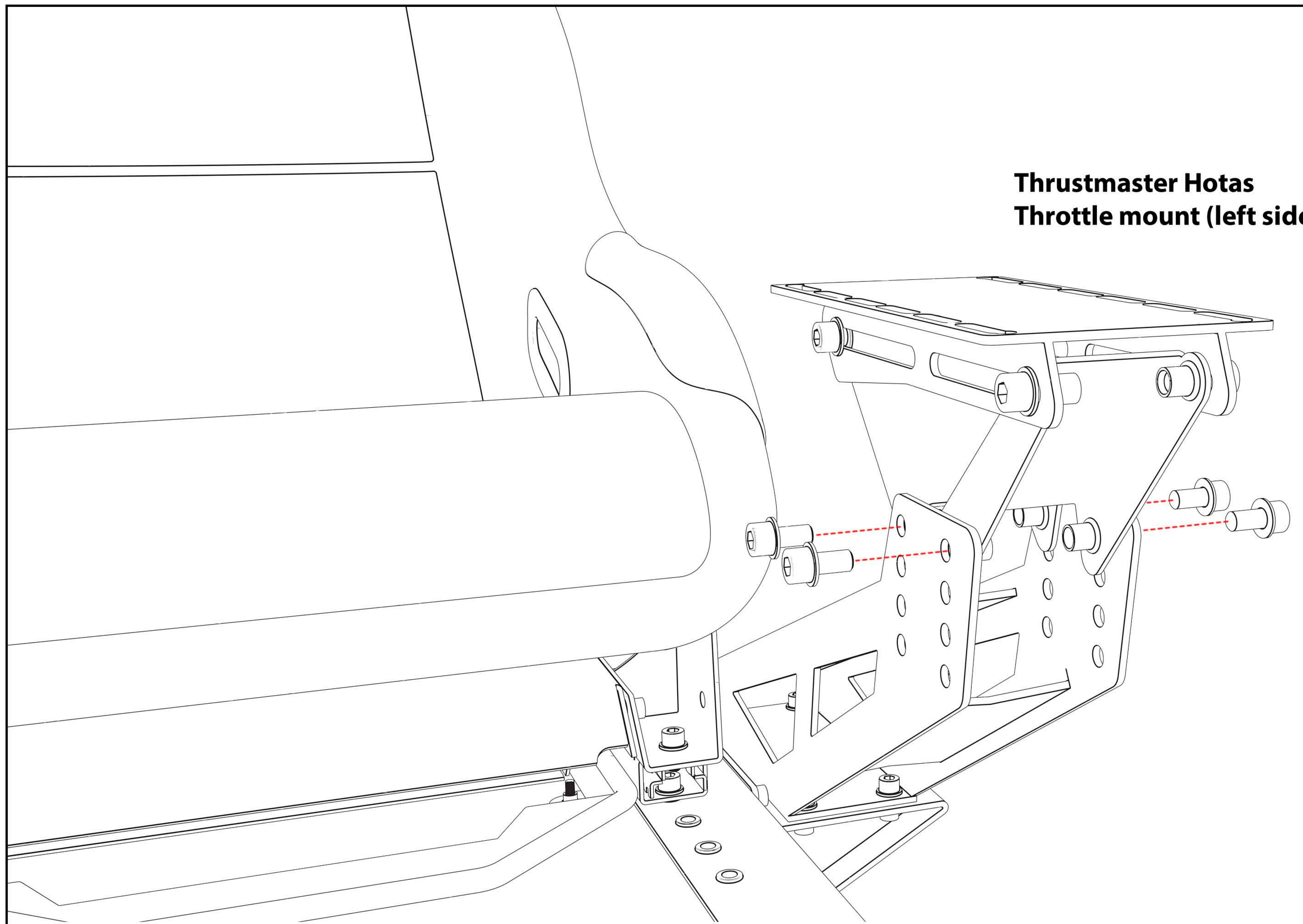


- 4** Install Sub Assembly C,D,D to Main Support B using 8mm Hex key and 4 x (M10x20mm) bolts
Bolts are located on support brackets (D)

**Thrustmaster Hotas
Joystick mount (right side)**



Thrustmaster Hotas Throttle mount (left side)



- 5** **Please Note!** First you have to install your Thrustmaster's joystick on shifter mount (E) using 4 x m4 screws located on the Joystick bottom. Then install (E) on sub assembly (C) using 4 x (M8x20mm) bolts . Use 6mm Hex key.
Install as shown on the images below.

