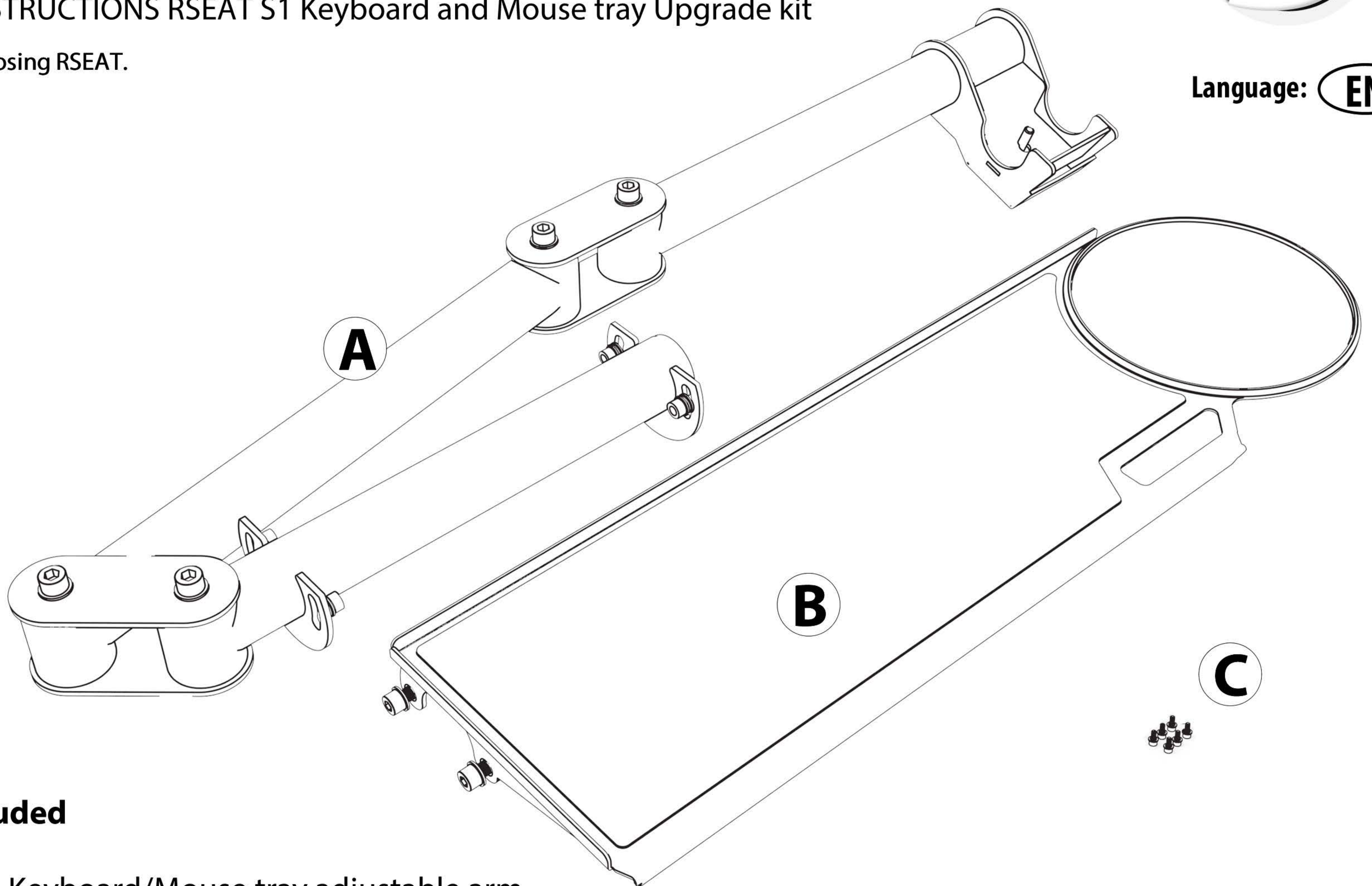




ASSEMBLY INSTRUCTIONS RSEAT S1 Keyboard and Mouse tray Upgrade kit

Thank you for choosing RSEAT.

Language: **EN**



What's Included

- A** RSEAT S1 Keyboard/Mouse tray adjustable arm
- B** RSEAT S1 Keyboard/Mouse tray
- C** Tools and screws for the assembly. 1x (M10x45mm) screw and 6mm and 8mm HEX Keys.

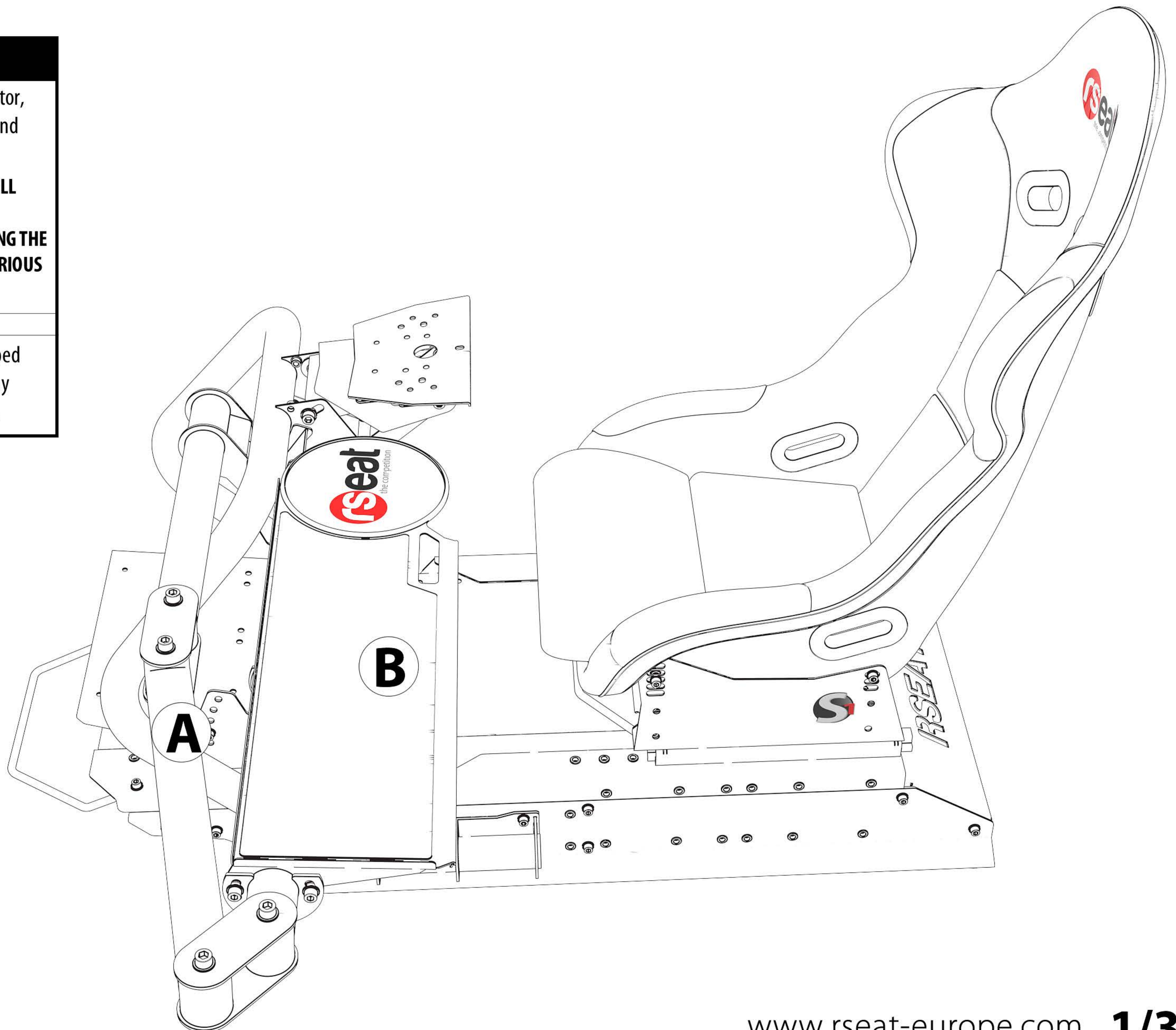


WARNINGS

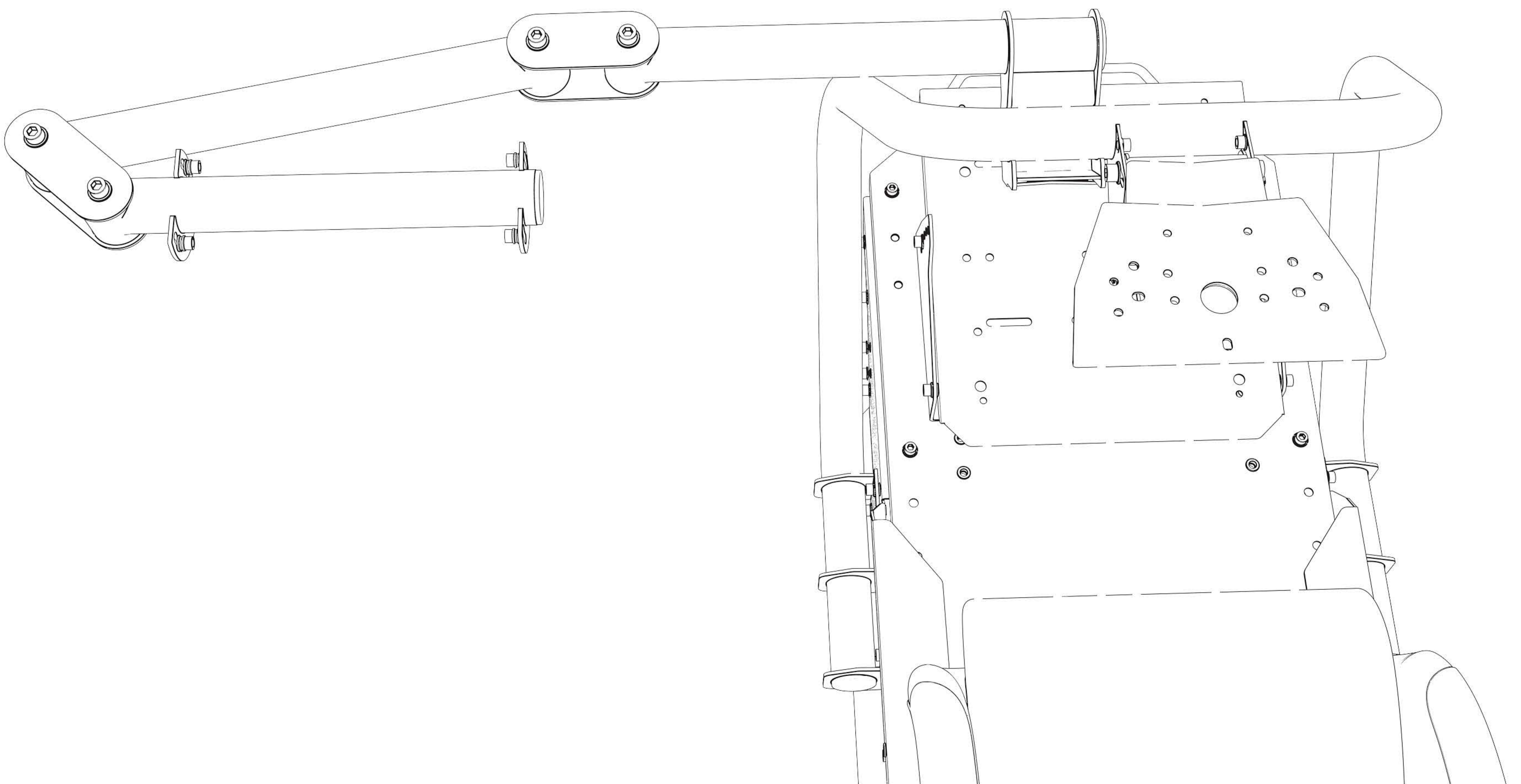
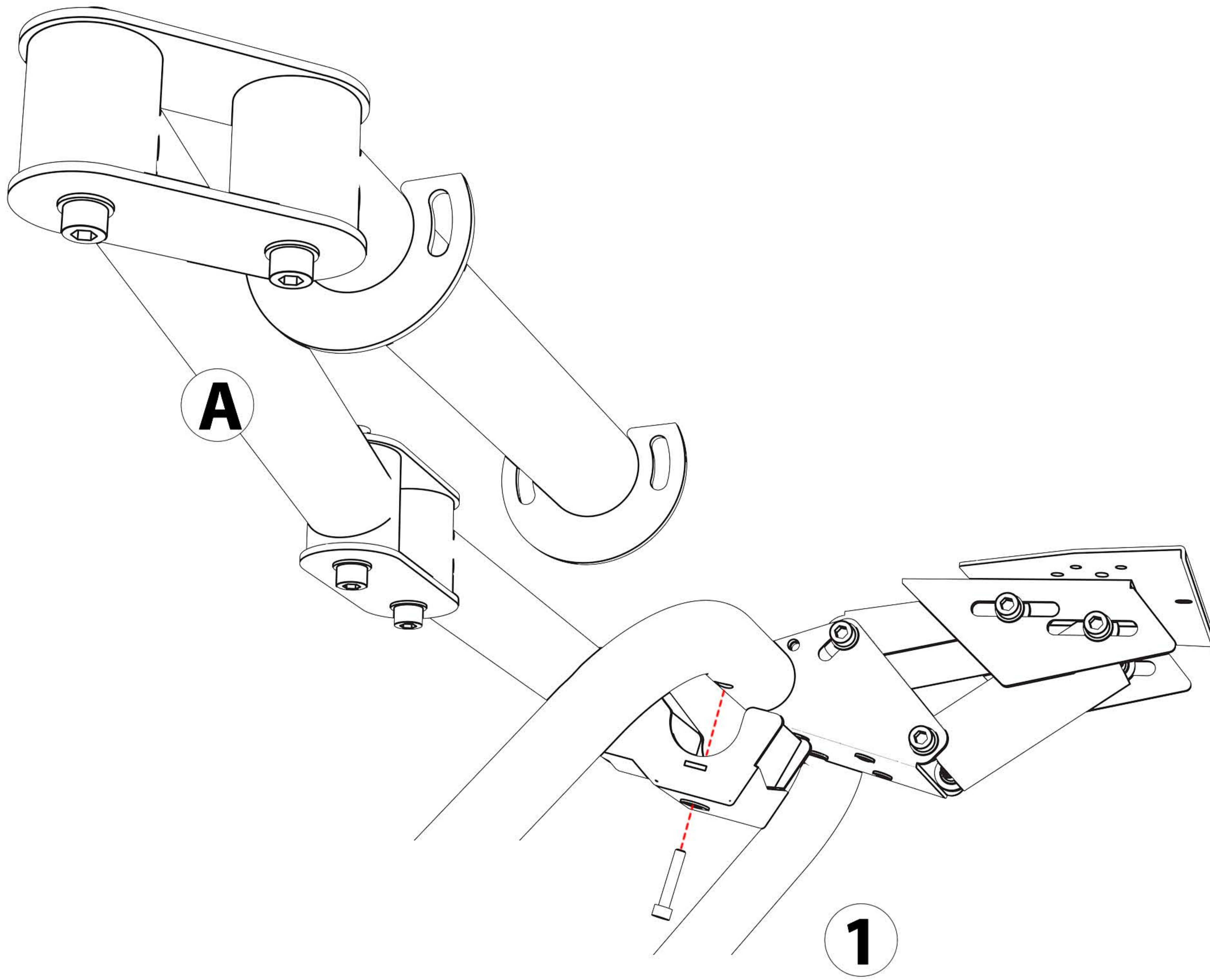
Before you begin assembling this simulator, please read all installation instructions and warnings thoroughly.

FAILURE TO COMPLY WITH OR OBSERVE ALL ASSEMBLY, SAFETY AND OPERATION INSTRUCTIONS AND WARNINGS REGARDING THE USE OF THIS PRODUCT MAY RESULT IN SERIOUS BODILY INJURY.

This simulator complies with the prescribed safety regulations. Inappropriate use may cause damage to persons and simulator.

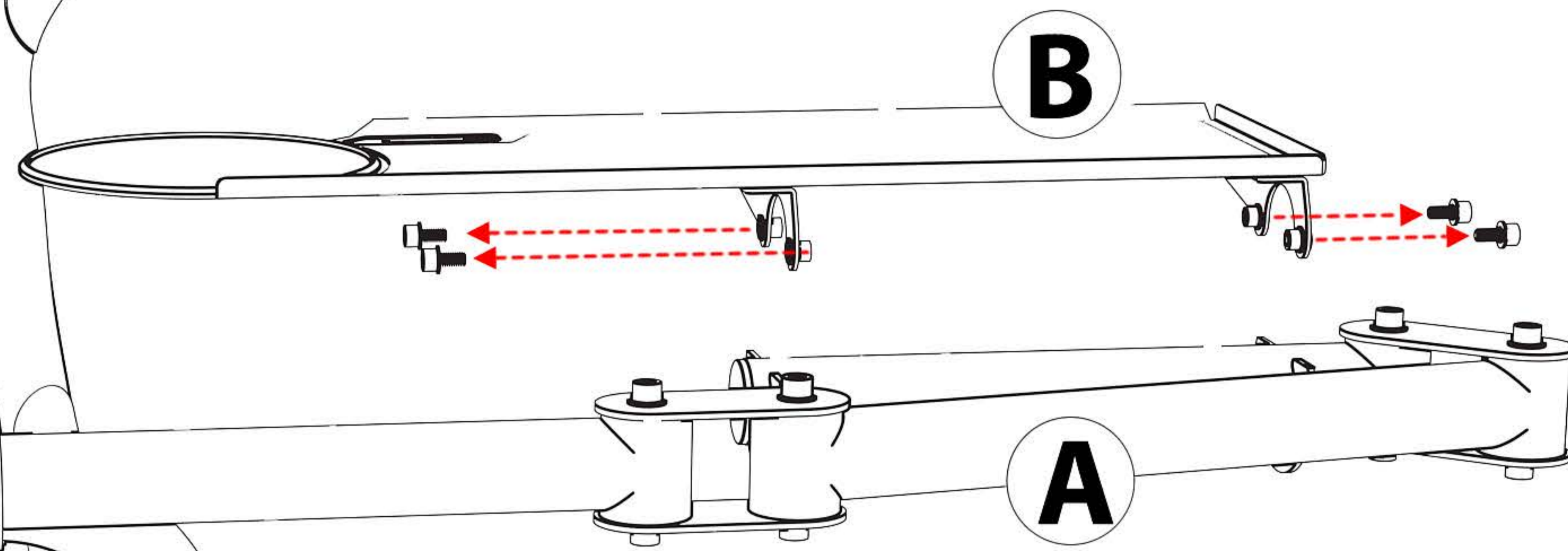
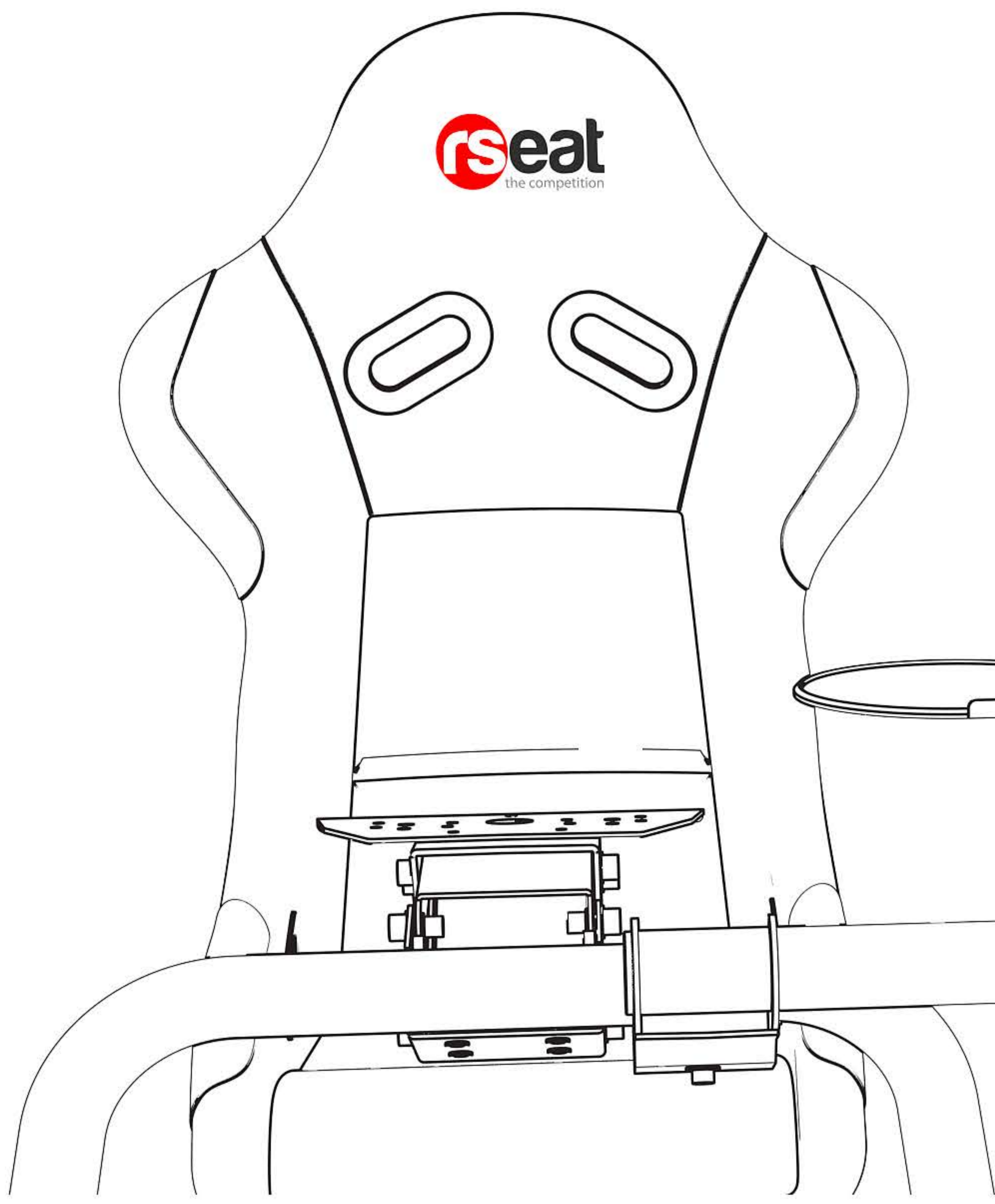


- 1** Install the Keyboard/Mouse tray adjustable arm (A) using 1 x (M10x45mm) screw to the the S1 chassis. Use the 8mm HEX Key provided with the package(C) Install as shown on the images below.



2

Remove the 4 x (M8x20mm) screws from the Keyboard/Mouse tray (A) using the 6mm HEX Key provided with the package(C)



2

3

Install the Keyboard/Mouse tray (B) to the adjustable arm (A) using 4 x (M8x20mm) screws (from step 2) to the the S1 chassis. Use the 6mm HEX Key provided with the package(C) Install as shown on the image below.

