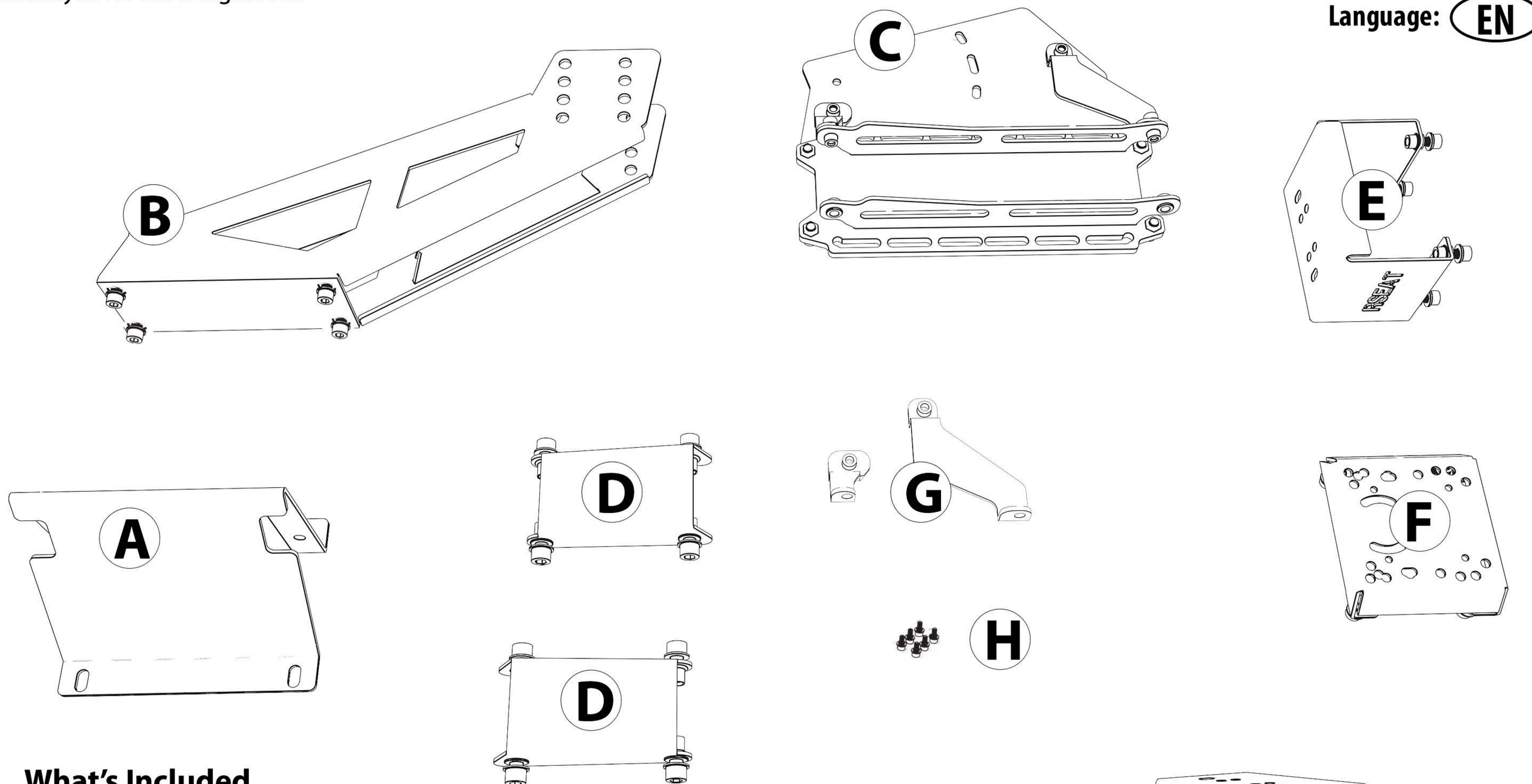




ASSEMBLY INSTRUCTIONS RSEAT S1 Shifter/Handbrake mount Upgrade kit

Thank you for choosing RSEAT.

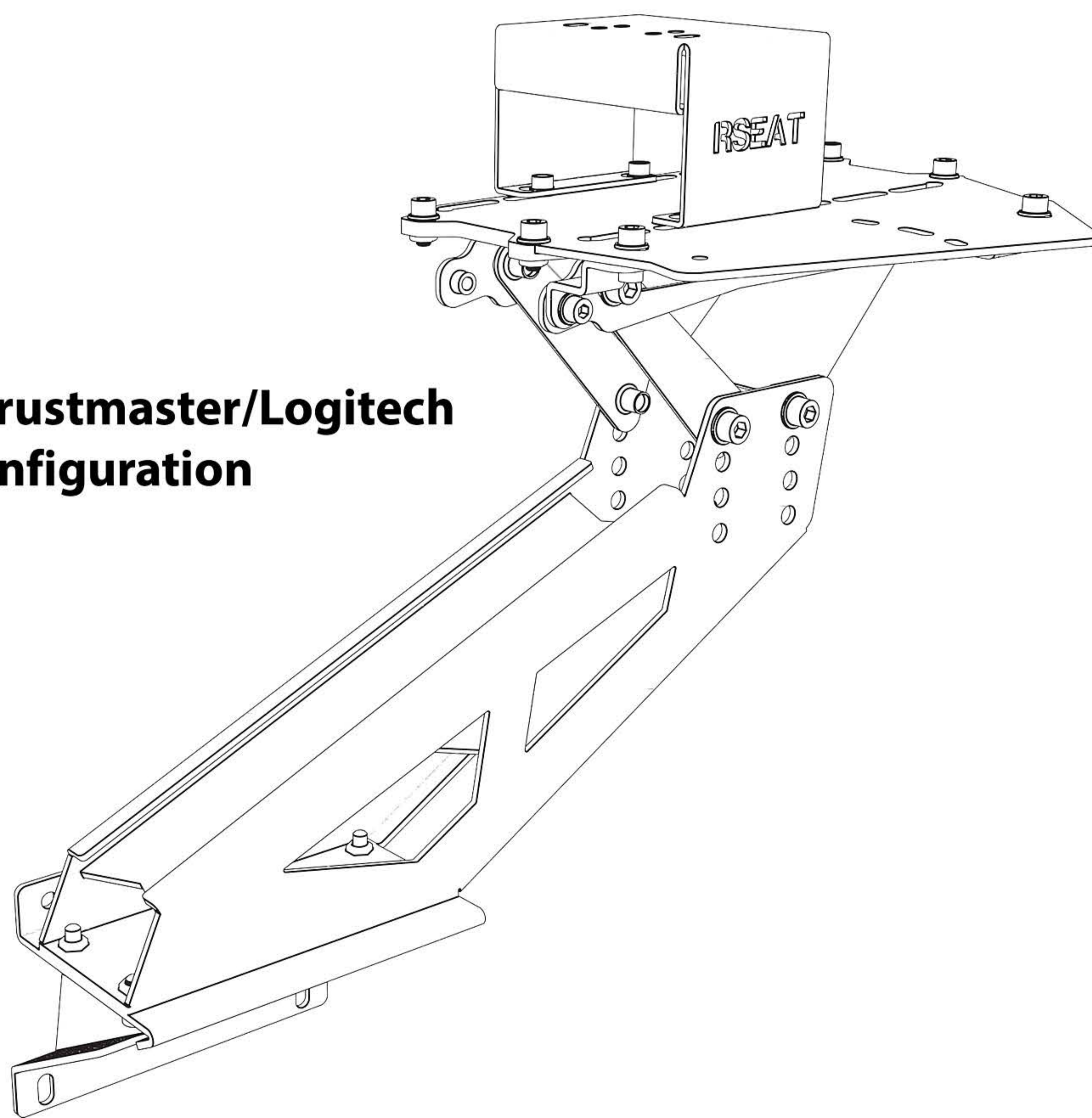
Language: **EN**



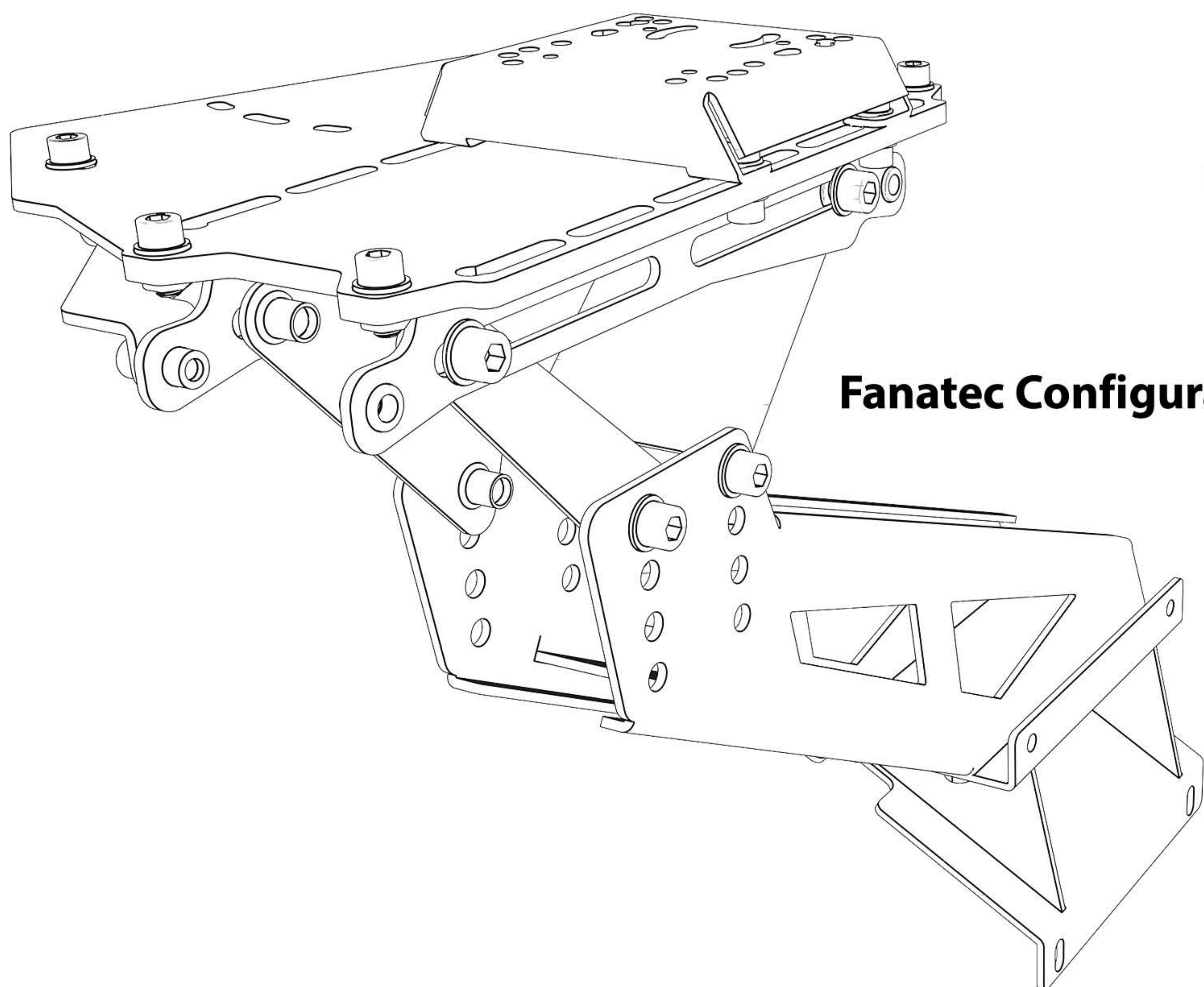
What's Included

- A** Main support A
- B** Main support B
- C** Shifter/Handbrake support
- D** Support Brackets
- E** Thrustmaster/Logitech shifter mount
- F** Fanatec Clubsport shifter mount
- G** Support Brackets for Left side shifter installation
- H** Tools and screws for the assembly. 8x (M8x20mm) screws, 6mm HEX Key, 8mm HEX Key

Thrustmaster/Logitech Configuration



Fanatec Configuration



WARNINGS

Before you begin assembling this simulator, please read all installation instructions and warnings thoroughly.

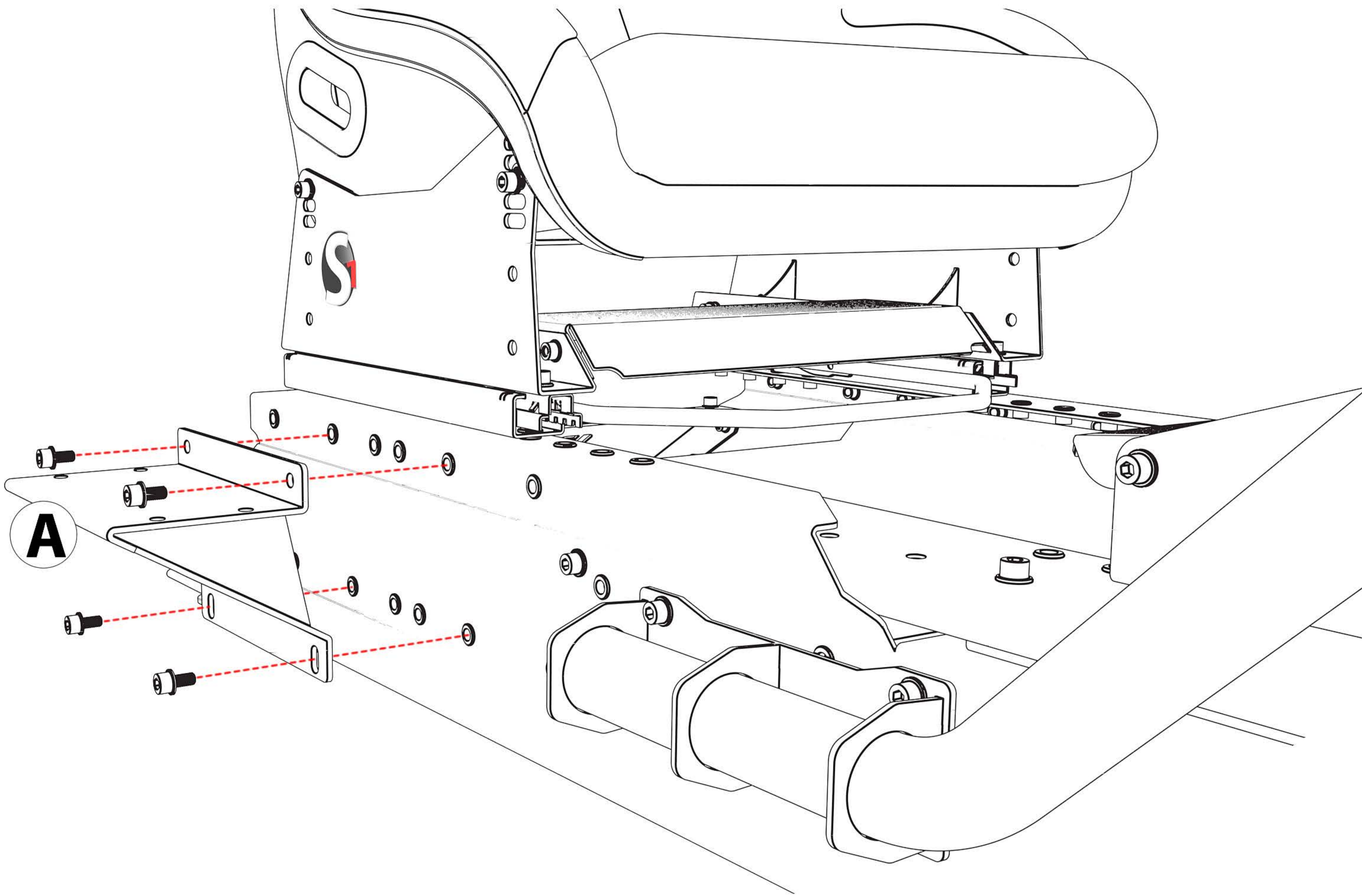
FAILURE TO COMPLY WITH OR OBSERVE ALL ASSEMBLY, SAFETY AND OPERATION INSTRUCTIONS AND WARNINGS REGARDING THE USE OF THIS PRODUCT MAY RESULT IN SERIOUS BODILY INJURY.

This simulator complies with the prescribed safety regulations. Inappropriate use may cause damage to persons and simulator.

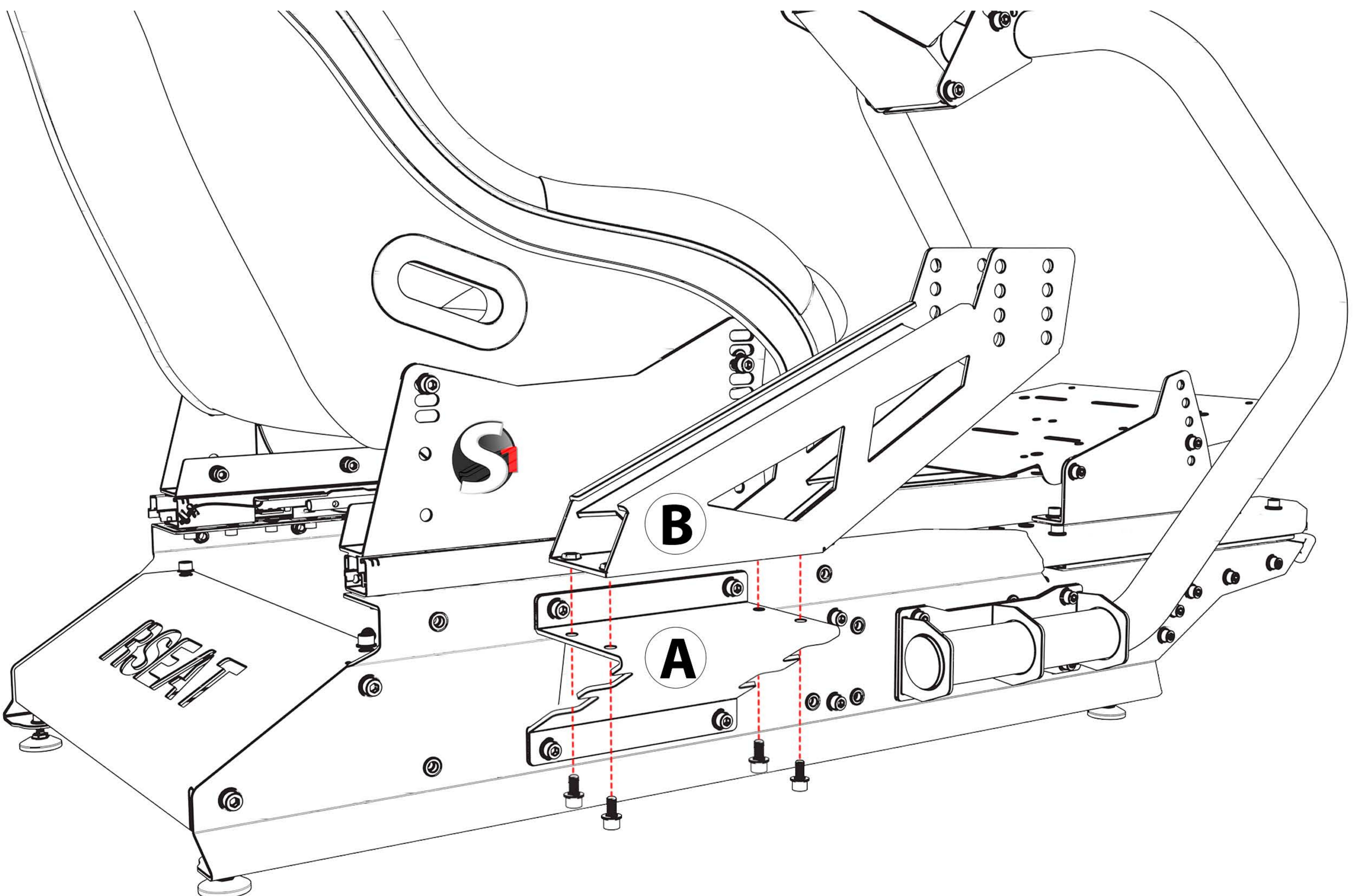
- 1** Install the Shifter/Handbrake Main braket (A) to the S1 Chassis using 4 x (M8x20mm) screws provided with the assembly instruction (H).
Use the 6mm HEX Key to connect (A) to the S1 chassis.
Install as shown on the image below.

Shifter/Handbrake Right hand drive

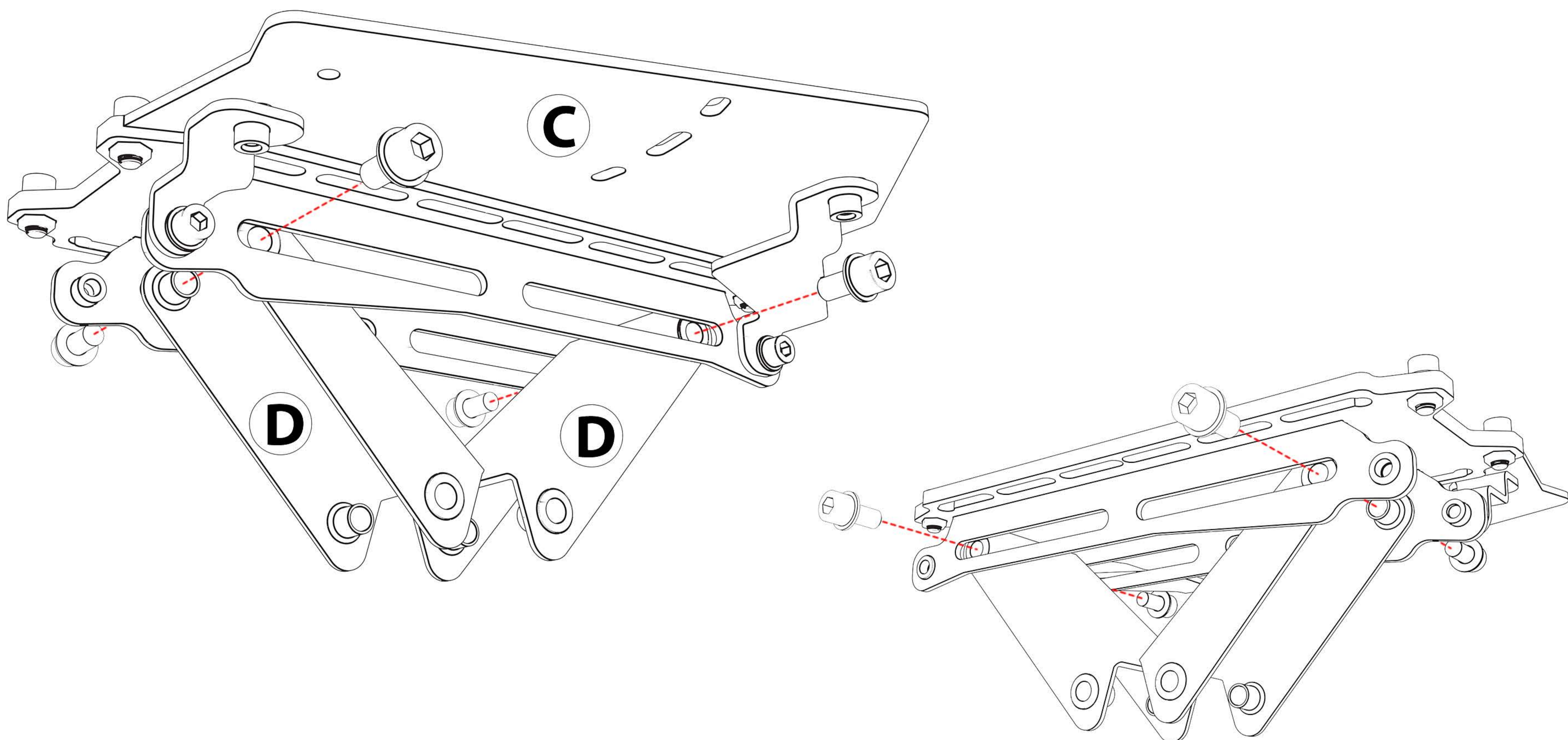
Note! For Left Hand Drive install on the right side of S1 chassis.



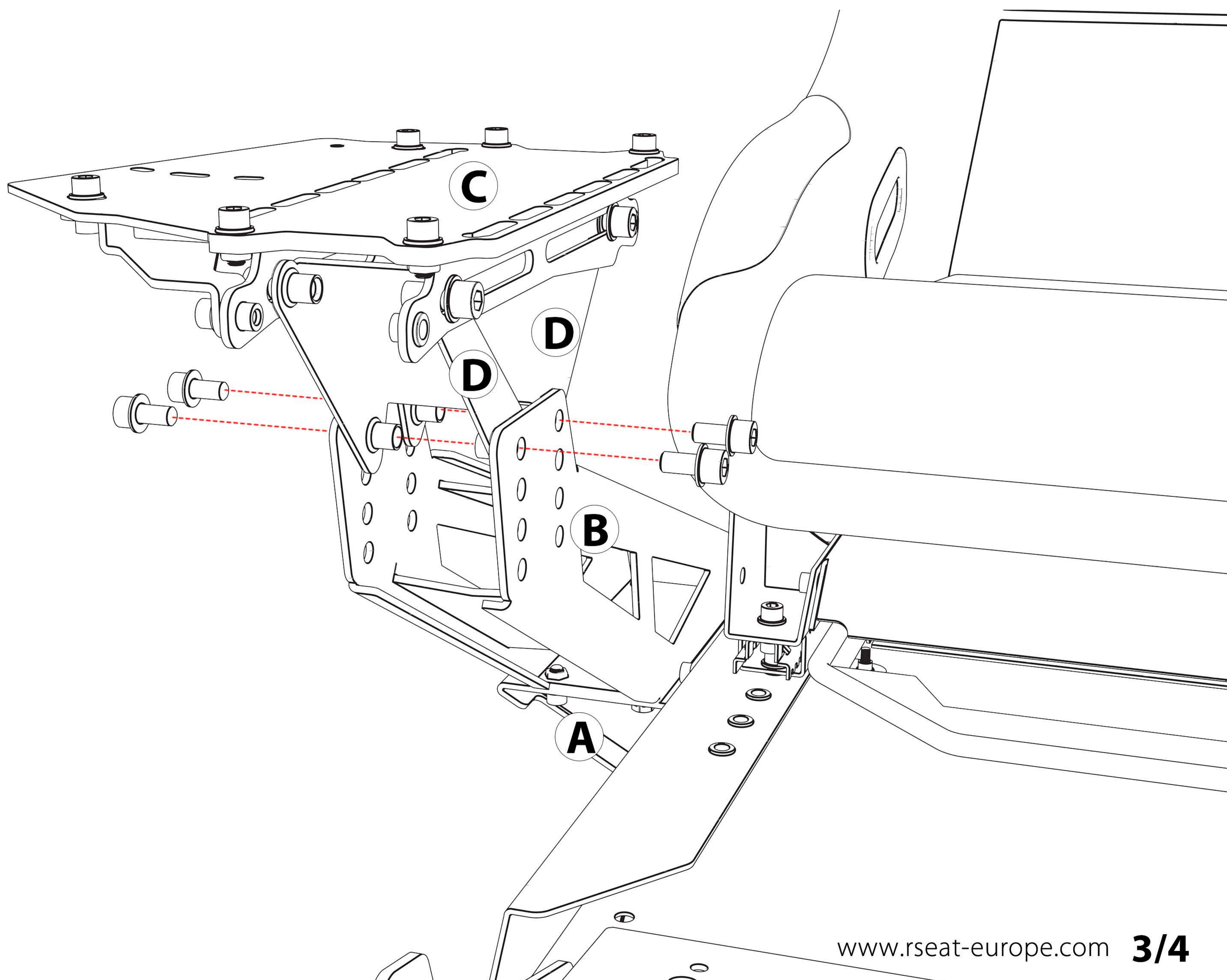
- 2** Install the Main Support (A) to the Main Support B using 4 x (M8x20mm) allen head bolts provided with the assembly instruction (H).
Use the 6mm HEX Key .
Install as shown on the image below.



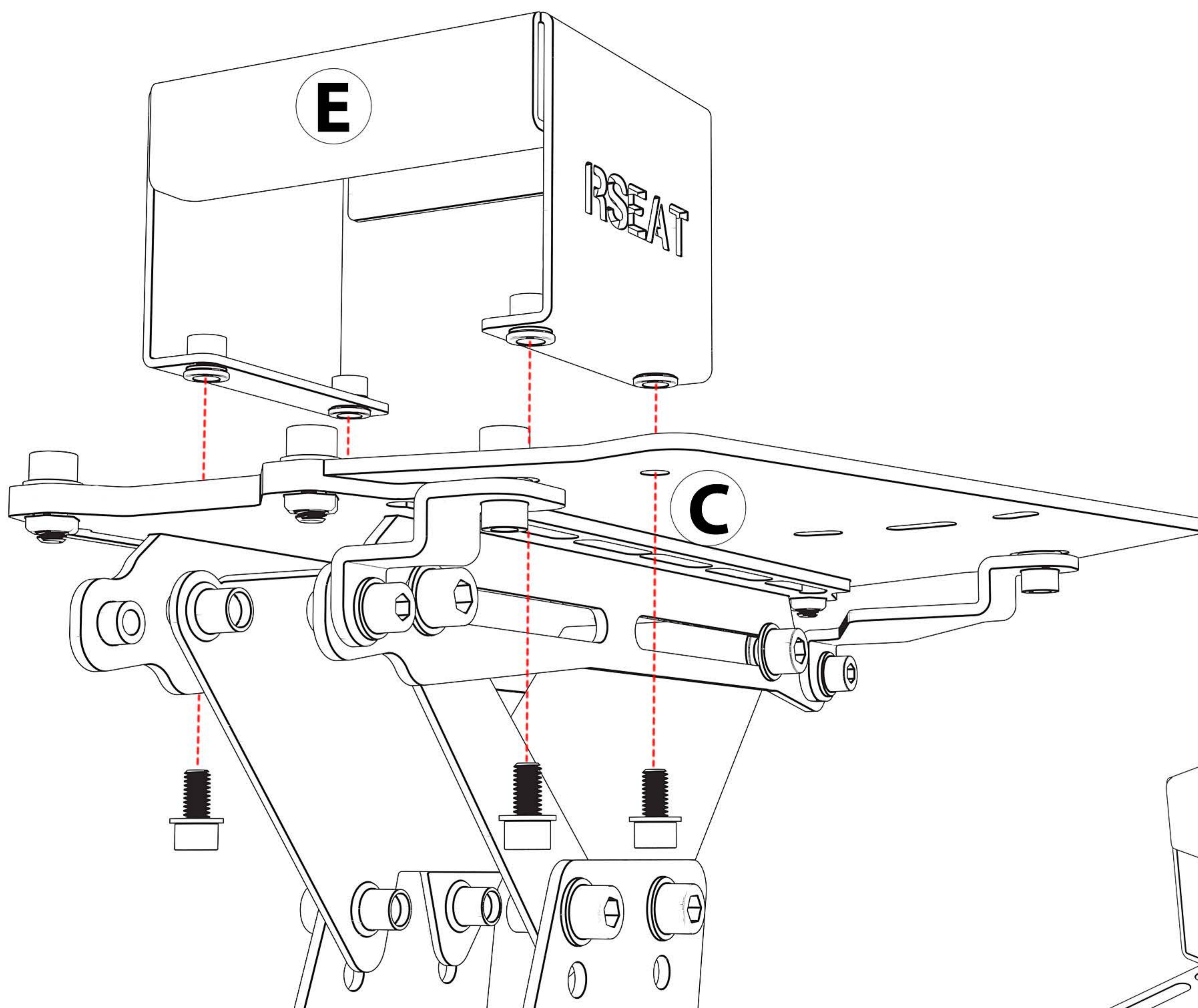
- 3** Install Sub Assembly C to support Brackets D using 8mm Hex key and 4 x (M10x20mm) bolts
Bolts are located on support brackets (D)



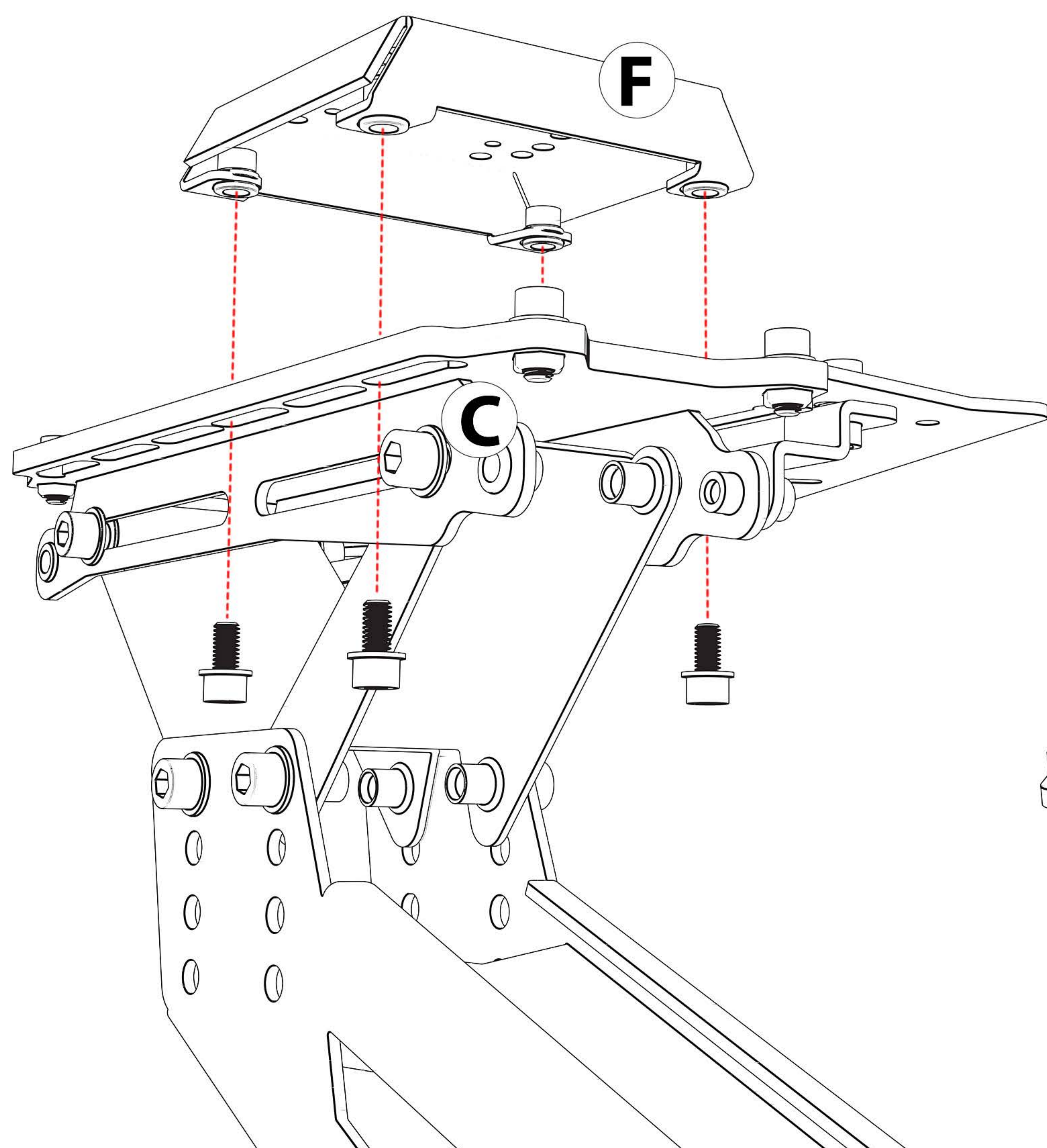
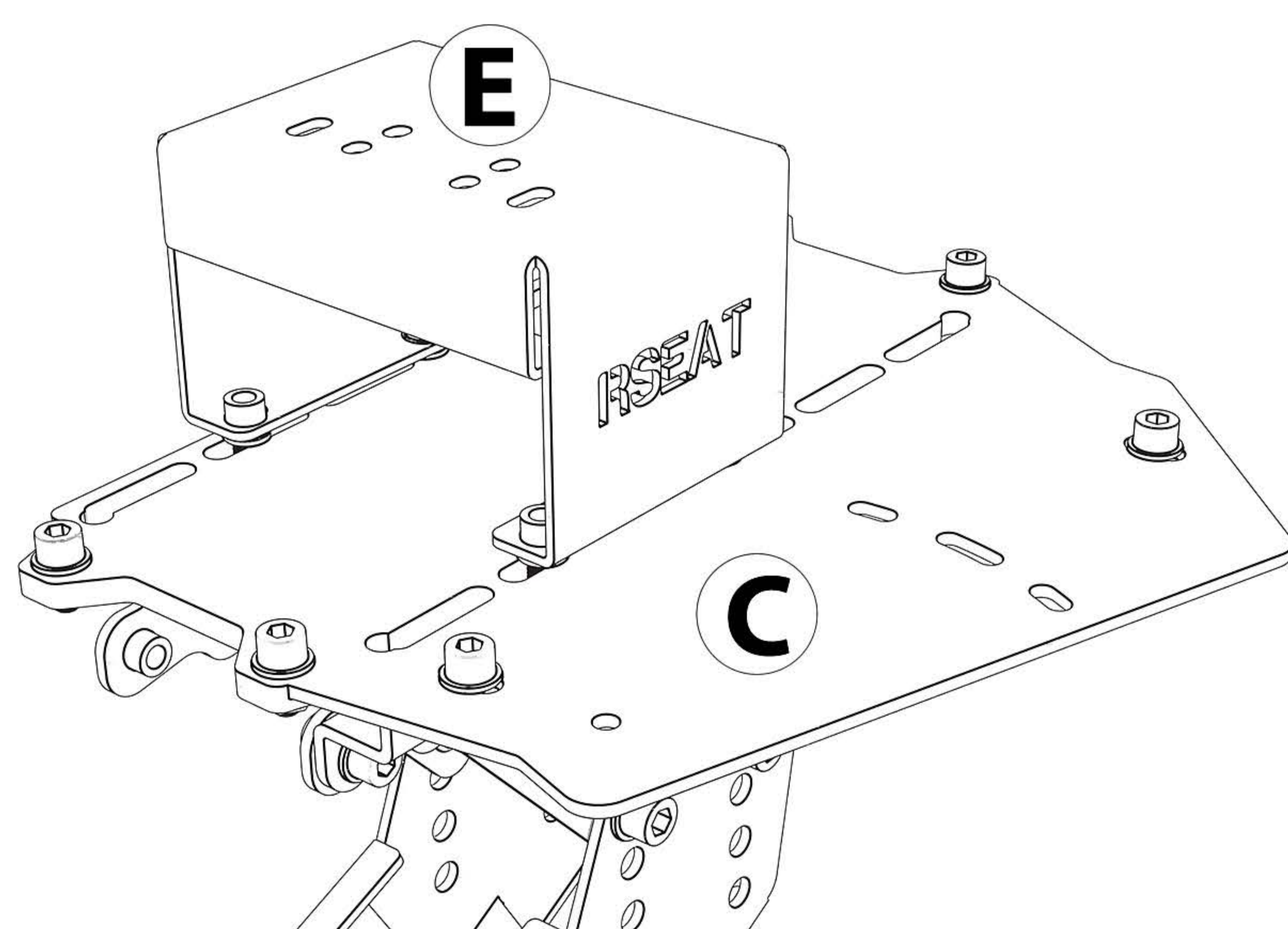
- 4** Install Sub Assembly C,D,D to Main Support B using 8mm Hex key and 4 x (M10x20mm) bolts
Bolts are located on support brackets (D)



- 5** Please Note. First you have to install your Shifter (Logitech, Thrustmaster or Fanatec) on shifter mount E (Thrustmaster/Logitech shifters) or shifter mount F (Fanatec clubsport shifter). After you install your gear shifter with E or F, support them in the position you prefer using 4 x (M8x20mm) bolts to sub assembly C. Use 6mm Hex key. Install as shown on the images below.



Thrustmaster/Logitech Configuration



Fanatec Clubsport Configuration

