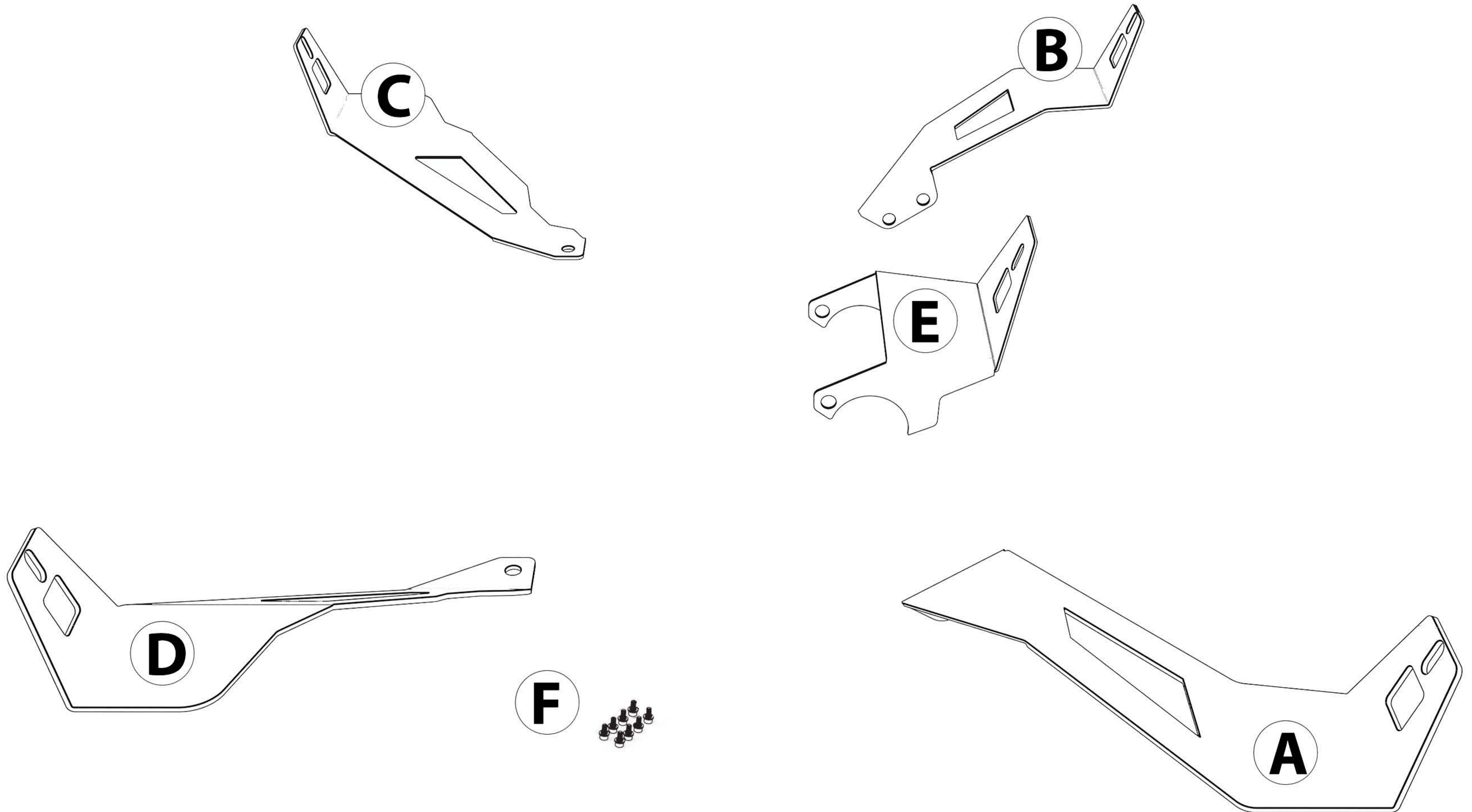




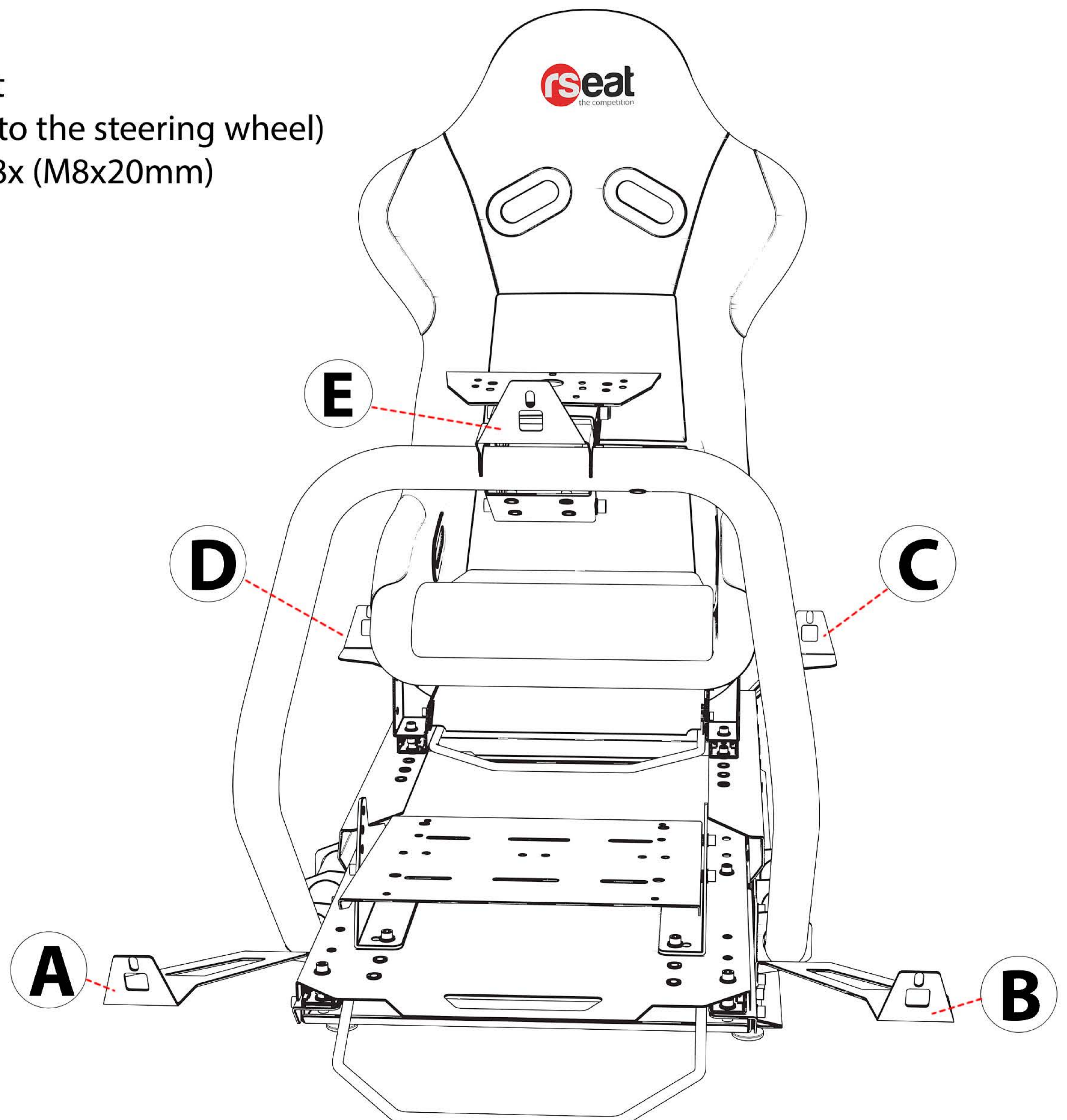
ASSEMBLY INSTRUCTIONS RSEAT S1 Speakers Mount Upgrade kit

Thank you for choosing RSEAT.



What's Included

- A** RSEAT S1 Front right Speaker Mount
- B** RSEAT S1 Front left Speaker Mount
- C** RSEAT S1 Rear Left Speaker Mount
- D** RSEAT S1 Rear Right Speaker Mount
- E** RSEAT S1 Top Speaker Mount (next to the steering wheel)
- F** Tools and screws for the assembly. 8x (M8x20mm) screws and 6mm HEX Key.



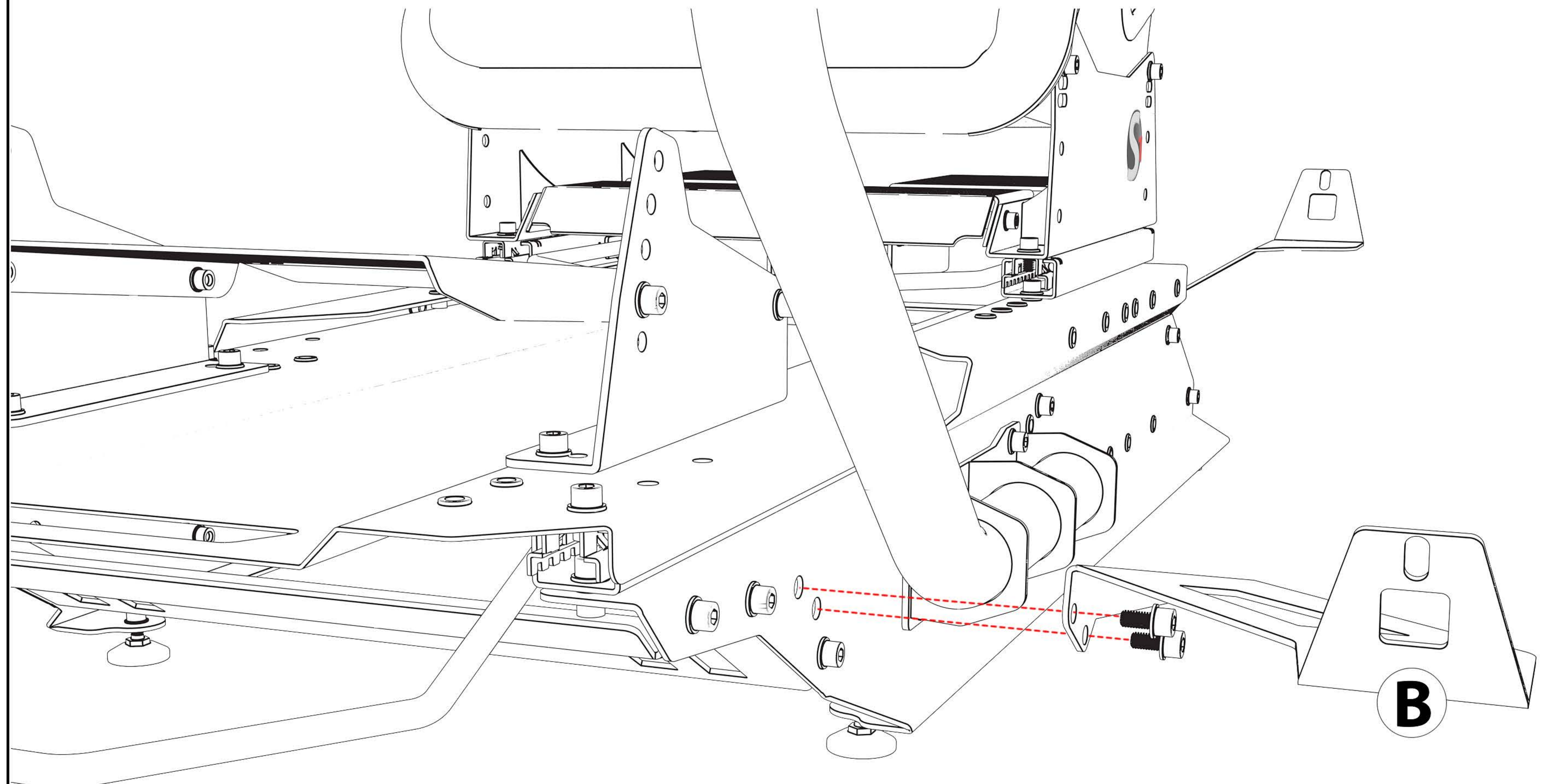
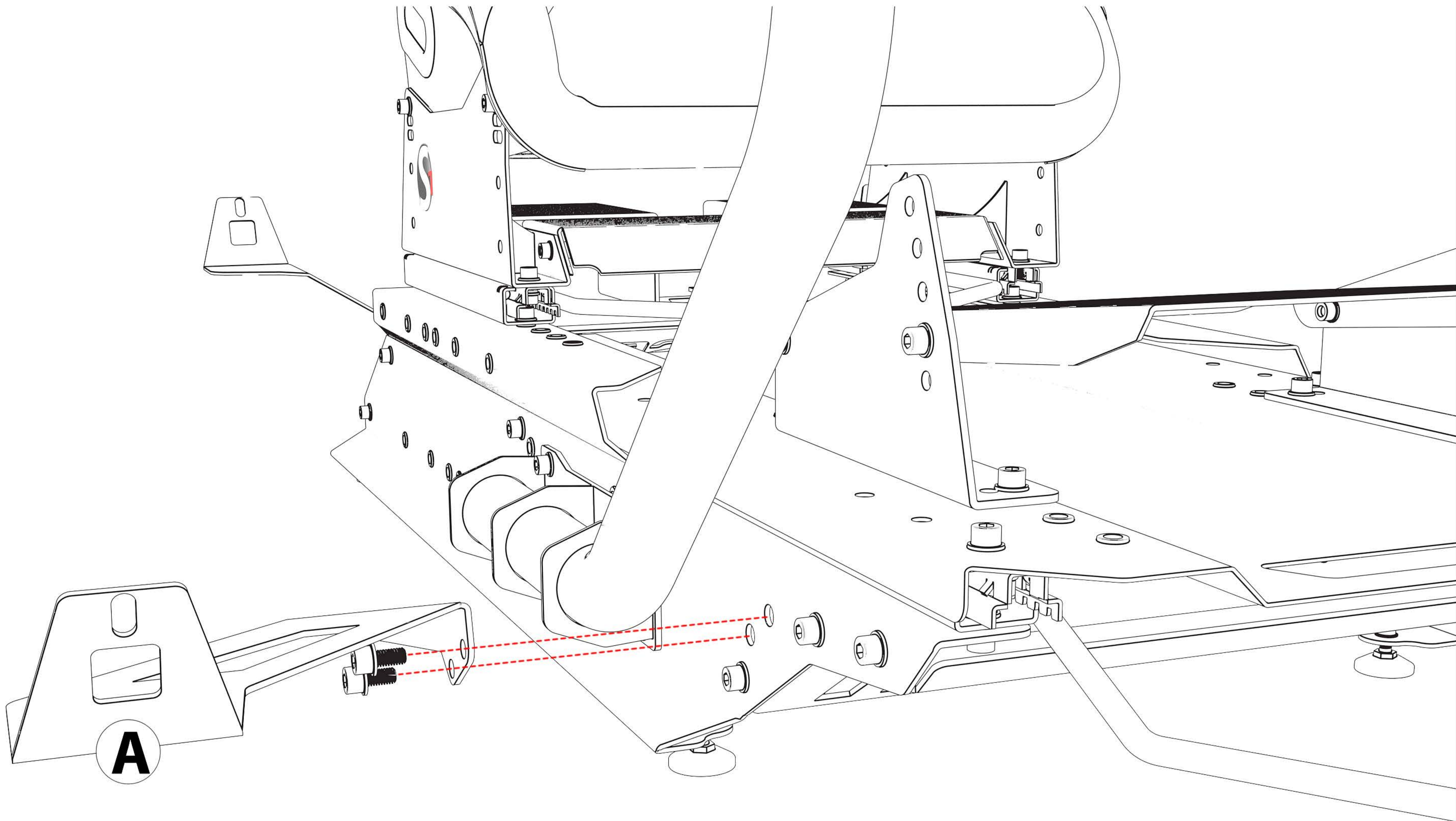
WARNINGS

Before you begin assembling this simulator, please read all installation instructions and warnings thoroughly.

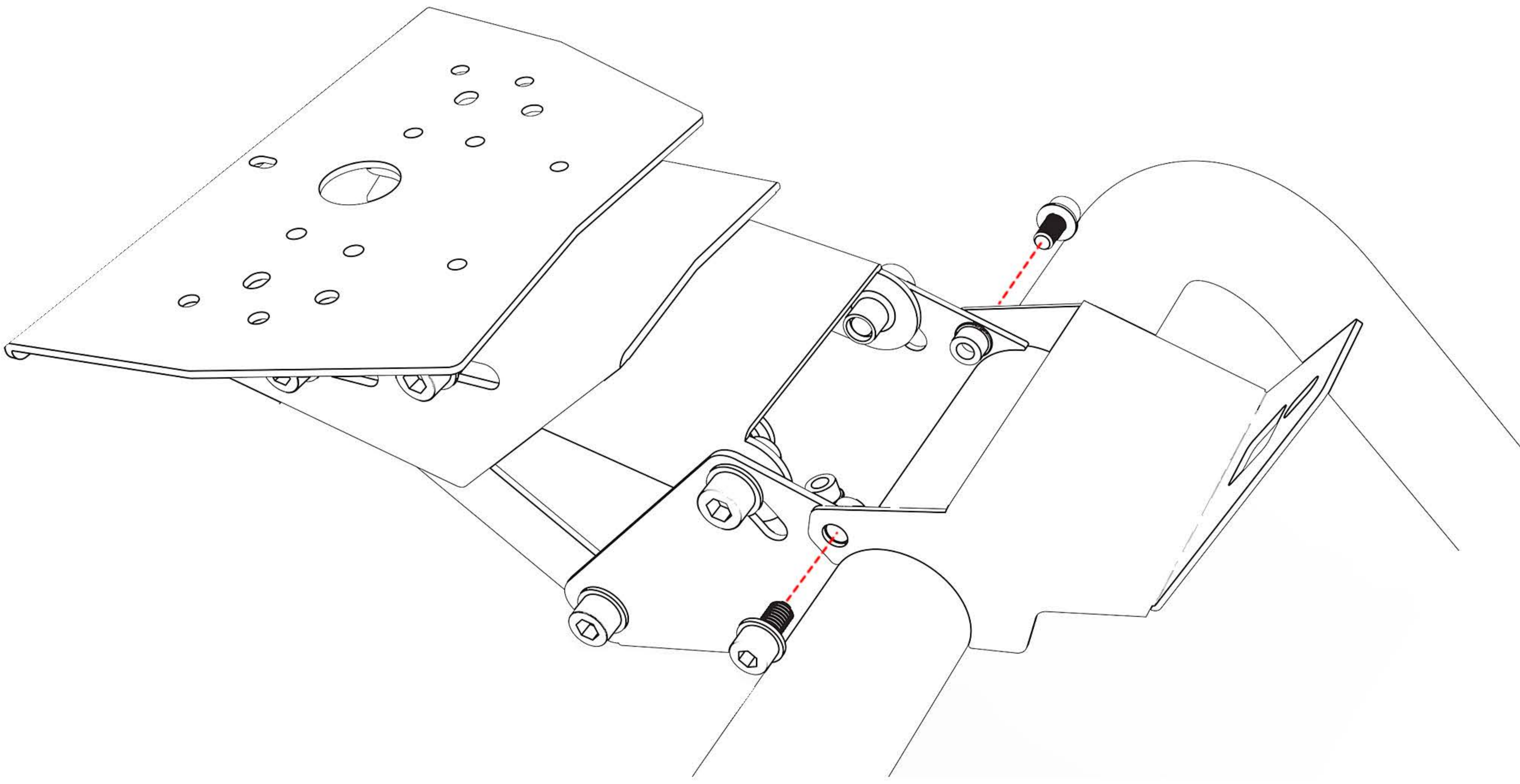
FAILURE TO COMPLY WITH OR OBSERVE ALL ASSEMBLY, SAFETY AND OPERATION INSTRUCTIONS AND WARNINGS REGARDING THE USE OF THIS PRODUCT MAY RESULT IN SERIOUS BODILY INJURY.

This simulator complies with the prescribed safety regulations. Inappropriate use may cause damage to persons and simulator.

- 1** Install the Front speaker mounts (A) and (B) using 2 x (M8x20mm) screws per side to the the S1 chassis.
Use the 6mm HEX Key provided with the package(F)
Install as shown on the images below.



- 2** Install the Top speaker mount (E) using 2 x (M8x20mm) screws to the the S1 chassis.
Use the 6mm HEX Key provided with the package(F)
Install as shown on the image below.



- 3** Install the Rear-left and Rear-right speaker mounts (C,D) using 1 x (M8x20mm hex head bolt) screws for each side.
Use the 13 mm wrench provided with the package(F)
Install as shown on the image below.

