

# RSEAT KBMT

This instruction is developed to assist you in assembling of RSEAT Static Keyboard and Mouse Tray

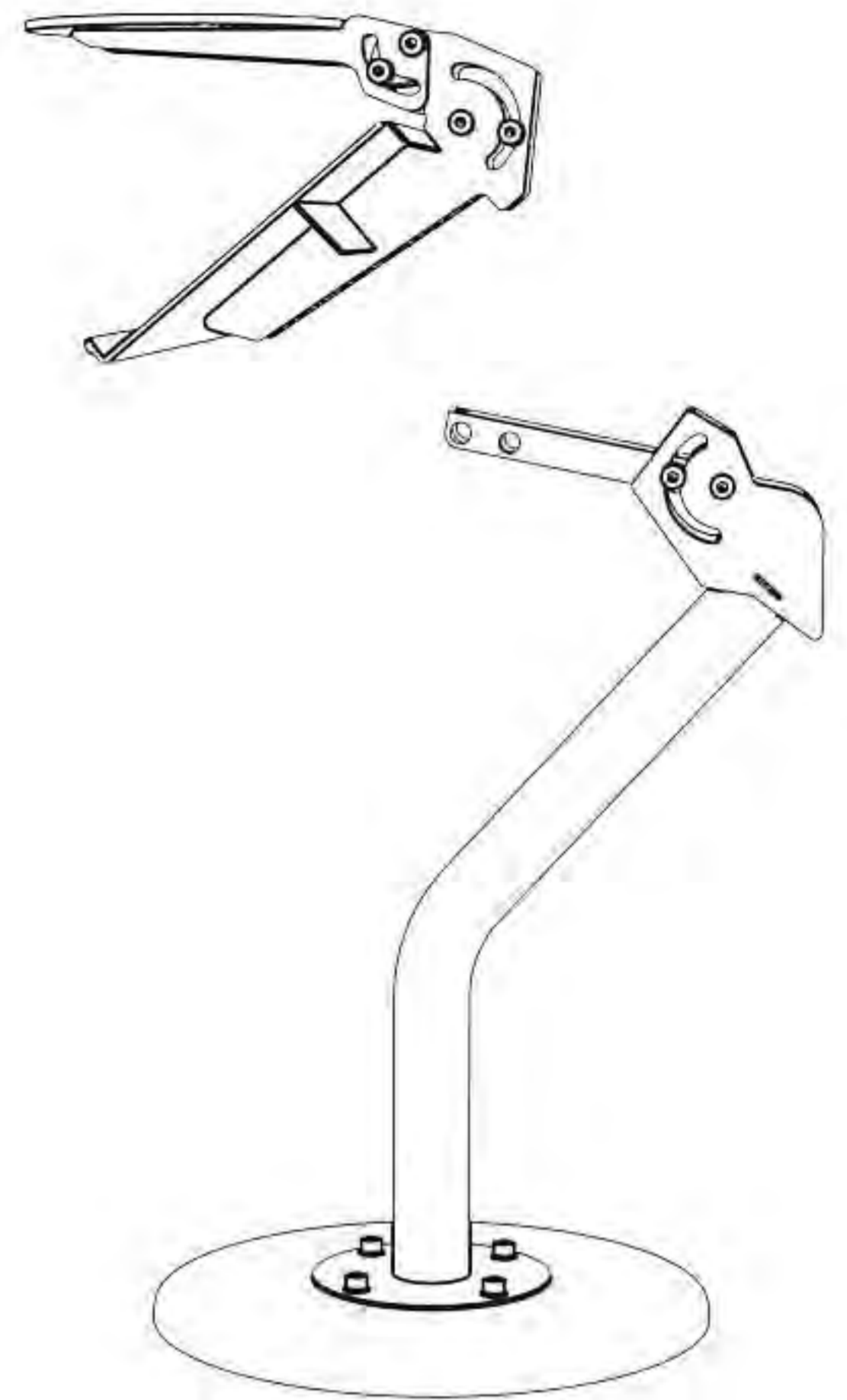
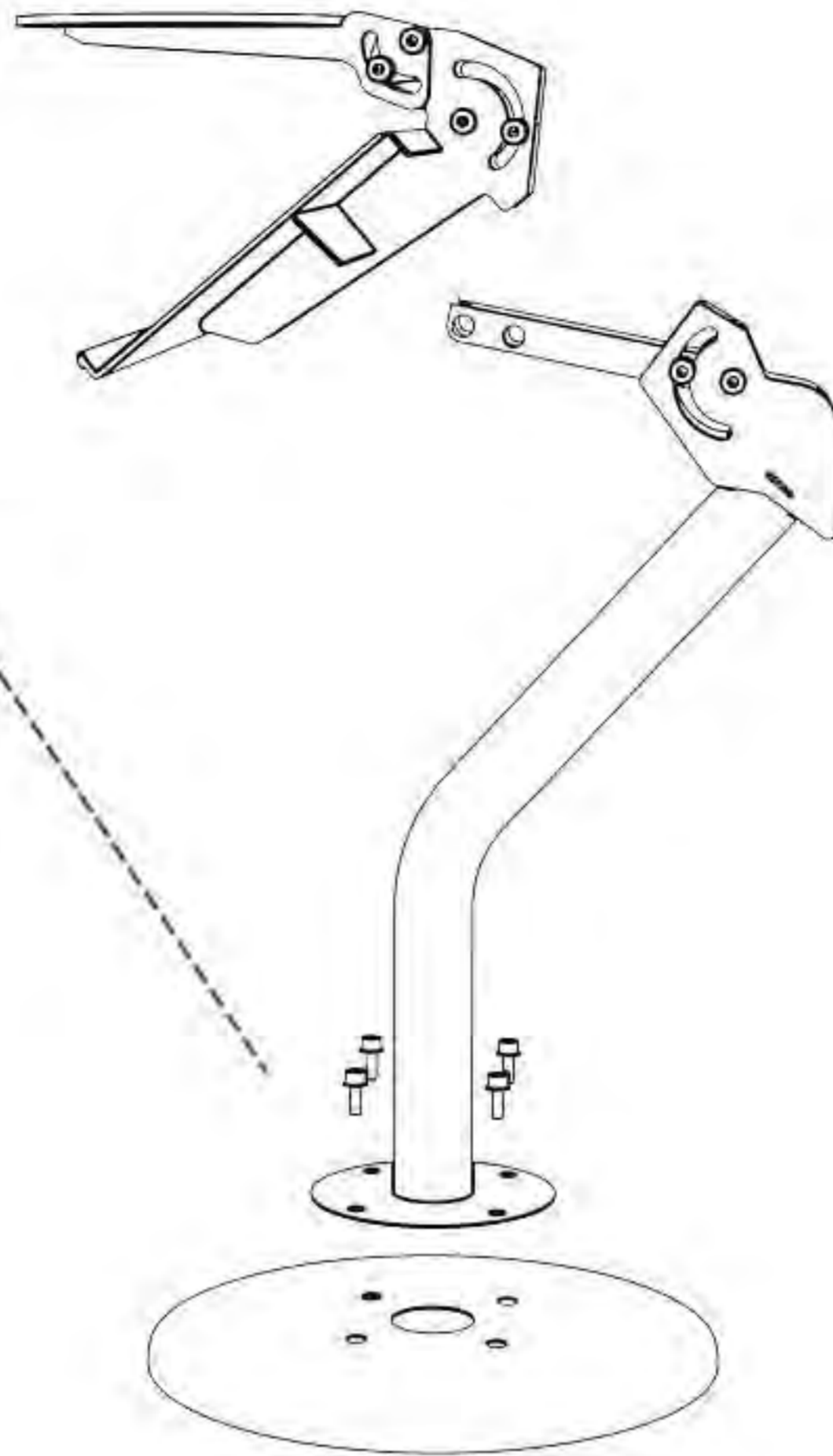
www.rseat-europe.com

Language: **EN**

## RSEAT STATIC KEYBOARD AND MOUSE TRAY ASSEMBLY INSTRUCTIONS EN

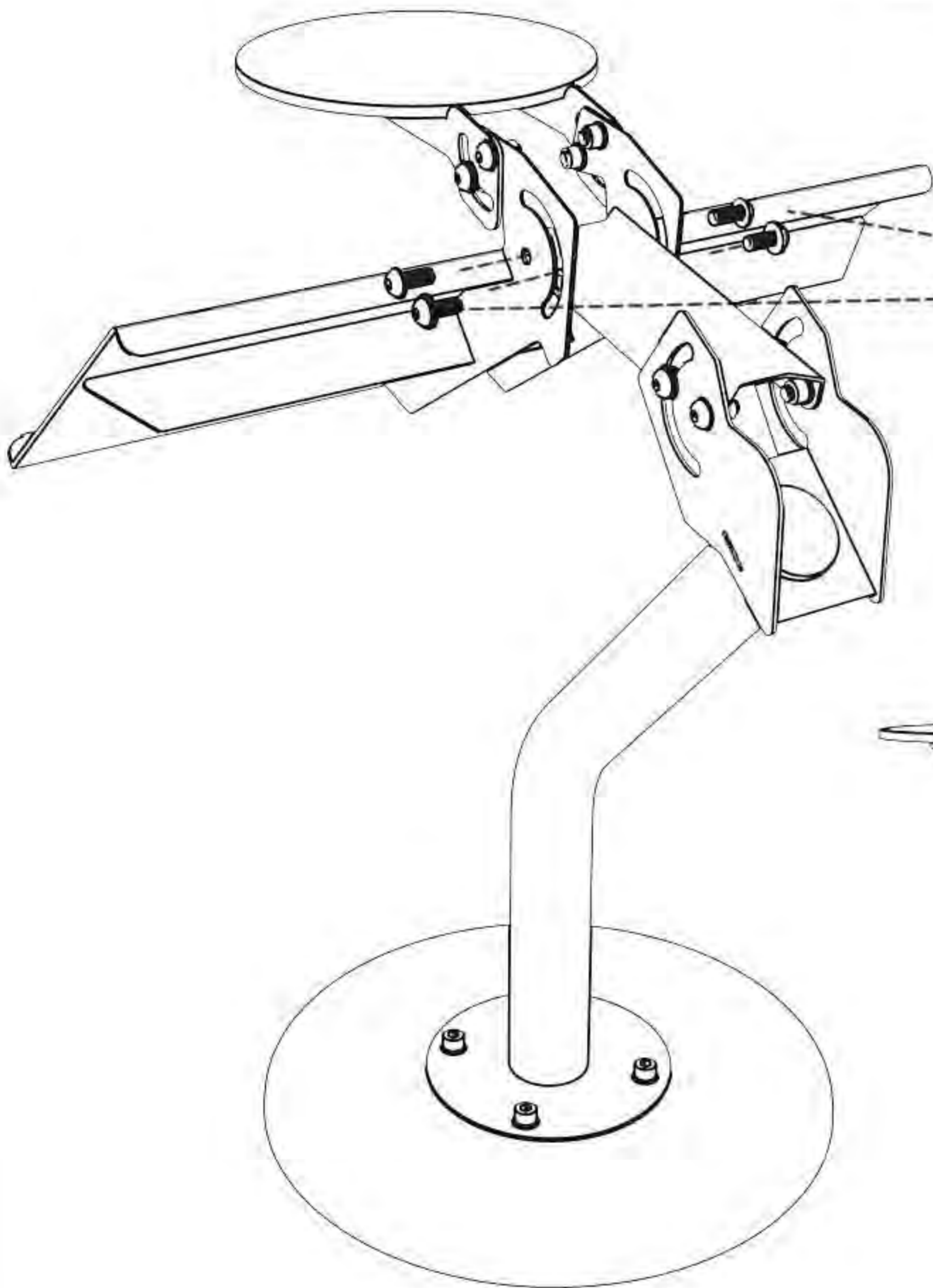
**1**

Assemble the Keyboard and Mouse tray leg as shown on the picture below. Use 4x8 screws to attach the leg to the stand.



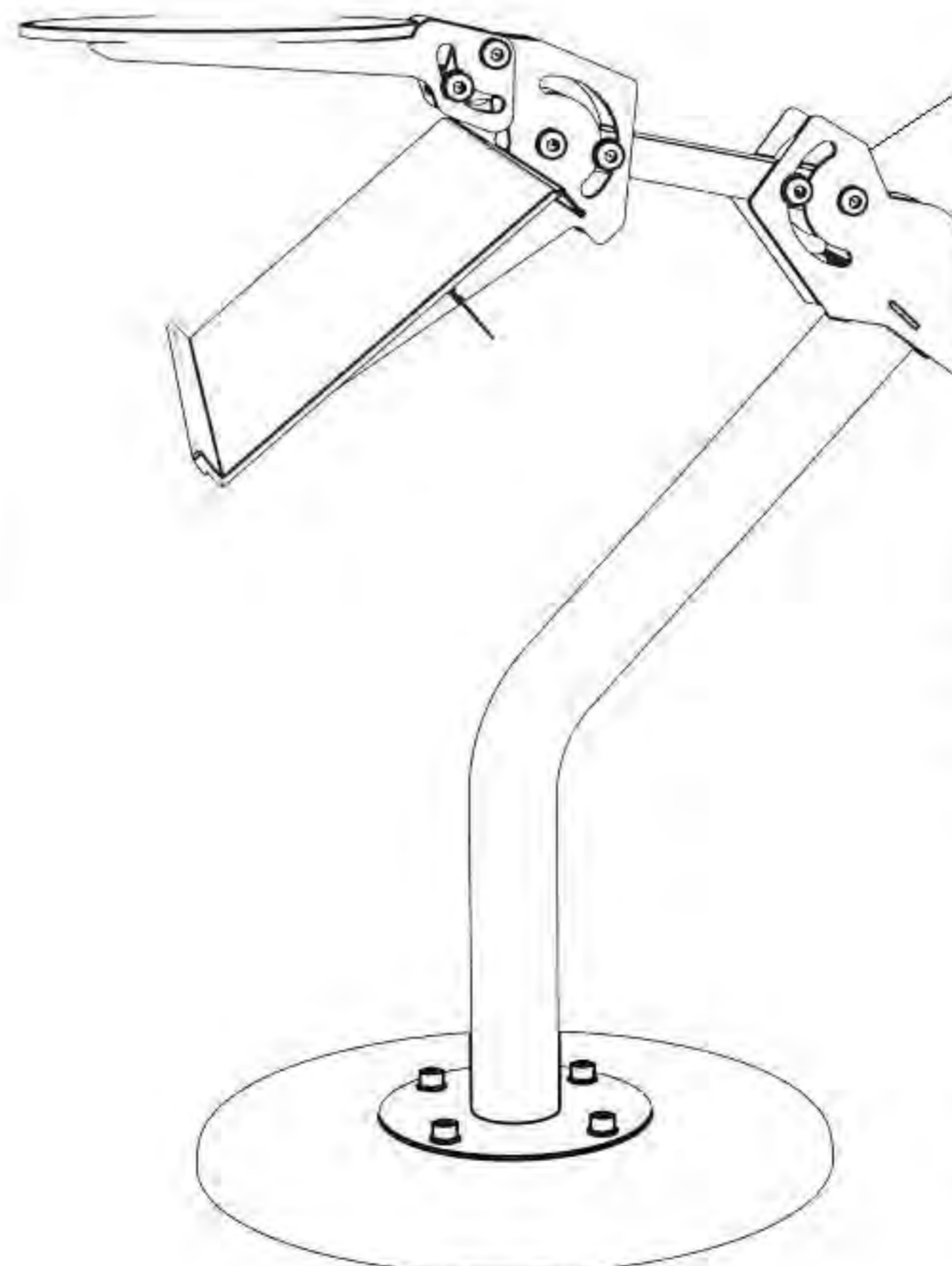
**2**

Use 4x8 screws to attach the Top tray to the leg



**3**

The stand is ready for use.



### WARNINGS

Before you begin assembling this stand please read all installation instructions and warnings thoroughly.

**FAILURE TO COMPLY WITH OR OBSERVE ALL ASSEMBLY, SAFETY AND OPERATION INSTRUCTIONS AND WARNINGS REGARDING THE USE OF THIS PRODUCT MAY RESULT IN SERIOUS BODILY INJURY.**

This simulator complies with the prescribed safety regulations. Inappropriate use may cause damage to persons and simulator.