

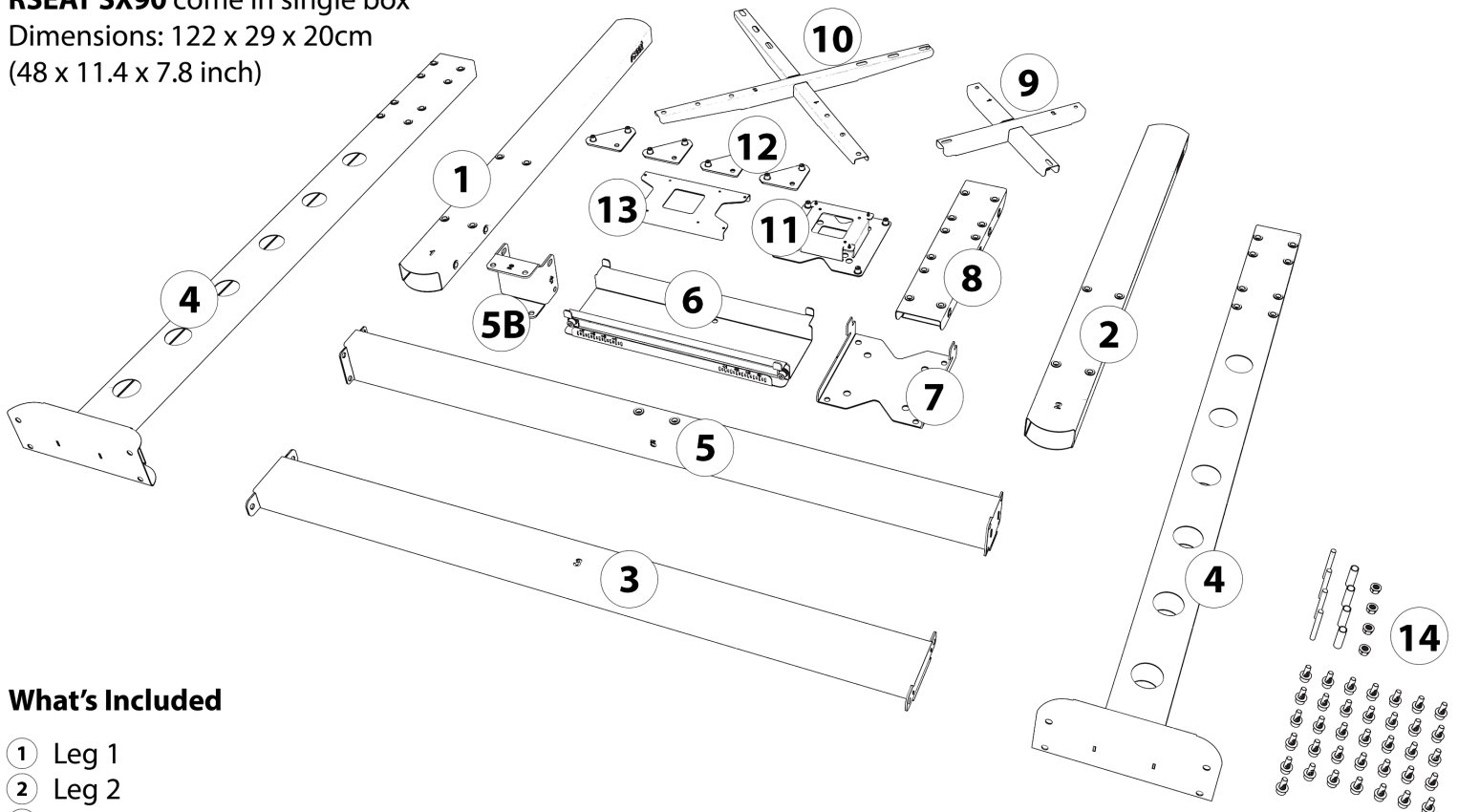
ASSEMBLY INSTRUCTIONS RSEAT SX90 SINGLE STAND

Thank you for choosing RSEAT. This instruction is developed to assist you in assembling of RSEAT SX90

RSEAT SX90 come in single box

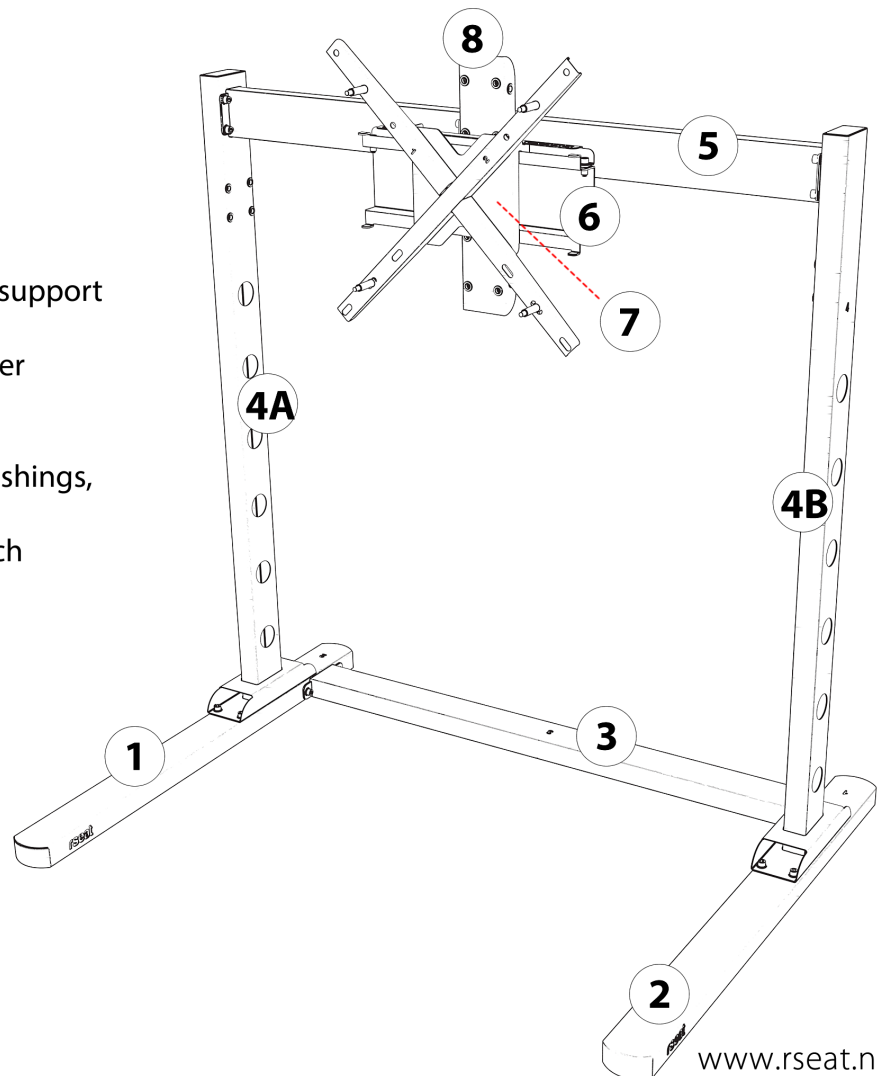
Dimensions: 122 x 29 x 20cm

(48 x 11.4 x 7.8 inch)



What's Included

- ① Leg 1
- ② Leg 2
- ③ Bottom cross member 3
- ④ 2 x Vertical support 4
- ⑤ Top cross member 5
- 5B VESAs Bracket 2
- ⑥ VESAs Mid support
- ⑦ VESAs Front support
- ⑧ VESAs Back Support
- ⑨ VESAs 200x200 support
- ⑩ VESAs 200x200, 300x300, 400x400 support
- ⑪ VESAs 100x100 support
- ⑫ 4 x VESAs 400x300, 300x200 adapter
- ⑬ VESAs 200x100 support
- ⑭ Tools and screws. 36 x M8 screws, 4xM8 threaded rods, 4x12mm bushings, 4xM8 nut/washer, 4 x M4 screws, 4 and 6mm HEX key, 13mm wrench



WARNINGS

Before you begin assembling this tv/monitor stand, please read all installation instructions and warnings thoroughly.

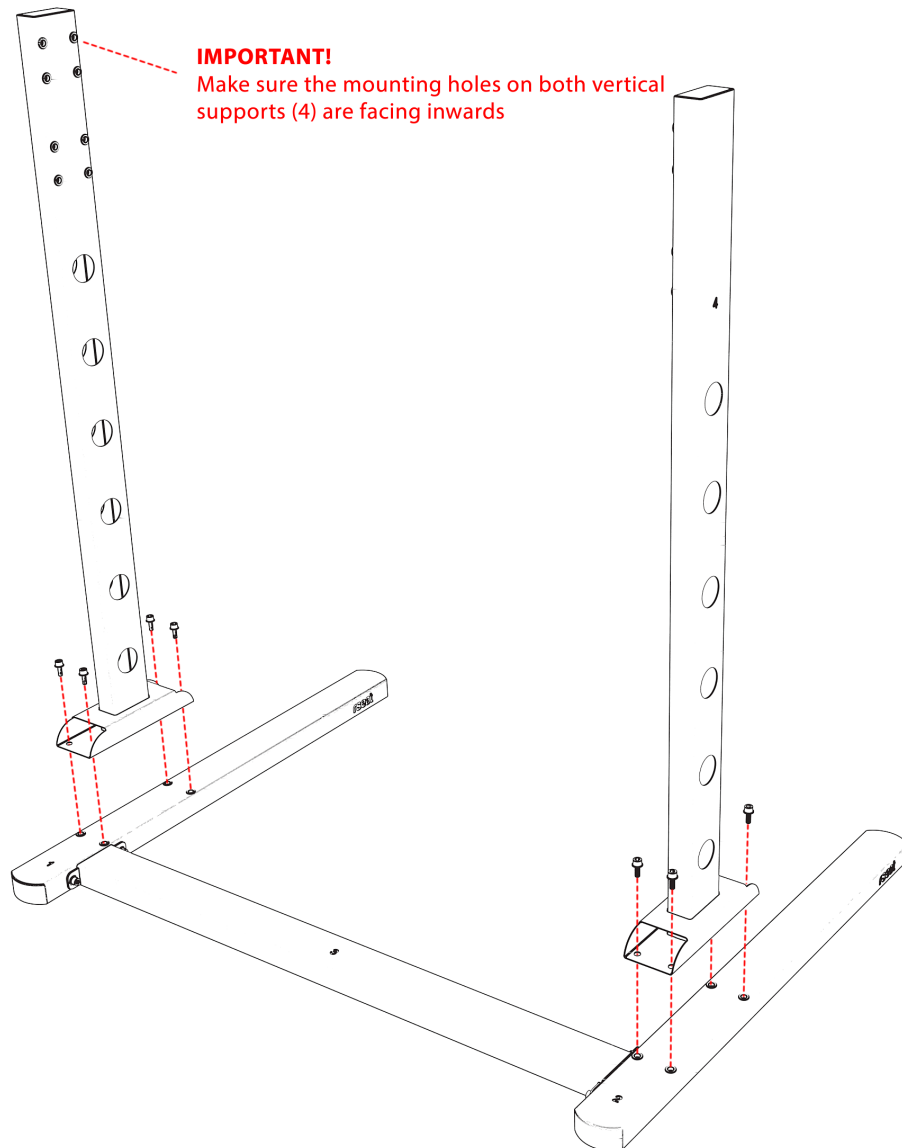
FAILURE TO COMPLY WITH OR OBSERVE ALL ASSEMBLY, SAFETY AND OPERATION INSTRUCTIONS AND WARNINGS REGARDING THE USE OF THIS PRODUCT MAY RESULT IN SERIOUS BODILY INJURY.

This stand complies with the prescribed safety regulations. Inappropriate use may cause damage to persons and stand.

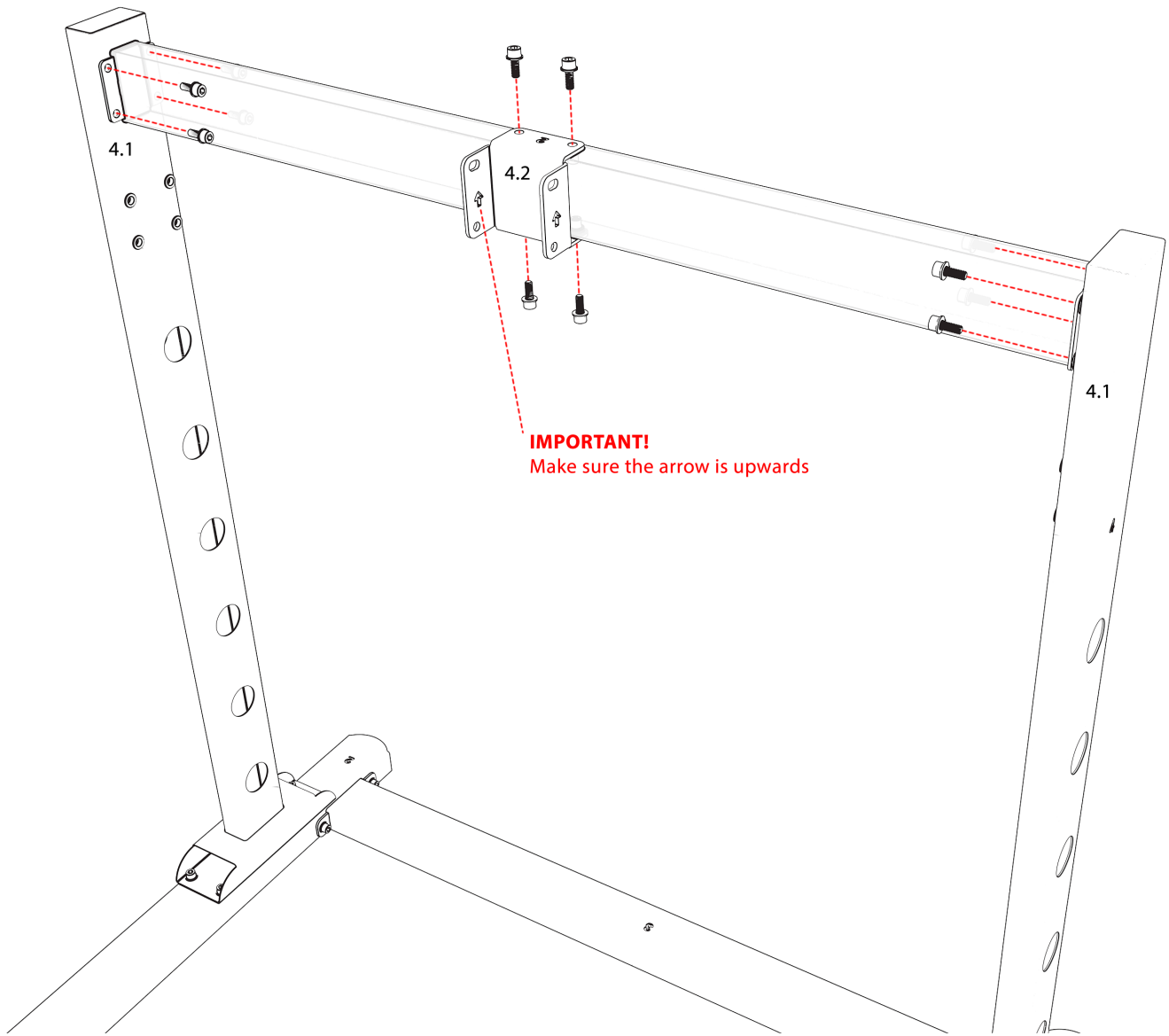
- 1 Remove all the transport packaging including carton protection and Stretch wrap film.
- 2 Install Leg 1 (1) and Leg 2 (2) to Bottom cross member (3), use 4 x M8 screws and 6mm hex key



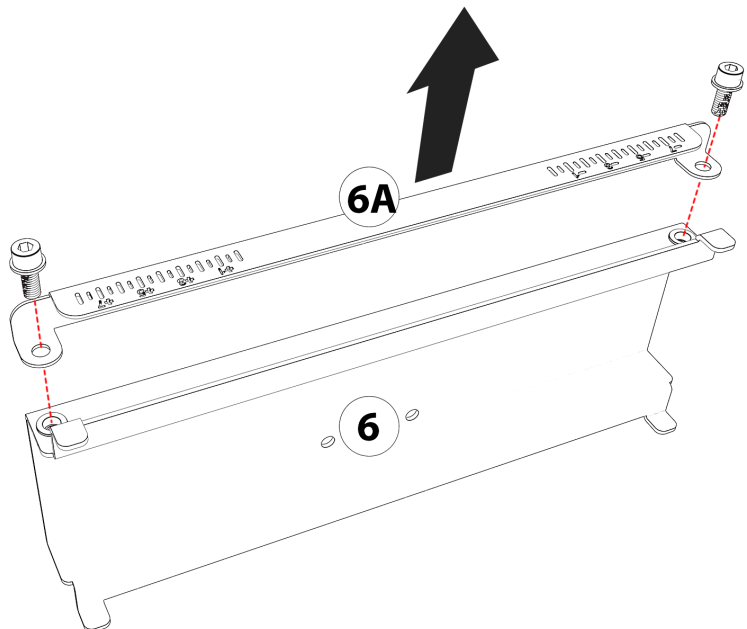
- 3 install Left and right Vertical supports (4) to Leg 1 (1) and Leg 2 (2), use 8 screws M8 (4 per side)
Tight the screws with the 6mm HEX Key



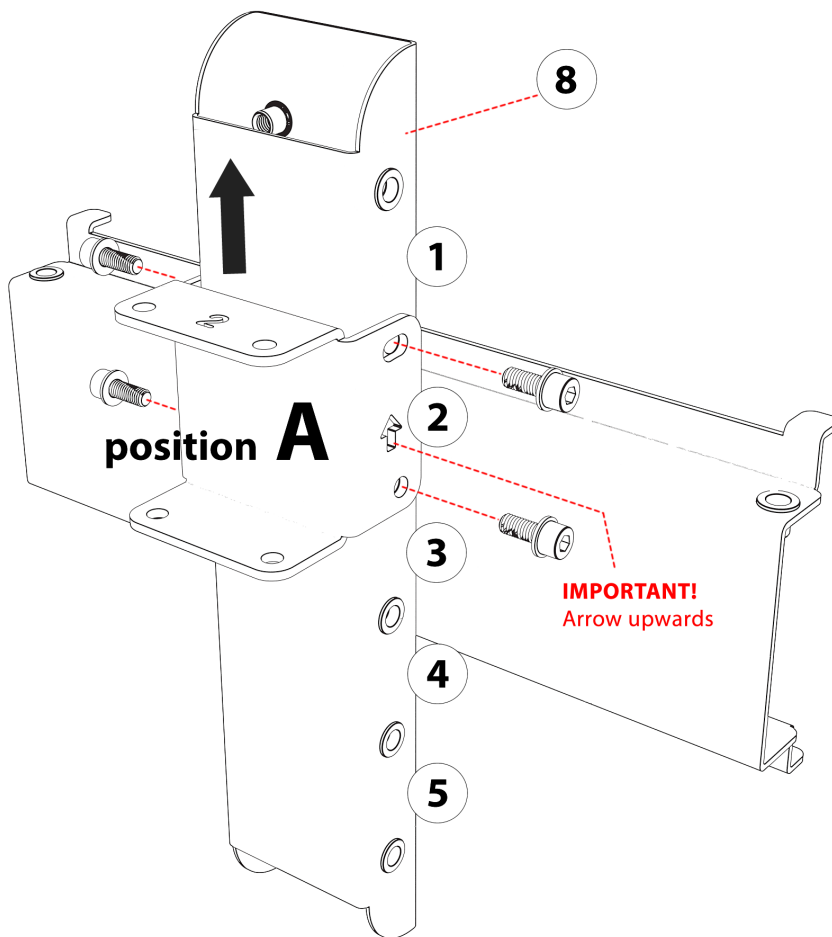
- 4** 4.1 Install Top cross member 5 (5) to left and right vertical supports (4) Use 8 x M8 screws (4 per side)
- 4.2 Install VESA bracket 2 (5B) to top cross member (5) Use 4 x M8 screws (top x 2, bottom x 2) Use the 6mm Hex key



- 5** VESA Mid support (6)
Remove the lock bracket (6A) from VESA Mid support (6)
Use the 6mm HEX Key



- 6** Install VESA Back support (8) to VESA Bracket 2 (5B)
 Use 4 screws M8 x 20mm (2 per side) with the 6mm HEX Key.
 Select the desired height (from the center of the VESA to the floor) with the instructions below.

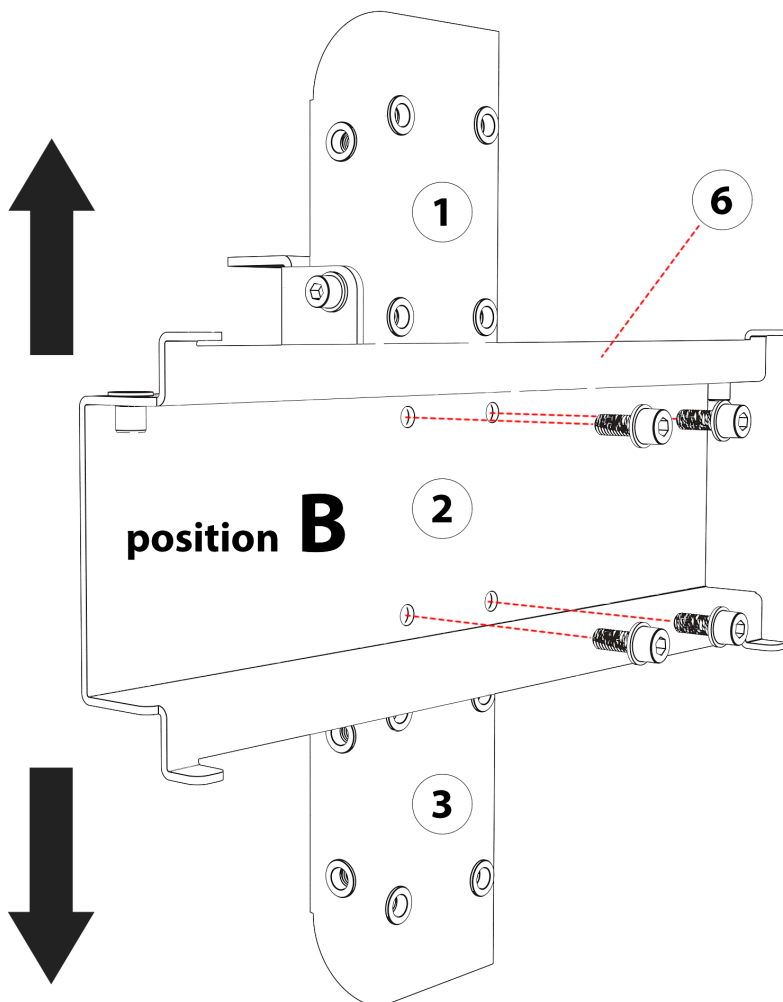


position A

For each position you get the following height from the center of the vesa to the floor:
 Please note: The total height = Position A + Position B

- ① 1030mm (40.5inch)
- ② 1090mm (42.9inch)
- ③ 1150mm (45.3inch)
- ④ 1210mm (47.6inch)
- ⑤ 1270mm (50inch)

- Install VESA Mid support (6) to VESA Back support (8)
 Use 4 screws M8 x 20mm with the 6mm HEX Key.



position B

For each position you get the following height from the center of the vesa to the floor:
 Please note: The total height = Position A + Position B

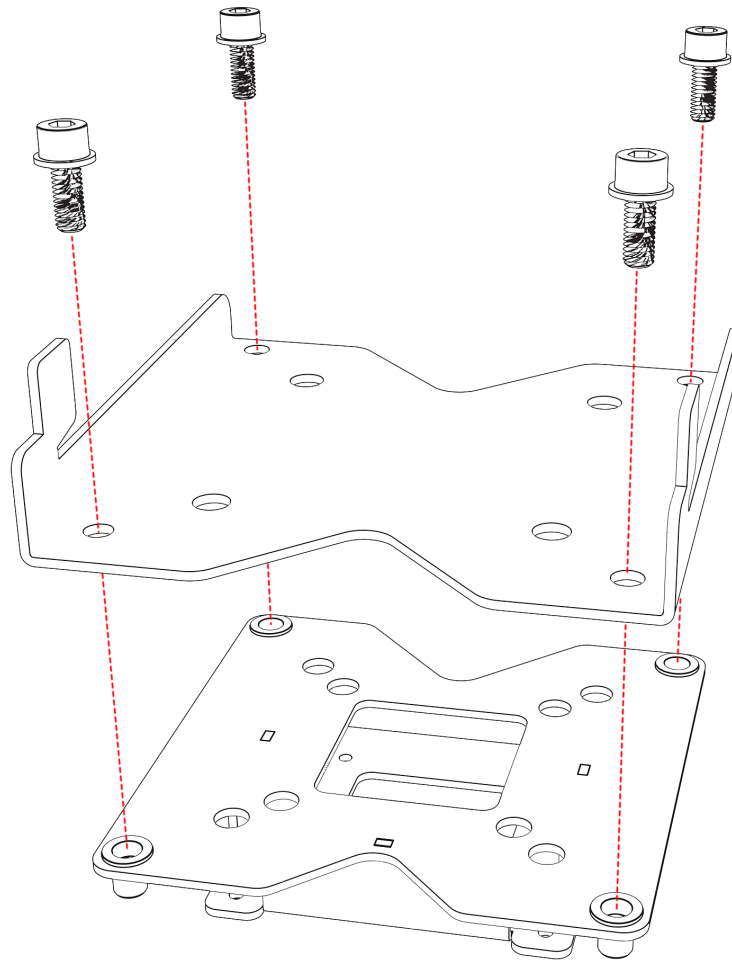
- ① +120mm (+4.7inch)
- ② 0mm/inch
- ③ -120mm (-4.7inch)

Example1: Position A2 + Position B2 = 1090+0 = 1090mm
 Example2: Position A5 + Position B3 = 1270+ (-120) = 1150mm

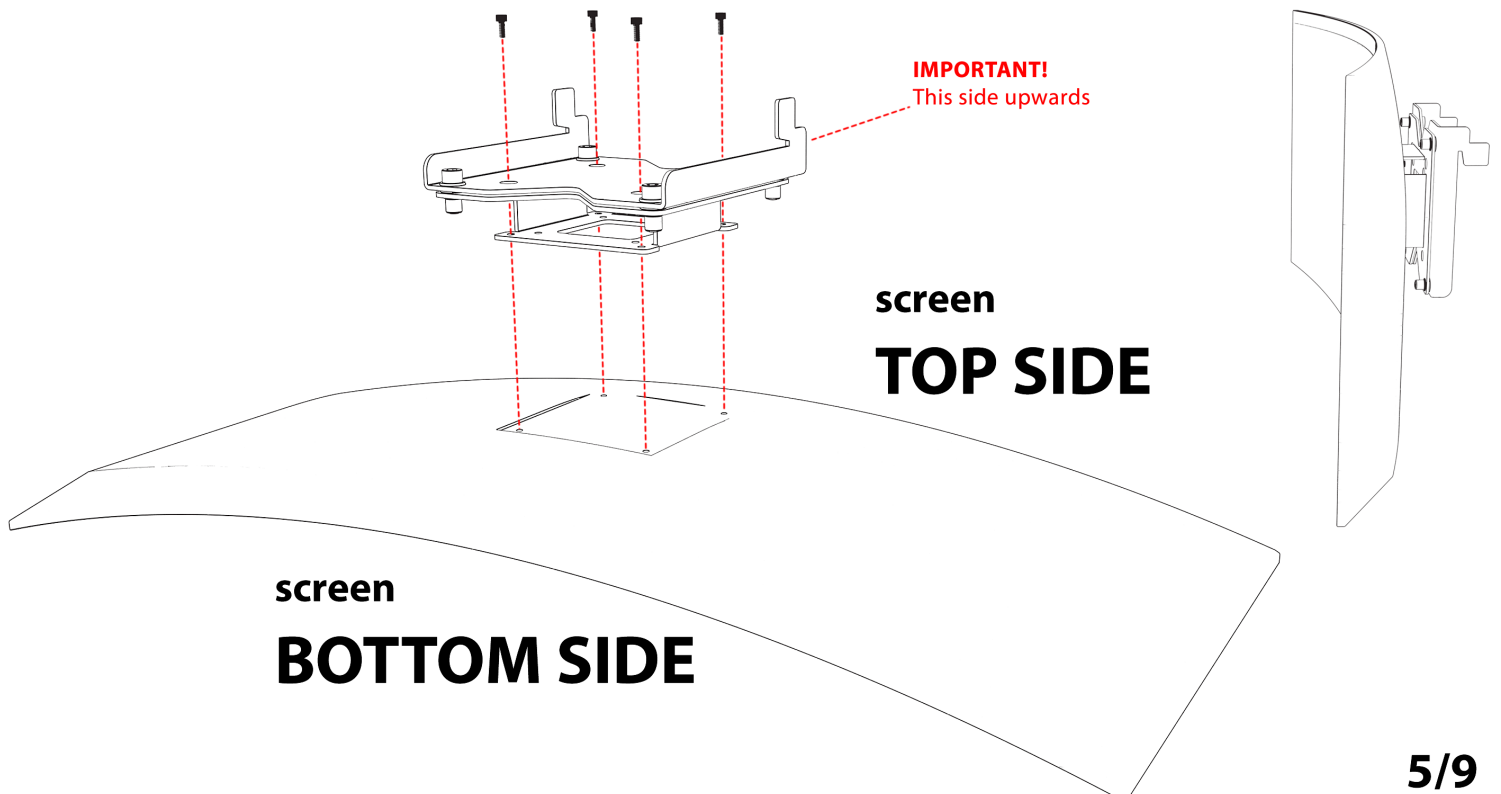
7

Prepare the right adaptor support for your screen.

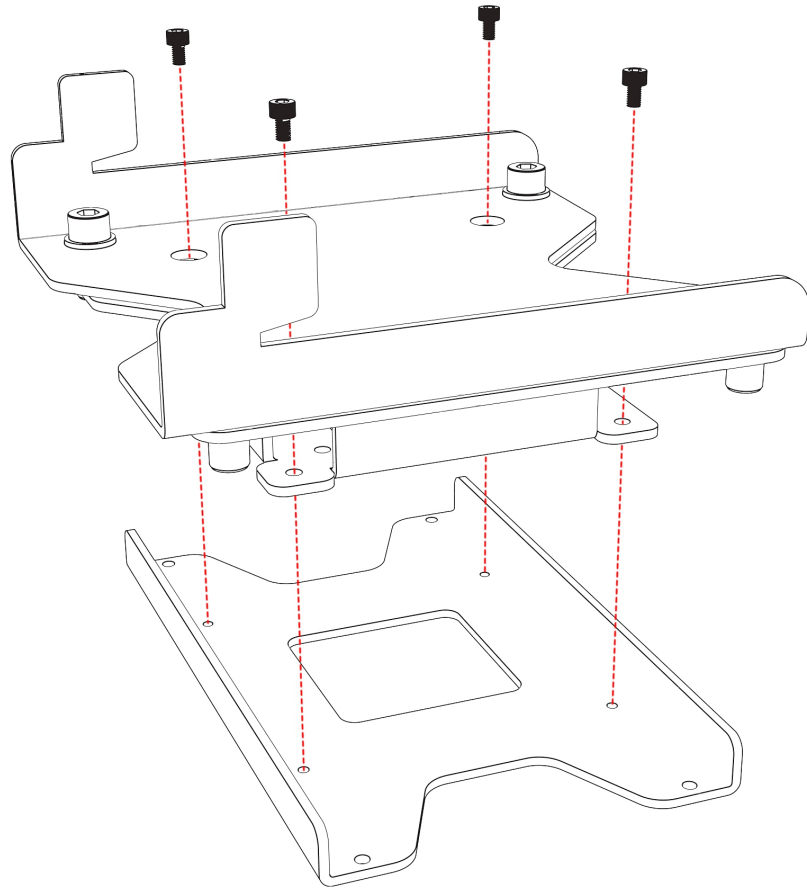
7.1A VESA 100x100 Support. Install Vesa Front Support (7) to VESA 100x100 support (11)
Use 4xM8 screws and 6mm HEX key



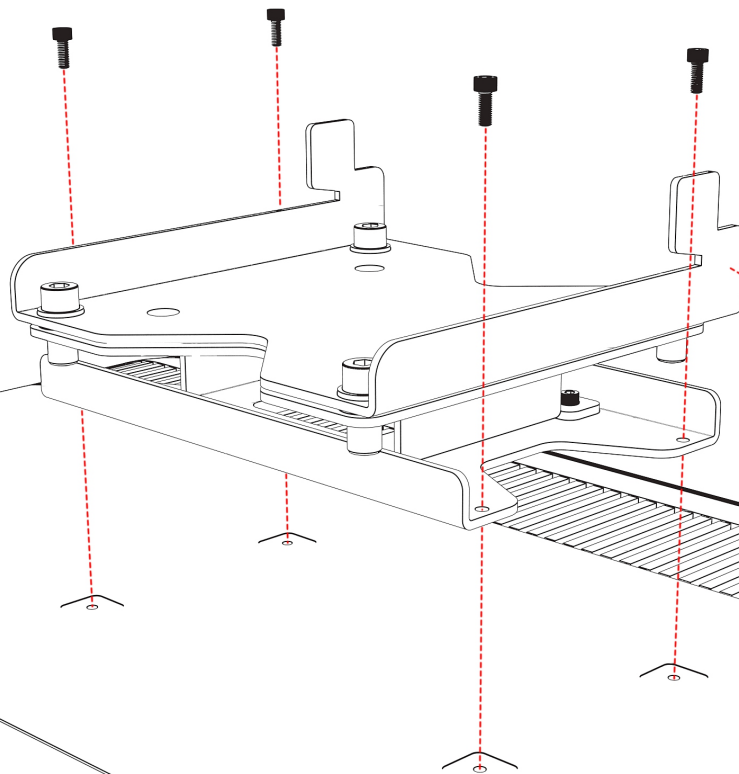
7.1B Install VESA 100x100 Support (11 + 7) on your screen. Use 4xM4 screws and 3mm HEX key



7.2A VESA 200x100 Support. Install Vesa 100x100 assembly (7+11) to VESA 200x100 support (13)
Use 4xM4x6mm screws and 3mm HEX key



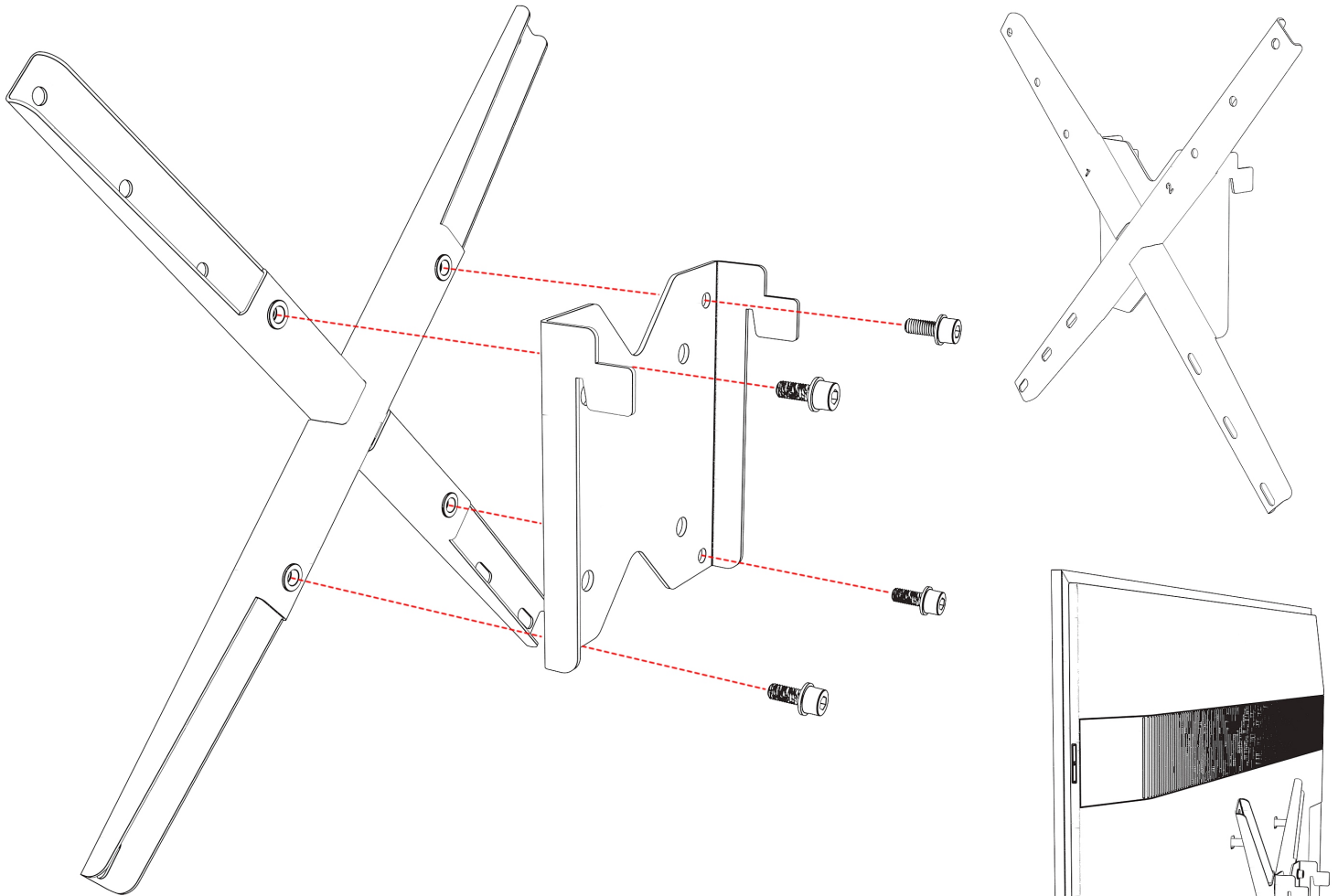
7.2B Install VESA 200x100 Support (11+7+13) on your screen. Use 4xM4 screws and 3mm HEX key



IMPORTANT!
This side upwards

screen
TOP SIDE

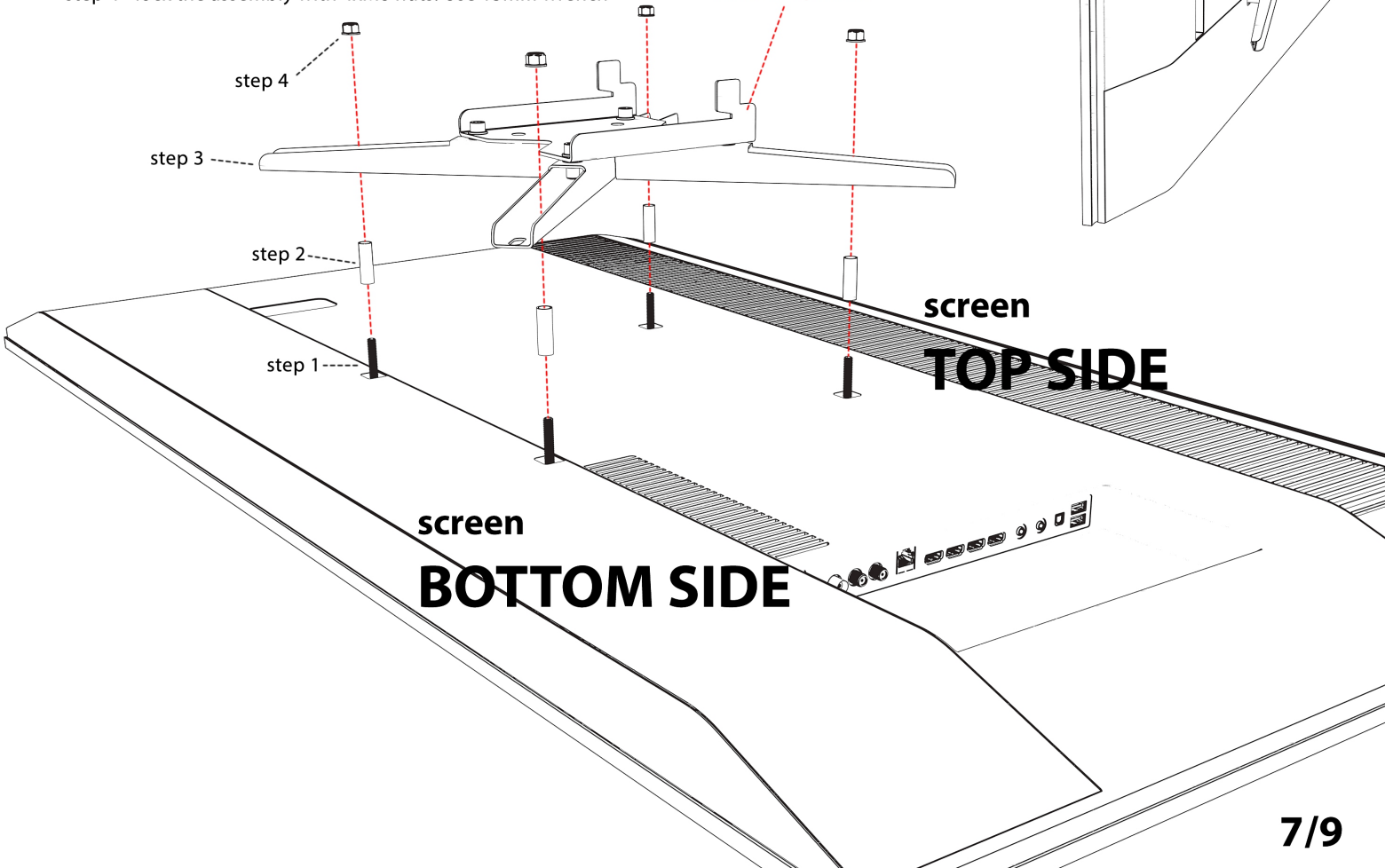
screen
BOTTOM SIDE



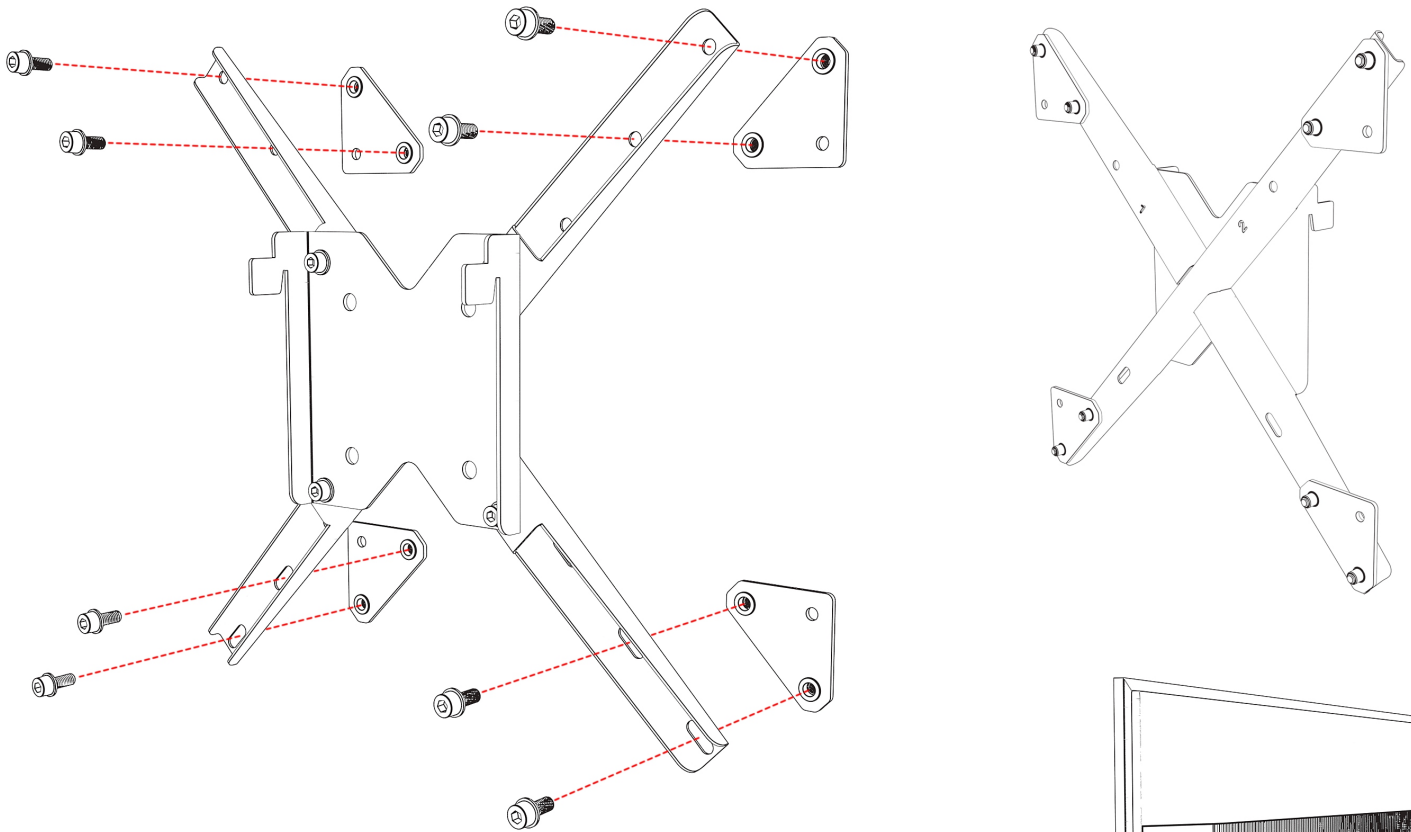
7.3B Install VESA 200x200, 300x300, 400x400 Support (7+10) on your screen.

- step 1 - install 4xM8 threaded rods on your screen/tv. Tight by 4mm hex key
- step 2 - put 12mm bushing on each threaded rod
- step 3 - install vesa support (7 + 10)
- step 4 - lock the assembly with 4xM8 nuts. Use 13mm wrench

IMPORTANT!
This side upwards



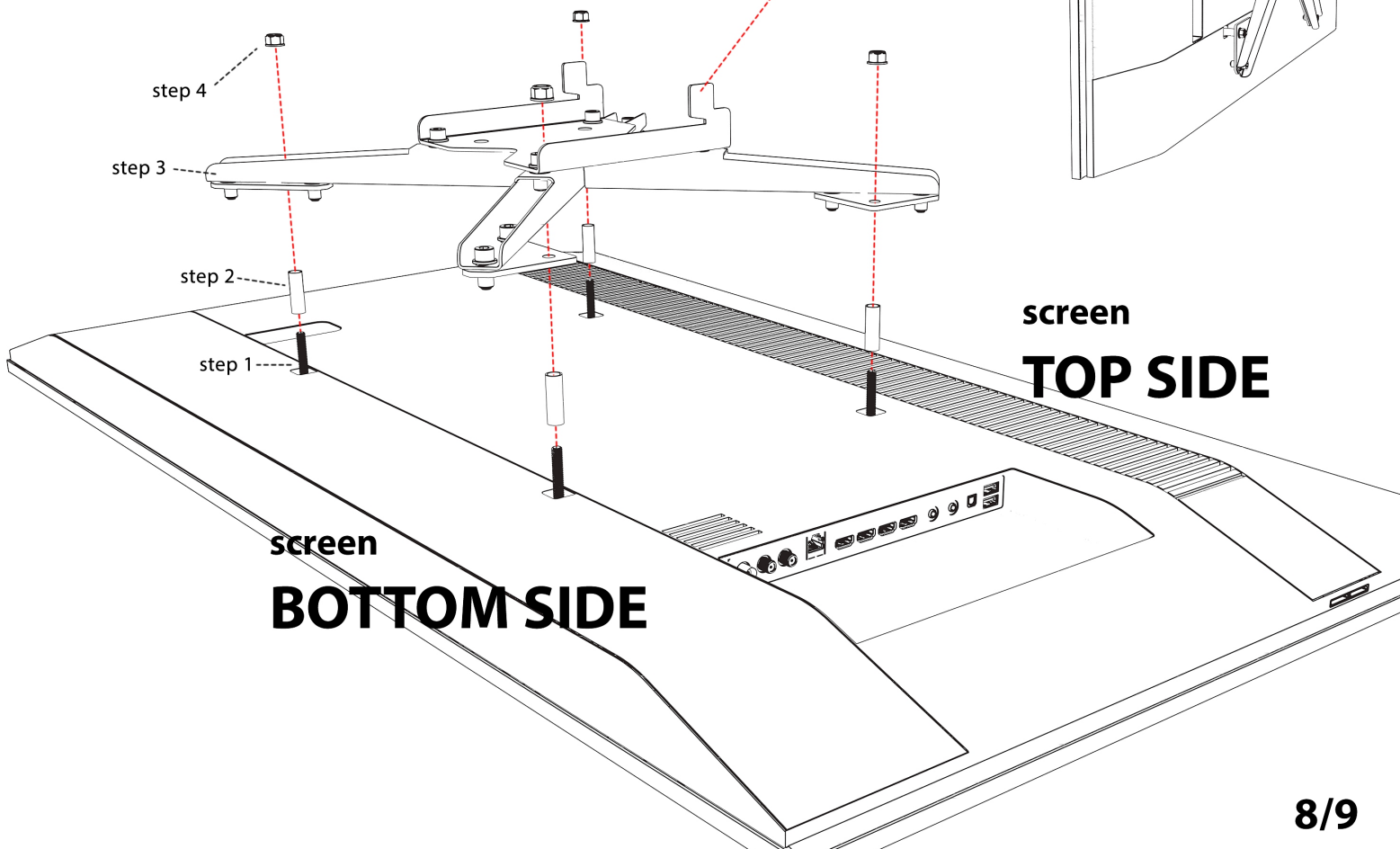
7.4A VESA 400x300, 300x200. Install VESA all four 400x300, 300x200 adapter (12) to VESA 200x200, 300x300, 400x400 support (7+10). Use 8xM8 screws and 6mm HEX key



7.4B Install VESA 300x200, 400x300 Support (7+10+12) on your screen.

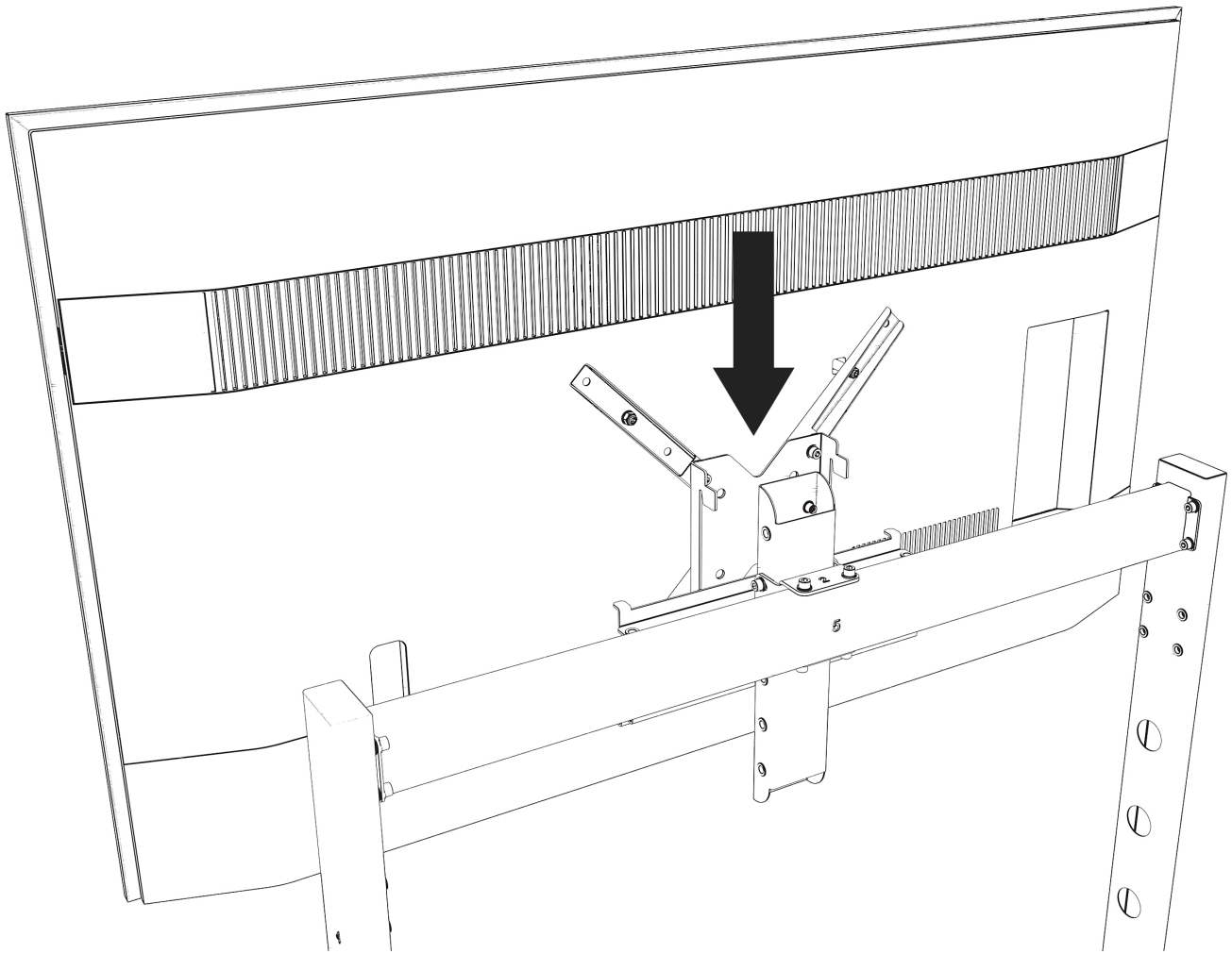
- step 1 - install 4xM8 threaded rods on your screen/tv. Tight by 4mm hex key
- step 2 - put 12mm bushing on each threaded rod
- step 3 - install vesa support (7 + 10 + 12)
- step 4 - lock the assembly with 4xM8 nuts. Use 13mm wrench

IMPORTANT!
This side upwards



8

Install the screen on SX90 stand



9

Secure the Screen with Vesa mid support (6A) using 2xM8 screws and 6mm Hex key

