

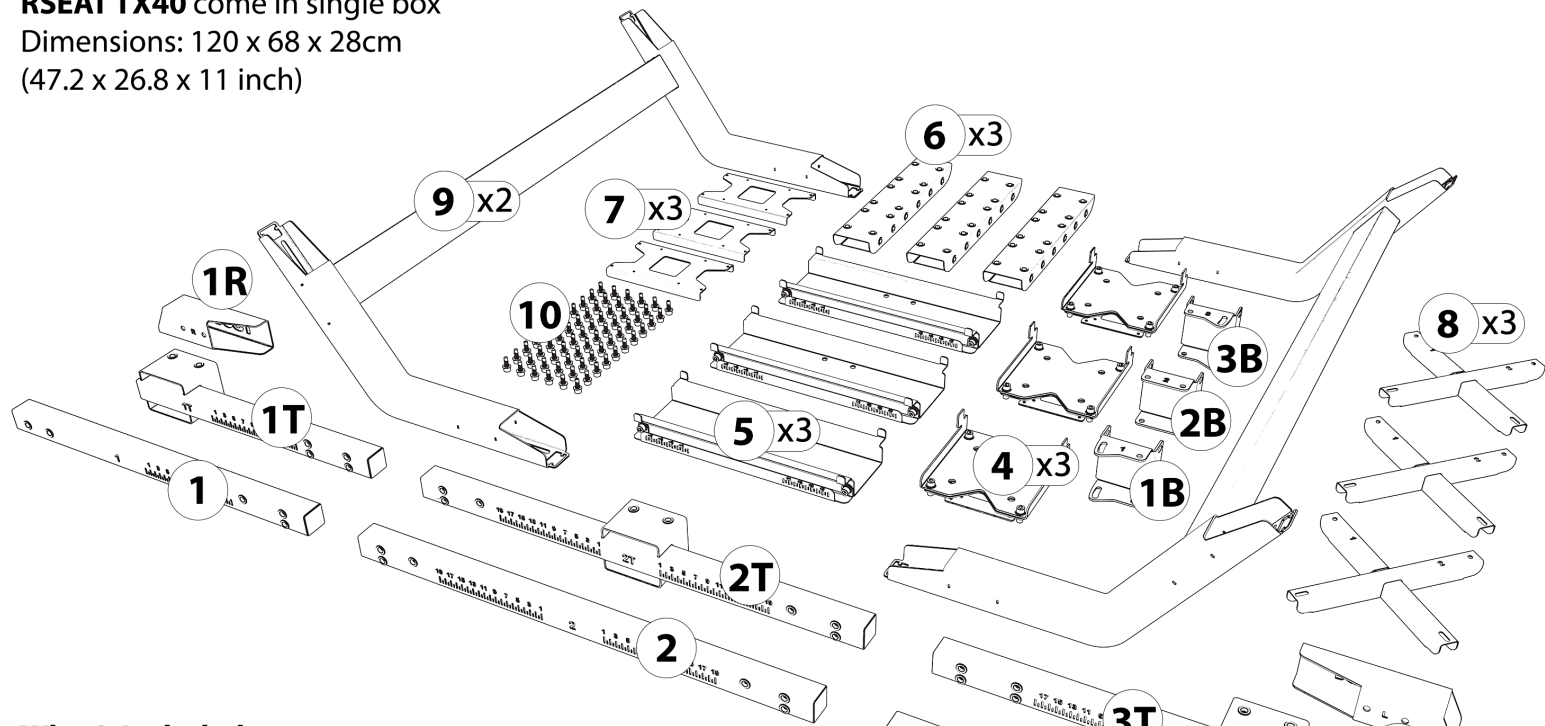
ASSEMBLY INSTRUCTIONS RSEAT TX40 TRIPLE STAND

Thank you for choosing RSEAT. This instruction is developed to assist you in assembling of RSEAT TX40.

RSEAT TX40 come in single box

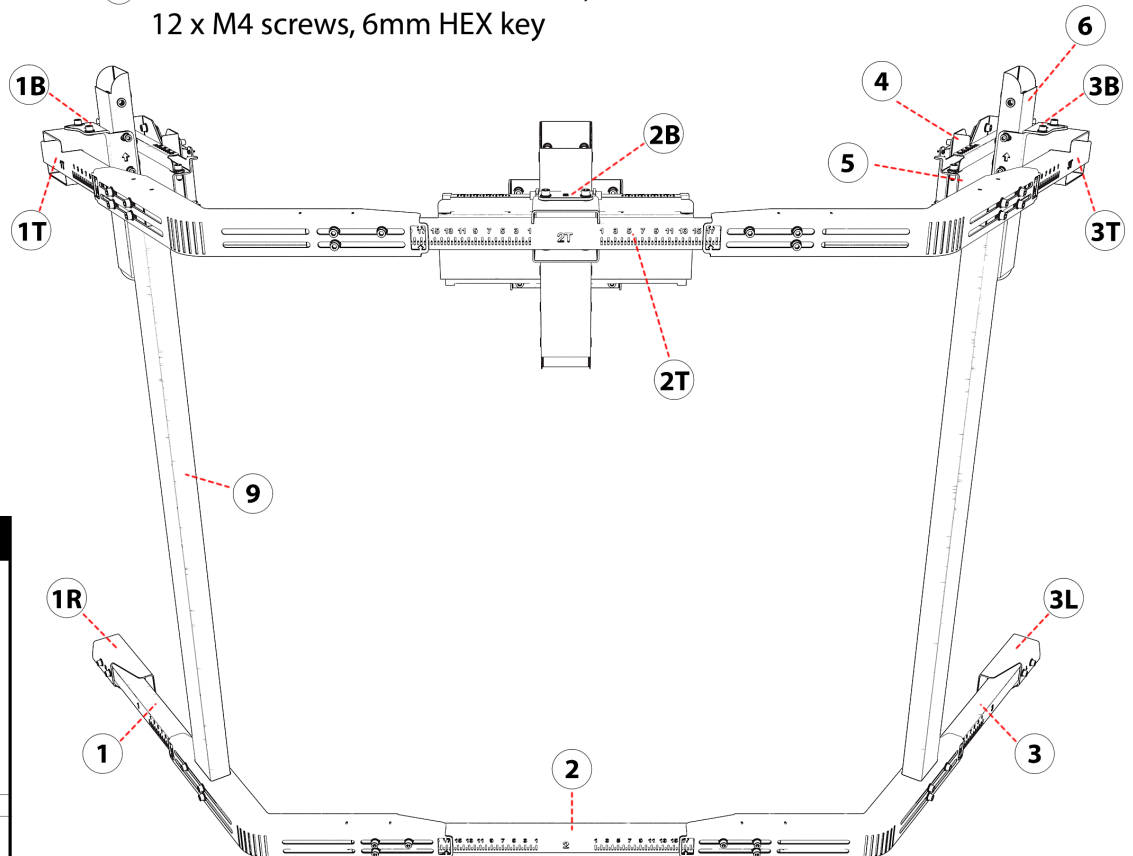
Dimensions: 120 x 68 x 28cm

(47.2 x 26.8 x 11 inch)



What's Included

- ① Bottom right arm
- ①T Top right arm
- ①R Right Leg
- ①B VESA Bracket 1
- ② Bottom connection arm
- ②T Top connection arm
- ②B VESA Bracket 2
- ③ Bottom left arm
- ③T Top left arm
- ③L Left Leg
- ③B VESA Bracket 3
- ④ 3 x VESA Front support
- ⑤ 3 x VESA Mid Support
- ⑥ 3 x VESA Back Support
- ⑦ 3 x VESA 200x100 support
- ⑧ 3 x VESA 200x200 support
- ⑨ 2 x Main Support
- ⑩ Tools and screws. 66 x M8 screws, 12 x M4 screws, 6mm HEX key



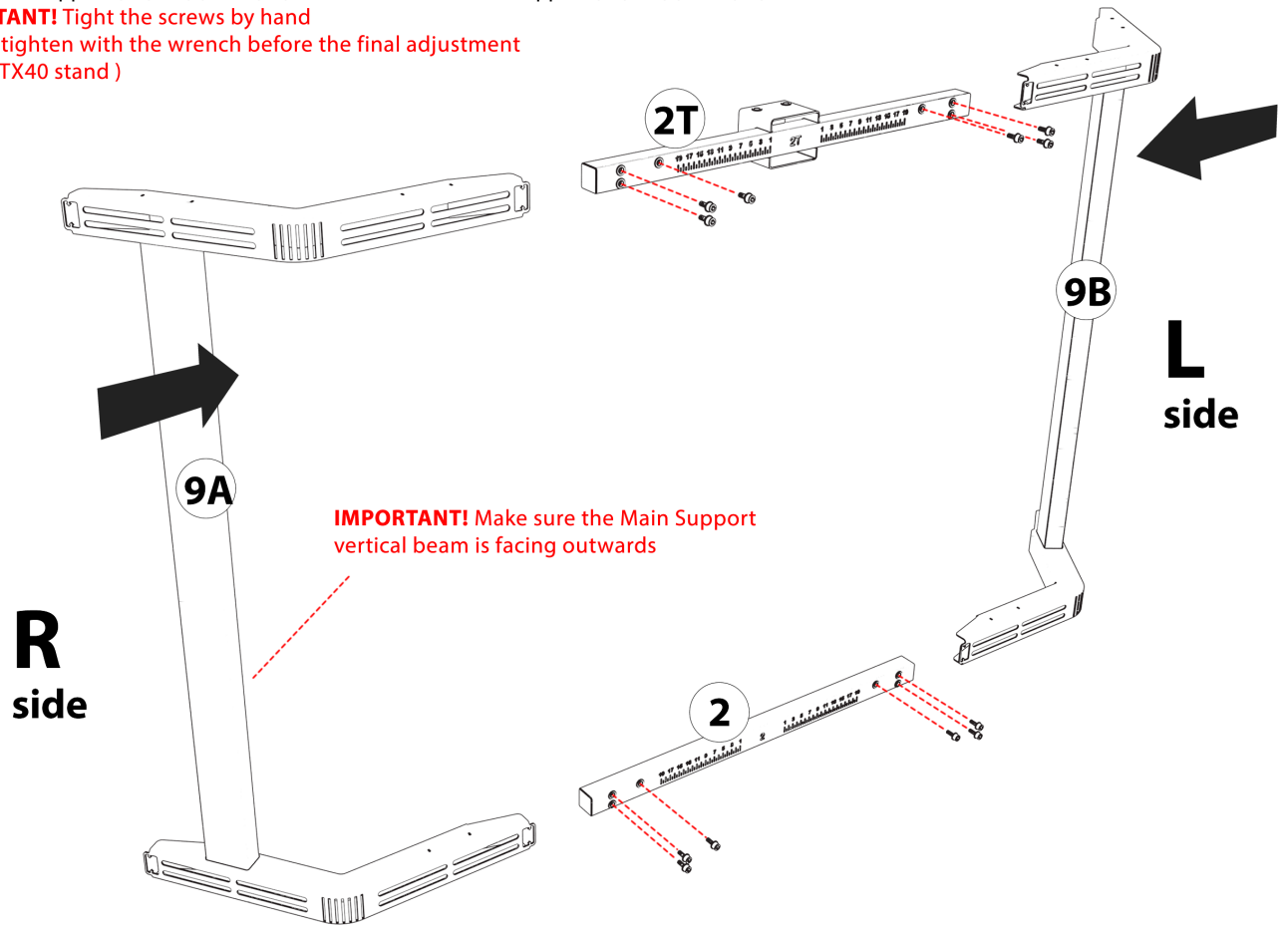
WARNINGS

Before you begin assembling this tv/monitor stand, please read all installation instructions and warnings thoroughly.

FAILURE TO COMPLY WITH OR OBSERVE ALL ASSEMBLY, SAFETY AND OPERATION INSTRUCTIONS AND WARNINGS REGARDING THE USE OF THIS PRODUCT MAY RESULT IN SERIOUS BODILY INJURY.

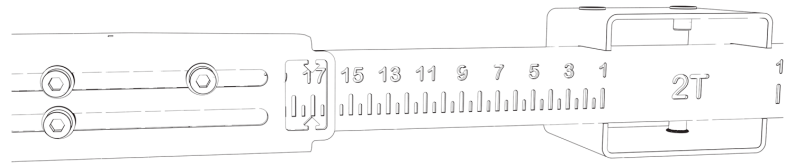
This stand complies with the prescribed safety regulations. Inappropriate use may cause damage to persons and stand.

- 1 Remove all the transport packaging including carton protection and Stretch wrap film.
- 2 Install Main support (9A) to (2) and (2T) 6xM8 screws and Main support (9B) to (2) and (2T) 6xM8 screws
IMPORTANT! Tight the screws by hand (do not tighten with the wrench before the final adjustment of your TX40 stand)

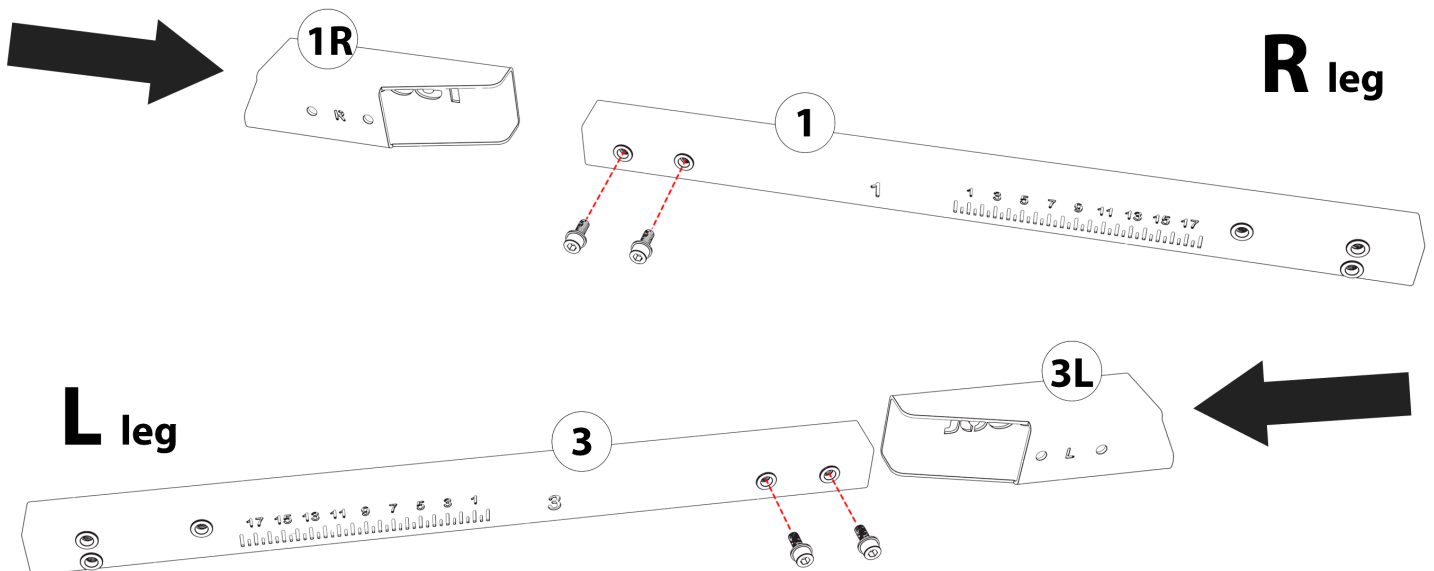


IMPORTANT!
 Make sure top/bottom, left/right marks are in an equal position on the mirror(opposite) side (marks in centimeters)

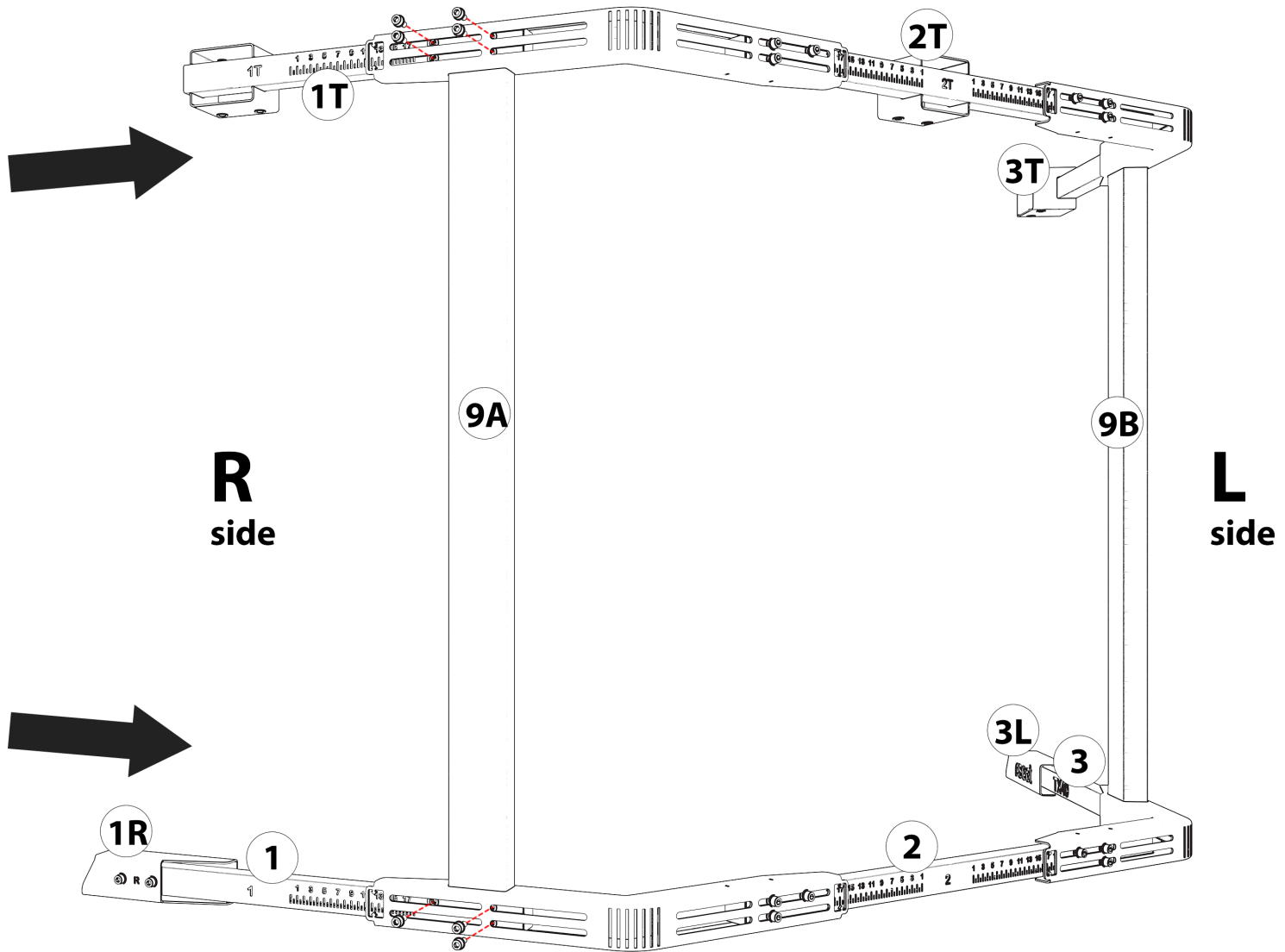
- 27 inch monitors install on mark min-2
- 29 inch monitors install on mark 5-7
- 32 inch monitors install on mark 12-14
- 34 inch monitors install on mark 16-17
- 38-40 inch monitors install on mark 18-max



- 3 TX40 Left and right legs assembly Install with 4 screws M8 x 20mm (2 per side)
 Tight the screws with the 6mm HEX Key



- 4** Install Right leg (1+1R) 3xM8 screws and top right support (2T) 4xM8 screws with Main support (9A)
 Install Left leg (3+3L) 3xM8 screws and top left support (3T) 4xM8 screws with Main support (9B)
IMPORTANT! Tight the screws by hand (do not tighten with the wrench before the final adjustment of your TX40 stand)

**IMPORTANT!**

Make sure top/bottom, left/right marks are in an equal position on the mirror(opposite) side

Leg positions (1) / (3) are not related to monitor adjustment. Make sure they are extended enough for good ground support

27 inch monitors install on mark min-4

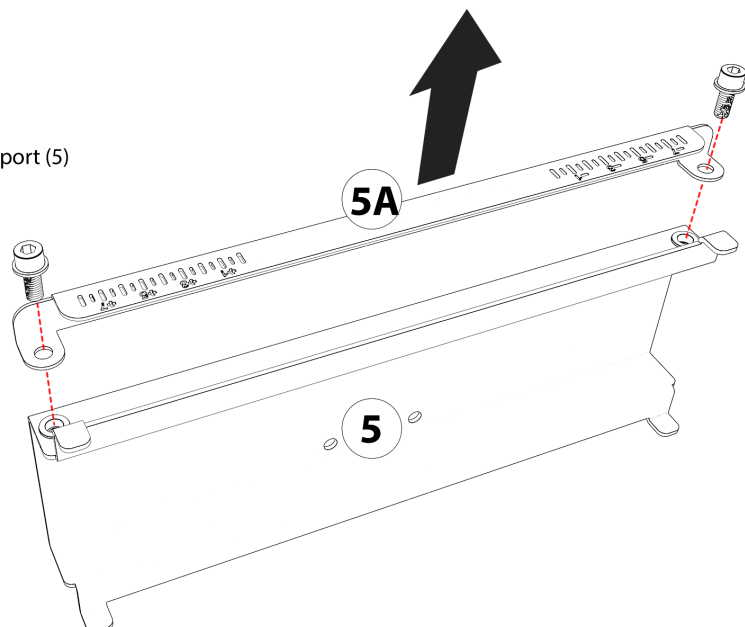
29 inch monitors install on mark 5-8

32 inch monitors install on mark 9-11

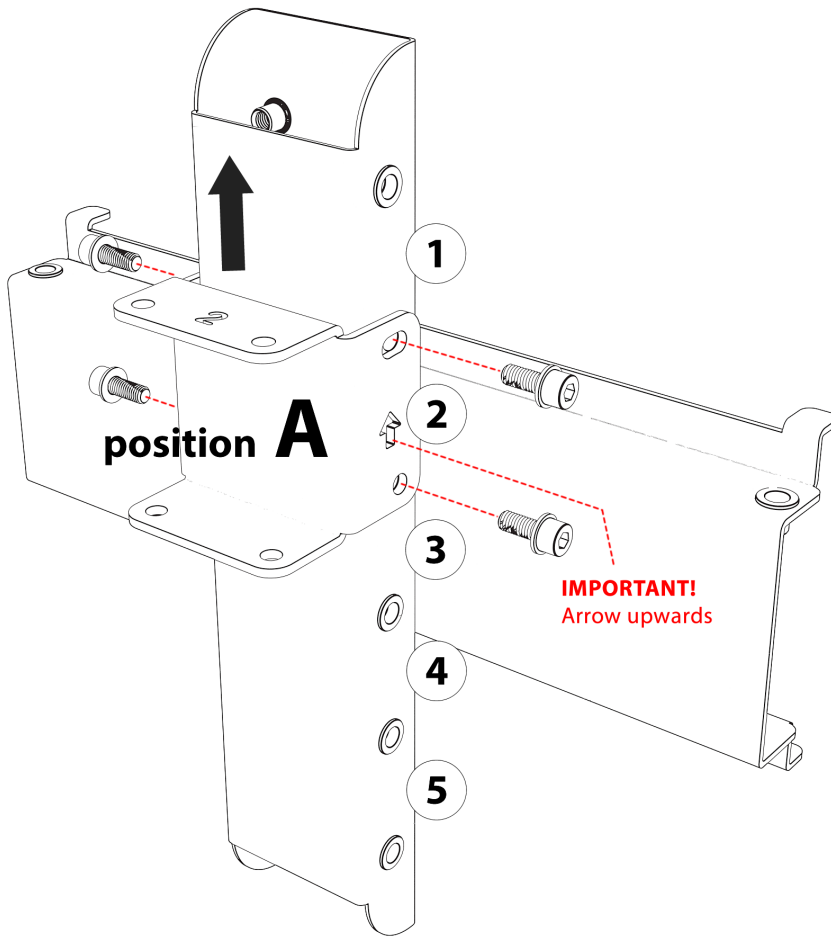
34 inch monitors install on mark 12-14

38-40 inch monitors install on mark 15-max

- 5** VESA Mid support (5)
 Remove the lock bracket (5A) from all tree VESA Mid support (5)
 Use the 6mm HEX Key



- 6** Install VESA Bracket 1(1B), 2(2B), 3(3B) to all three VESA Back support (6)
 Use 4 screws M8 x 20mm (2 per side) with the 6mm HEX Key.
 Select the desired height (from the center of the VESA to the floor) with the instructions below.

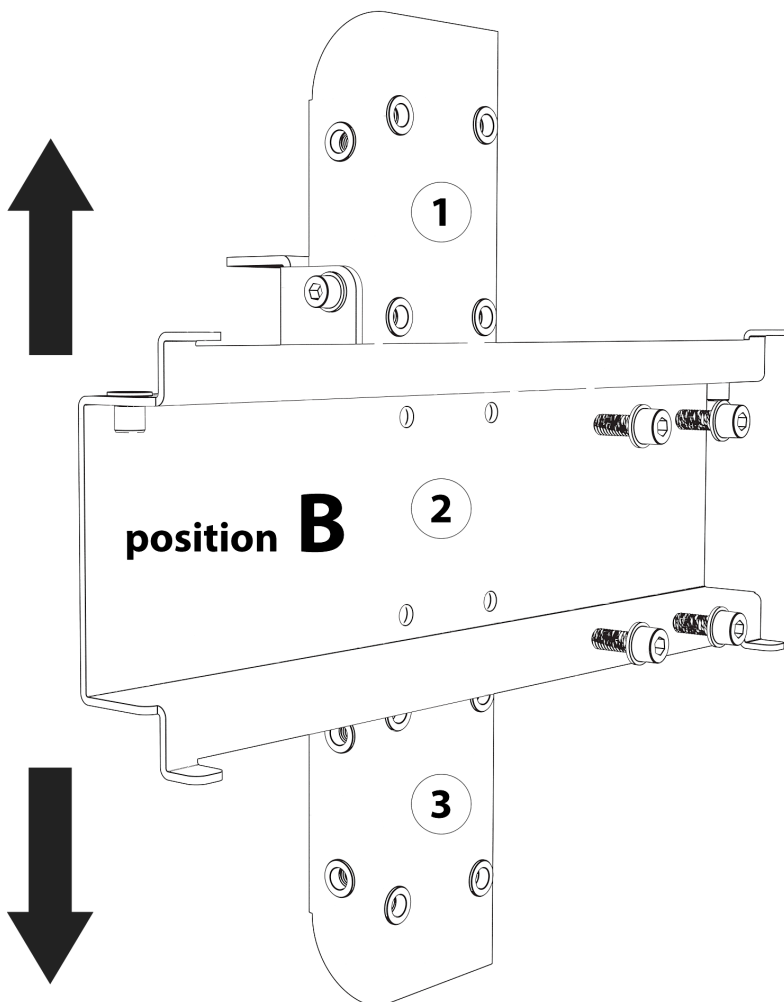


position A

For each position you get the following height from the center of the vesa to the floor:
 Please note: The total height = Position A + Position B

- ① 1030mm (40.5inch)
- ② 1090mm (42.9inch)
- ③ 1150mm (45.3inch)
- ④ 1210mm (47.6inch)
- ⑤ 1270mm (50inch)

Install all three VESA Mid support (5) to each VESA Back support (6)
 Use 4 screws M8 x 20mm with the 6mm HEX Key.



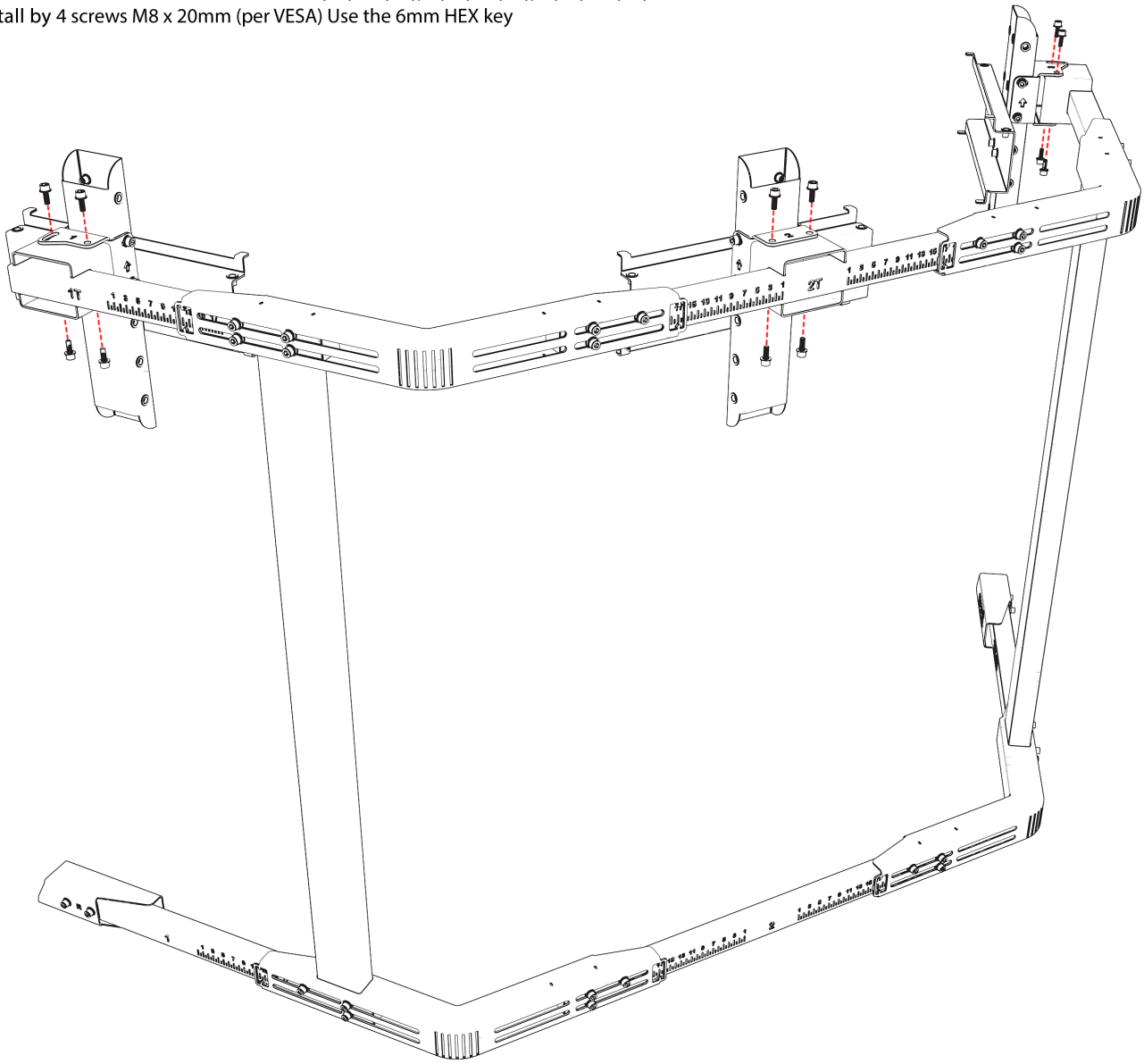
position B

For each position you get the following height from the center of the vesa to the floor:
 Please note: The total height = Position A + Position B

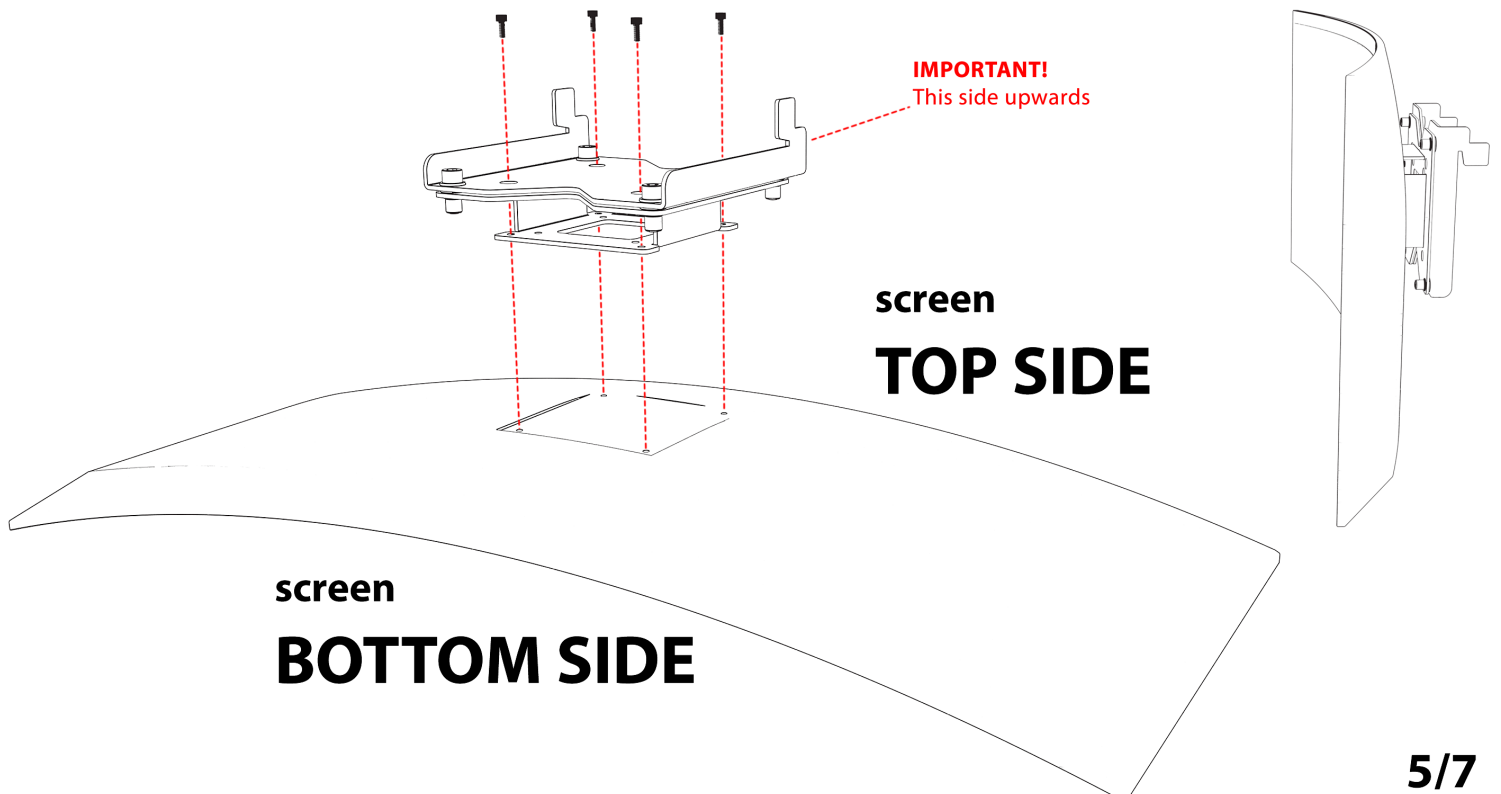
- ① +120mm (+4.7inch)
- ② 0mm/inch
- ③ -120mm (-4.7inch)

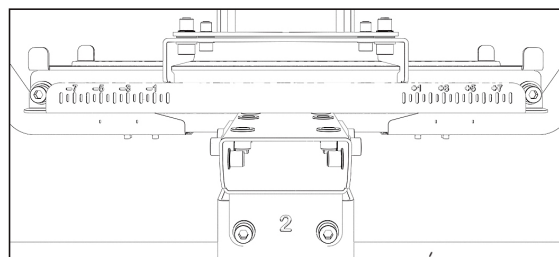
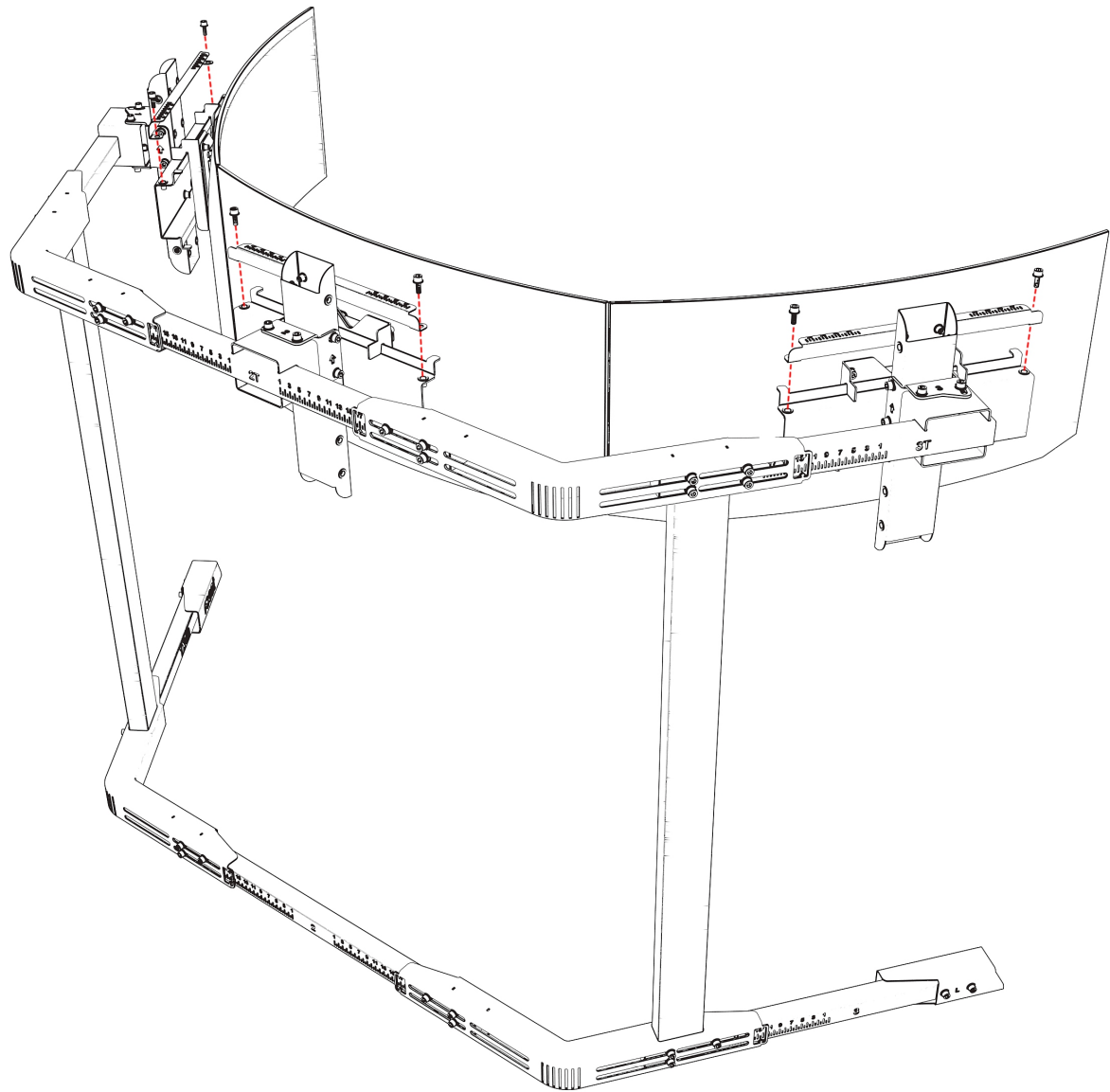
Example1: Position A2 + Position B2 = 1090+0 = 1090mm
 Example2: Position A5 + Position B3 = 1270+ (-120) = 1150mm

7 Install VESA mount with VESA Bracket 1(1B) to (1T), 2(2B)to (2T), 3(3B) to (3T)
Install by 4 screws M8 x 20mm (per VESA) Use the 6mm HEX key

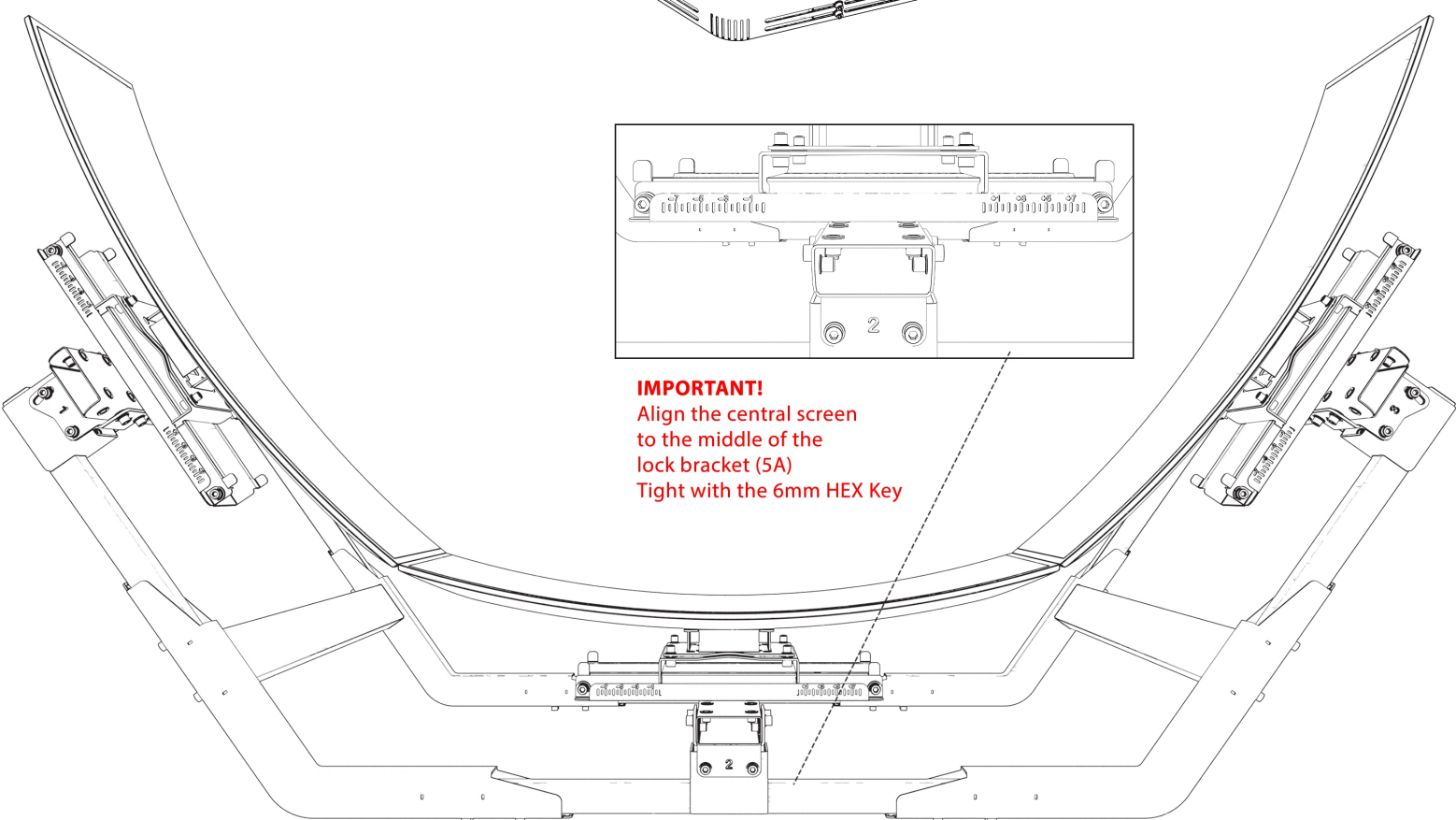


8 Install VESA front support (4) to each of your screens. Make sure you use the required VESA adapter plate
For VESA 100x100 use only VESA front support (4), for 200x100, install (7) on (4) using 4xM4 screws, for 200x200
install (8) on VESA front support (4) backplate, using 4xM8 screws and 6mm HEX key





IMPORTANT!
Align the central screen
to the middle of the
lock bracket (5A)
Tight with the 6mm HEX Key



10 RSEAT TX40 SETUP AND ADJUSTMENT

- To tilt the screen (each independent) adjust connection between (B1), (B2), (B3) and VESA Back support (6)
- Side screens position- slide Top Arms (1T), (3T) in or out. For fine adjustment slide (4) on (5)
- Slide (9A) and (9B) in and out to find the perfect angle and position for your screen. The Optimal position is when the center of all three screens are ~ equal away from the user's view.
- Angle between screens is adjustable in 40°-62° range.
- Height Adjustment range 480mm (18.9 inch) (± 240 mm (9.45 inch) up/down)
- SUPPORT triple 27 – 40 inch TV/MONITORS/ULTRA WIDE MONITORS

IMPORTANT!

When you setup your screens in place with the right angle that works best for you, tight all screws with the 6mm HEX key.

Make sure top/bottom, left/right marks are in an equal position on the mirror (opposite) side

