

RSEAT TX90

ASSEMBLY INSTRUCTIONS

Language:

EN

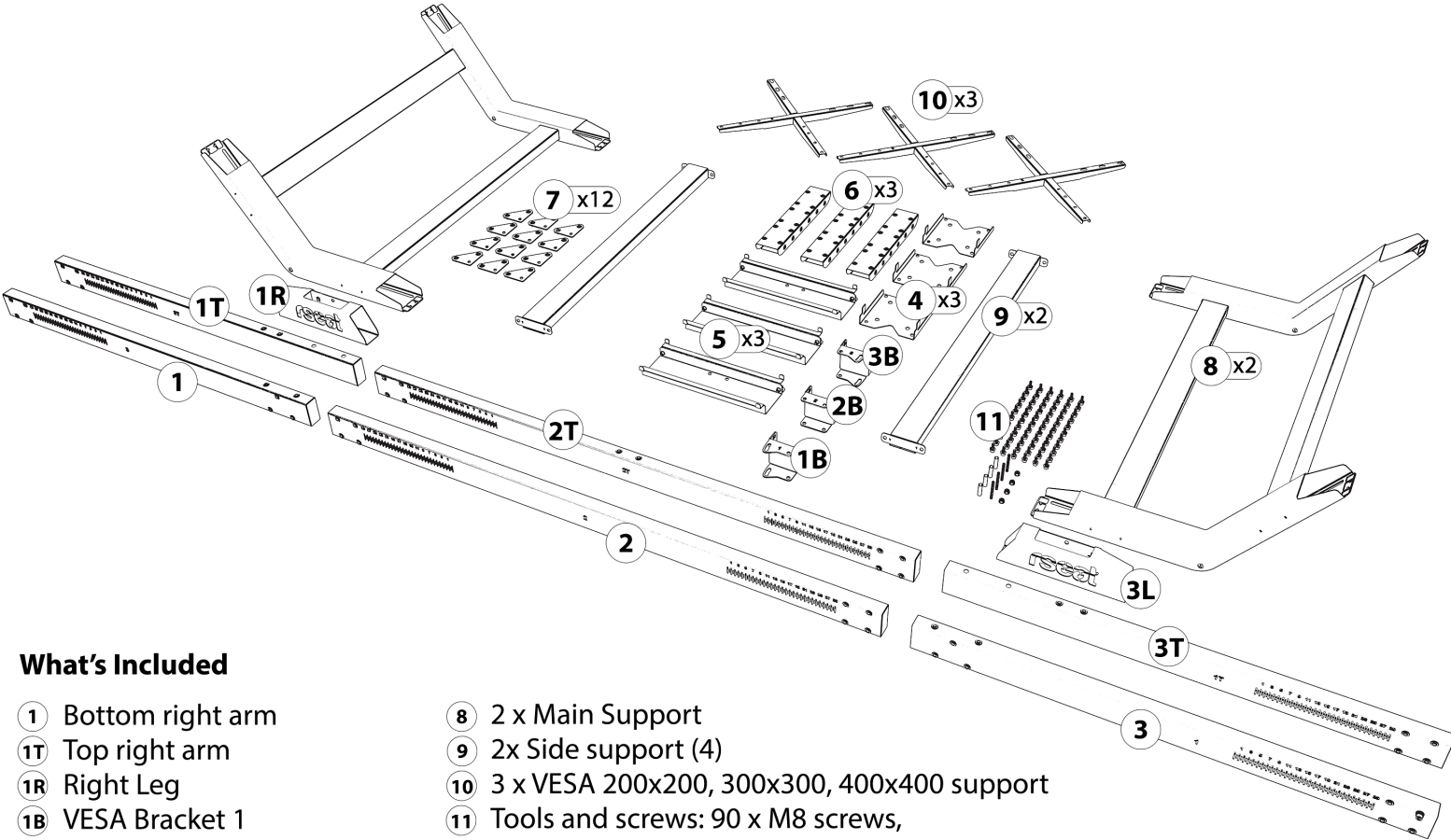
ASSEMBLY INSTRUCTIONS RSEAT TX90 TRIPLE TV STAND

Thank you for choosing RSEAT. This instruction is developed to assist you in assembling of RSEAT TX90.

RSEAT TX90 come in single box

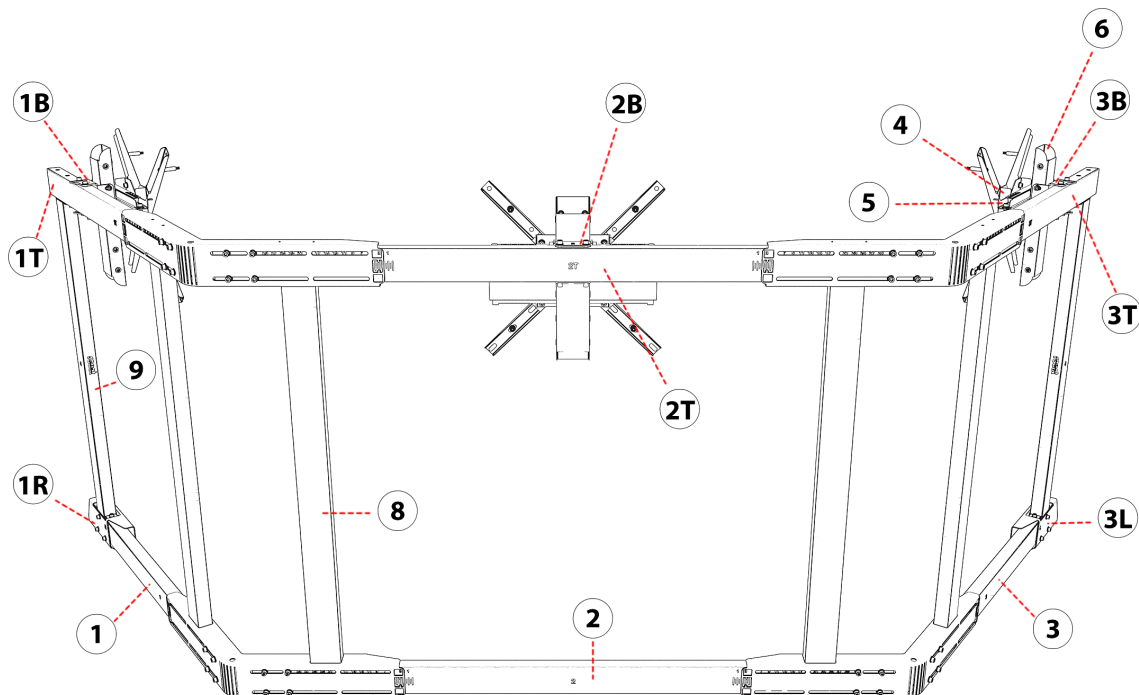
Dimensions: 149 x 85 x 33cm

(58.6 x 33.5 x 13 inch)



What's Included

- ① Bottom right arm
- ①T Top right arm
- ①R Right Leg
- ①B VESA Bracket 1
- ② Bottom connection arm
- ②T Top connection arm
- ②B VESA Bracket 2
- ③ Bottom left arm
- ③T Top left arm
- ③L Left Leg
- ③B VESA Bracket 3
- ④ 3 x VESA Front support
- ⑤ 3 x VESA Mid Support
- ⑥ 3 x VESA Back Support
- ⑦ 12 x VESA 400x300, 300x200 Support
- ⑧ 2 x Main Support
- ⑨ 2x Side support (4)
- ⑩ 3 x VESA 200x200, 300x300, 400x400 support
- ⑪ Tools and screws: 90 x M8 screws, 24 x M4 screws, 3,4,5,6mm HEX key, 13mm wrench



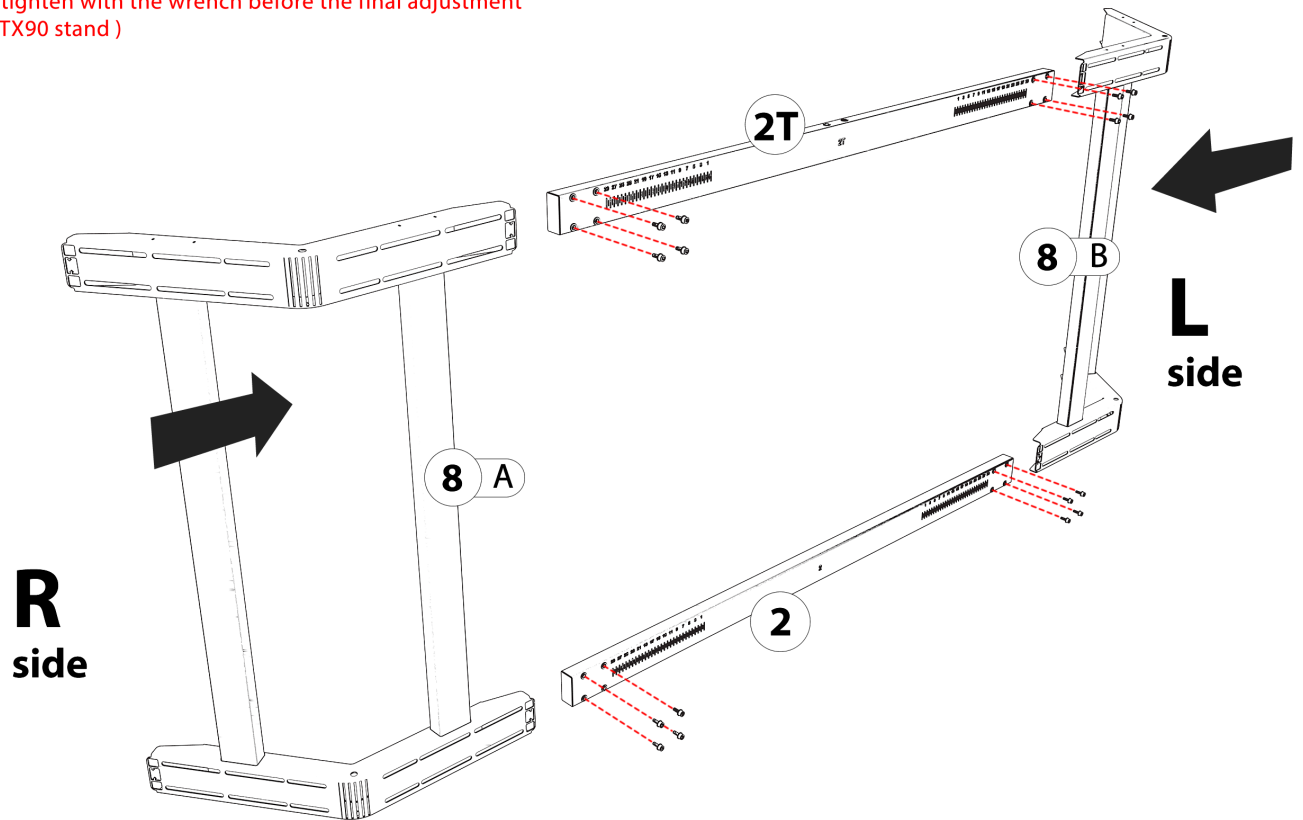
WARNINGS

Before you begin assembling this tv stand, please read all installation instructions and warnings thoroughly.

FAILURE TO COMPLY WITH OR OBSERVE ALL ASSEMBLY, SAFETY AND OPERATION INSTRUCTIONS AND WARNINGS REGARDING THE USE OF THIS PRODUCT MAY RESULT IN SERIOUS BODILY INJURY.

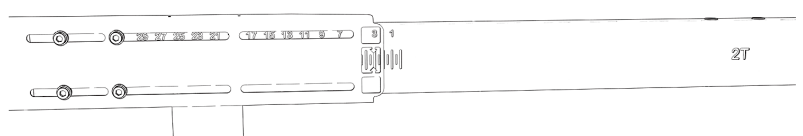
This stand complies with the prescribed safety regulations. Inappropriate use may cause damage to persons and stand.

- 1 Remove all the transport packaging including carton protection and Stretch wrap film.
- 2 Install Main support (8A) to (2) and (2T) 8xM8 screws and Main support (8B) to (2) and (2T) 8xM8 screws
IMPORTANT! Tight the screws by hand
 (do not tighten with the wrench before the final adjustment of your TX90 stand)

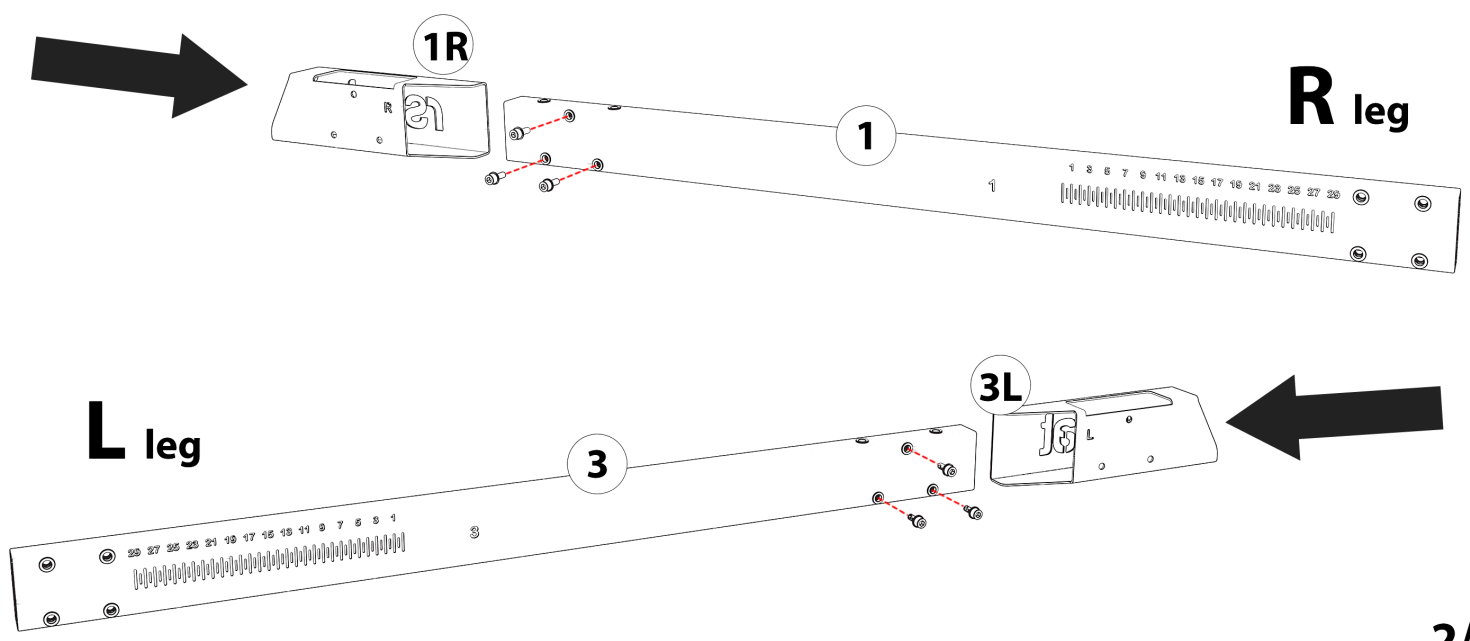


IMPORTANT!
 Make sure top/bottom, left/right marks are in an equal position on the mirror(opposite) side (marks in centimeters)

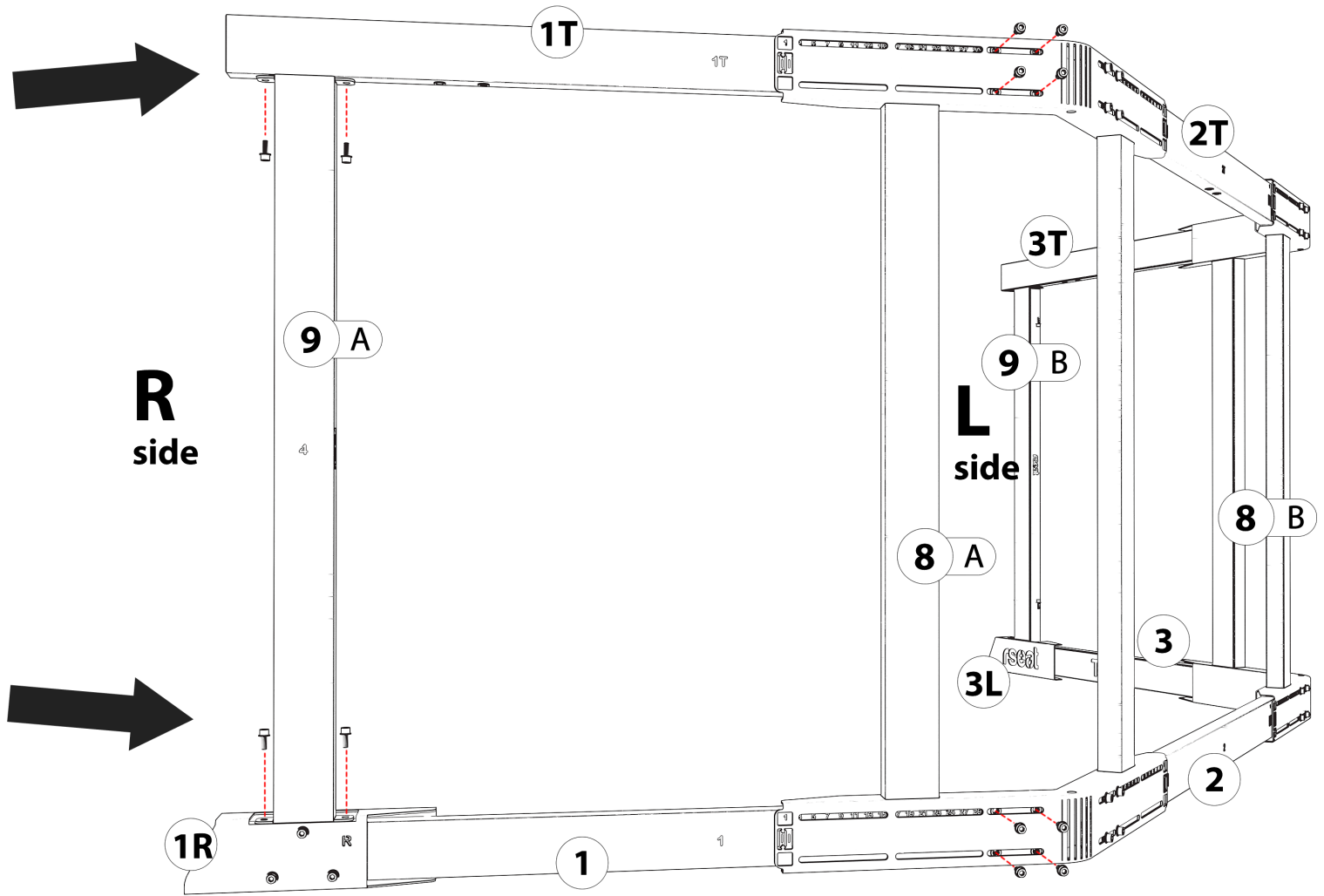
- 65 inch screens install on mark min-4
- 75 inch screens install on mark 14-17
- 85 inch screens install on mark 22-24
- 86-90 screens install on mark 25-max



- 3 TX90 Left and right legs assembly Install with 6 screws M8 x 20mm (3 per side)
 Tight the screws with the 6mm HEX Key



- 4** 4.1 Install Right leg (1+1R) 4xM8 screws and top right support (1T) 4xM8 screws with Main support (8A)
 4.2 Install Left leg (3+3L) 4xM8 screws and top left support (3T) 4xM8 screws with Main support (8B)
 4.3 Connect Right leg (1+1R) and (1T) with Side support (9A) 4xM8 screws
 4.4 Connect Left leg (3+3L) and (3T) with Side support (9B) 4xM8 screws
IMPORTANT! Tight the screws by hand (do not tighten with the wrench before the final adjustment of your T960 stand)

**IMPORTANT!**

Make sure top/bottom, left/right marks are in an equal position on the mirror(opposite) side

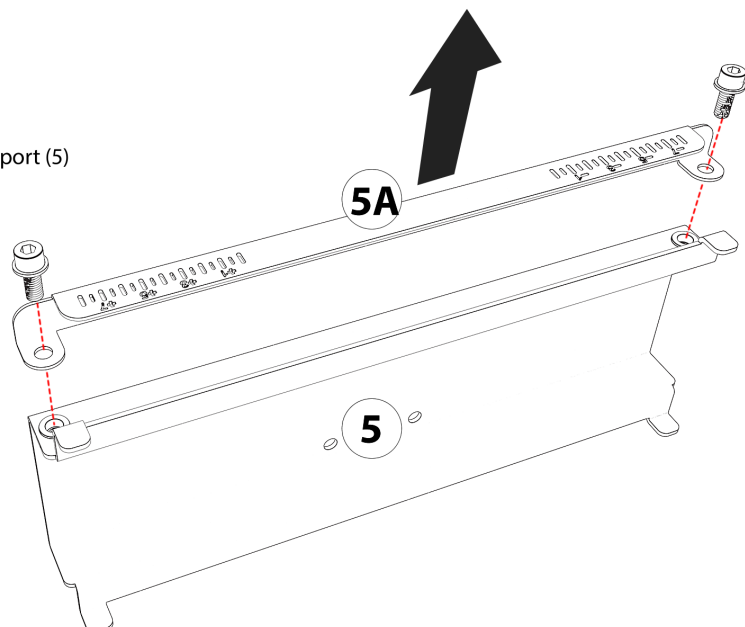
65 inch screens install on mark **min-4**

75 inch screens install on mark **11-17**

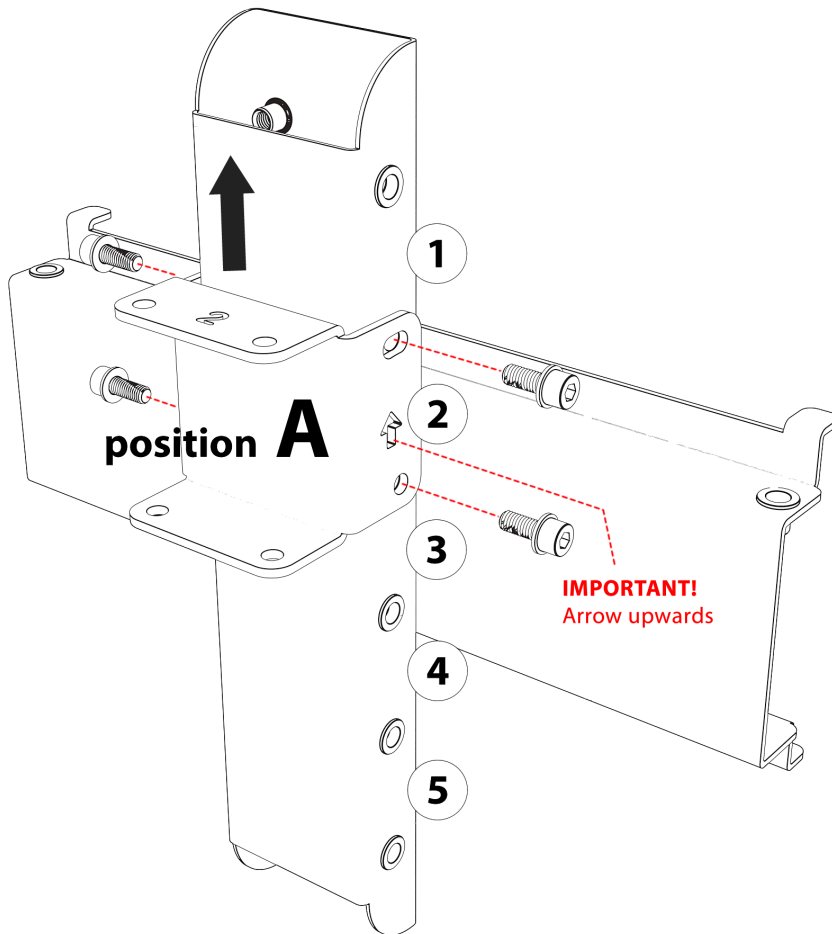
85 inch screens install on mark **21-24**

86-90 inch screens install on mark **24-max**

- 5** VESA Mid support (5)
 Remove the lock bracket (5A) from all tree VESA Mid support (5)
 Use the 6mm HEX Key



- 5** Install VESA Bracket 1(1B), 2(2B), 3(3B) to all three VESA Back support (6)
 Use 4 screws M8 x 20mm (2 per side) with the 6mm HEX Key.
 Select the desired height (from the center of the VESA to the floor) with the instructions below.

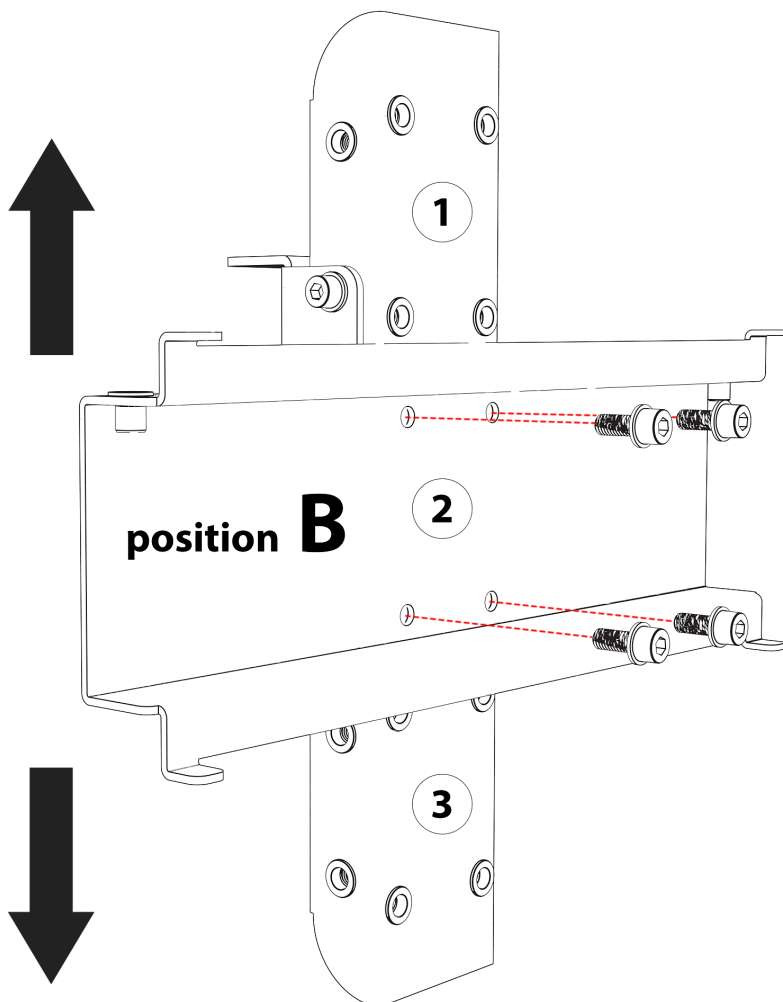


position A

For each position you get the following height from the center of the vesa to the floor:
 Please note: The total height = Position A + Position B

- ① 1030mm (40.5inch)
- ② 1090mm (42.9inch)
- ③ 1150mm (45.3inch)
- ④ 1210mm (47.6inch)
- ⑤ 1270mm (50inch)

Install all three VESA Mid support (5) to each VESA Back support (6)
 Use 4 screws M8 x 20mm with the 6mm HEX Key.



position B

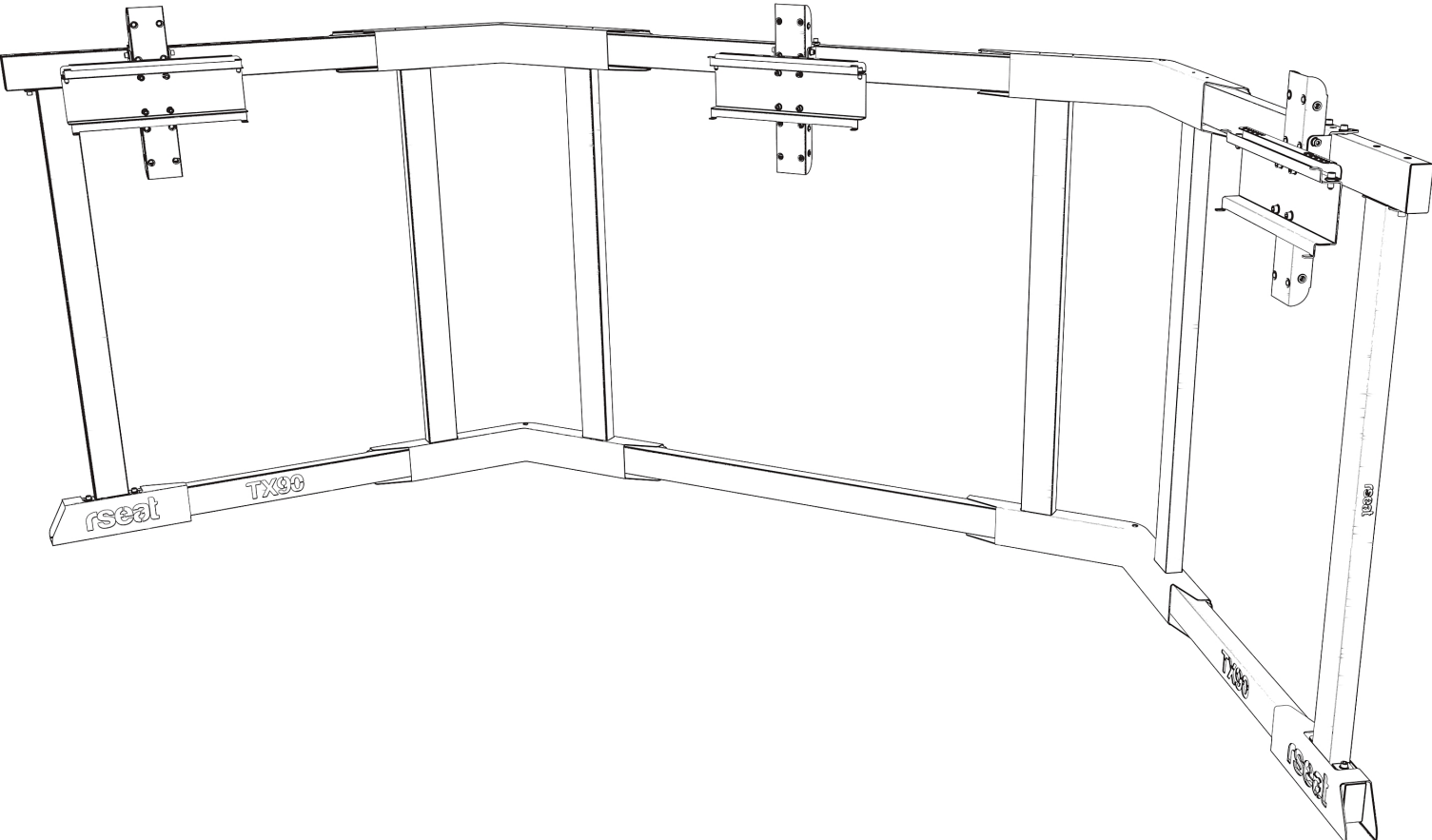
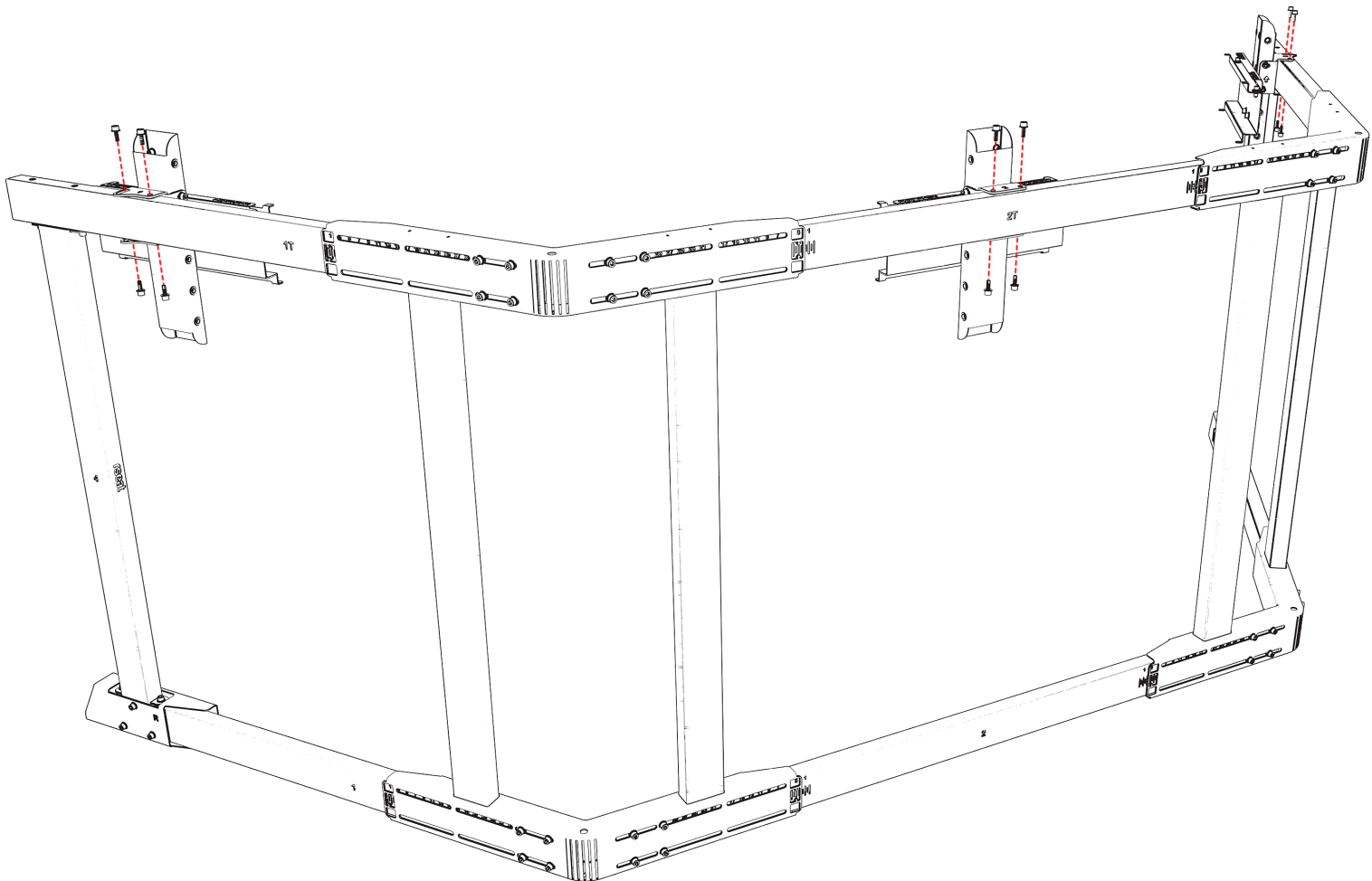
For each position you get the following height from the center of the vesa to the floor:
 Please note: The total height = Position A + Position B

- ① +120mm (+4.7inch)
- ② 0mm/inch
- ③ -120mm (-4.7inch)

Example1: Position A2 + Position B2 = 1090+0 = 1090mm
 Example2: Position A5 + Position B3 = 1270+ (-120) = 1150mm

6 Install VESA mount with VESA Bracket 1(1B) to (1T), 2(2B)to (2T), 3(3B) to (3T)

Install by 4 screws M8 x 20mm (per VESA) Use the 6mm HEX key

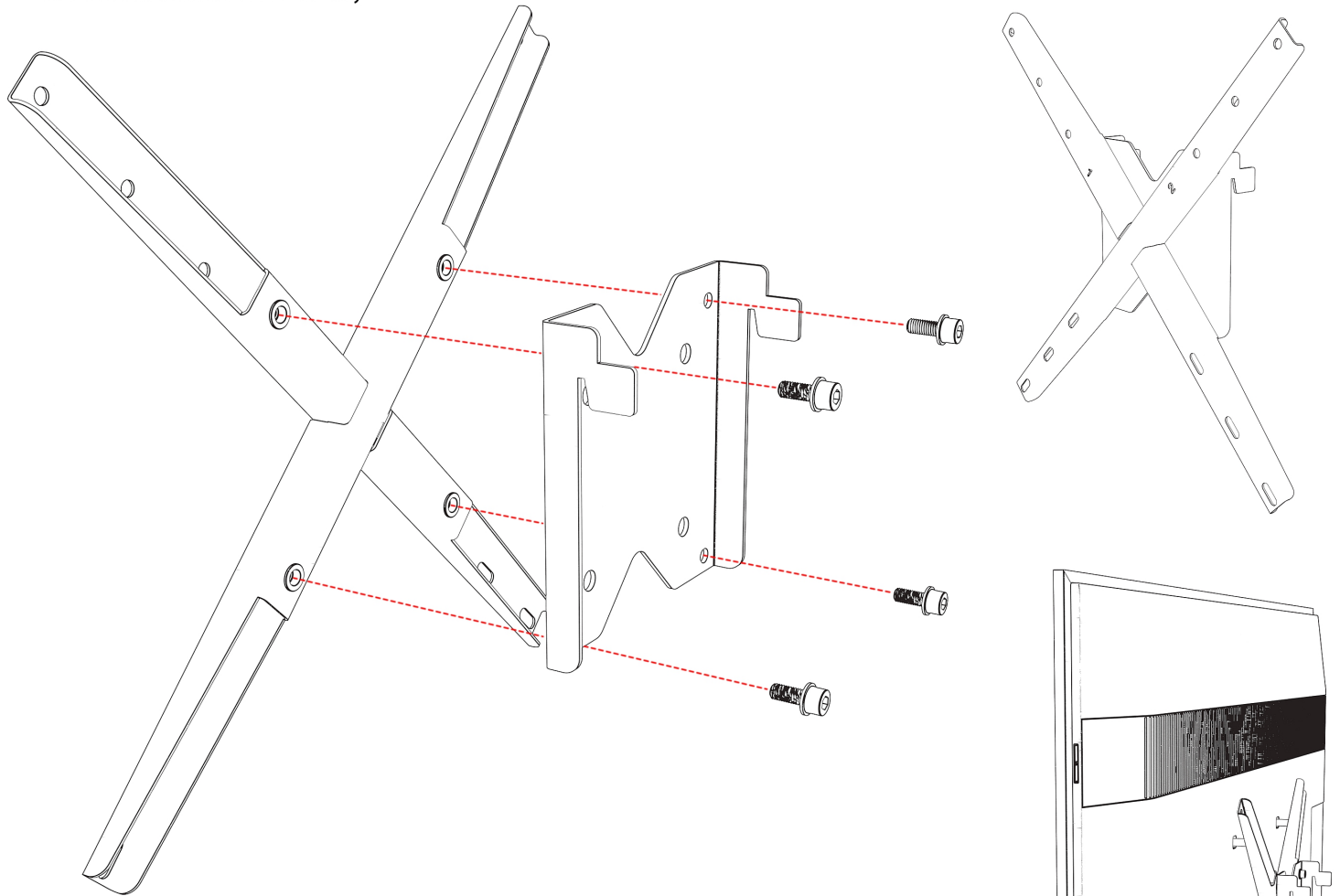


7

Prepare the right adaptor support for your screen.

7.1A 7.3A VESA 200x200, 300x300, 400x400 Support. Install Vesa front support (4) to VESA 200x200, 300x300, 400x400 support (10)

Use 4xM8 screws and 6mm HEX key



7.1B Install VESA 200x200, 300x300, 400x400 Support (4+10) on your screen.

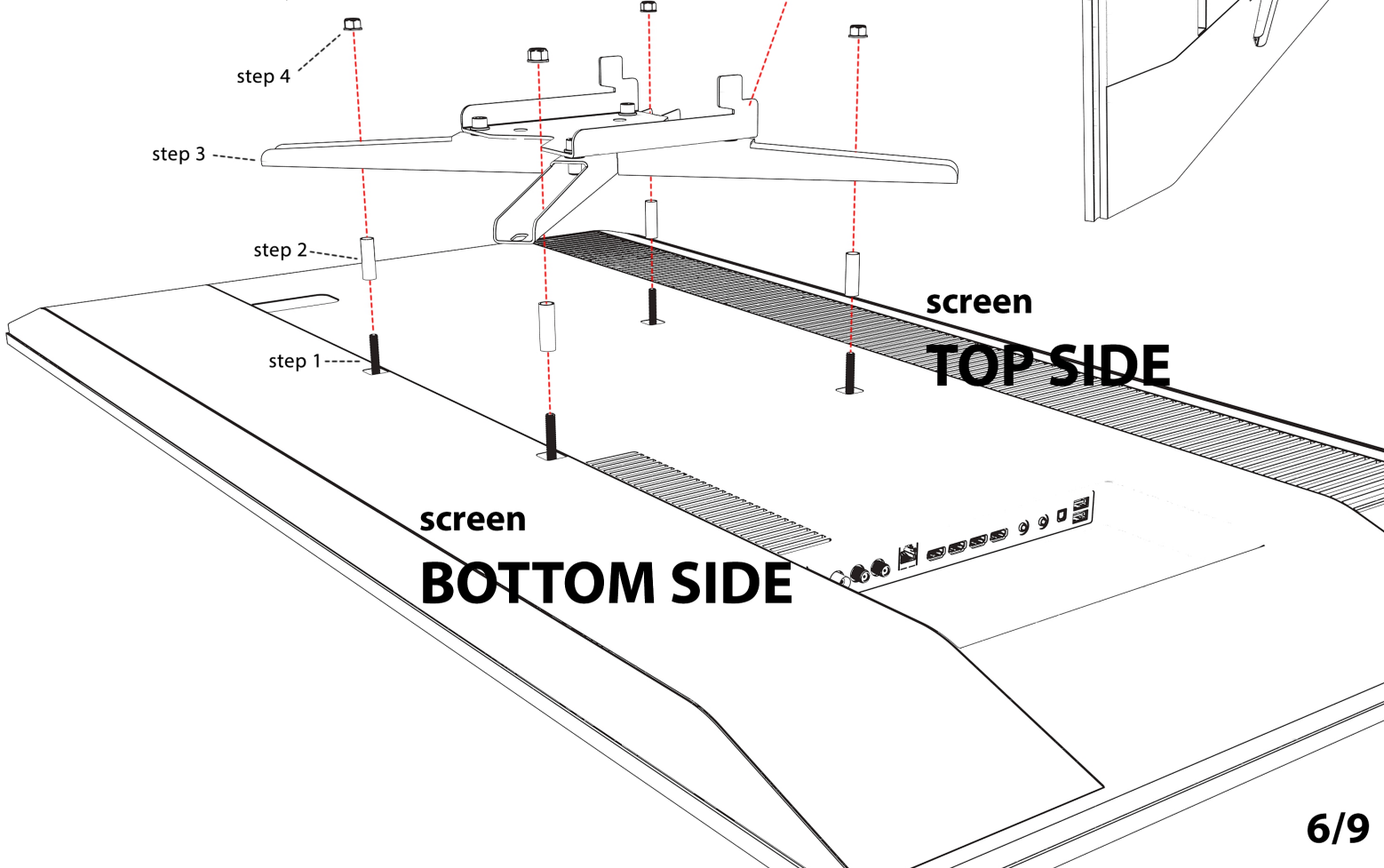
step 1 - install 4xM8 threaded rods on your screen/tv. Tight by 4mm hex key

step 2 - put 12mm bushing on each threaded rod

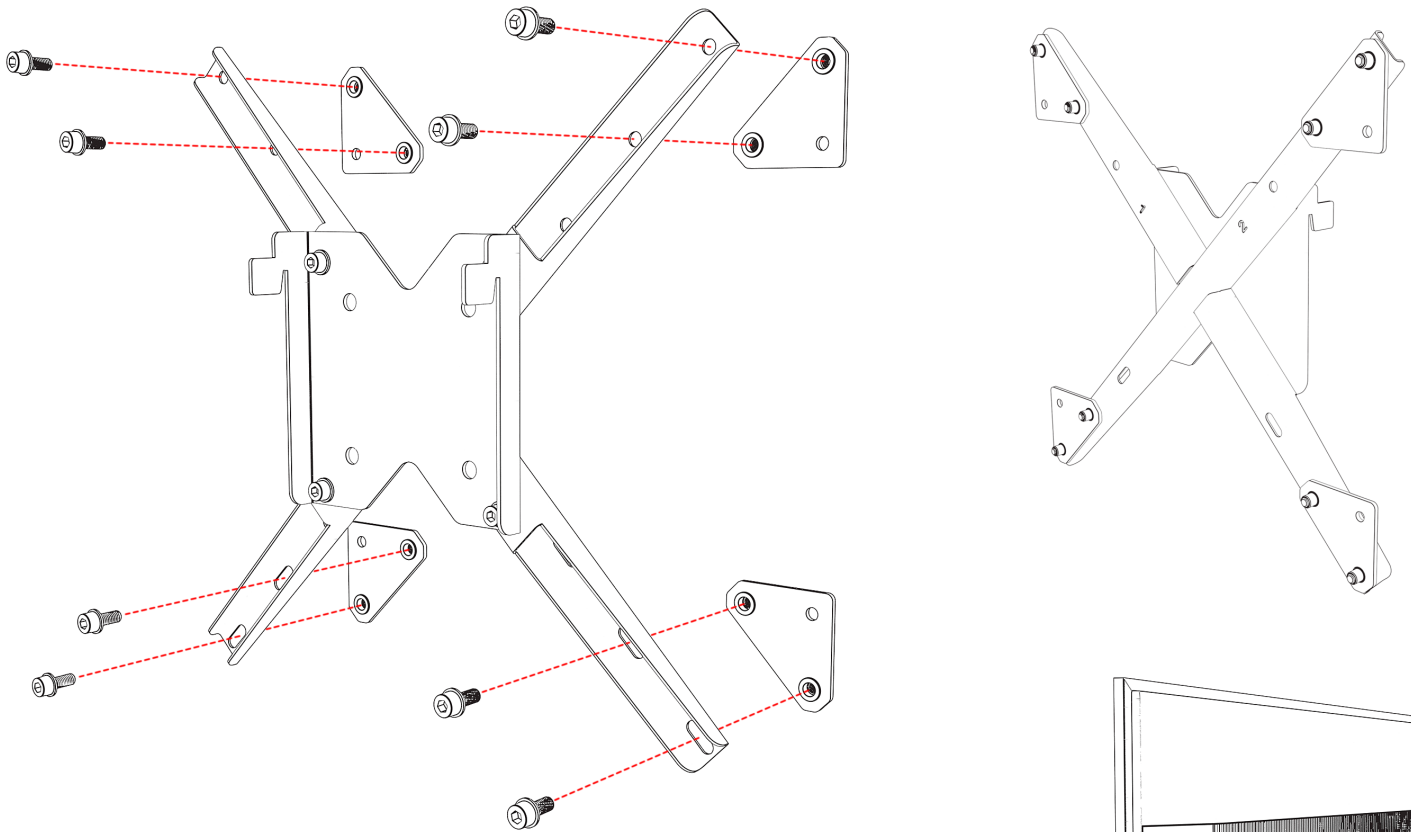
step 3 - install vesa support (4 + 10)

step 4 - lock the assembly with 4xM8 nuts. Use 13mm wrench

IMPORTANT!
This side upwards



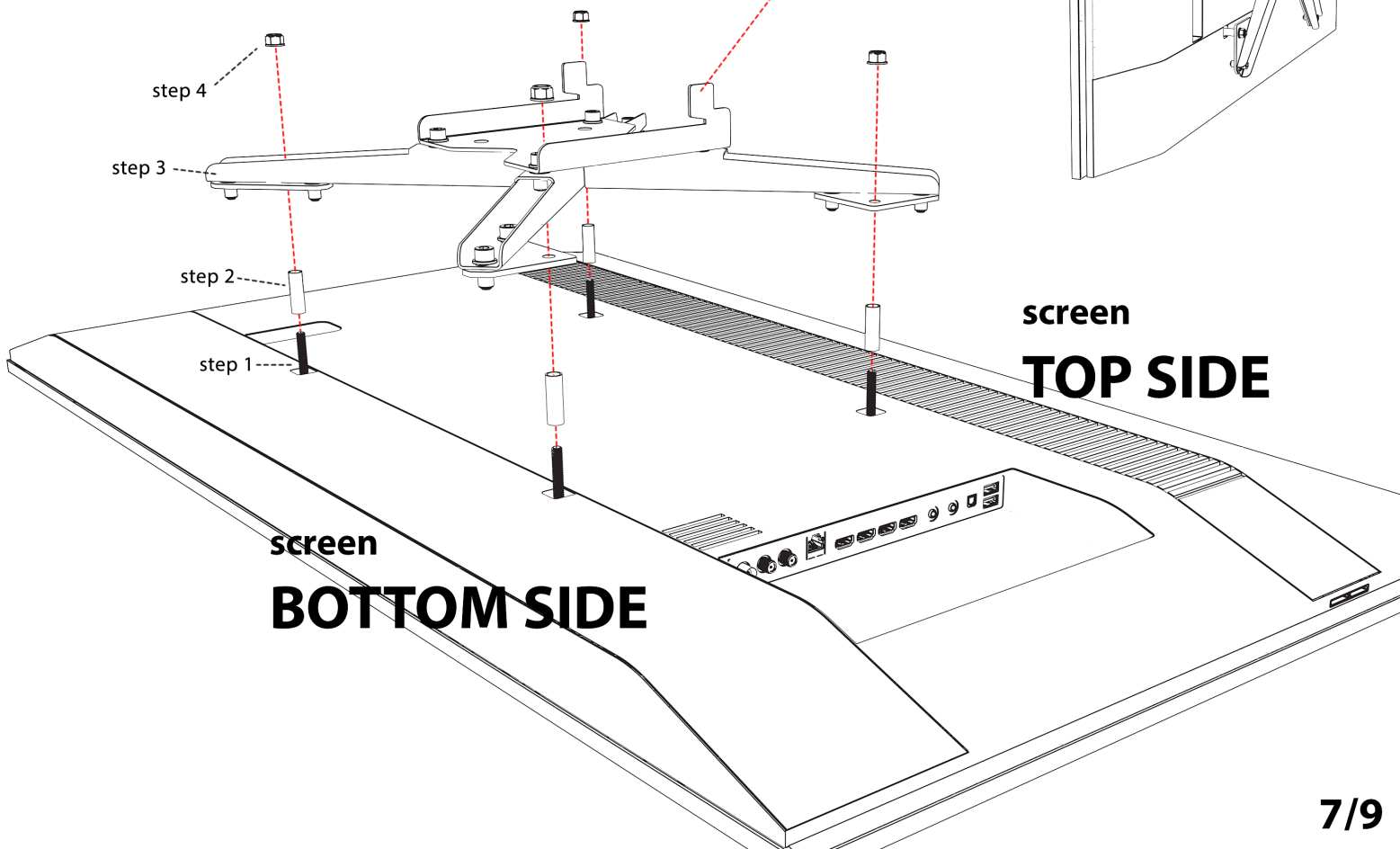
7.2A VESA 400x300, 300x200. Install VESA all four 400x300, 300x200 adapter (9) to VESA 200x200, 300x300, 400x400 support (4+10). Use 8xM8 screws and 6mm HEX key

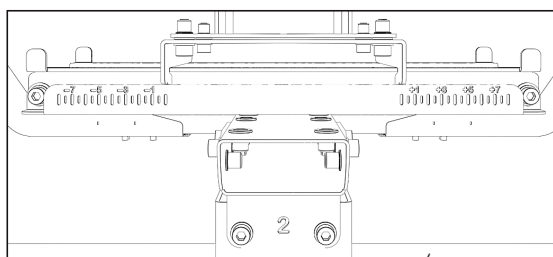
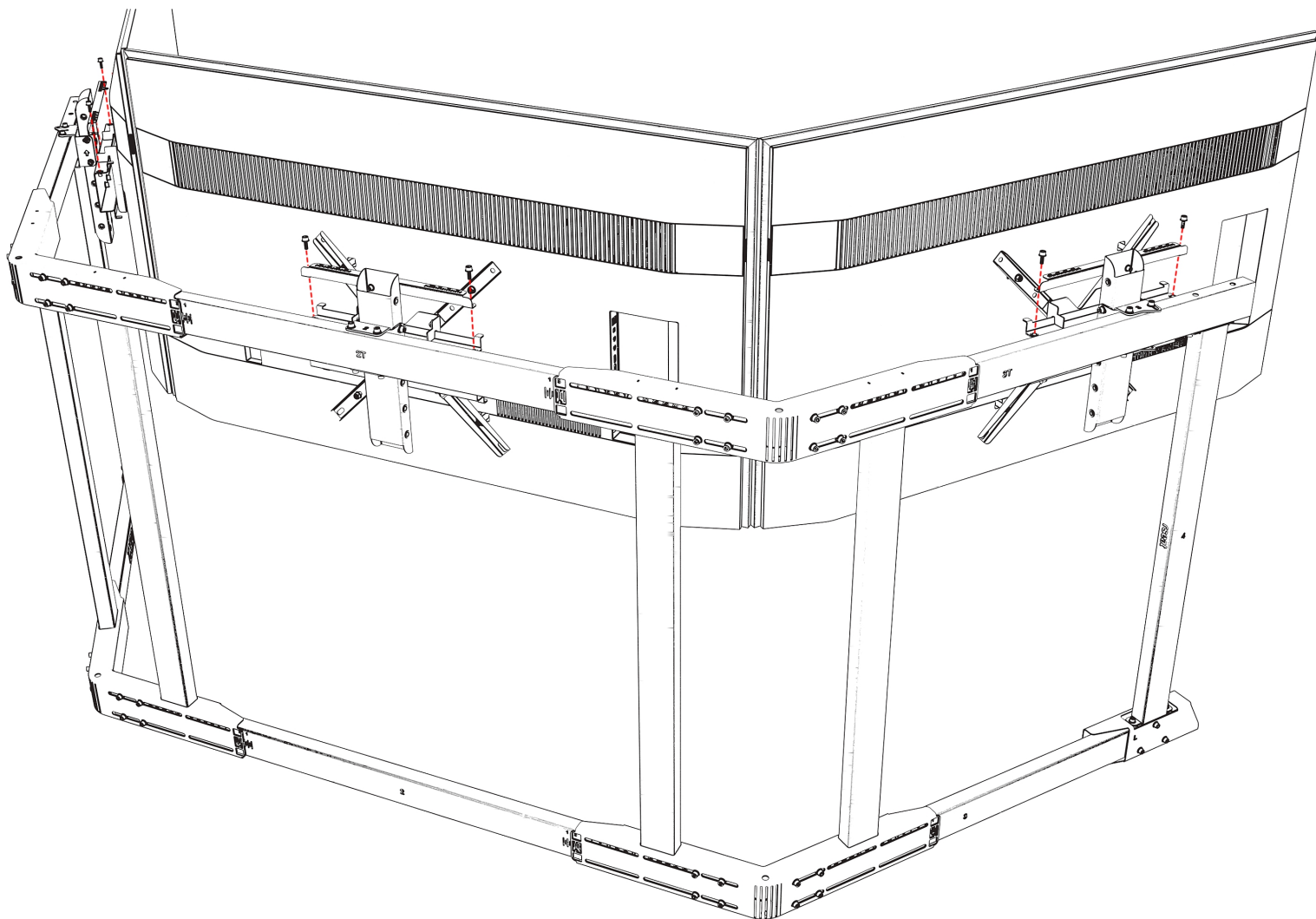


7.2B Install VESA 300x200, 400x300 Support (4+10+9) on your screen.

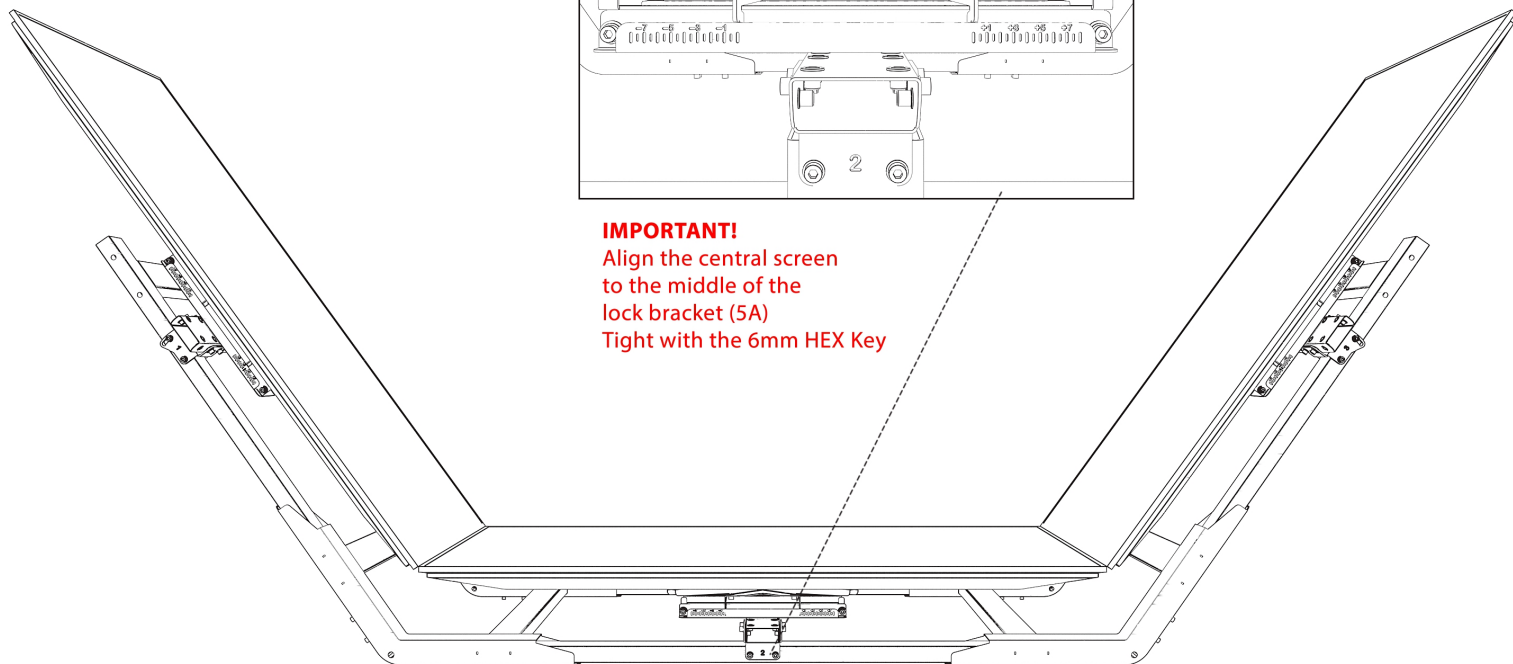
- step 1 - install 4xM8 threaded rods on your screen/tv.
- step 2 - put 12mm bushing on each threaded rod
- step 3 - install vesa support (4 + 10 + 9)
- step 4 - lock the assembly with 4xM8 nuts. Use 13mm wrench

IMPORTANT!
This side upwards





IMPORTANT!
Align the central screen
to the middle of the
lock bracket (5A)
Tight with the 6mm HEX Key



9 RSEAT TX90 SETUP AND ADJUSTMENT

- To tilt the screen (each independent) adjust connection between (B1), (B2), (B3) and VESA Back support (6)
- Side screens position- slide Top Arms (1T), (3T) in or out. For fine adjustment slide (4) on (5)
- Slide (8A) and (8B) in and out to find the perfect angle and position for your screen. The Optimal position is when the center of all three screens are ~ equal away from the user's view.
- Angle between screens is adjustable in 40°-62° range.
- Height Adjustment range 480mm (18.9 inch) (± 240 mm (9.45 inch) up/down)
- SUPPORT triple 65-90 inch TV's

IMPORTANT!

When you setup your screens in place with the right angle that works best for you, tight all screws with the 6mm HEX key.

Make sure top/bottom, left/right marks are in an equal position on the mirror (opposite) side

