

**Europe, Middle East**

ENGLISH  
FRANÇAIS  
DEUTSCH  
NEDERLANDS  
ITALIANO  
ESPAÑOL  
PORTUGUÊS  
РУССКИЙ  
ΕΛΛΗΝΙΚΑ  
TÜRKÇE  
POLSKI

العربية

**North America/**

**Norteamérica**

ENGLISH  
FRANÇAIS  
ESPAÑOL

**Latin America/**

**América Latina**

ENGLISH  
ESPAÑOL  
PORTUGUÊS

**Asia Pacific**

日本語  
简体中文  
한국어  
ENGLISH

***THRUSTMASTER®***

***TX Racing Wheel***

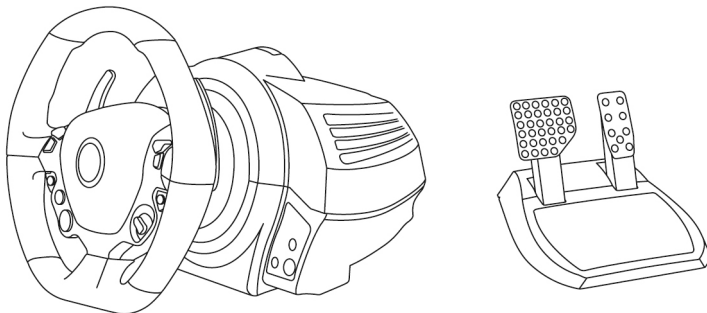
**FERRARI 458 ITALIA EDITION**

# TX Racing Wheel

FERRARI 458 ITALIA EDITION

FOR XBOX ONE

User Manual



**WARNING:**

To ensure that your TX Racing Wheel functions correctly with games for XBOX ONE, you may be required to install the games' automatic updates (available when your games console is connected to the Internet).

ENGLISH

FRAANÇAIS

DEUTSCH

NEDERLANDS

ITALIANO

ESPAÑOL

PORTUGUÉS

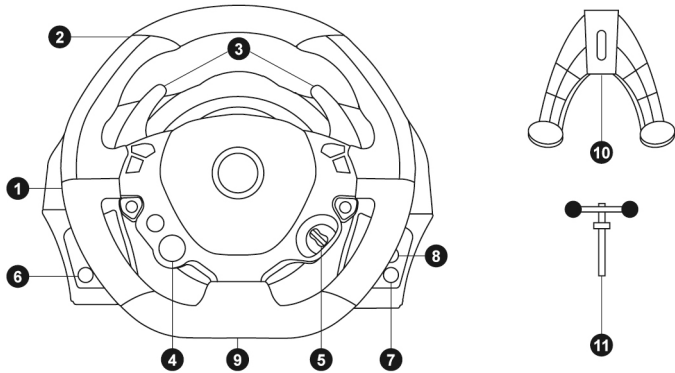
РУССКИЙ

ΕΛΛΗΝΙΚΑ

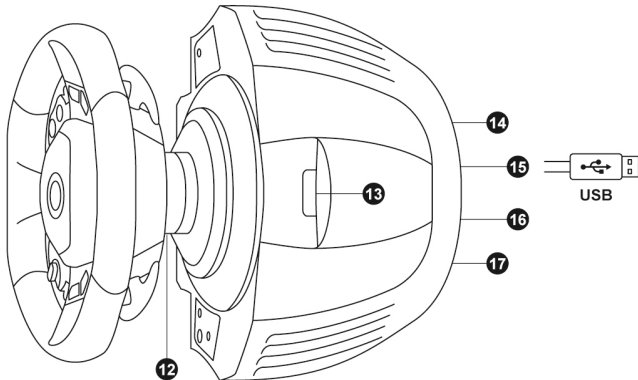
TÜRKÇE

POLSKI

# TECHNICAL SPECIFICATIONS



- |  |  |
|--|--|
| 1 Racing wheel base                          | 7 Xbox Guide button  |
| 2 Racing wheel                               | 8 White indicator light  |
| 3 2 sequential gear shift levers (Up & Down) | 9 Large threaded hole (for attachment system and tightening screw) |
| 4 Multidirectional D-Pad (Engine Start)      | 10 Attachment system   |
| 5 Manettino (2 positions)                    | 11 Metal fastening screw   |
| 6 MODE button + Red/Green indicator light    |  |



- |  |   |
|--|---|
| 12 Thrustmaster Quick Release  | 15 Racing wheel USB cable and connector                               |
| 13 Controller pairing (for Kinect™ detection)  | 16 Gearbox connector<br><i>(sold separately, forthcoming release)</i> |
| 14 Mains supply connector (type A or B)<br><i>(Varies from one country to another)</i> | 17 Pedal set connector  |

## CONNECTING THE RACING WHEEL TO THE MAINS = PLEASE READ BEFORE PROCEEDING!

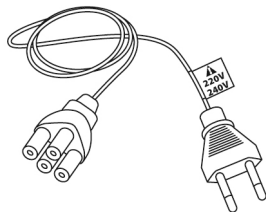
Your racing wheel's power supply varies according to the country where you purchased your device.  
The mains supply can be:

### Internal, with:

\* A power supply unit located directly inside the racing wheel's base, with a type A connector

\* A 220-240V mains power supply cable

= compatible only with a 220-240V electrical supply.



**Never connect the 220-240V cable to a 100-130V power outlet!**  
**Never connect this cable to a mains power adapter!**

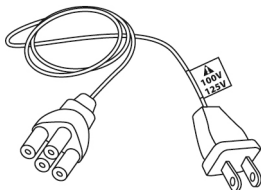


### Internal, with:

\* A power supply unit located directly inside the racing wheel's base, with a type A connector

\* A 100-125V power supply cable

= compatible only with a 100-125V electrical supply.



**Never connect the 100-125V cable to a 220-240V power outlet!**  
**Never connect this cable to a mains power adapter!**



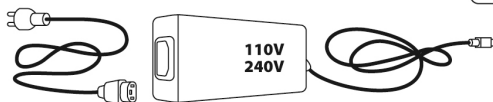
**IMPORTANT: if you do not know which voltage is supplied in the area in which you are using your racing wheel, please refer to your local electricity supplier.**

### External, with:

\* An external power supply unit located on the racing wheel's base, with a type B connector

\* A mains power supply cable

= compatible with all supply voltages, 110-240V.



## WARNINGS

Before you use this product, please read this documentation carefully and keep it safe should you need to consult it later.



### **Warning – Electric shock**

- \* Store the product in a dry location and do not expose it to dust or sunlight.
- \* Respect the connection direction.
- \* Do not twist or pull the connectors and cables.
- \* Do not spill any liquid on the product or its connectors.
- \* Do not short-circuit the product.
- \* Never dismantle the product; do not throw it onto a fire and do not expose it to high temperatures.
- \* Do not use a power supply cable other than the one provided with your racing wheel.
- \* Do not use the mains power supply cable if the cable or the connectors are damaged, split or broken.
- \* Make sure that the mains power cable is properly inserted into the power outlet and the connector located on the rear face of the racing wheel's base.
- \* Do not open. No user replaceable parts inside. Refer servicing to manufacturer, specified agency or qualified technician.
- \* Only use attachments/accessories specified by the manufacturer.
- \* If the steering wheel is operating unusually (if it is emitting any abnormal sounds, heat or odors), stop using it immediately, disconnect the power cable from the socket and disconnect the other cables.
- \* If you are not going to be using the steering wheel for an extended period, disconnect the mains adaptor from the wall socket.
- \* The electrical outlet must be located near the equipment and must be easily accessible.



### **Air vents**

Make sure that you do not block any of the air vents on the steering wheel base. For optimum ventilation, respect the points below:

- \* Position the base at least 10 cm away from any wall surfaces.
- \* Do not place the base in any tight spaces.
- \* Do not cover the base.
- \* Do not let any dust build up on the air vents.



**For safety reasons, never use the pedal set with bare feet or while wearing only socks on your feet.**

**THRUSTMASTER® DISCLAIMS ALL RESPONSIBILITY IN THE EVENT OF INJURY RESULTING FROM USE OF THE PEDAL SET WITHOUT SHOES.**



### **Warning – Injuries due to force feedback and repeated movements**

Playing with a force-feedback steering wheel may cause muscle or joint pain. To avoid any problems:

- \* Avoid lengthy gaming periods.
- \* Take 10 to 15 minute breaks after each hour of play.
- \* If you feel any fatigue or pain in your hands, wrists, arms, feet or legs, stop playing and rest for a few hours before you start playing again.



### **Warning – Injuries due to force feedback and repeated movements (suite)**

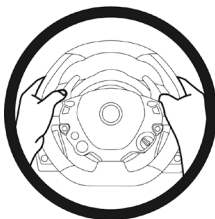
- \* If the symptoms or pain indicated above persist when you start playing again, stop playing and consult your doctor.
- \* Keep out of children's reach.
- \* During games, always leave both hands correctly positioned on the steering wheel without letting it go completely.
- \* During gameplay, never place your hands or your fingers under the pedals or anywhere near the pedal set.
- \* During calibration and gameplay, never place your hand or your arm through the openings in the racing wheel.
- \* Check the steering wheel base is carefully clamped as per manual's instructions.

### **HEAVY PRODUCT**



To be handled only by users  
16 years of age or older

**ALWAYS**

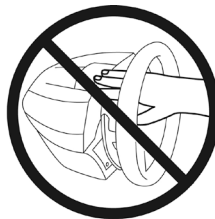


Be careful not to drop the product on  
yourself or on anyone else!

**NEVER**



**NEVER**





**Warning – Pedal set pinch hazard when playing**

- \* Keep the pedal set out of children's reach.
- \* When playing, never place your fingers on or anywhere near the sides of the pedals.
- \* When playing, never leave your fingers on or anywhere near the pedals' rear base.
- \* When playing, never place your fingers on or anywhere near the pedals' front base.

**NEVER**



**NEVER**



**NEVER**



**Warning – Pedal set pinch hazard when not playing**

- \* Store the pedal set in a safe place, and keep it out of children's reach.

## ATTACHING THE FERRARI 458 ITALIA RACING WHEEL TO ITS BASE

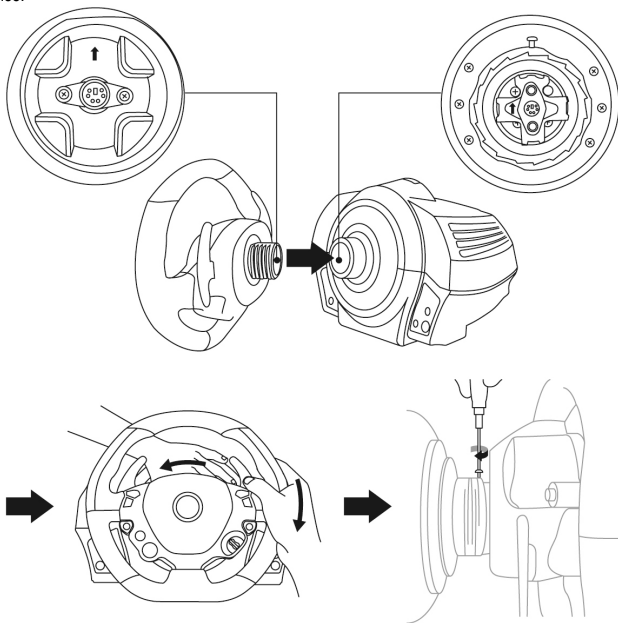
Align the connector locations using the arrows:

**Base (1) connector:** Arrow pointing upwards

**Racing wheel (2) connector:** Arrow pointing upwards

Once the connectors are correctly positioned, simply rotate the Thrustmaster Quick Release (12) device's ring counterclockwise, while holding the racing wheel (2) in position.

Then, tighten the ring as much as you can; to do so, hold the ring in position and rotate the racing wheel clockwise.



Once you have installed the FERRARI 458 ITALIA racing wheel, rotate it 180° (when facing the wheel, the FERRARI logo should be upside down) to access the small attachment screw located on the Thrustmaster Quick Release (12) device. Use a large cross-slot screwdriver to tighten the small attachment screw (do not use excessive force), turning it clockwise.



**Do not use excessive force when screwing the small attachment screw (using a cross-slot screwdriver)!**

**Stop turning the screw as soon as you feel some resistance.**

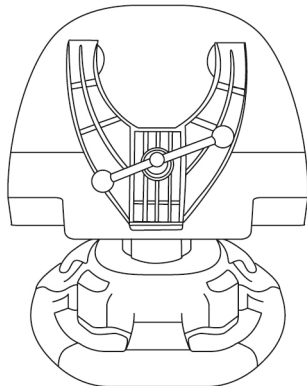


## ATTACHING THE RACING WHEEL

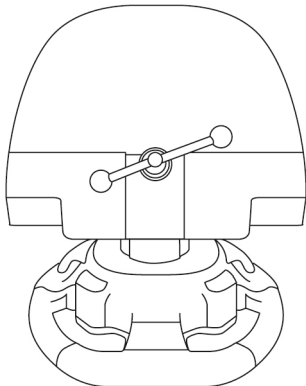
### Attaching the racing wheel to a table or a desktop

1. Place the racing wheel on a table or any other horizontal, flat and stable surface.
2. Insert the fastening screw (11) in the attachment system (10), then tighten the device by turning the screw counterclockwise, so that it feeds into the large threaded hole (9) located beneath the racing wheel, until the device is perfectly stable.

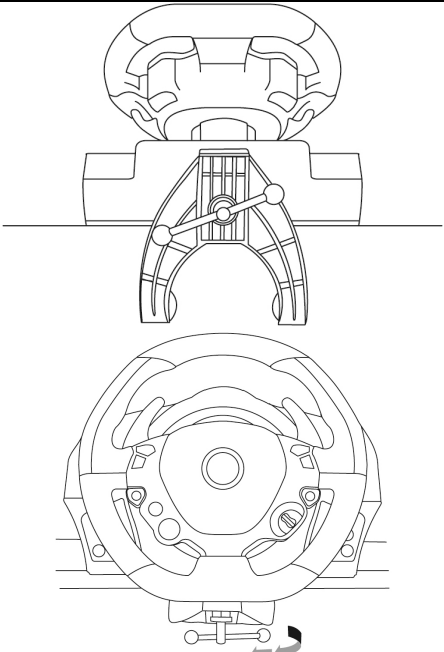
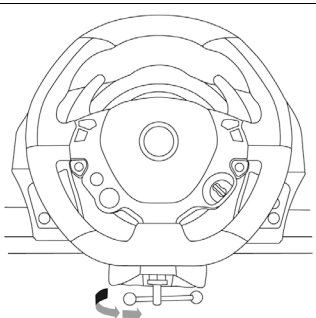
**ALWAYS**



**NEVER**



**WARNING:** Never tighten the screw alone, without the attachment system!  
(This could damage the racing wheel).

ATTACHMENT / REMOVAL	DIRECTION
<p><b><u>To tighten:</u></b></p> <p><i>Turn the screw counterclockwise</i></p>	
<p><b><u>To release:</u></b></p> <p><i>Turn the screw clockwise</i></p>	

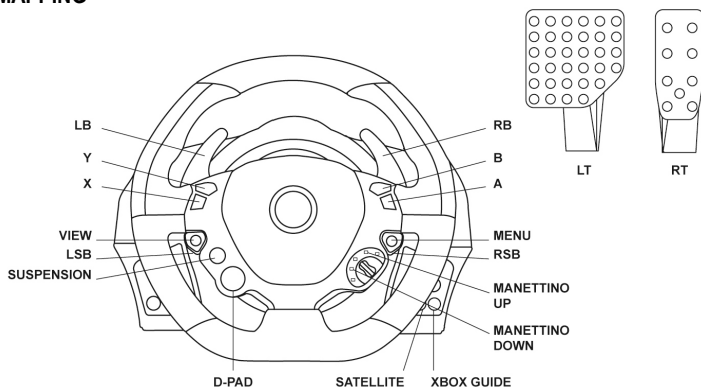
## Attaching the racing wheel's base to a cockpit

1. Place the racing wheel's base on the cockpit shelf.
2. Drive two M6 screws (not included) through the cockpit shelf, then feed them into the two small threaded holes located beneath the racing wheel.  
*Important:* The length of the M6 screws should not exceed the thickness of the shelf + 12 mm; longer screws could cause damage to internal components located in the racing wheel's base.
3. If required, tighten the standard attachment system by inserting the fastening screw in the large threaded hole.

## Attaching the pedal set to a cockpit

1. Attach the pedal set using the small threaded holes located beneath it.
2. Drive two M6 screws (not included) through the cockpit shelf, then feed them into the two small threaded holes located beneath the pedal set.  
*Important:* The length of the M6 screws should not exceed the thickness of the shelf + 10 mm; longer screws could cause damage to internal components located in the pedal set.

## MAPPING



At product launch on Xbox One, different action buttons on the wheel will have identical features in the game.

In the near future, automatically updating your games (automatic updates will be available if your console is connected to the Internet) and updating your racing wheel's firmware will enable you to remove these duplicate features and increase the number of individual buttons.

## UPGRADING YOUR RACING WHEEL'S FIRMWARE

The firmware included in your racing wheel's base can be upgraded to a more recent version featuring product enhancements.

To display the firmware version that your racing wheel is currently using and update it if required: on PC, visit <http://support.thrustmaster.com>. Click **Racing Wheels / TX Racing Wheel**, then select **Firmware** and follow the instructions describing the download and installation procedure.

## SETTING UP THE RACING WHEEL FOR THE XBOX ONE

1. Connect the pedal set to the connector (17) located at the back of the racing wheel's base.
2. Connect the power supply cable to the connector (14) located at the back of the racing wheel's base.
3. Connect the power supply cable to a mains outlet with proper voltage specifications.



**For more information about this, please refer to the CONNECTING THE RACING WHEEL TO THE MAINS section, on page 3 in this manual.**

4. Connect the racing wheel's USB connector (15) to one of the console's USB ports.

You are now ready to race!

## AUTOMATIC RACING WHEEL AND PEDAL SET CALIBRATION

The racing wheel automatically self-calibrates when you connect the racing wheel to the mains and the racing wheel's USB connector to the console.

During this phase, the racing wheel will rotate quickly towards the left and the right, covering a 900 degree angle, before stopping at the center.



### **WARNING:**

**Never touch the racing wheel during the self-calibration phase!**  
(This could cause an incorrect calibration and/or personal injuries).

## AUTOMATIC CALIBRATION OF THE PEDAL SET

Never connect the pedal set to the racing wheel's base (or disconnect it from the base) when it is connected to the console or during gameplay (this could cause incorrect calibration).

Always connect the pedal set before connecting the racing wheel to the console.

Once the racing wheel's calibration is done and the game has been launched, the pedals are automatically calibrated after a few presses.



### **WARNING:**

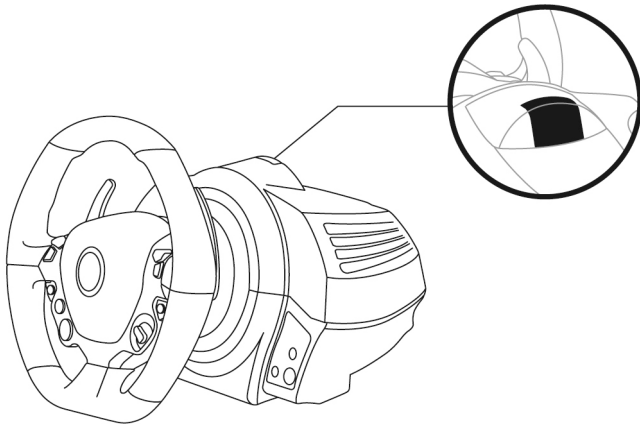
**Never press the pedals during the racing wheel's self-calibration phase or while a game is loading!**  
(This could cause incorrect calibration)

**If your racing wheel and pedal set do not operate correctly, or if calibration seems incorrect:**

Turn off your console, disconnect your racing wheel entirely, reconnect all cables (using the mains power supply cable and pedal set), then restart your console and your game.

## **CONTROLLER PAIRING (13)**

To ensure correct detection of your racing wheel, the device's controller pairing (*located on the upper section of the racing wheel's base*) must always remain in the KINECT™ camera's field of vision.



## **INTERNAL TEMPERATURE SENSOR**

For safety reasons, the racing wheel's base features a temperature sensor.

If the device's temperature becomes too high, your racing wheel can shut down suddenly.

In this event:

- Unplug the mains power supply cable and the device's USB connector.
- Wait for the racing wheel's base to cool down entirely.
- Then, reconnect the device.

## MODE BUTTON AND INDICATOR LIGHT (6)

### MODE button for the pedal set

The pedal set included with the TX Racing Wheel features 2 pedals.

When using this pedal set, make sure that the indicator light remains red, or the accelerator pedal will not function correctly.

The TX Racing Wheel is also compatible with Thrustmaster pedal sets featuring 3 pedals (*sold separately; forthcoming release*); these enable you to electronically swap the accelerator and clutch pedals.

To do so, simply press the MODE button (6) for 2 seconds.

The racing wheel's internal memory stores whether the pedals have been swapped around or not.

ACCELERATOR AND CLUTCH PEDALS	Color of the MODE indicator light (6)
NORMAL	RED
SWAPPED AROUND	GREEN

### Other hints for the MODE button

To learn more about the MODE button and indicator light, please visit <http://support.thrustmaster.com>. Click **Racing Wheels / TX Racing Wheel**, and then select **Manual** or **FAQ**.

### HELP FILES AND FAQs (not stated in this manual)

Please visit <http://support.thrustmaster.com>. Click **Racing Wheels / TX Racing Wheel**, and then select **Manual** or **FAQ**.

## **CONSUMER WARRANTY INFORMATION**

Worldwide, Guillemot Corporation S.A., whose registered office is located at Place du Granier, B.P. 97143, 35571 Chantepie, France (hereinafter "Guillemot") warrants to the consumer that this Thrustmaster product shall be free from defects in materials and workmanship, for a warranty period which corresponds to the time limit to bring an action for conformity with respect to this product. In the countries of the European Union, this corresponds to a period of two (2) years from delivery of the Thrustmaster product. In other countries, the warranty period corresponds to the time limit to bring an action for conformity with respect to the Thrustmaster product according to applicable laws of the country in which the consumer was domiciled on the date of purchase of the Thrustmaster product (if no such action exists in the corresponding country, then the warranty period shall be one (1) year from the original date of purchase of the Thrustmaster product).

Notwithstanding the above, rechargeable batteries are covered by a warranty period of six (6) months from the date of original purchase.

Should the product appear to be defective during the warranty period, immediately contact Technical Support, who will indicate the procedure to follow. If the defect is confirmed, the product must be returned to its place of purchase (or any other location indicated by Technical Support).

Within the context of this warranty, the consumer's defective product shall, at Technical Support's option, be either replaced or returned to working order. If, during the warranty period, the Thrustmaster product is subject to such reconditioning, any period of at least seven (7) days during which the product is out of use shall be added to the remaining warranty period (this period runs from the date of the consumer's request for intervention or from the date on which the product in question is made available for reconditioning, if the date on which the product is made available for reconditioning is subsequent to the date of the request for intervention). If permitted under applicable law, the full liability of Guillemot and its subsidiaries (including for consequential damages) is limited to the return to working order or the replacement of the Thrustmaster product. If permitted under applicable law, Guillemot disclaims all warranties of merchantability or fitness for a particular purpose.

This warranty shall not apply: (1) if the product has been modified, opened, altered, or has suffered damage as a result of inappropriate or abusive use, negligence, an accident, normal wear, or any other cause unrelated to a material or manufacturing defect (including, but not limited to, combining the Thrustmaster product with any unsuitable element, including in particular power supplies, rechargeable batteries, chargers, or any other elements not supplied by Guillemot for this product); (2) if the product has been used for any use other than home use, including for professional or commercial purposes (game rooms, training, competitions, for example); (3) in the event of failure to comply with the instructions provided by Technical Support; (4) to software, said software being subject to a specific warranty; (5) to consumables (elements to be replaced over the product's lifespan: disposable batteries, audio headset or headphone ear pads, for example); (6) to accessories (cables, cases, pouches, bags, wrist-straps, for example); (7) if the product was sold at public auction.

This warranty is nontransferable.

The consumer's legal rights with respect to laws applicable to the sale of consumer goods in his or her country are not affected by this warranty.

### **Additional warranty provisions**

During the warranty period, Guillemot shall not provide, in principle, any spare parts, as Technical Support is the only party authorized to open and/or recondition any Thrustmaster product (with the exception of any reconditioning procedures which Technical Support may request that the consumer carry out, by way of written instructions – for example, due to the simplicity and the lack of confidentiality of the reconditioning process – and by providing the consumer with the required spare part(s), where applicable).

Given its innovation cycles and in order to protect its know-how and trade secrets, Guillemot shall not provide, in principle, any reconditioning notification or spare parts for any Thrustmaster product whose warranty period has expired.

In the United States of America and in Canada, this warranty is limited to the product's internal mechanism and external housing. In no event shall Guillemot or its affiliates be held liable to any third party for any consequential or incidental damages resulting from the breach of any express or implied warranties. Some States/Provinces do not allow limitation on how long an implied warranty lasts or exclusion or limitation of liability for consequential or incidental damages, so the above limitations or exclusions may not apply to you. This warranty gives you specific legal rights, and you may also have other rights which vary from State to State or Province to Province.

#### Liability

If permitted under applicable law, Guillemot Corporation S.A. (hereinafter "Guillemot") and its subsidiaries disclaim all liability for any damages caused by one or more of the following: (1) the product has been modified, opened or altered; (2) failure to comply with assembly instructions; (3) inappropriate or abusive use, negligence, an accident (an impact, for example); (4) normal wear; (5) the use of the product for any use other than home use, including for professional or commercial purposes (game rooms, training, competitions, for example). If permitted under applicable law, Guillemot and its subsidiaries disclaim all liability for any damages unrelated to a material or manufacturing defect with respect to the product (including, but not limited to, any damages caused directly or indirectly by any software, or by combining the Thrustmaster product with any unsuitable element, including in particular power supplies, rechargeable batteries, chargers, or any other elements not supplied by Guillemot for this product).

**THRUSTMASTER®**

**TECHNICAL SUPPORT**

<http://support.thrustmaster.com>





## FCC STATEMENT

1. This device complies with Part 15 of the FCC Rules. Operation is subject to the following two conditions:

(1) This device may not cause harmful interference, and

(2) This device must accept any interference received, including interference that may cause undesired operation.

2. Changes or modifications not expressly approved by the party responsible for compliance could void the user's authority to operate the equipment.

## COPYRIGHT

© 2017 Guillemot Corporation S.A. All rights reserved. Thrustmaster® is a registered trademark of Guillemot Corporation S.A. Ferrari® is a registered trademark of Ferrari Idea S.p.A. All other trademarks are the property of their respective owners. Illustrations not binding. Contents, designs and specifications are subject to change without notice and may vary from one country to another. Made in China.

## ENVIRONMENTAL PROTECTION RECOMMENDATION



\* In the European Union: At the end of its working life, this product should not be disposed of with standard household waste, but rather dropped off at a collection point for the disposal of Waste Electrical and Electronic Equipment (WEEE) for recycling.

This is confirmed by the symbol found on the product, user manual or packaging.

Depending on their characteristics, the materials may be recycled. Through recycling and other forms of processing Waste Electrical and Electronic Equipment,

you can make a significant contribution towards helping to protect the environment.

Please contact your local authorities for information on the collection point nearest you.

For all other countries: Please adhere to local recycling laws for electrical and electronic equipment.

Retain this information. Colours and decorations may vary.

Plastic fasteners and adhesives should be removed from the product before it is used.

[www.thrustmaster.com](http://www.thrustmaster.com)

*\*Applicable to EU and Turkey only*

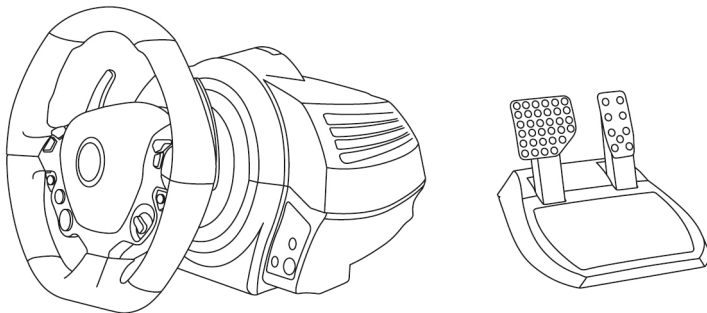


# TX Racing Wheel

FERRARI 458 ITALIA EDITION

POUR XBOX ONE

Manuel de l'utilisateur



### **ATTENTION :**

Pour que le volant TX Racing Wheel fonctionne correctement avec les jeux XBOX ONE, il peut être nécessaire d'installer les mises à jour automatiques de ces jeux (disponibles lorsque votre console est connectée à Internet).

ENGLISH

FRANÇAIS

DEUTSCH

NEDERLANDS

ITALIANO

ESPAÑOL

PORTUGUÊS

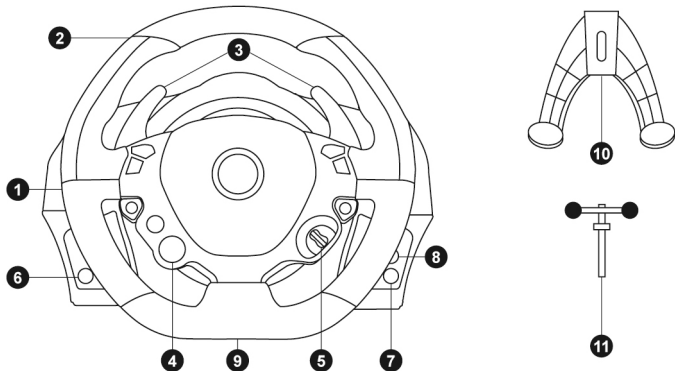
РУССКИЙ

ΕΛΛΗΝΙΚΑ

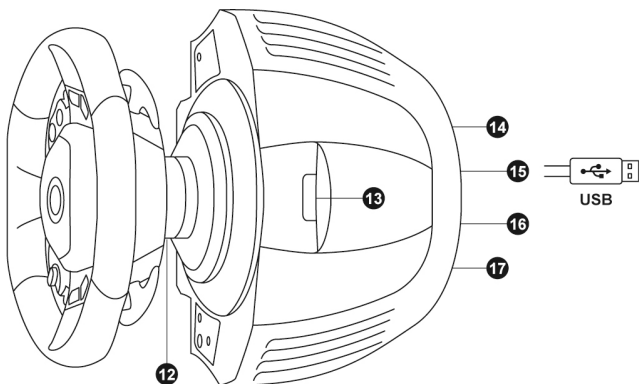
TÜRKÇE

POLSKI

## CARACTÉRISTIQUES TECHNIQUES



- |  |  |
|--|--|
| 1 Base du volant   | 7 Bouton Xbox Guide  |
| 2 Roue du volant   | 8 Voyant lumineux Blanc  |
| 3 2 leviers séquentiels de changement de vitesse (Up & Down) | 9 Gros pas de vis (pour le système de fixation et la vis de serrage) |
| 4 Croix multidirectionnelle (Engine Start)                   | 10 Système de fixation   |
| 5 Manettino 2 positions                                      | 11 Vis de serrage métallique   |
| 6 Bouton MODE + Voyant lumineux Rouge/Vert                   |  |



- |   |   |
|---|---|
| 12 Thrustmaster Quick Release   | 15 Câble et connecteur USB du volant                                      |
| 13 Appairage contrôleur (pour détection Kinect™)                                    | 16 Connecteur pour la boîte de vitesses (vendue séparément prochainement) |
| 14 Connecteur type A ou B pour l'alimentation secteur (diffère d'un pays à l'autre) | 17 Connecteur pour le pédalier  |

## RELIER LE VOLANT AU SECTEUR = A LIRE IMPERATIVEMENT

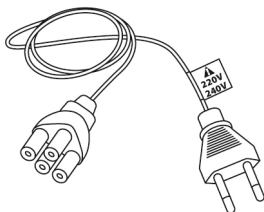
En fonction du pays où vous avez acheté votre volant, l'alimentation secteur de votre volant diffère. Elle est :

### Soit interne avec :

\* Boîtier d'alimentation directement dans la base du volant avec connecteur type A

\* Câble d'alimentation secteur 220-240V.

= uniquement compatible avec du courant 220-240V.



**Ne jamais brancher le câble 220-240V sur une prise de courant 100-130V !!!**  
**Ne jamais relier ce câble à un adaptateur secteur !!!**

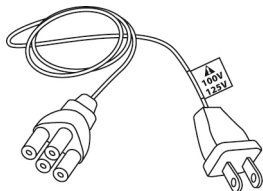


### Soit interne avec :

\* Boîtier d'alimentation directement dans la base du volant avec connecteur type A

\* Câble d'alimentation secteur 100-125V.

= uniquement compatible avec du courant 100-125V.



**Ne jamais brancher le câble 100-125V sur une prise de courant 220-240V !!!**  
**Ne jamais relier ce câble à un adaptateur secteur !!!**



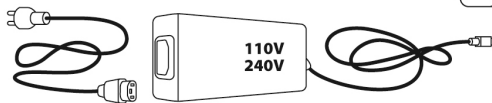
**IMPORTANT : Si vous ne connaissez pas le voltage de la zone dans laquelle vous utilisez le volant, reportez-vous- au fournisseur local d'électricité.**

### Soit externe avec :

\* Boîtier d'alimentation externe à la base du volant avec connecteur type B

\* Câble d'alimentation secteur

= compatible avec tout type de courant 110-240V.



## AVERTISSEMENTS

Avant d'utiliser ce produit, lisez attentivement cette documentation et conservez-la pour pouvoir la consulter ultérieurement.



### **Avertissement – Choc électrique**

- \* Conservez le produit dans un endroit sec et ne l'exposez ni à la poussière ni au soleil.
- \* Respectez les sens de branchement.
- \* Ne tordez pas et ne tirez pas sur les connecteurs et câbles.
- \* Ne renversez pas de liquide sur le produit et ses connecteurs.
- \* Ne mettez pas le produit en court-circuit.
- \* Ne démontez jamais le produit, ne le jetez pas au feu et ne l'exposez pas à des températures élevées.
- \* N'utilisez pas de câble d'alimentation autre que celui fourni avec votre volant
- \* N'utilisez pas le câble d'alimentation secteur si celui-ci où ses connecteurs sont endommagés, fendus ou cassés.
- \* Assurez-vous que le câble d'alimentation secteur est parfaitement inséré dans la prise murale et dans son connecteur situé à l'arrière de la base du volant.
- \* N'ouvrez pas l'appareil. L'appareil ne contient pas de pièces réparables par l'utilisateur. Confiez toute réparation au fabricant, à une agence spécifiée ou un technicien qualifié.
- \* Utilisez uniquement les systèmes de fixation /accessoires spécifiés par le fabricant.
- \* Si le volant fonctionne de manière anormale (s'il émet des sons, de la chaleur ou des odeurs anormales), arrêtez immédiatement de l'utiliser, débranchez le câble d'alimentation de la prise électrique et déconnectez les autres câbles.
- \* Lorsque vous n'utilisez pas le volant pendant une période prolongée, débranchez le câble d'alimentation secteur de la prise électrique.



### **Grilles d'aération**

Veillez à n'obstruer aucune grille d'aération de la base du volant. Pour assurer une ventilation optimale, respectez les points ci-après :

- \* Placez la base à 10 cm au moins d'une surface murale.
- \* Ne placez pas la base dans un endroit exigu.
- \* Ne couvrez pas la base.
- \* Ne laissez pas la poussière s'accumuler sur les grilles d'aération.



**Pour des raisons de sécurité, ne jouez pas pieds nus ou en chaussettes lorsque vous utilisez le pédalier.**

**THRUSTMASTER® DECLINE TOUTE RESPONSABILITE EN CAS DE BLESSURE SUITE A UNE UTILISATION DU PEDALIER SANS CHAUSSURES.**



### **Avertissement – Blessures dues au retour de force et aux mouvements répétitifs**

Jouer avec un volant à retour de force peut causer des douleurs aux muscles et aux articulations. Afin d'éviter tout problème :

- \* Evitez les périodes trop longues de jeu.
- \* Faites une pause de 10 à 15 minutes après chaque heure de jeu.
- \* Si vous éprouvez fatigue ou douleur au niveau des mains, des poignets, des bras, des pieds ou des jambes, cessez de jouer et reposez-vous pendant quelques heures avant de recommencer à jouer.



## **Avertissement – Blessures dues au retour de force et aux mouvements répétitifs (suite)**

\* Si les symptômes ou les douleurs indiqués ci-dessus persistent lorsque vous reprenez le jeu, arrêtez de jouer et consultez votre médecin.

\* Laissez hors de portée des enfants.

\* Lors des phases de jeu, laissez toujours vos deux mains correctement positionnées sur le volant sans jamais le lâcher complètement.

\* Lors des phases de jeu, ne placez jamais vos mains ou vos doigts sous les pédales ou à proximité du pédalier.

\* Lors des phases de calibration et de jeu, ne jamais introduire une main ou un bras à l'intérieur de la roue du volant.

\* Vérifiez que la base du volant est correctement fixée, conformément aux instructions du manuel.

### **PRODUIT LOURD**



Produit à manipuler uniquement par des personnes âgées de 16 ans ou plus

**TOUJOURS**



Ne pas laisser tomber le produit sur vous ou une autre personne

**JAMAIS**



**JAMAIS**





**Avertissement – Risque de pincement au niveau du pédalier lors des phases de jeu**

- \* Laissez le pédalier hors de portée des enfants.
- \* Lors des phases de jeu, ne placez jamais vos doigts sur ou à proximité des côtés des pédales.
- \* Lors des phases de jeu, ne placez jamais vos doigts sur ou à proximité de la base arrière des pédales.
- \* Lors des phases de jeu, ne placez jamais vos doigts sur ou à proximité de la base avant des pédales.

**JAMAIS**



**JAMAIS**



**JAMAIS**



**Avertissement – Risque de pincement au niveau du pédalier lorsque vous n'utilisez pas le pédalier**

- \* Placez le pédalier dans un endroit sûr et hors de portée des enfants.

## INSTALLATION DE LA ROUE FERRARI 458 ITALIA SUR SA BASE

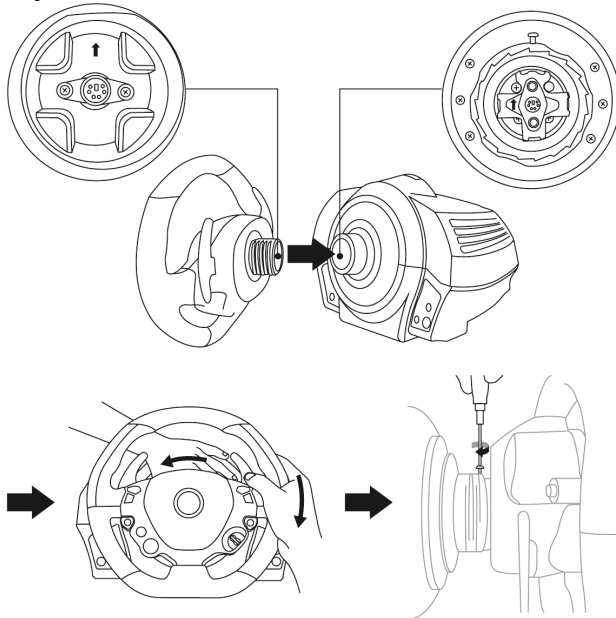
Alignez la position des connecteurs en vous aidant des flèches :

**Connecteur de la base (1):** Flèche vers le haut

**Connecteur de la roue (2):** Flèche vers le haut

Une fois les connecteurs mis en place, il vous suffit de tourner la bague du Thrustmaster Quick Release (12) dans le sens inverse des aiguilles d'une montre tout en maintenant la roue (2) fixe.

Puis serrez fortement (et au maximum) la bague en la maintenant fixe et en tournant le volant dans le sens des aiguilles d'une montre.



Lorsque la roue FERRARI 458 ITALIA est installée, tournez-la de 180° (vu de face, le Logo FERRARI doit être à l'envers) afin d'accéder à la petite vis de fixation située sur la bague du Thrustmaster Quick Release (12). A l'aide d'un gros tournevis cruciforme, vissez sans forcer la petite vis de fixation dans le sens des aiguilles d'une montre.



**Ne pas forcer lorsque vous revissez (à l'aide d'un tournevis cruciforme) la « petite vis de fixation » = arrêtez de visser dès que sentez une résistance.**

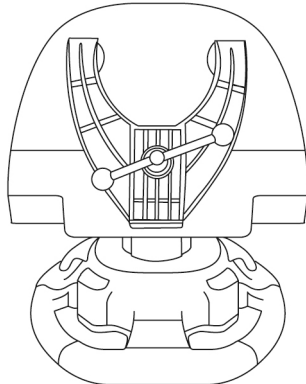


## FIXATION DU VOLANT

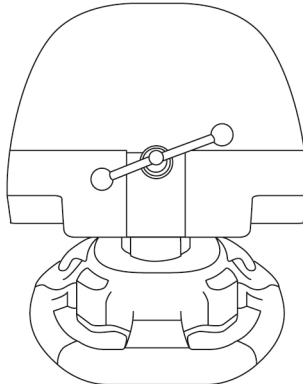
### Fixer le volant sur une table ou un bureau

1. Placez le volant sur une table ou autre surface plane.
2. Placez la vis de serrage (11) dans le système de fixation (10), puis vissez l'ensemble (dans le sens inverse des aiguilles d'une montre) dans le gros pas de vis (9) situé sous le volant, jusqu'à ce que ce dernier soit parfaitement stable.

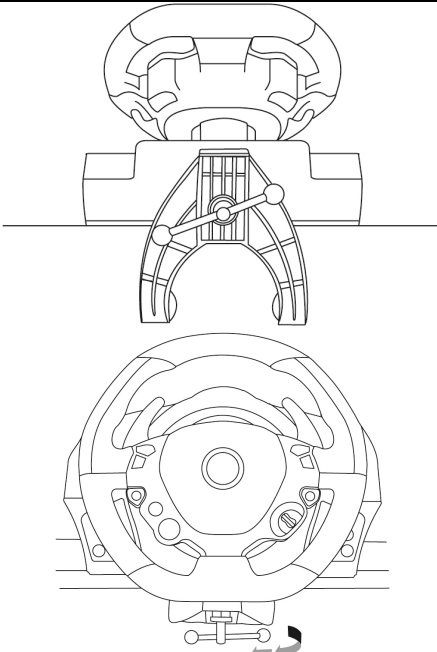
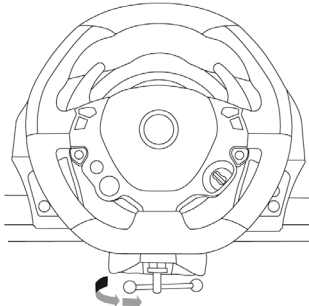
**TOUJOURS**



**JAMAIS**



**ATTENTION** : Ne jamais visser la vis de serrage seule sans le système de fixation !  
(au risque de détériorer le volant).

MONTAGE / DEMONTAGE	SENS
<p><b><u>Pour serrer :</u></b></p> <p><b>Vissez dans le sens inverse des aiguilles d'une montre</b></p>	
<p><b><u>Pour desserrer :</u></b></p> <p><b>Dévissez dans le sens des aiguilles d'une montre</b></p>	

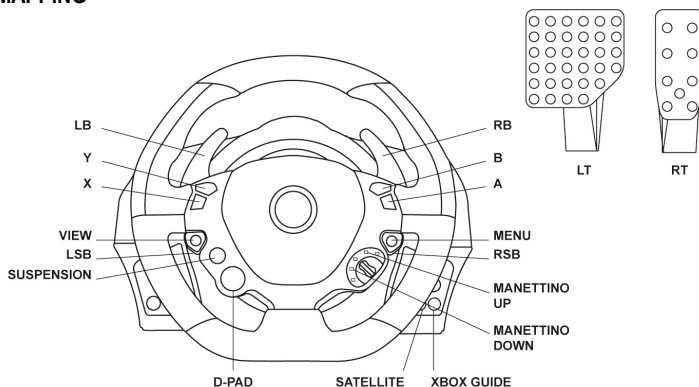
## Fixer la base du volant sur un cockpit

1. Placez la base du volant sur la tablette du cockpit
2. Vissez 2 vis M6 (non fournies) dans la tablette du cockpit et dans les 2 petits pas de vis situés sous le volant.  
*Important* : La longueur de ces 2 vis M6 ne doit pas dépasser l'épaisseur de votre support +12 mm pour ne pas endommager les composants internes à la base.
3. Si nécessaire, vissez en plus le système de fixation classique (dans le gros pas de vis).

## Fixer le pédalier sur un cockpit

1. Fixez le pédalier à l'aide des petits pas de vis situés sous ce dernier.
2. Vissez 2 vis M6 (non fournies) dans la tablette du cockpit et dans les 2 petits pas de vis situés sous le pédalier.  
*Important* : La longueur de ces 2 vis M6 ne doit pas dépasser l'épaisseur de votre support +10 mm pour ne pas endommager les composants internes au pédalier.

## MAPPING



Au lancement du produit sur Xbox One, certains boutons d'action du volant seront en doublon dans les jeux (ce qui signifie par exemple que 2 boutons différents auront la même fonction).

Prochainement, une mise à jour automatique de vos jeux (disponible lorsque votre console est connectée à Internet) ainsi qu'une mise à jour du firmware de votre volant permettront d'annuler ces doublons et d'augmenter le nombre de boutons distincts.

## METTRE A JOUR LE FIRMWARE DU VOLANT

Le firmware inclus dans la base du volant peut être mis à jour (ce qui signifie qu'il peut être mis à jour par des versions plus récentes comportant des améliorations produits).

Pour afficher la version de firmware de votre volant et le mettre à jour si nécessaire : sur PC, allez sur <http://support.thrustmaster.com>, cliquez sur **Volants / TX Racing Wheel** puis **Firmware** et suivez les instructions et la procédure de téléchargement et d'installation.

## INSTALLATION SUR XBOX ONE

1. Reliez le pédalier à son connecteur (17) situé à l'arrière de la base du volant.
2. Reliez le câble d'alimentation à son connecteur (14) situé à l'arrière de la base du volant.
3. Reliez le câble d'alimentation sur une prise de courant ayant le même voltage.



**Pour plus d'informations sur ce point, reportez-vous au chapitre RELIER LE VOLANT AU SECTEUR (p.3 de ce manuel).**

4. Branchez le connecteur USB (15) du volant sur l'un des ports USB de la console.

**Vous êtes maintenant prêt à jouer !**

## CALIBRAGE AUTOMATIQUE DU VOLANT ET DES PEDALES

La roue du volant s'autocalibre de manière automatique une fois le volant relié au secteur et le connecteur USB connecté.

Cette opération entraîne des mouvements rapides du volant de gauche à droite sur 900° avant de s'immobiliser au centre.



### **ATTENTION :**

**Lors des phases d'autocalibration de la roue du volant, ne jamais toucher au volant (au risque de fausser la calibration ou de se blesser).**

## CALIBRAGE AUTOMATIQUE DES PEDALES

Ne jamais débrancher ou brancher le pédalier de la base du volant lorsque celui-ci est connecté à la console ni en cours de jeu (pour ne pas fausser la calibration)

= le pédalier doit toujours être branché avant de relier le volant à la console.

Une fois le volant autocalibré et le jeu lancé, les pédales se calibrent automatiquement après quelques pressions.



### **ATTENTION :**

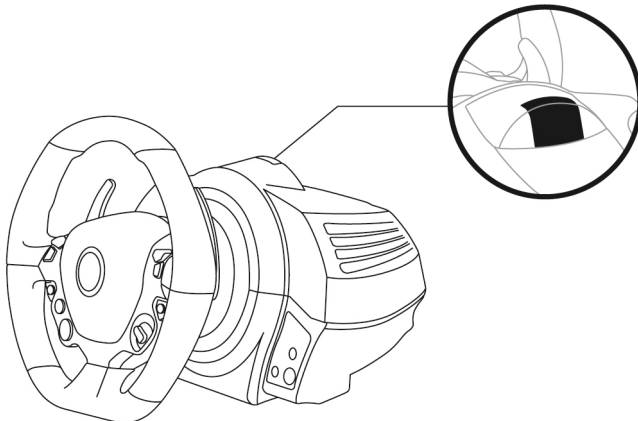
**Lors des phases d'autocalibration de la roue du volant et lorsque votre jeu se lance, ne jamais appuyer sur les pédales (au risque de fausser la calibration)**

**Si votre volant et vos pédales ne fonctionnent pas correctement ou semblent mal calibrés :**

Eteignez votre console, déconnectez entièrement votre volant, reconnectez tous les câbles (avec le câble d'alimentation secteur et le pédalier), redémarrez et relancez votre jeu.

## **APPAIRAGE CONTRÔLEUR (13)**

Afin d'être correctement détecté, l'appairage du contrôleur (*situé sur la coque supérieure de la base du volant*) doit toujours être dans l'angle de vision de la caméra KINECT™.



## **CAPTEUR DE TEMPERATURE INTERNE**

Par sécurité, la base du volant inclut un capteur de température.

Si la température devient trop élevée, votre volant peut s'éteindre soudainement.

Dans ce cas :

- Débranchez le câble d'alimentation secteur ainsi que la prise USB.
- Attendez que la base refroidisse complètement.
- Rebrancher l'ensemble.

## BOUTON MODE ET SON VOYANT LUMINEUX (6)

### Bouton MODE pour le pédalier

Le pédalier livré par défaut avec le TX Racing Wheel est de type 2 pédales.

Avec ce pédalier, la couleur du voyant lumineux doit toujours être rouge, sinon la pédale d'accélérateur ne fonctionnera pas.

Le TX Racing Wheel est également compatible avec des pédaliers Thrustmaster 3 pédales (*vendues séparément prochainement*) dont vous pouvez inverser électroniquement la pédale d'accélérateur et d'embrayage.

Pour ce faire, appuyez simplement sur le bouton MODE (6) pendant 2 secondes.

L'inversion ou non des pédales est alors instantanément enregistrée dans la mémoire interne du volant.

PEDALE D'ACCELERATEUR ET D'EMBRAYAGE	Couleur du voyant lumineux MODE (6)
NORMAL	ROUGE
INVERSEE	VERT

### Autres astuces pour le bouton MODE

Pour profiter d'autres astuces concernant le bouton MODE et son voyant lumineux, allez sur <http://support.thrustmaster.com>. Cliquez sur **Volants / TX Racing Wheel** puis **Manuel utilisateur** ou **FAQ**.

### AIDES & FAQ DIVERSES (non notifiées dans ce manuel)

Allez sur <http://support.thrustmaster.com>. Dans la section **Mise à jour et téléchargement**, cliquez sur **Volants / TX Racing Wheel** puis **Manuel utilisateur** ou **FAQ**.

### INFORMATIONS RELATIVES A LA GARANTIE AUX CONSOMMATEURS

Dans le monde entier, Guillemot Corporation S.A., ayant son siège social Place du Granier, B.P. 97143, 35571 Chantepie, France (ci-après « Guillemot ») garantit au consommateur que le présent produit Thrustmaster est exempt de défaut matériel et de vice de fabrication, et ce, pour une période de garantie qui correspond au délai pour intenter une action en conformité de ce produit. Dans les pays de l'Union Européenne, ce délai est de deux (2) ans à compter de la délivrance du produit Thrustmaster. Dans les autres pays, la durée de la période de garantie correspond au délai pour intenter une action en conformité du produit Thrustmaster selon la législation en vigueur dans le pays où le consommateur avait son domicile lors de l'achat du produit Thrustmaster (si une telle action en conformité n'existe pas dans ce pays alors la période de garantie est de un (1) an à compter de la date d'achat d'origine du produit Thrustmaster).

Si, au cours de la période de garantie, le produit semble défectueux, contactez immédiatement le Support Technique qui vous indiquera la procédure à suivre. Si le défaut est confirmé, le produit devra être retourné à son lieu d'achat (ou tout autre lieu indiqué par le Support Technique).

Dans le cadre de la garantie, le consommateur bénéficiera, au choix du Support Technique, d'un remplacement ou d'une remise en état de marche du produit défectueux. Si, pendant la période de garantie, le produit Thrustmaster fait l'objet d'une telle remise en état, toute période d'immobilisation d'au moins sept jours vient s'ajouter à la durée de la garantie qui restait à courir (cette période court à compter de la demande d'intervention du consommateur ou de la mise à disposition pour remise en état du produit en cause, si cette mise à disposition est postérieure à la demande d'intervention). Lorsque la loi applicable l'autorise, toute responsabilité de Guillemot et ses filiales (y compris pour les dommages indirects) se limite à la remise en état de marche ou au remplacement du produit Thrustmaster. Lorsque la loi applicable l'autorise, Guillemot exclut toutes garanties de qualité marchande ou d'adaptation à un usage particulier.

Cette garantie ne s'appliquera pas : (1) si le produit a été modifié, ouvert, altéré, ou a subi des dommages résultant d'une utilisation inappropriée ou abusive, d'une négligence, d'un accident, de l'usure normale, ou de toute autre cause non liée à un défaut matériel ou à un vice de fabrication (y compris, mais non limitativement, une combinaison du produit Thrustmaster avec tout élément inadapté, notamment alimentations électriques, batteries, chargeurs, ou tous autres éléments non-fournis par Guillemot pour ce produit) ; (2) si le produit a été utilisé en dehors du cadre privé, à des fins professionnelles ou commerciales (salles de jeu, formations, compétitions, par exemple). (3) en cas de non respect des instructions du Support Technique ; (4) aux logiciels, lesdits logiciels faisant l'objet d'une garantie spécifique ; (5) aux consommables (éléments à remplacer pendant la durée de vie du produit : piles, coussinets de casque audio, par exemple) ; (6) aux accessoires (câbles, étuis, housses, sacs, dragonnes, par exemple) ; (7) si le produit a été vendu aux enchères publiques.

Cette garantie n'est pas transférable.

Les droits légaux du consommateur au titre de la législation applicable dans son pays à la vente de biens de consommation ne sont pas affectés par la présente garantie.

Par exemple, en France, indépendamment de la présente garantie, le vendeur reste tenu de la garantie légale de conformité mentionnée aux articles L. 217-4 à L.217-12 du code de la consommation et de celle relative aux défauts (vices cachés) de la chose vendue, dans les conditions prévues aux articles 1641 à 1648 et 2232 du code civil. La loi applicable (c'est-à-dire la loi française) impose de reproduire les extraits de la loi française suivants:

Article L. 217-4 du code de la consommation:

*Le vendeur livre un bien conforme au contrat et répond des défauts de conformité existant lors de la délivrance.*

*Il répond également des défauts de conformité résultant de l'emballage, des instructions de montage ou de l'installation lorsque celle-ci a été mise à sa charge par le contrat ou a été réalisée sous sa responsabilité.*

Article L. 217-5 du code de la consommation:

*Le bien est conforme au contrat :*

*1° S'il est propre à l'usage habituellement attendu d'un bien semblable et, le cas échéant :*

*- s'il correspond à la description donnée par le vendeur et possède les qualités que celui-ci a présentées à l'acheteur sous forme d'échantillon ou de modèle ;*

*- s'il présente les qualités qu'un acheteur peut légitimement attendre eu égard aux déclarations publiques faites par le vendeur, par le producteur ou par son représentant, notamment dans la publicité ou l'étiquetage ;*

*2° Ou s'il présente les caractéristiques définies d'un commun accord par les parties ou est propre à tout usage spécial recherché par l'acheteur, porté à la connaissance du vendeur et que ce dernier a accepté.*

Article L. 217-12 du code de la consommation:

*L'action résultant du défaut de conformité se prescrit par deux ans à compter de la délivrance du bien.*

Article L. 217-16 du code de la consommation:

*Lorsque l'acheteur demande au vendeur, pendant le cours de la garantie commerciale qui lui a été consentie lors de l'acquisition ou de la réparation d'un bien meuble, une remise en état couverte par la garantie, toute période d'immobilisation d'au moins sept jours vient s'ajouter à la durée de la garantie qui restait à courir.*

*Cette période court à compter de la demande d'intervention de l'acheteur ou de la mise à disposition pour réparation du bien en cause, si cette mise à disposition est postérieure à la demande d'intervention.*

Article L. 1641 du code civil:

*Le vendeur est tenu de la garantie à raison des défauts cachés de la chose vendue qui la rendent impropre à l'usage auquel on la destine, ou qui diminuent tellement cet usage que l'acheteur ne l'aurait pas acquise, ou n'en aurait donné qu'un moindre prix, s'il les avait connus.*

Article L. 1648 alinéa 1<sup>er</sup> du code civil:

*L'action résultant des vices rédhibitoires doit être intentée par l'acquéreur dans un délai de deux ans à compter de la découverte du vice.*

### Stipulations additionnelles à la garantie

Pendant la période de garantie, Guillemot ne fournira, en principe, pas de pièce détachée car le Support Technique est seul habilité tant à ouvrir qu'à remettre en état tout produit Thrustmaster (à l'exception des remises en état que le Support Technique demanderait, par instructions écrites, au consommateur d'effectuer -par exemple en raison de la simplicité et de l'absence de confidentialité du processus de remise en état-, en lui fournissant, le cas échéant, la ou les pièces détachées nécessaires).

Compte tenu de ses cycles d'innovation et pour préserver ses savoir-faire et secrets, Guillemot ne fournira, en principe, ni notice de remise en état, ni pièce détachée pour tout produit Thrustmaster dont la période de garantie est expirée.

Aux États-Unis d'Amérique et au Canada, la présente garantie est limitée au mécanisme interne et au boîtier externe du produit. En aucun cas, Guillemot ou ses sociétés affiliées ne sauraient être tenues responsables envers qui que ce soit de tous dommages indirects ou dommages accessoires résultant du non respect des garanties expresses ou implicites. Certains États/Provinces n'autorisent pas la limitation sur la durée d'une garantie implicite, ou l'exclusion ou la limitation de responsabilité pour les dommages indirects ou accessoires, de sorte que les limitations ou exclusions ci-dessus peuvent ne pas vous être applicables. Cette garantie vous confère des droits spécifiques ; vous pouvez également bénéficier d'autres droits qui peuvent différer d'un État/Province à l'autre.

### Responsabilité

Lorsque la loi applicable l'autorise, Guillemot Corporation S.A. (ci-après « Guillemot ») et ses filiales excluent toute responsabilité pour tous dommages causés par un ou plusieurs des faits suivants: (1) le produit a été modifié, ouvert, altéré, (2) l'irrespect des instructions de montage, (3) l'utilisation inappropriée ou abusive, la négligence, l'accident (un choc, par exemple), (4) l'usure normale du produit, (5) l'utilisation du produit en dehors du cadre privé, à des fins professionnelles ou commerciales (salles de jeu, formations, compétitions, par exemple). Lorsque la loi applicable l'autorise, Guillemot et ses filiales excluent toute responsabilité pour tout dommage dont la cause n'est pas liée à un défaut matériel ou à un vice de fabrication du produit (y compris, mais non limitativement, tout dommage causé directement ou indirectement par tout logiciel, ou par une combinaison du produit Thrustmaster avec tout élément inadapté, notamment alimentations électriques, batteries, chargeurs, ou tous autres éléments non-fournis par Guillemot pour ce produit).

**THRUSTMASTER®**

**SUPPORT TECHNIQUE**

<http://support.thrustmaster.com>





## COPYRIGHT

© 2017 Guillemot Corporation S.A. Tous droits réservés. Thrustmaster® est une marque déposée de Guillemot Corporation S.A. Ferrari® est une marque déposée de Ferrari Idea S.p.A.  
Toutes les autres marques sont la propriété de leurs propriétaires respectifs. Illustrations non contractuelles. Le contenu, la conception et les spécifications sont susceptibles de changer sans préavis et de varier selon les pays. Fabriqué en Chine.  
Produit et distribué par Guillemot Corporation S.A.

## RECOMMANDATION RELATIVE A LA PROTECTION DE L'ENVIRONNEMENT



\* Dans l'Union Européenne : En fin de vie, ce produit ne doit pas être éliminé avec les déchets ménagers normaux mais déposé à un point de collecte des déchets d'équipements électriques et électroniques en vue de son recyclage. Ceci est confirmé par le symbole figurant sur le produit, le manuel utilisateur ou l'emballage.

En fonction de leurs caractéristiques, les matériaux peuvent être recyclés. Par le recyclage et par les autres formes de valorisation des déchets d'équipements électriques et électroniques, vous contribuez de manière significative à la protection de l'environnement. Veuillez consulter les autorités locales qui vous indiqueront le point de collecte concerné.

Dans les autres pays : Veuillez vous reporter aux législations locales relatives au recyclage des équipements électriques et électroniques.

Informations à conserver. Les couleurs et décorations peuvent varier.

Il est recommandé de retirer les attaches en plastique et les adhésifs avant d'utiliser le produit.

[www.thrustmaster.com](http://www.thrustmaster.com)

*\*Applicable à l'UE et la Turquie uniquement*

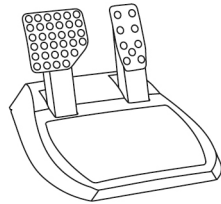
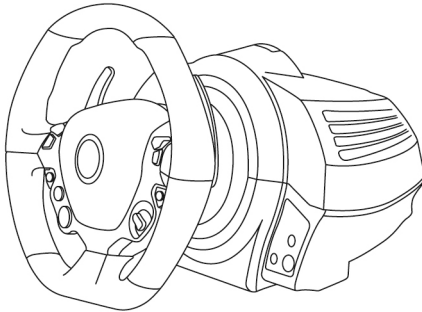


# TX Racing Wheel

FERRARI 458 ITALIA EDITION

FÜR XBOX ONE

Benutzerhandbuch

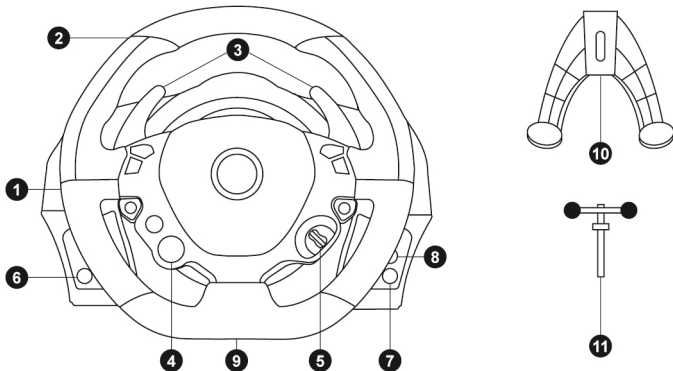


## **WARNUNG:**

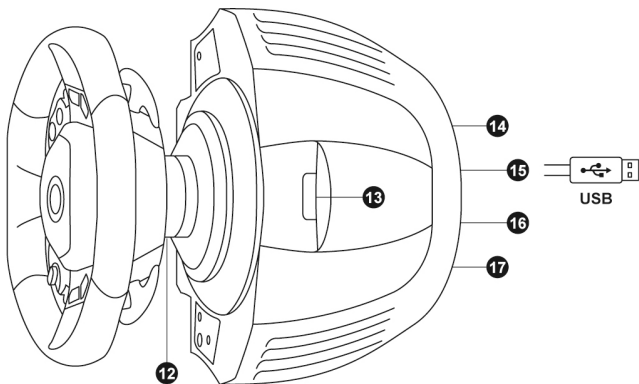
Um zu gewährleisten, daß Ihr TX Racing Wheel mit Spielen für die XBOX ONE korrekt funktioniert, ist es eventuell erforderlich die automatischen Aktualisierungen für das Spiel zu installieren

*(verfügbar wenn Ihre Konsole mit dem Internet verbunden ist).*

# TECHNISCHE SPEZIFIKATIONEN



- |   |   |
|---|---|
| 1 Rennlenkerbasis                             | 7 Xbox Guide Button   |
| 2 Lenkkranz                                   | 8 Weiße Leuchtanzeige   |
| 3 2 sequenzielle Schaltwippen (Hoch & Runter) | 9 Großes Schraubgewinde (für Befestigungs-System und Feststellschraube) |
| 4 Multidirektionales D-Pad (Engine Start)     | 10 Befestigungssystem   |
| 5 Manettino (2 Positionen)                    | 11 Feststellschraube aus Metall   |
| 6 MODE-Button + Rot/Grün Leuchtanzeige        |   |



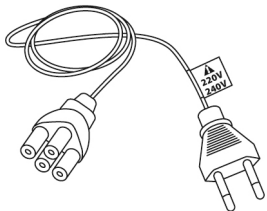
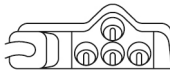
- |   |   |
|---|---|
| 12 Thrustmaster Quick Release   | 15 USB-Kabel und Stecker des Rennlenkers                                    |
| 13 Controller-Kopplung (zur Kinect™-Erkennung)                                | 16 Getriebe-Anschluss<br><i>(separat erhältlich, noch nicht erhältlich)</i> |
| 14 Stromanschluss (Typ A oder B)<br><i>(von Land zu Land unterschiedlich)</i> | 17 Pedalset-Anschluss   |

# ANSCHLUSS DES RENNLENKERS AN DAS STROMNETZ: BITTE SORGFÄLTIG LESEN

Der Stromanschluss ihres Rennlenkers variiert je nach Land in dem sie ihr Gerät erworben haben. Der Stromanschluss kann folgendermaßen sein:

## Intern mit:

- \* einer Netzstromanschluss-Buchse in der Lenkerbasis vom Typ A
- und einem 220-240V Stromkabel
- = ausschließlich nur mit 220-240V Netzspannung zu verwenden.

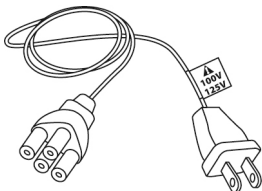


**Das 220-240V Kabel niemals an eine 100-130V Steckdose anschließen!  
Dieses Kabel niemals an einen Stromadapter anschließen!**



## Intern mit:

- \* einer Netzstromanschluss-Buchse in der Lenkerbasis vom Typ A
- und einem 100-125V Stromkabel
- = ausschließlich nur mit 100-125V Netzspannung zu verwenden.



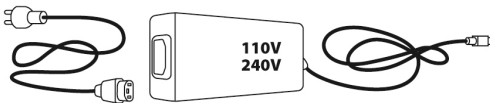
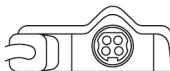
**Das 100-125V Kabel niemals an eine 220-240V Steckdose anschließen!  
Dieses Kabel niemals an einen Stromadapter anschließen!**



**WICHTIG:** falls Sie die Stromstärke der Gegend, in der Sie den Rennlenker benutzen wollen, nicht kennen, fragen Sie bitte bei Ihrem Stromanbieter nach.

## Extern mit:

- \* einem externen Netzteil zur Verbindung mit der Stromanschluss-Buchse an der Basis des Rennlenkers mit einem Stecker vom Typ B
- \* einem Stromkabel
- = Passend für alle Stromstärken von 110-240V.



## WARNUNG

Bevor Sie dieses Produkt benutzen, lesen Sie bitte diese Dokumentation sorgfältig durch und bewahren Sie diese sicher auf falls Sie später etwas nachlesen müssen.



### **Warnung – Elektrischer Schlag**

- \* Lagern Sie das Produkt an einem trockenen Ort und setzen Sie es weder Staub noch direktem Sonnenlicht aus.
- \* Beachten Sie die Anschlussrichtung.
- \* Verdrehen Sie keine Kabel oder ziehen direkt an deren Steckern
- \* Schütten Sie keine Flüssigkeiten auf das Produkt oder dessen Anschlüsse.
- \* Schließen Sie das Produkt nicht kurz.
- \* Zerlegen Sie das Produkt niemals, werfen es ins Feuer oder setzen es hohen Temperaturen aus.
- \* Nutzen Sie kein anderes Stromkabel als das mitgelieferte.
- \* Nutzen Sie das Stromkabel nicht, wenn dieses oder deren Stecker brüchig oder beschädigt sind.
- \* Achten Sie auf den festen Sitz des Stromkabels in der Steckdose und in der Anschluss-Buchse hinten an der Basis des Lenkers.
- \* Nicht öffnen. Keine vom Nutzer zu ersetzenden Teile im Innern. Überlassen Sie die Wartung einer vom Hersteller angegeben Agentur oder einem qualifizierten Techniker.
- \* Nutzen Sie ausschließlich vom Hersteller empfohlenes Zubehör/Accessoires.
- \* Falls der Lenker sich ungewöhnlich verhält (seltsame Geräusche, Hitze oder Gerüche abgibt), stoppen Sie sofort dessen Benutzung, trennen das Stromkabel vom Netz und ziehen alle anderen Kabel ab.
- \* Sollten Sie den Lenker für eine längere Zeit nicht benutzen, trennen Sie diesen vom Stromnetz.



### **Lüftungsschlitze**

Achten Sie darauf keine der Lüftungsschlitze an der Lenkerbasis zu verdecken. Für eine optimale Belüftung beachten Sie bitte die folgenden Hinweise:

- \* Stellen Sie die Basis mindestens 10 cm entfernt von Wänden auf.
- \* Stellen Sie die Basis nicht in engen Zwischenräumen auf.
- \* Decken Sie die Basis niemals ab.
- \* Vermeiden Sie auf jeden Fall Staubbildung an den Lüftungsschlitzen.



**Benutzen Sie aus Sicherheitsgründen das Pedalset niemals barfuß oder in Socken.  
THRUSTMASTER® ÜBERNIMMT KEINERLEI HAFTUNG BEI VERLETZUNGEN DURCH  
EINSATZ DES PEDALSETS OHNE SCHUHE.**



### **Warnung - Verletzungen durch Force Feedback und wiederholte Bewegungen**

Spielen mit einem Force-Feedback-Lenkrad kann Muskel- oder Gelenkschmerzen verursachen. Um Probleme zu vermeiden:

- \* Vermeiden Sie längere Spielzeiten.
- \* Pausieren Sie für 10 bis 15 Minuten nach einer Stunde Spiel.
- \* Wenn Sie irgendeine Müdigkeit oder Schmerzen in den Händen, Handgelenken, Armen, Beinen oder Füßen fühlen, unterbrechen Sie das Spiel und ruhen für ein paar Stunden, bevor Sie wieder zu spielen beginnen.



**Warnung - Verletzungen durch Force Feedback und wiederholte Bewegungen  
(Fortsetzung)**

- \* Wenn Sie wieder zu spielen beginnen und die oben beschriebenen Symptome oder Schmerzen weiter bestehen, unterbrechen Sie das Spiel und konsultieren Sie Ihren Arzt.
- \* Außerhalb der Reichweite von Kindern aufbewahren.
- \* Lassen Sie immer beide Hände während des Spielens am Lenkrad positioniert, ohne dieses völlig loszulassen.
- \* Platzieren Sie Ihre Hände oder Finger während des Spielens niemals unter die Pedale oder in deren Nähe.
- \* Stecken Sie weder Ihren Arm noch Ihre Hand während der Kalibrierung oder im Spiel durch die Speichen des Lenkkranzes.
- \* Überprüfen Sie den festen Sitz der Lenkerbasis entsprechend der Anleitungen dieses Handbuchs.

**SCHWERES PRODUKT**



Nur für den Gebrauch von Personen über  
16 Jahre oder älter



Lassen Sie das Produkt niemals auf sich  
oder andere fallen!

**IMMER**



**NIE**



**NIE**





### **Achtung – Quetschgefahr am Pedalset während des Spielens**

- \* Bewahren Sie das Pedalset außerhalb der Reichweite von Kindern auf.
- \* Bringen Sie während des Spielens niemals Ihre Finger auf oder in die Nähe der Seiten der Pedale.
- \* Bringen Sie während des Spielens niemals Ihre Finger auf oder in die Nähe der Pedalrückseite.
- \* Bringen Sie während des Spielens niemals Ihre Finger auf oder in die Nähe der Pedalvorderseite.

NIE



NIE



NIE



### **Achtung – Quetschgefahr am Pedalset nach dem Spielen**

- \* Bewahren Sie das Pedalset sicher außerhalb der Reichweite von Kindern auf.

## MONTAGE DES FERRARI 458 ITALIA RENNLENKERS AUF DIE BASIS

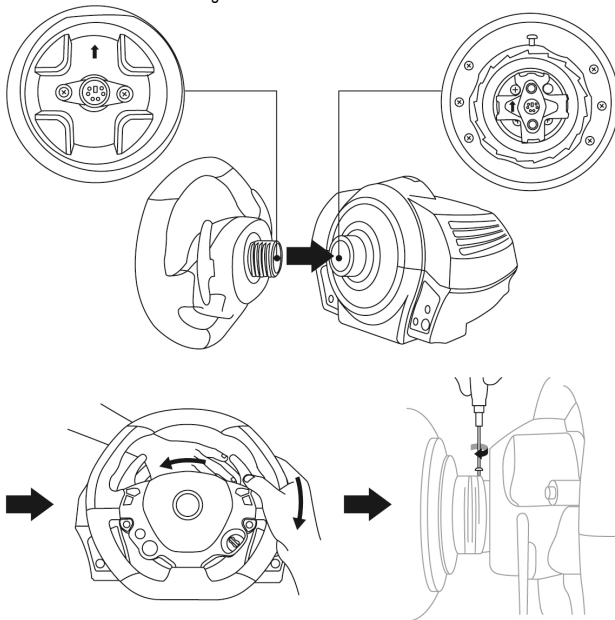
Richten Sie die Positionen der Anschlüsse mittels der Pfeile aus:

**Basisanschluss (1):** Pfeil zeigt nach oben

**Rennlenkeranschluss (2):** Pfeil zeigt nach oben

Sind die Anschlüsse korrekt positioniert, drehen Sie einfach den Thrustmaster Quick Release (12) Ring des Gerätes entgegen dem Uhrzeigersinn, während Sie den Rennlenker (2) in Position halten.

Drehen Sie dann den Ring soviel Sie können. Um dies zu bewerkstelligen, halten Sie den Ring in Position und drehen den Rennlenker im Uhrzeigersinn.



Haben Sie den FERRARI 458 ITALIA Rennlenker montiert, drehen Sie diesen um 180° (mit Blick auf das Lenkrad sollte das FERRARI-Logo aufrecht stehen), um die kleine Befestigungsschraube des Thrustmaster Quick Release (12) zu erreichen. Mittels eines großen Kreuzschlitz-Schraubendrehers ziehen Sie die Schraube im Uhrzeigersinn fest. Bitte üben Sie dabei keine exzessive Kraft aus.



**Bitte üben Sie keine exzessive Kraft beim Eindrehen der kleinen Befestigungsschraube aus (benutzen Sie einen Kreuzschlitz-Schraubendreher)!**

**Stoppen Sie das Eindrehen der Schraube, wenn Sie einen Widerstand bemerken.**

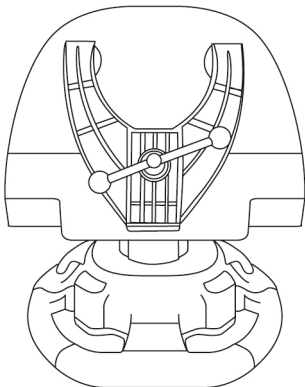


## BEFESTIGEN DES RENNLENKERS

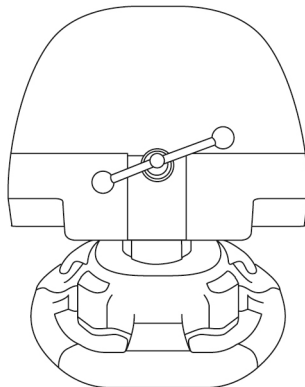
### Befestigen Sie den Rennlenker auf einem Tisch oder Schreibtisch

1. Platzieren Sie den Lenker auf einem Tisch oder einer anderen waagerechten, ebenen und stabilen Oberfläche.
2. Stecken Sie die Befestigungsschraube (11) in das Befestigungssystem (10). Ziehen Sie dann die Schraube entgegen dem Uhrzeigersinn im Schraubgewinde (9) unterhalb des Lenkers, bis das Gerät sicher und perfekt stabil auf der Oberfläche montiert ist.

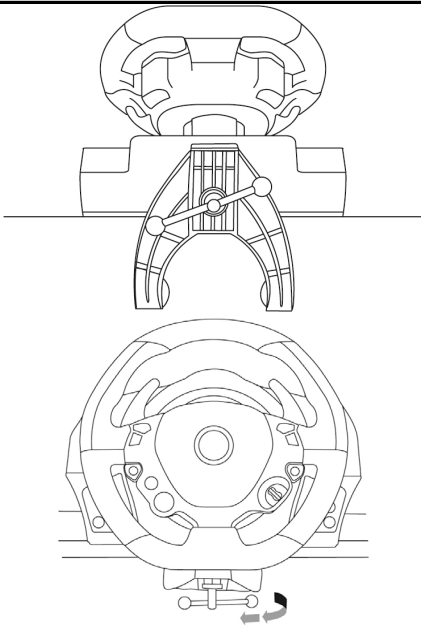
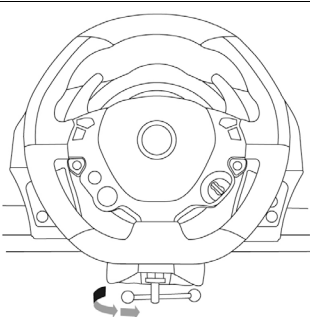
IMMER



NIE



**ACHTUNG:** Ziehen Sie die Schraube niemals ohne das Befestigungssystem fest!  
(Dies könnte Ihren Rennlenker beschädigen).

MONTAGE / ABMONTIEREN	RICHTUNG
<p><b>Montieren:</b></p> <p><i>Drehen der Schraube entgegen dem Uhrzeigersinn</i></p>	
<p><b>Abmontieren:</b></p> <p><i>Drehen der Schraube im Uhrzeigersinn</i></p>	

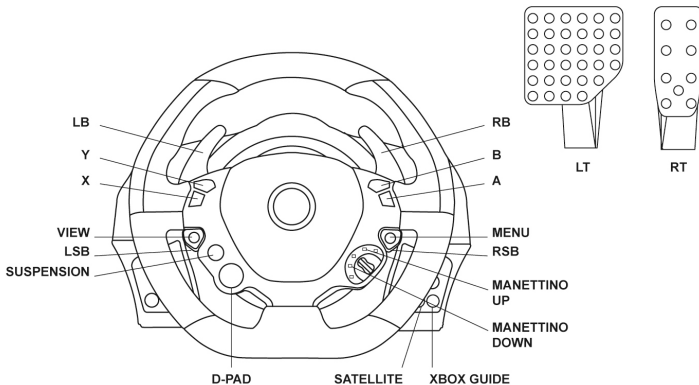
## Montage der Basis des Rennlenkers in einem Cockpit

1. Platzieren Sie die Basis des Rennlenkers auf der Cockpit-Ablage.
2. Drehen Sie zwei M6 Schrauben (nicht enthalten) durch die Cockpit-Ablage und führen diese in die beiden kleinen Schraubgewinde unterhalb des Rennlenkers ein.  
*Achtung:* Die Länge der Schrauben sollte die Dicke der Ablage plus zusätzlich 12 mm nicht überschreiten. Längere Schrauben könnten die internen Komponenten der Lenkerbasis beschädigen.
3. Falls erforderlich, schrauben Sie das Standard-Befestigungssystem mittels der Befestigungsschraube für das große Schraubgewinde an.

## Montage des Pedalsets in ein Cockpit

1. Montieren Sie das Pedal-Set mittels der darunter liegenden, kleinen Gewindebohrungen.
  2. Drehen Sie zwei M6 Schrauben (nicht enthalten) durch die Cockpit-Ablage und führen diese in die beiden kleinen Schraubgewinde unterhalb des Pedalsets.
- Achtung:* Die Länge der Schrauben sollte die Dicke der Ablage plus zusätzlich 10 mm nicht überschreiten. Längere Schrauben könnten die internen Komponenten des Pedalsets beschädigen.

## MAPPING



Bei Produktverfügbarkeit für die Xbox One, werden die verschiedenen Actionbuttons auf dem Lenkrad die entsprechend identischen Merkmale im Spiel haben.

In naher Zukunft wird die automatische Aktualisierung Ihrer Spiele (automatische Aktualisierungen sind verfügbar sobald sich die Konsole mit dem Internet verbinden kann) und der Firmware Ihres Rennlenkers Sie in die Lage versetzen diese Duplikate zu entfernen und somit die Zahl der individuellen Buttons zu erhöhen.

## UPGRADING DER FIRMWARE DES RENNLENKERS

Die in Ihrer Rennlenkerbasis enthaltene Firmware kann durch eine produktverbessernde und aktuellere Firmware heraufgestuft (Upgrading) werden.

Um die aktuelle Version der Firmware Ihres Rennlenkrads anzuzeigen und ob eine Aktualisierung eventuell verfügbar ist, rufen Sie auf Ihrem PC die Website <http://support.thrustmaster.com> auf. Dann klicken Sie auf **Lenkräder / TX Racing Wheel**, wählen **Firmware** aus und folgen den Anweisungen zum Download und der Installation.

## MONTAGE DES RENNLENKERS BEI DER XBOX ONE

1. Verbinden Sie das Pedalset mit dem Anschluss **(17)** auf der Rückseite der Rennlenkerbasis.
2. Verbinden Sie das Netzkabel mit dem Anschluss **(14)** auf der Rückseite der Rennlenkerbasis.
3. Stecken Sie das Netzkabel in eine Steckdose mit der richtigen Spannung.



**Ausführlichere Informationen dazu erhalten Sie auf Seite 3 dieses Handbuches im Kapitel ANSCHLUSS DES RENNLENKERS AN DAS STROMNETZ.**

4. Stecken Sie den USB-Stecker des Rennlenkers **(15)** in einen der USB-Anschlüsse an der Konsole.

**Sie können nun an den Start gehen und Ihr Rennen bestreiten!**

## AUTOMATISCHE RENNLENKER- UND PEDALSET-KALIBRIERUNG

Der Rennlenker kalibriert sich automatisch selbst beim Anschluss desselben an die Stromversorgung und den USB-Anschluss an der Konsole.

Während dieser Phase dreht sich der Lenkkranz schnell noch rechts und links und deckt dabei einen Rotationswinkel von 900° ab. Danach stoppt der Lenkkranz in der mittigen Position.



### **WARNUNG:**

**Berühren Sie während der Selbstkalibrierung des Lenkers diesen auf gar keinen Fall!  
(Dies kann zu Kalibrierungsfehlern und/oder Verletzungen Ihrer Person führen).**

## AUTOMATISCHE KALIBRIERUNG DES PEDALSETS

Verbinden/Trennen Sie das Pedalset niemals mit/von der Rennlenkerbasis, wenn diese mit der Konsole verbunden ist oder während eines Spiels. Dies kann zu Kalibrierungsfehlern führen. Schließen Sie das Pedalset ausschließlich nur an den Rennlenker an bevor dieser an der Konsole angeschlossen ist. Nach der Selbstkalibrierung des Lenkers und nach dem Spielstart, werden die Pedale nach mehrmaligem Niederdrücken automatisch kalibriert.



### **WARNUNG:**

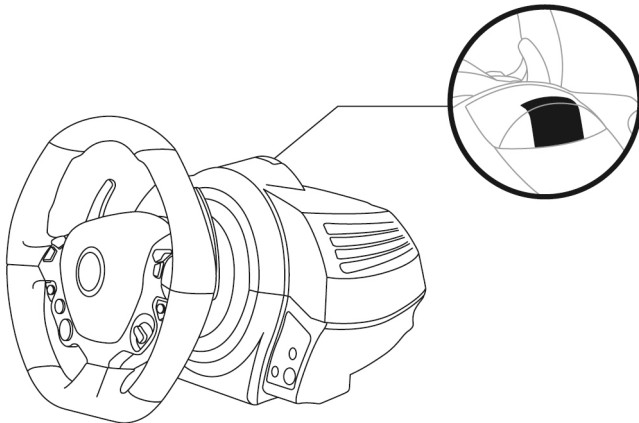
**Betätigen Sie die Pedale niemals während der Selbstkalibrierung des Lenkers oder während ein Spiel geladen wird! (Dies kann zu Kalibrierungsfehlern führen)**

**Falls Ihr Rennlenker und das Pedalset nicht ordnungsgemäß funktionieren oder die Kalibrierung nicht korrekt zu sein scheint:**

Schalten Sie Ihre Konsole aus. Trennen Sie den Rennlenker komplett von der Konsole. Schließen Sie die Kabel (auch Netz- und Pedalset-Kabel) erneut an. Starten Sie dann Ihre Konsole und das Spiel neu.

### **Kontroller-Kopplung (13)**

Um die korrekte Erkennung Ihres Rennlenkers zu gewährleisten, muß die Kontroller-Kopplung des Gerätes *(zu finden in der oberen Sektion der Rennlenkerbasis)* immer im Sichtfeld der der KINECT™ Kamera sein.



### **INTERNER TEMPERATUR-MESSFÜHLER**

Aus Sicherheitsgründen verfügt die Rennlenkerbasis über einen Temperatur-Sensor.

Falls die Temperatur des Gerätes zu hoch wird, könnte Ihr Rennlenker plötzlich abgeschaltet werden.

In diesem Fall:

- Ziehen Sie das Netzkabel und den USB-Stecker des Gerätes ab.
- Warten Sie, bis die Rennlenkerbasis sich vollständig abgekühlt hat.
- Schließen Sie das Gerät dann erneut wieder an.

## MODE-BUTTON UND LEUCHTANZEIGE (6)

### MODE-Button für das Pedalset

Das inklusive Pedalset des TX Racing Wheels hat 2 Pedale.

Sollten Sie dieses Pedalset nutzen, vergewissern Sie sich, daß die Leuchtanzeige rot anzeigt. Andernfalls funktioniert das Gaspedal nicht korrekt.

Das TX Racing Wheel ist kompatibel mit Thrustmasters Pedalsets, die 3 Pedale aufweisen (*separat erhältlich/zukünftiges Erscheinen*). Diese versetzen Sie in die Lage die Gas- und Kupplungspedale elektronisch zu vertauschen.

Um dies zu bewerkstelligen, drücken Sie einfach den MODE-Button (6) für 2 Sekunden.

Der interne Speicher des Rennlenkers speichert ob die Pedale vertauscht wurden oder nicht.

GAS- UND KUPPLUNGSPEDALE	Farbe der MODE Leuchtanzeige (6)
NORMAL	ROT
VERTAUSCHT	GRÜN

### Andere Hinweise für den MODE-Button

Um mehr über den MODE-Button und die Leuchtanzeige zu erfahren, besuchen Sie bitte die Website <http://support.thrustmaster.com>. Dann klicken Sie auf **Lenkräder / TX Racing Wheel** und wählen dann **Benutzerhandbuch** oder **FAQ** aus.

### HILFE UND HÄUFIG GESTELLTE FRAGEN (in diesem Handbuch nicht enthalten)

Gehen Sie bitte auf <http://support.thrustmaster.com>. Dann klicken Sie auf **Lenkräder / TX Racing Wheel** und wählen dann **Benutzerhandbuch** oder **FAQ** aus.

## **Kunden-Garantie-Information**

Guillemot Corporation S.A. mit Hauptfirmensitz in Place du Granier, B.P. 97143, 35571 Chantepie, France (fortfolgend "Guillemot") garantiert Kunden weltweit, daß dieses Thrustmaster Produkt frei von Mängeln in Material und Verarbeitung für eine Gewährleistungsfrist ist, die mit der Frist für eine Mängelrüge bezüglich des Produktes übereinstimmt. In den Ländern der Europäischen Union entspricht diese einem Zeitraum von zwei (2) Jahren ab Kaufdatum des Thrustmaster Produktes. In anderen Ländern entspricht die Gewährleistungsfrist der zeitlichen Begrenzung für eine Mängelrüge bezüglich des Thrustmaster Produktes in Übereinstimmung mit anwendbarem Recht des Landes, in dem der Kunde zum Zeitpunkt des Erwerbs eines Thrustmaster Produktes wohnhaft ist. Sollte eine entsprechende Regelung in dem entsprechenden Land nicht existieren, umfasst die Gewährleistungspflicht einen Zeitraum von einem (1) Jahr ab dem originären Kaufdatum des Thrustmaster Produktes.

Sollten bei dem Produkt innerhalb der Gewährleistungsfrist Defekte auftreten, kontaktieren Sie unverzüglich den technischen Kundendienst, der die weitere Vorgehensweise anzeigt. Wurde der Defekt bestätigt, muß das Produkt an die Verkaufsstelle (oder an eine andere Stelle, je nach Maßgabe des technischen Kundendienstes) retourniert werden.

Im Rahmen dieser Garantie sollte das defekte Produkt des Kunden, je nach Entscheidung des technischen Kundendienstes, entweder ausgetauscht oder repariert werden. Sollte während der Garantiezeit das Thrustmaster Produkt einer derartigen Instandsetzung unterliegen und das Produkt während eines Zeitraums von mindestens sieben (7) Tagen nicht benutzbar sein, wird diese Zeit der restlichen Garantiezeit hinzugefügt. Diese Frist läuft ab dem Zeitpunkt, an dem der Wunsch des Verbrauchers bezüglich einer Intervention vorliegt oder ab dem Tag, an dem das fragliche Produkt zur Instandsetzung zur Verfügung steht, falls das Datum, an dem das Produkt zur Instandsetzung zur Verfügung steht, dem Datum des Antrags auf Intervention nachfolgt. Wenn nach geltendem Recht zulässig, beschränkt sich die volle Haftung von Guillemot und ihrer Tochtergesellschaften auf die Reparatur oder den Austausch des Thrustmaster Produktes (inklusive Folgeschäden). Wenn nach geltendem Recht zulässig, lehnt Guillemot alle Gewährleistungen der Marktgängigkeit oder Eignung für einen bestimmten Zweck ab.

Der Gewährleistungsanspruch verfällt: (1) Falls das Produkt modifiziert, geöffnet, verändert oder ein Schaden durch unsachgemäßen oder missbräuchlichen Gebrauch hervorgerufen wurde, sowie durch Fahrlässigkeit, einen Unfall, Verschleiß oder irgendeinem anderen Grund – aber nicht durch Material- oder Herstellungsfehler (einschließlich, aber nicht beschränkt auf, die Kombination der Thrustmaster Produkte mit ungeeigneten Elementen, insbesondere Netzteile, Akkus, Ladegeräte, oder andere Elemente, die von Guillemot für dieses Produkt nicht mitgeliefert wurden); (2) Falls das Produkt für eine andere Nutzung als zum privaten Hausgebrauch, einschließlich für professionelle oder kommerzielle Zwecke (z. B. Spielhallen, Training, Wettkämpfe) verwendet wird; (3) Im Falle der Nichteinhaltung der durch den technischen Support erteilten Anweisungen; (4) Durch Software. Die besagte Software ist Gegenstand einer speziellen Garantie; (5) Bei Verbrauchsmaterialien (Elemente, die während der Produktlebensdauer ausgetauscht werden, wie z. B. Einwegbatterien, Ohrpolster für ein Audioheadset oder für Kopfhörer); (6) Bei Accessoires (z. B. Kabel, Etais, Taschen, Beutel, Handgelenk-Riemen); (7) Falls das Produkt in einer öffentlichen Versteigerung verkauft wurde. Diese Garantie ist nicht übertragbar. Die Rechte des Kunden in Übereinstimmung mit anwendbarem Recht bezüglich des Verkaufs auf Konsumgüter im Land der/der Kunden/Kundin wird durch diese Garantie nicht beeinträchtigt.

### Zusätzliche Gewährleistungsbestimmungen

Während der Garantiezeit bietet Guillemot grundsätzlich keine Ersatzteile an, da der technische Kundendienst der einzige autorisierte Partner zum Öffnen und/oder Instandsetzen jedweden Thrustmaster-Produkts ist (mit Ausnahme von irgendwelchen Instandsetzungsverfahren, die der Kunde nach Maßgabe des technischen Kundendienstes und durch schriftliche Instruktionen sowie der Zurverfügungstellung des/der eventuell erforderlichen Ersatzteil(s)(e) selbst in der Lage ist durchzuführen – zum Beispiel aufgrund der Einfachheit und einer nicht erforderlichen Geheimhaltung des Instandsetzungsverfahrens).

Aufgrund seiner Innovationszyklen und um sein Know-how und seine Geschäftsgeheimnisse zu schützen, bietet Guillemot grundsätzlich keine Instandsetzungs-Benachrichtigung oder Ersatzteile für alle Thrustmaster Produkte an, deren Garantiezeit abgelaufen ist.

### Haftung

Wenn nach dem anwendbaren Recht zulässig, lehnen Guillemot Corporation S.A. (fortfolgend "Guillemot") und ihre Tochtergesellschaften jegliche Haftung für Schäden, die auf eine oder mehrere der folgenden Ursachen zurückzuführen sind, ab: (1) das Produkt wurde modifiziert, geöffnet oder geändert; (2) Nichtbefolgung der Montageanleitung; (3) unangebrachte Nutzung, Fahrlässigkeit, Unfall (z. B. ein Aufprall); (4) normalem Verschleiß; (5) Die Verwendung des Produkts für jedwede andere Nutzung als zum privaten Hausgebrauch, einschließlich professionelle oder kommerzielle Zwecke (z. B. Spielhallen, Training, Wettkämpfe). Wenn nach anwendbarem Recht zulässig, lehnen Guillemot und seine Niederlassungen jegliche Haftung für Schäden, die nicht auf einen Material- oder Herstellungsfehler in Bezug auf das Produkt beruhen (einschließlich, aber nicht beschränkt auf, etwaige Schäden, die direkt oder indirekt durch Software oder durch die Kombination der Thrustmaster Produkte mit ungeeigneten Elementen, insbesondere Netzteile, Akkus, Ladegeräte, oder andere Elemente, die von Guillemot für dieses Produkt nicht geliefert wurden), ab.

**THRUSTMASTER®**

**TECHNISCHER SUPPORT**

<http://support.thrustmaster.com>





## COPYRIGHT

© Guillemot Corporation S.A. 2017. Alle Rechte vorbehalten. Thrustmaster® ist ein eingetragenes Warenzeichen der Guillemot Corporation S.A. Ferrari® ist ein eingetragenes Warenzeichen von Ferrari Idea S.p.A. Alle anderen Handelsmarken sind im Besitz Ihrer jeweiligen Eigentümer. Illustrationen nicht verbindlich. Inhalte, Design und Spezifikationen können ohne vorherige Ankündigung geändert werden und können von Land zu Land unterschiedlich sein. Hergestellt in China.

## Hinweise zum Umweltschutz



In der Europäischen Union: Dieses Produkt darf nach Ende seiner Lebensdauer nicht über den Hausmüll entsorgt werden, sondern muss an einem Sammelpunkt für das Recycling von elektrischen und elektronischen Geräten abgegeben werden.

Das Symbol auf dem Produkt, der Gebrauchsanleitung oder der Verpackung weist darauf hin.

Die Werkstoffe sind gemäß ihrer Kennzeichnung wiederverwertbar. Mit der Wiederverwertung, der stofflichen Verwertung oder anderen Formen von Altgeräten leisten Sie einen wichtigen Beitrag zum Schutz unserer Umwelt. Bitte erfragen Sie bei der Gemeindeverwaltung die zuständige Entsorgungsstelle.

Für alle anderen Länder: Bitte beachten Sie die lokalen Entsorgungsrichtlinien/-Gesetze bezüglich elektrischen und elektronischen Equipments.

Wichtige Informationen. Die Farben und Verzierungen können abweichen.  
Plastikhalterungen und Aufkleber bitte vor der Nutzung des Produktes entfernen.

[www.thrustmaster.com](http://www.thrustmaster.com)

Nur in der EU und der Türkei anwendbar

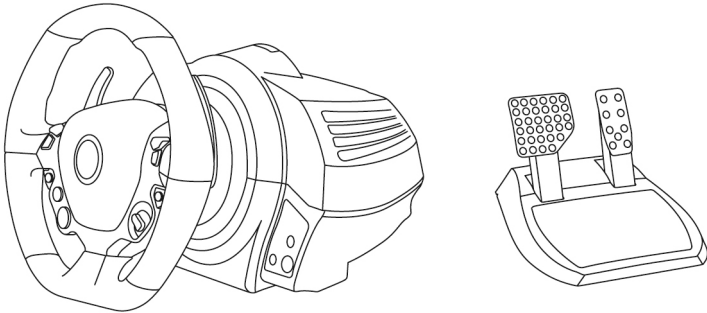


# TX Racing Wheel

FERRARI 458 ITALIA EDITION

VOOR XBOX ONE

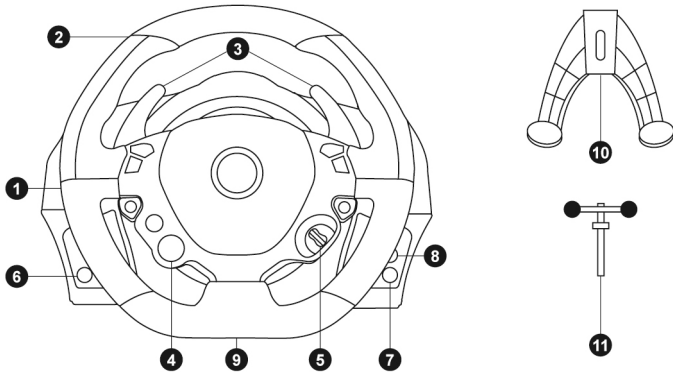
Handleiding



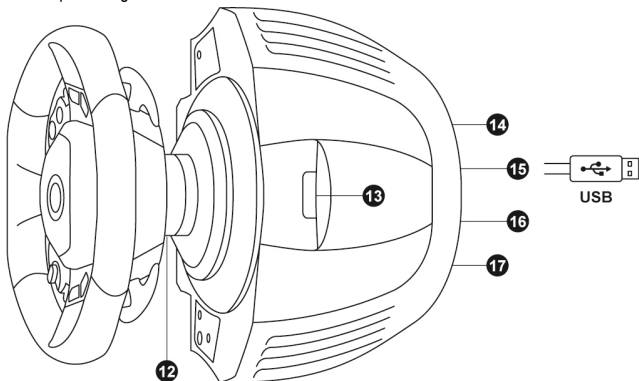
## **WAARSCHUWING:**

Om er zeker van te zijn dat het TX Racing Wheel correct werkt met games voor de XBOX ONE moet u mogelijk de automatische updates voor de games installeren (beschikbaar als uw gameconsole is verbonden met internet).

## TECHNISCHE SPECIFICATIES



- |   |   |
|---|---|
| 1 Voet van racestuur                                  | 7 Xbox Guide-knop   |
| 2 Racestuur   | 8 Witte indicator   |
| 3 Twee sequentiële schakelflippers (omhoog en omlaag) | 9 Groot schroefgat (voor bevestigingssysteem en -schroef) |
| 4 Multidirectionele D-pad (Engine Start)              | 10 Bevestigingssysteem                                    |
| 5 Manettino-knop (2 standen)                          | 11 Metalen bevestigingsschroef                            |
| 6 MODE-knop + rood/groen-indicator                    |   |



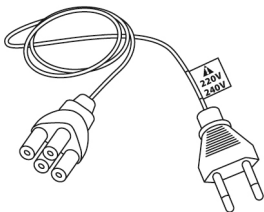
- |  |   |
|--|---|
| 12 Thrustmaster Quick Release  | 15 USB-kabel en -connector voor racestuur                                     |
| 13 Controller koppelen (voor herkenning van Kinect™)                 | 16 Connector voor versnellingsbak (wordt apart verkocht, toekomstige release) |
| 14 Connector voor netstroom (type A of B) (kan per land verschillen) | 17 Connector voor pedaalset   |

## HET RACESTUUR AANSLUITEN OP DE NETSTROOM = LEES DIT VOORDAT U VERDER GAAT!

Het land waarin u het racestuur hebt aangeschaft, is bepalend voor het type netvoeding dat u stuur gebruikt. Mogelijke types netvoeding:

### Intern. met:

- \* Een voedingseenheid gemonteerd in de voet van racestuur met connector van het A-type
- Een kabel voor netstroom van 220-240 V
- = alleen compatibel met een voedingsspanning van 220-240 V.

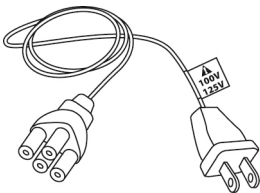


**Steek de 220-240 V kabel  
nooit in een 100-130 V stopcontact!  
Sluit deze kabel nooit aan op een netstroomadapter!**



### Intern. met:

- \* Een voedingseenheid gemonteerd in de voet van racestuur met connector van het A-type
- \* Een kabel voor netstroom van 100-125 V
- = alleen compatibel met een voedingsspanning van 100-125 V.



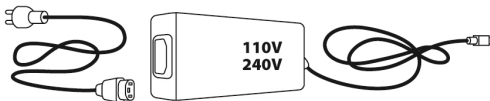
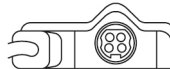
**Steek de 100-125 V kabel  
nooit in een 220-240 V stopcontact!  
Sluit deze kabel nooit aan op een netstroomadapter!**



**BELANGRIJK: als u niet weet welk voltage er op het stopcontact staat op de plek waar u het racestuur wilt gebruiken, neem dan contact op met een plaatselijke electriciteitsleverancier.**

### Extern. met:

- \* Een externe voedingseenheid gemonteerd op de voet van het racestuur met een connector van het B-type
- \* Een kabel voor de netstroom
- = compatibel met alle voedingsspanningen 110-240 V.



## WAARSCHUWING

Lees, voordat u dit product gebruikt, deze documentatie zorgvuldig door en bewaar deze zodat u hem later nog kunt raadplegen.



### **Waarschuwing – Elektrische schok**

- \* Bewaar dit product op een droge plek, uit de zon en stofvrij.
- \* Houd rekening met de richting van de aansluiting.
- \* Trek nooit te hard aan een kabel of connector en zorg dat er geen knikken in kabels komen.
- \* Mors geen vloeistoffen op het product of op een connector.
- \* Veroorzaak geen kortsluiting.
- \* Haal het product nooit uit elkaar, gooi het niet in het vuur en stel het niet bloot aan hoge temperaturen.
- \* Gebruik geen andere netstroomkabel dan de kabel megeleverd bij uw racestuur.
- \* Gebruik de netstroomkabel nooit als de kabel, de stekkers of de connectoren zijn beschadigd, gespleten of gebroken.
- \* Controleer dat de netstroomkabel goed is aangesloten op het stopcontact en op de connector aan de achterkant van de voet van het racestuur.
- \* Niet open maken. Bevat geen door de gebruiker te vervangen onderdelen. Laat onderhoud en reparatie over aan de fabrikant, een gespecificeerd bedrijf of een gekwalificeerde technicus.
- \* Gebruik alleen door de fabrikant goedgekeurde hulpstukken en accessoires.
- \* Als het stuur zich vreemd gedraagt, bijvoorbeeld door rare geluiden te maken, heet te worden of te stinken, stop dan onmiddellijk met het gebruik, haal de stekker uit het stopcontact en maak alle andere kabels los.
- \* Als u van plan bent het stuur langere tijd niet te gebruiken, haal dan de stekker uit het stopcontact.



### **Ventilatieopeningen**

Blokkeer nooit de ventilatieopeningen op de voet van het stuur. Voor een optimale ventilatie moet u rekening houden met het volgende:

- \* Plaats de voet minimaal 10 cm van een muur.
- \* Plaats de voet niet in een krappe ruimte.
- \* Leg nooit iets over de basis heen.
- \* Zorg dat de ventilatieopeningen stofvrij blijven.



**Voor uw en andermans veiligheid mag de pedaalset nooit gebruikt worden op blote voeten of met alleen sokken aan.**

**THRUSTMASTER® WIJST ELKE VERANTWOORDELIJKHEID AF IN GEVAL VAN LETSEL ALS GEVOLG VAN HET GEBRUIK VAN DE PEDAALSET ZONDER SCHOENEN AAN.**



### **Waarschuwing– Mogelijk letsel ten gevolge van force feedback en repetitieve bewegingen**

Gamen met een force feedback stuur kan leiden tot pijn in de gewrichten of de spieren. Hoe voorkomt u problemen:

- \* Vermijd langdurige gamesessies.
- \* Neem na elk uur gamen een pauze van 10 of 15 minuten.
- \* Stop met gamen bij last van vermoeidheid of pijn in handen, polsen, armen, voeten of benen, en rust een paar uur voordat u weer verder gaat met gamen.



**Waarschuwing– Mogelijk letsel ten gevolge van force feedback en repetitieve bewegingen (vervolg)**

- \* Stop helemaal met gamen als de hierboven beschreven symptomen van pijn of last blijven aanhouden tijdens het gamen en raadpleeg een huisarts.
- \* Houd buiten het bereik van kinderen.
- \* Houd tijdens het gamen altijd twee handen aan het stuur op de juiste stand en laat het stuur nooit helemaal los.
- \* Zorg tijdens gebruik dat uw handen of vingers nooit in de buurt van of onder de pedalen of de pedaalsset komen.
- \* Steek tijdens het kalibreren en gamen nooit een hand of arm door de openingen van het racestuur.
- \* Controleer of de voet van het stuur zorgvuldig is vastgeklemd volgens de instructies in de handleiding.

**ZWAAR PRODUCT**



Mag alleen verplaatst worden door gebruikers van 16 jaar of ouder



Wees voorzichtig en laat het product niet op uzelf of iemand anders vallen!

**ALTIJD**



**NOOIT**



**NOOIT**





### Waarschuwing – Pedaalset beknellingsgevaar bij gebruik

- \* Houd de pedaalset buiten het bereik van kinderen.
- \* Houd tijdens het gamen nooit uw vingers op of in de buurt van de zijkanen van de pedalen.
- \* Houd tijdens het gamen nooit uw vingers op of in de buurt van de achterkant van de pedaalset.
- \* Houd tijdens het gamen nooit uw vingers op of in de buurt van de voorkant van de pedaalset.

NOOIT



NOOIT



NOOIT



### Waarschuwing – Pedaalset beknellingsgevaar indien niet in gebruik

- \* Berg de pedaalset op een veilige plaats op, buiten het bereik van kinderen.

## HET FERRARI 458 ITALIA RACESTUUR BEVESTIGEN OP DE VOET

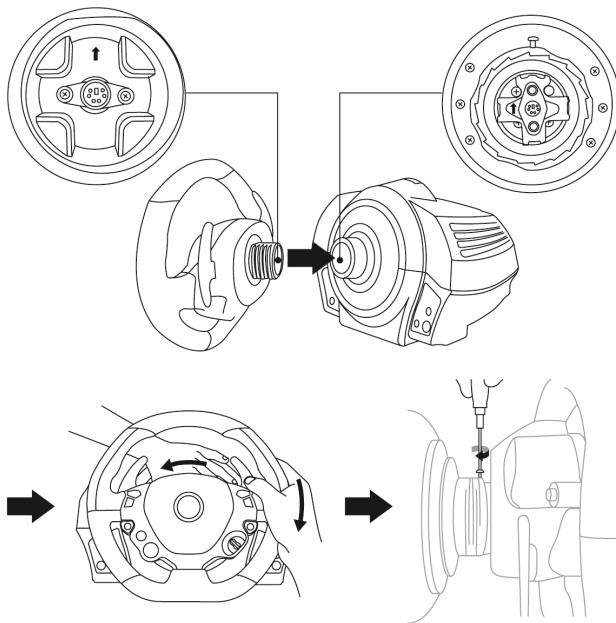
Positioneer de connectoren met behulp van de pijlen:

**Connector op voet (1):** pijl die omhoog wijst

**Connector op stuur (2):** pijl die omhoog wijst

Draai als de connectoren correct zijn gepositioneerd de ring van de Thrustmaster Quick Release (12) op zijn plaats tegen de wijzers van de klok in terwijl u het racestuur vasthoudt (2).

Draai vervolgens de ring zo strak mogelijk vast door deze op zijn plaats te houden en het stuur met de wijzers van de klok mee te draaien.



Zodra u het FERRARI 458 ITALIA racestuur hebt geïnstalleerd draait u het 180° om (kijkend naar het stuur, moet het FERRARI-logo ondersteboven staan) voor toegang tot de kleine bevestigingsschroef onder op de Thrustmaster Quick Release (12). Gebruik een grote kruisschroevendraaier om de kleine bevestigingsschroef met de wijzers van de klok mee vast te draaien (gebruik geen overmatige kracht).



**Draai de kleine bevestigingsschroef niet te vast aan!  
Stop met aandraaien zodra u enige weerstand voelt.**

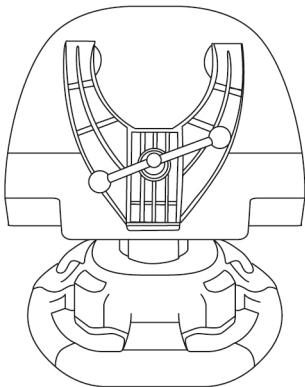


## HET RACESTUUR BEVESTIGEN

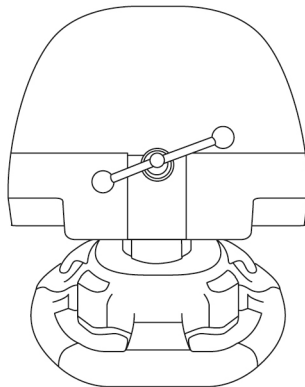
### Het racestuur op een tafel of werkblad bevestigen

1. Plaats het racestuur op een tafel of een ander horizontaal, vlak en stabiel oppervlak.
2. Plaats de bevestigingsschroef (11) in het bevestigingssysteem (10) en draai de schroef aan (tegen de klok in) zodat deze vast komt te zitten in het schroefgat (9) onder het racestuur en het apparaat volledig stabiel is.

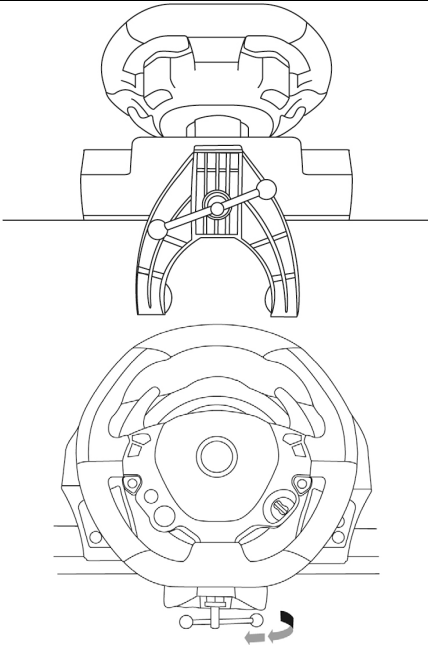
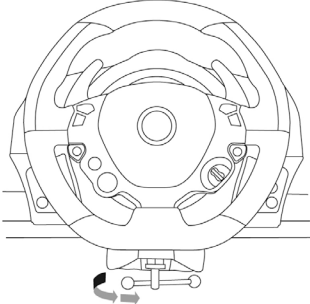
**ALTIJD**



**NOOIT**



**WAARSCHUWING:** Draai de schroef nooit in het racestuur zonder het bevestigingssysteem!  
(Hierdoor kan het racestuur beschadigen).

BEVESTIGEN / VERWIJDEREN	RICHTING
<p><b><u>Vastdraaien:</u></b></p> <p><i>Draai de schroef tegen de wijzers van de klok in</i></p>	
<p><b><u>Losdraaien:</u></b></p> <p><i>Draai de schroef met de wijzers van de klok mee</i></p>	

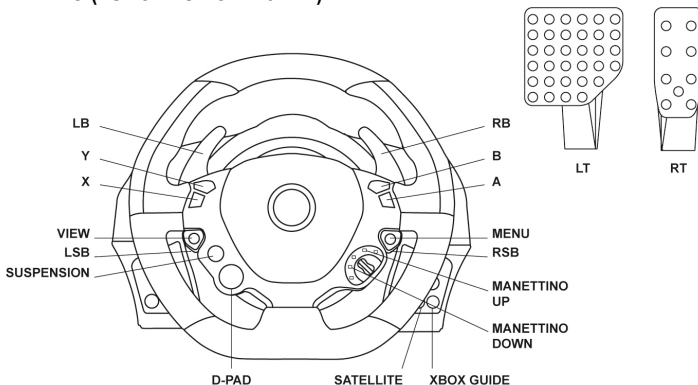
## De voet van het racestuur aan een cockpit bevestigen

1. Plaats de voet van het racestuur op het cockpitpaneel.
2. Draai twee M6-schroeven (niet meegeleverd) door het cockpitpaneel en in de twee kleine schroefgaten aan de onderkant van het racestuur.  
*Belangrijk: de M6-schroeven mogen niet langer zijn dan de dikte van het paneel + 12 mm. Langere schroeven kunnen de componenten in de voet van het racestuur beschadigen.*
3. Zet indien nodig het standaardbevestigingssysteem vast door de bevestigingsschroef in het grote schroefgat te draaien.

## De pedaalsset aan een cockpit bevestigen

1. Bevestig de pedaalsset met behulp van de kleine schroefgaten aan de onderkant.
2. Draai twee M6-schroeven (niet meegeleverd) door het cockpitpaneel en in de twee kleine schroefgaten aan de onderkant van de pedaalsset.  
*Belangrijk: de M6-schroeven mogen niet langer zijn dan de dikte van het paneel +10 mm. Langere schroeven kunnen de componenten in de pedaalsset beschadigen.*

## MAPPING (FUNCTIES TOEWIJZEN)



Bij de productlancering op de Xbox One hebben de verschillende actieknoppen op het stuur identieke functies in de game.

In de nabije toekomst kunt u door het updaten van uw games (automatische updates zijn beschikbaar als uw console een verbinding heeft met internet) en het updaten van de firmware van uw stuur deze dubbele functies verwijderen en meer afzonderlijke knoppen vrijmaken.

## DE FIRMWARE VAN HET RACESTUUR BIJWERKEN

De firmware in de voet van het racestuur kan worden bijgewerkt naar een nieuwere verbeterde versie wanneer een dergelijke versie beschikbaar komt.

Om de huidige versie van de firmware van het racestuur weer te geven en deze bij te werken indien gewenst: ga op een pc naar <http://support.thrustmaster.com>. Klik op **Racesturen / TX Racing Wheel**, selecteer **Firmware** en volg de instructies voor het downloaden en installeren.

## HET RACESTUUR GEREED MAKEN VOOR DE XBOX ONE

1. Sluit de pedaalsset aan op de connector (17) aan de achterkant van de voet van het racestuur.
2. Sluit de netstroomkabel aan op de connector (14) aan de achterkant van de voet van het racestuur.
3. Sluit de netstroomkabel aan op een stopcontact met juiste netspanning.



**Raadpleeg voor meer informatie over dit onderwerp de sectie HET RACESTUUR AANSLUITEN OP DE NETSTROOM op pagina 3 van deze handleiding.**

4. Sluit de USB-connector van het stuur (15) aan op één van de USB-connectoren van de console.

**Nu kan er geracet worden!**

## HET RACESTUUR EN DE PEDAALSET AUTOMATISCH KALIBREREN

Het racestuur kalibreert zichzelf automatisch wanneer u het racestuur op een stopcontact aansluit en de USB-connector van het racestuur op de console.

Tijdens deze kalibratie zal het stuur snel 900 graden linksom en rechtsom draaien voordat het stopt in de middenstand.



### **WAARSCHUWING:**

Tijdens het automatisch kalibreren mag u het stuur niet aanraken.

*(Raakt u het stuur toch aan dan kan dit leiden tot een onjuiste kalibratie en/of persoonlijk letsel).*

## AUTOMATISCH KALIBREREN VAN DE PEDAALSET

Sluit de pedaalsset nooit aan op de voet van het racestuur of koppel deze nooit los van de voet terwijl het is verbonden met de console of tijdens het gamen. Doet u dit toch, dan kan dat leiden tot een onjuiste kalibratie.

Sluit altijd eerst de pedaalsset aan voordat u het racestuur aansluit op de console.

Nadat de kalibratie van het racestuur gereed is en de game gestart is, zijn de pedalen automatisch gekalibreerd na een paar keer intrappen.



### **WAARSCHUWING:**

Trap nooit op de pedalen tijdens het zelfkalibreren van het stuur of tijdens het laden van de game.

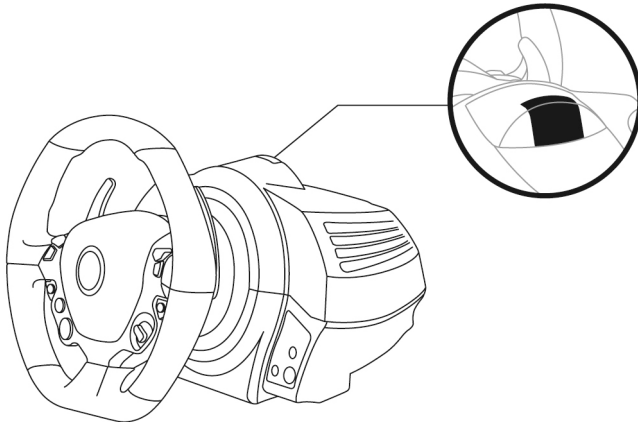
*(Dit kan leiden tot een onjuiste kalibratie)*

**Het racestuur en de pedaalsset werken niet goed of het kalibreren lukt niet:**

Schakel de console uit, koppel het racestuur volledig los, sluit alle kabels weer aan (met de netstroomkabel en de pedaalset) en start de console en de game opnieuw op.

## CONTROLLER KOPPELEN (13)

Voor een correcte herkenning van het racestuur moet de *controllerkoppeling van het apparaat* (deze bevindt zich op het bovendedeelte van de voet van het stuur) altijd in het zicht zijn van de KINECT™-camera.



## SENSOR VOOR INTERNE TEMPERatuur

Om veiligheidsredenen zit er een temperatuursensor in de voet van het stuur.

Als de temperatuur in de voet te hoog oploopt, kan het stuur zichzelf plotseling uitschakelen.

In een dergelijk geval moet u:

- De netstroomkabel en USB-connector van het apparaat loskoppelen.
- Wachten tot de voet van het stuur helemaal is afgekoeld.
- Het apparaat vervolgens weer aansluiten.

## MODE-KNOP EN INDICATOR (6)

### MODE-knop voor de pedaalset

De pedaalset geleverd bij het TX Racing Wheel heeft twee pedalen.

Let er bij het gebruik van deze pedaalset op dat de indicator rood blijft branden. Is dit niet het geval, dan werkt het gaspedaal mogelijk niet correct.

Het TX Racing Wheel is ook compatibel met de Thrustmaster-pedaalsets met drie pedalen (*worden apart verkocht, toekomstige release*). Op deze sets is het mogelijk de functie van het koppelingpedaal en het gaspedaal te verwisselen.

Dit doet u door de MODE-knop (6) twee seconden ingedrukt te houden.

De ingestelde functie van de pedalen wordt opgeslagen in het interne geheugen van het racestuur.

GASPEDAAL EN KOPPELINGSPEDAAL	Kleur van de MODE-indicator (6)
NORMAAL	ROOD
OMGEWISSELD	GROEN

### Meer betekenissen van de MODE-knop

Meer informatie over de MODE-knop en de indicator vindt u op <http://support.thrustmaster.com>. Klik op Racesturen / TX Racing Wheel en selecteer vervolgens Handleiding of FAQ.

### HELPBESTANDEN EN FAQs (niet vermeld in deze handleiding)

Ga naar <http://support.thrustmaster.com>. Klik op Racesturen / TX Racing Wheel en selecteer vervolgens Handleiding of FAQ.

## **Informatie met betrekking tot kopersgarantie**

Wereldwijd garandeert Guillemot Corporation S.A., het statutair adres gevestigd aan de Place du Granier, B.P. 97143, 35571 Chantepie, Frankrijk, (hierna te noemen "Guillemot") aan de koper dat dit Thrustmaster-product vrij zal zijn van materiaal- en fabricagefouten gedurende een garantieperiode gelijk aan de tijd maximaal vereist om een restitutie/vervanging voor dit product te claimen. In landen van de Europese Unie komt dit overeen met een periode van twee (2) jaar vanaf het moment van levering van het Thrustmaster-product. In andere landen komt de garantieperiode overeen met de tijd maximaal vereist om een restitutie/vervanging voor dit Thrustmaster-product te claimen zoals wettelijk is vastgelegd in het land waarin de koper woonachtig was op de datum van aankoop van het Thrustmaster-product. Indien een dergelijk claimrecht niet wettelijk is vastgelegd in het betreffende land, geldt een garantieperiode van één (1) jaar vanaf datum aankoop van het Thrustmaster-product.

Indien u in de garantieperiode een defect meent te constateren aan dit product, neem dan onmiddellijk contact op met Technical Support die u zal informeren over de te volgen procedure. Als het defect wordt bevestigd, dient het product te worden geretourneerd naar de plaats van aankoop (of een andere locatie die wordt opgegeven door Technical Support).

Binnen het gestelde van deze garantie wordt het defecte product van de koper gerepareerd of vervangen, zulks ter beoordeling van Technical Support. Indien het Thrustmaster-product tijdens de garantieperiode is onderworpen aan een dergelijk herstel, wordt elke periode van ten minste zeven (7) dagen waarin het product niet in gebruik is, opgeteld bij de resterende garantieperiode (deze periode loopt vanaf de datum van verzoek van de consument voor interventie of vanaf de datum waarop het product in kwestie beschikbaar is gesteld voor herstel als de datum waarop het product ter beschikking wordt gesteld voor herstel later is dan de datum van het verzoek om interventie). Indien toegestaan door van toepassing zijnde wetgeving, beperkt de volledige aansprakelijkheid van Guillemot en haar dochterondernemingen (inclusief de aansprakelijkheid voor vervolgschade) zich tot het repareren of vervangen van het Thrustmaster-product. Indien toegestaan door van toepassing zijnde wetgeving, wijst Guillemot elke garantie af met betrekking tot verhandelbaarheid of geschiktheid voor enig doel.

Deze garantie is niet van kracht: (1) indien het product aangepast, geopend of gewijzigd is, of beschadigd is ten gevolge van oneigenlijk of onvoorzichtig gebruik, verwaarlozing, een ongeluk, normale slijtage, of enige andere oorzaak die niet gerelateerd is aan een materiaal- of fabricagefout (inclusief maar niet beperkt tot het combineren van het Thrustmaster-product met enig ongeschikt element waaronder in het bijzonder voedingsadapters, oplaadbare batterijen, opladers of enig ander element niet geleverd door Guillemot voor dit product); (2) als het product is gebruikt voor enig ander doel dan thuisgebruik, zoals maar niet exclusief een professioneel of commercieel doel (bijvoorbeeld game rooms, training, wedstrijden); (3) indien u zich niet houdt aan de instructies zoals verstrekt door Technical Support; (4) op software die onder een specifieke garantie valt; (5) op verbruiksartikelen (elementen die tijdens de levensduur van het product worden vervangen zoals bijvoorbeeld batterijen of pads van een headset of koptelefoon); (6) op accessoires (zoals bijvoorbeeld kabels, behuizingen, hoesjes, etui's, draagtassen of polsbandjes); (7) indien het product werd verkocht op een openbare veiling.

Deze garantie is niet overdraagbaar.

De wettelijke rechten van de koper die in zijn/haar land van toepassing zijn op de verkoop van consumentproducten worden op generlei wijze door deze garantie beperkt.

### Aanvullende garantiebepalingen

Gedurende de garantieperiode zal Guillemot in principe nooit reserveonderdelen leveren omdat Technical Support de enige partij is die bevoegd is een Thrustmaster-product te openen en/of te herstellen (met uitzondering van een herstelprocedure die de klant door Technical Support gevraagd wordt uit te voeren met behulp van schriftelijke instructies – omdat deze procedure bijvoorbeeld eenvoudig is en het herstelproces niet vertrouwelijk is – en door het verstrekken aan de consument van de benodigde onderdelen, indien van toepassing).

Gezien de innovatiecycli en om haar knowhow en handelsgeheimen te beschermen, zal Guillemot in principe nooit een herstelbeschrijving of reserveonderdelen verstrekken voor een Thrustmaster-product waarvan de garantieperiode is verstreken.

### Aansprakelijkheid

Indien toegestaan door van toepassing zijnde wetgeving, wijzen Guillemot Corporation S.A. (hierna te noemen "Guillemot") en haar dochterondernemingen alle aansprakelijkheid af voor enige schade veroorzaakt door één van de volgende oorzaken: (1) indien het product aangepast, geopend of gewijzigd is; (2) de montage-instructies niet zijn opgevolgd; (3) oneigenlijk of onvoorzichtig gebruik, verwaarlozing, een ongeluk (bijvoorbeeld stoten); (4) normale slijtage; (5) het gebruik van het product voor enig ander doel dan thuisgebruik, zoals maar niet exclusief een professioneel of commercieel doel (bijvoorbeeld game rooms, training, wedstrijden). Indien toegestaan onder van toepassing zijnde wetgeving, wijzen Guillemot en haar dochterondernemingen alle aansprakelijkheid af voor enige schade aan dit product niet gerelateerd aan een materiaal- of fabricagefout (inclusief maar niet beperkt tot enige schade direct of indirect veroorzaakt door enige software, of door het combineren van het Thrustmaster-product met enig ongeschikt element waaronder in het bijzonder voedingsadapters, oplaadbare batterijen, opladers of enig ander element niet geleverd door Guillemot voor dit product).

**THRUSTMASTER®**

**TECHNISCHE ONDERSTEUNING**

**<http://support.thrustmaster.com>**





## COPYRIGHT

© 2017 Guillemot Corporation S.A. Alle rechten voorbehouden. Thrustmaster® is een geregistreerd handelsmerk van Guillemot Corporation S.A. Ferrari® is een gedeponerd merk van Ferrari Idea S.p.A. Alle andere handelsmerken zijn eigendom van de respectieve eigenaren. Afbeeldingen zijn niet bindend. Inhoud, ontwerp en specificaties kunnen zonder kennisgeving vooraf worden gewijzigd en kunnen per land verschillen. Geproduceerd in China.

## AANBEVELINGEN VOOR DE BESCHERMING VAN HET MILIEU



In de Europese Unie: Gooi dit product na het einde van de levensduur niet weg met het normale afval, maar breng het naar het door uw gemeente aangewezen inzamelpunt voor elektrische en/of computerapparatuur.

Ter herinnering is hiertoe op het product, de gebruikshandleiding of de verpakking een symbool aangebracht.

De meeste materialen kunnen worden gerecycled. Door recycling en andere methoden voor verantwoorde verwerking van afgedankte elektrische en elektronische apparaten kunt u een belangrijke bijdrage leveren aan de bescherming van het milieu.

Neem contact op met uw gemeente voor informatie over een inzamelpunt bij u in de buurt.

In alle andere landen: houd u aan de plaatselijk milieuwetgeving voor elektrische en elektronische apparaten.

Bewaar deze informatie. De kleuren en decoraties kunnen variëren.

Plastic bevestigingen en hechtmaterialen moeten van het product worden verwijderd voordat het wordt gebruikt.

[www.thrustmaster.com](http://www.thrustmaster.com)

*\*Alleen van toepassing in de EU en Turkije*

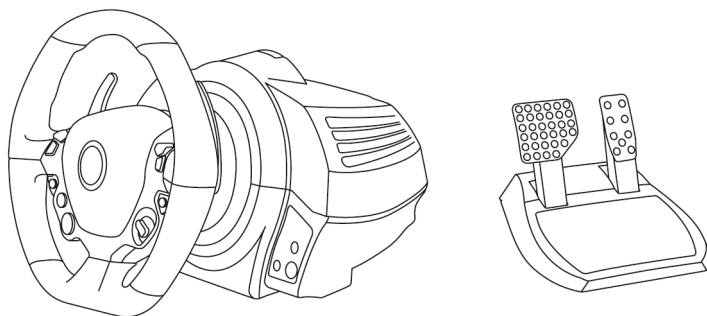


# TX Racing Wheel

FERRARI 458 ITALIA EDITION

PER XBOX ONE

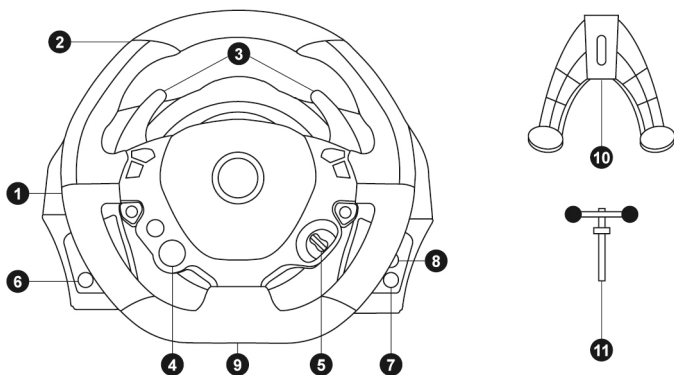
Manuale d'uso



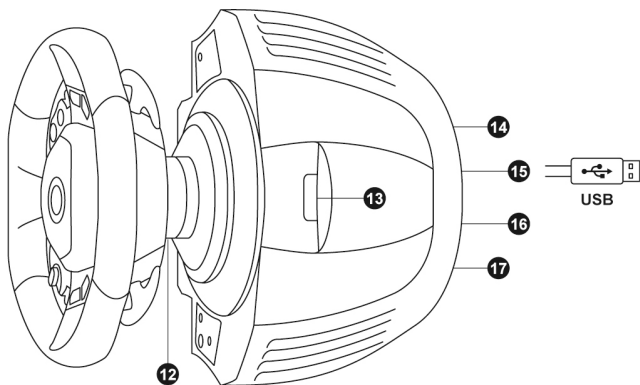
## **ATTENZIONE:**

Per far sì che il tuo TX Racing Wheel funzioni correttamente con i giochi per XBOX ONE, potrebbe rendersi necessario installare gli aggiornamenti automatici dei giochi (disponibili nel momento in cui la tua console viene collegata a internet).

## CARATTERISTICHE TECNICHE



- |   |  |
|---|--|
| 1 Base del volante                          | 7 Pulsante Xbox Guide  |
| 2 Volante                                   | 8 Led bianco   |
| 3 2 leve del cambio sequenziali (Up & Down) | 9 Ampia foro filettato (per sistema di aggancio e vite di fissaggio) |
| 4 D-Pad multidirezionale (Engine Start)     | 10 Sistema di aggancio   |
| 5 Manettino (2 posizioni)                   | 11 Vite di fissaggio in metallo                                      |
| 6 Pulsante MODE + led Rosso/Verde           |  |



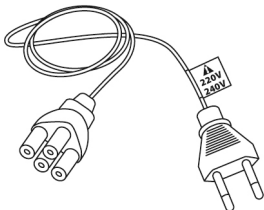
- |  |   |
|--|---|
| 12 Thrustmaster Quick Release  | 15 Cavo USB e connettore del volante                            |
| 13 Sincronizzatore controller (per riconoscimento Kinect™)                   | 16 Connettore cambio (venduto separatamente, in uscita a breve) |
| 14 Connettore di alimentazione (tipo A o B) (varia da una nazione all'altra) | 17 Connettore pedaliera   |

## COLLEGARE IL VOLANTE ALLA RETE ELETTRICA = SI PREGA DI LEGGERE ATTENTAMENTE

L'alimentatore del tuo volante varia a seconda della nazione in cui hai acquistato la tua periferica.  
L'alimentazione potrebbe essere:

### Interna, con:

- \* Un alimentatore collocato direttamente nella base del volante, con un connettore di tipo A
- \* Un cavo di alimentazione da 220-240V
- = compatibile solo con correnti elettriche a 220-240V.

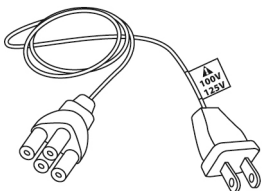


**Non collegare mai il cavo da 220-240V a una presa elettrica a 100-130V!**  
**Non collegare mai questo cavo ad un adattatore per prese elettriche!**



### Interna, con:

- \* Un alimentatore collocato direttamente nella base del volante, con un connettore di tipo A
- \* Un cavo di alimentazione da 100-125V
- = compatibile solo con correnti elettriche a 100-125V.



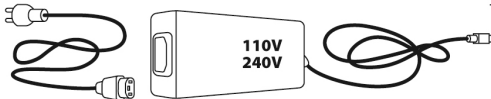
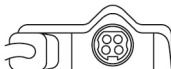
**Non collegare mai il cavo da 100-125V a una presa elettrica a 220-240V!**  
**Non collegare mai questo cavo ad un adattatore per prese elettriche!**



**IMPORTANTE:** se non conosci il voltaggio della corrente elettrica presente nell'area in cui stai utilizzando il tuo volante, ti invitiamo a contattare il tuo fornitore di energia elettrica.

### Esterna, con:

- \* Un alimentatore esterno presente sulla base del volante, con un connettore di tipo B
- \* Un cavo di alimentazione
- = compatibile con tutti i voltaggi, 110-240V.



## ATTENZIONE

Prima di utilizzare questo prodotto, ti invitiamo a leggere con attenzione il presente documento e a conservare quest'ultimo in caso avessi bisogno di consultarlo nuovamente.



### **Attenzione – Shock elettrico**

- \* Conserva questo prodotto in un luogo asciutto e non esporlo alla polvere o alla luce del sole.
- \* Rispetta la direzione di inserimento dei connettori.
- \* Non torcere e non tirare i connettori e i cavi.
- \* Non versare liquidi sul prodotto o sui relativi connettori.
- \* Non cortocircuitare il prodotto.
- \* Non smontare questo prodotto; non gettarlo nel fuoco e non esporlo alle alte temperature.
- \* Non usare un altro cavo di alimentazione oltre a quello fornito assieme al tuo volante.
- \* Non utilizzare il cavo di alimentazione qualora quest'ultimo o i connettori dovessero risultare danneggiati, divisi o rotti.
- \* Assicurati che il cavo di alimentazione sia correttamente inserito nella presa elettrica e nel connettore posto nella parte posteriore della base del volante.
- \* Non aprirlo. Non utilizzare pezzi sostitutivi al suo interno. Contatta l'apposito servizio del produttore, una ditta specializzata o un tecnico qualificato.
- \* Usa unicamente i connettori/accessori indicati dal produttore.
- \* Qualora il volante non dovesse funzionare correttamente (se dovesse generare un qualunque suono inusuale, calore o odori), smetti immediatamente di utilizzarlo, scollega il cavo di alimentazione dal relativo connettore e scollega tutti gli altri cavi.
- \* Se pensi di non dover utilizzare il volante per un lungo periodo di tempo, scollega l'alimentatore dalla presa di corrente.



### **Prese d'aria**

Accertati di non ostruire nessuna delle prese d'aria presenti nella base del volante. per una ventilazione ottimale, attieniti alle seguenti indicazioni:

- \* Colloca la base ad almeno 10cm di distanza dal muro.
- \* Non collocare la base in uno spazio angusto.
- \* Non coprire la base.
- \* Non lasciare che la polvere penetri nella prese d'aria.



**Per motivi di sicurezza, non utilizzare mai la pedaliera a piedi nudi o indossando solamente i calzini.**

**THRUSTMASTER® DECLINA OGNI RESPONSABILITÀ IN CASO DI INFORTUNI DERIVANTI DALL'USO DELLA PEDALIERA SENZA SCARPE.**



### **Attenzione – Infortuni derivanti dal force feedback e dai movimenti ripetuti**

Giocare con un volante force-feedback potrebbe causare dolori muscolari o articolari. Per evitare qualsiasi problema:

- \* Evita di giocare per lunghi periodi di tempo.
- \* Prenditi 10-15 minuti di pausa per ogni ora di gioco.
- \* Qualora dovessi avvertire fatica o dolore a mani, polsi, braccia, piedi o gambe, smetti di giocare e riposati per alcune ore prima di ricominciare a giocare.



### **Attenzione – Infortuni derivanti dal force feedback e dai movimenti ripetuti (seguito)**

- \* Qualora i sintomi o il dolore sopradescritti dovessero persistere anche quando ricominci a giocare, smetti di giocare e consulta il tuo medico.
- \* Tenere lontano dalla portata dei bambini.
- \* Mentre giochi, mantieni sempre le mani sul volante in posizione corretta, senza mai lasciarlo andare completamente.
- \* Mentre giochi, non infilare mai le tue mani o le tue dita sotto ai pedali o in una qualunque posizione nei pressi della pedaliera.
- \* Durante la calibrazione e mentre giochi, non infilare mai la tua mano o il tuo braccio attraverso le aperture del volante.
- \* Controlla che la base del volante sia accuratamente fissata così come indicato nel manuale.

### **PRODOTTO PESANTE**



Può essere maneggiato solo da utenti con un'età minima di 16 anni



Fai attenzione a non far cadere il prodotto addosso a te o a chiunque altro!

**SEMPRE**



**MAI**



**MAI**





**Attenzione – Rischio di schiacciamento da pedaliera mentre giochi**

- \* Tieni la pedaliera lontana dai bambini.
- \* Mentre giochi, non appoggiare mai le tue dita sui pedali o nelle immediate vicinanze.
- \* Mentre giochi, non appoggiare mai le tue dita sulla base posteriore dei pedali o nelle immediate vicinanze.
- \* Mentre giochi, non appoggiare mai le tue dita sulla base anteriore dei pedali o nelle immediate vicinanze.

**MAI**



**MAI**



**MAI**



**Attenzione – Rischio di schiacciamento da pedaliera quando non giochi**

- \* Conserva la pedaliera in un posto sicuro e tienila lontana dalla portata dei bambini.

## COLLEGARE IL VOLANTE FERRARI 458 ITALIA ALLA PROPRIA BASE

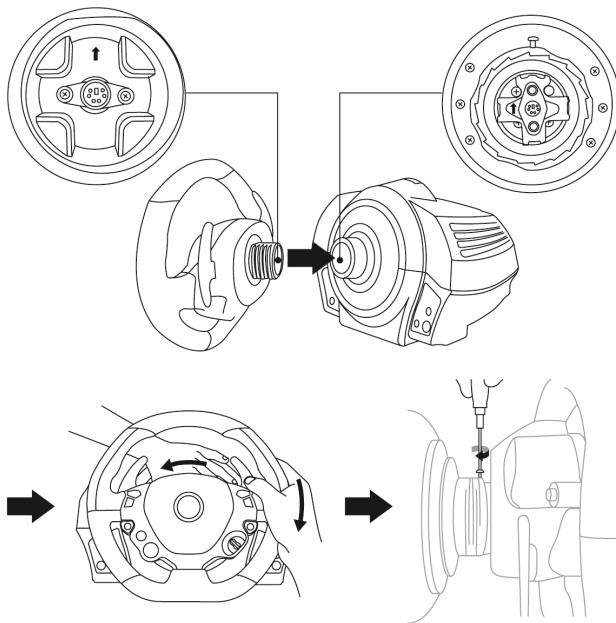
Allinea correttamente i connettori utilizzando le frecce:

**Connettore della base (1):** freccia rivolta verso l'alto

**Connettore del volante (2):** freccia rivolta verso l'alto

Dopo aver correttamente posizionato i connettori, non devi far altro che ruotare in senso antiorario l'anello del sistema Thrustmaster Quick Release (12), tenendo il volante (2) fermo in posizione.

Dopodiché, stringi l'anello più a fondo che puoi; per far questo, tieni l'anello in posizione e ruota il volante in senso orario.



Dopo aver installato il volante FERRARI 458 ITALIA, ruotalo di 180° (guardando il volante, il logo FERRARI deve apparire ribaltato) per accedere alla piccola vite di fissaggio presente sul sistema Thrustmaster Quick Release (12). Utilizzando un lungo cacciavite a croce, stringi la piccola vite di fissaggio (senza usare troppa forza), facendola ruotare in senso orario.



**Non utilizzare troppa forza per stringere la piccola vite di fissaggio (con un cacciavite a croce)!**  
**Smetti di avvitare non appena avverti un po' di resistenza.**

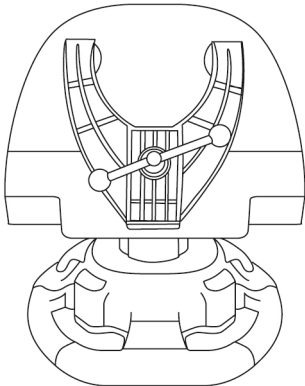


## FISSARE IL VOLANTE

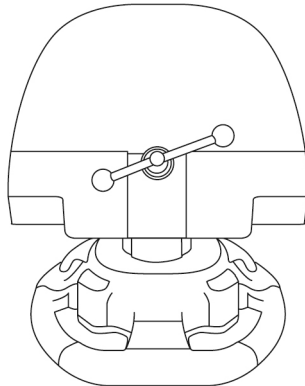
### Fissare il volante a un tavolo o a una scrivania

1. Colloca il volante su un tavolo o su qualsiasi altra superficie piana, orizzontale e stabile.
2. Inserisci la vite di fissaggio **(11)** nel sistema di aggancio **(10)**, dopodiché blocca la periferica ruotando la vite in senso antiorario, in modo tale che questa penetri nell'ampio foro filettato **(9)** presente nella parte inferiore del volante, finché la periferica non risulti perfettamente stabile.

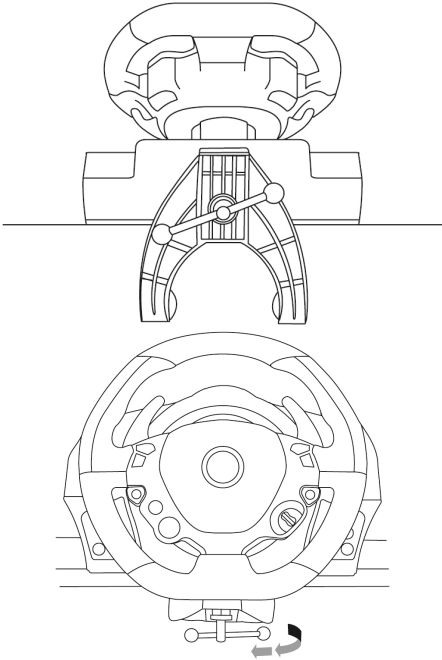
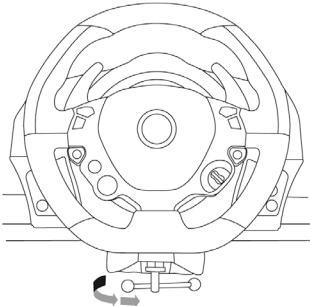
**SEMPRE**



**MAI**



**ATTENZIONE:** Non stringere mai la vite da sola, senza il sistema di aggancio!  
(Ciò potrebbe danneggiare il volante).

AGGANCIO / RIMOZIONE	DIREZIONE
<p><b><u>Per stringere:</u></b></p> <p><i>Gira la vite in senso antiorario</i></p>	
<p><b><u>Per allentare:</u></b></p> <p><i>Gira la vite in senso orario</i></p>	

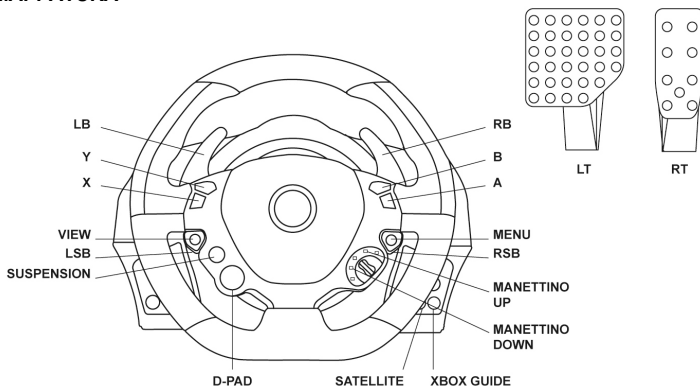
## Agganciare la base del volante ad un abitacolo

1. Colloca la base del volante sul piano dell'abitacolo.
2. Fai passare due viti tipo M6 (non incluse) attraverso il piano dell'abitacolo, quindi avvitalo nei due piccoli fori filettati presenti nella parte inferiore del volante.  
*Importante: la lunghezza delle viti tipo M6 non dovrebbe superare lo spessore del piano + 12 mm; viti più lunghe potrebbero danneggiare le componentistiche presenti all'interno della base del volante.*
3. Se necessario, stringi il sistema di aggancio standard inserendo la vite di fissaggio nell'apposito ampio foro filettato.

## Agganciare la pedaliera ad un abitacolo

1. Aggancia la pedaliera sfruttando i piccoli fori filettati presenti nella sua parte inferiore.
2. Fai passare due viti tipo M6 (non incluse) attraverso il piano dell'abitacolo, quindi avvitalo nei due piccoli fori filettati presenti nella parte inferiore della pedaliera.  
*Importante: la lunghezza delle viti tipo M6 non dovrebbe superare lo spessore del piano + 10 mm; viti più lunghe potrebbero danneggiare le componentistiche presenti all'interno della base del volante.*

## MAPPATURA



Al momento del lancio del prodotto per Xbox One, vi saranno diversi pulsanti azione del volante cui corrisponderanno le medesime funzioni nel gioco.

Nell'immediato futuro, aggiornando automaticamente i tuoi giochi (gli aggiornamenti automatici saranno disponibili nel momento in cui collegherai la tua console a internet) e aggiornando il firmware del tuo volante, potrai eliminare queste funzioni duplicate, aumentando così il numero di singoli pulsanti.

## AGGIORNARE IL FIRMWARE DEL TUO VOLANTE

Il firmware presente nella base del tuo volante può essere aggiornato ad una versione più recente, per apportare migliorie al prodotto.

Per visualizzare la versione del firmware attualmente presente nel tuo volante e, se necessario, aggiornarla: su PC, collegati al sito <http://support.thrustmaster.com>. Clicca su **Volanti / TX Racing Wheel**, dopodiché seleziona **Firmware** e segui le istruzioni per la procedura di scaricamento e installazione.

## INSTALLARE IL VOLANTE SU XBOX ONE

1. Collega la pedaliera al connettore (17) presente nella parte posteriore della base del volante.
2. Collega il cavo di alimentazione al connettore (14) presente nella parte posteriore della base del volante.
3. Collega il cavo di alimentazione a una presa di corrente, rispettando le indicazioni sul voltaggio elettrico.



**Per ulteriori informazioni su questo punto, consulta il capitolo COLLEGARE IL VOLANTE ALLA RETE ELETTRICA, a pagina 3 del presente manuale.**

4. Collega il connettore USB del volante (15) ad una delle porte USB della console.

**Ora sei pronto per gareggiare!**

## CALIBRAZIONE AUTOMATICA DI VOLANTE E PEDALIERA

Il volante si calibra automaticamente nel momento in cui colleghi il volante alla rete elettrica e inserisci nella console il connettore USB del volante.

Durante questa fase, il volante si muoverà rapidamente a destra e a sinistra, coprendo un angolo di 900 gradi, prima di fermarsi in posizione centrale.



### **ATTENZIONE:**

**Non toccare mai il volante durante la fase di auto-calibrazione!  
(Ciò potrebbe causare un'errata calibrazione e/o infortuni personali).**

## CALIBRAZIONE AUTOMATICA DELLA PEDALIERA

Non collegare mai la pedaliera alla base del volante (né scollegarla mai dalla base) mentre il volante è collegato alla console o durante i giochi (ciò potrebbe causare un'errata calibrazione).

Collega sempre la pedaliera prima di collegare il volante alla console.

Una volta completata la calibrazione del volante e avviato il gioco, i pedali si auto-calibreranno dopo averli premuti alcune volte.



### **ATTENZIONE:**

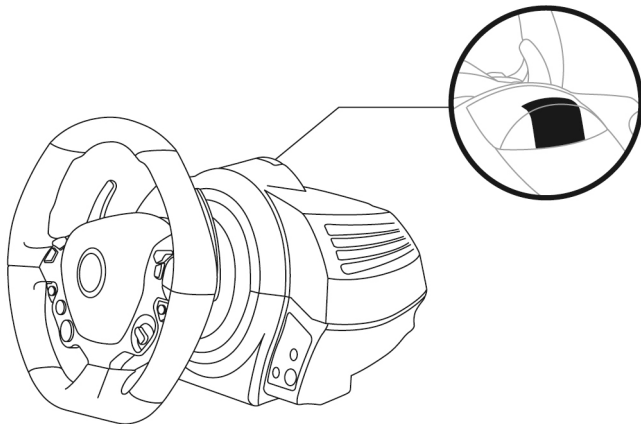
**Non premere mai i pedali durante la fase di auto-calibrazione del volante o durante il caricamento di un gioco! (Ciò potrebbe causare un'errata calibrazione)**

**Qualora il tuo volante e la tua pedaliera non funzionassero correttamente, o se la calibrazione dovesse apparirti errata:**

Spegni la tua console, scollega completamente il tuo volante, ricollega tutti i cavi (compresi il cavo di alimentazione e la pedaliera), quindi riavvia la tua console e il tuo gioco.

## **SINCRONIZZATORE CONTROLLER (13)**

Per assicurarti il corretto rilevamento del tuo volante, il sensore per la sincronizzazione della tua periferica (posto nella parte superiore della base del volante) dovrà sempre rimanere nel campo visivo della camera KINECT™.



## **SENSORE TEMPERATURA INTERNA**

Per ragioni di sicurezza, la base del volante dispone di un sensore per la temperatura.

Se la temperatura della periferica dovesse alzarsi troppo, il tuo volante potrebbe spegnersi improvvisamente.

In questo caso:

- Scollega il cavo di alimentazione e il connettore USB della periferica.
- Attendi che la base del volante si raffreddi del tutto.
- Dopodiché, ricollega la periferica.

## PULSANTE E LED MODE (6)

### Pulsante MODE per la pedaliera

La pedaliera acclusa al TX Racing Wheel presenta 2 pedali.

Durante l'uso della pedaliera, assicurati che il led resti sempre acceso in rosso, altrimenti il pedale dell'acceleratore non funzionerà correttamente.

Il TX Racing Wheel è compatibile anche con pedalieri Thrustmaster a 3 pedali (*vendute separatamente; disponibili a breve*); in questo modo potrai scambiare elettronicamente fra loro i pedali di acceleratore e frizione.

Per far questo, non devi far altro che tenere premuto il pulsante **MODE (6)** per 2 secondi.

Lo stato dell'attivazione dello scambio tra i pedali viene salvato nella memoria interna del volante.

PEDALI ACCELERATORE E FRIZIONE	Colore del led MODE (6)
NORMALI	ROSSO
SCAMBIATI	VERDE

### Altri consigli per il pulsante MODE

Per saperne di più sul pulsante e sul led MODE, consulta il sito <http://support.thrustmaster.com>. Clicca su **Volanti / TX Racing Wheel**, quindi seleziona **Manuale** o **FAQ**.

### FILE DI AIUTO E FAQ (non riportati nel presente manuale)

Visita il sito <http://support.thrustmaster.com>. Clicca su **Volanti / TX Racing Wheel**, quindi seleziona **Manuale** o **FAQ**.

## **Informazioni sulla garanzia al consumatore**

A livello mondiale, Guillemot Corporation S.A., avente sede legale in Place du Granier, B.P. 97143, 35571 Chantepie, Francia (d'ora in avanti "Guillemot") garantisce al consumatore che il presente prodotto Thrustmaster sarà privo di difetti relativi ai materiali e alla fabbricazione, per un periodo di garanzia corrispondente al limite temporale stabilito per la presentazione di un reclamo riguardante la conformità del prodotto in questione. Nei paesi della Comunità Europea, tale periodo equivale a due (2) anni a partire dalla consegna del prodotto Thrustmaster. In altri paesi, la durata della garanzia corrisponde al limite temporale stabilito per la presentazione di un reclamo riguardante la conformità del prodotto Thrustmaster in base alle leggi applicabili nel paese in cui il consumatore risiedeva alla data di acquisto del prodotto Thrustmaster (qualora nel paese in questione non esistesse alcuna norma a riguardo, il periodo di garanzia corrisponderà a un (1) anno a partire dalla data originale di acquisto del prodotto Thrustmaster). Qualora, durante il periodo di garanzia, il prodotto dovesse apparire difettoso, contatti immediatamente l'Assistenza Tecnica, che le indicherà la procedura da seguire. Qualora il difetto dovesse essere confermato, il prodotto dovrà essere riportato al luogo di acquisto (o qualsiasi altro luogo indicato dall'Assistenza Tecnica).

Nel contesto della presente garanzia, il prodotto difettoso di proprietà del consumatore potrà essere sostituito o reso nuovamente funzionante, a discrezione dell'Assistenza Tecnica. Se, durante il periodo coperto dalla garanzia, il prodotto Thrustmaster fosse oggetto di tale rimessa in operatività, alla rimanente durata della garanzia dovrà essere aggiunto un periodo di almeno sette (7) giorni, durante il quale il prodotto risulta non utilizzabile (tale periodo intercorre dalla data della richiesta di intervento da parte del consumatore o dalla data in cui il prodotto in questione è reso disponibile per la rimessa in operatività, questo nel caso in cui tale data sia successiva alla data di richiesta di intervento). Qualora le leggi applicabili in materia lo consentano, la totale responsabilità di Guillemot e delle sue controllate (compresi i danni conseguenti) si limita alla rimessa in operatività o alla sostituzione del prodotto Thrustmaster. Qualora le leggi applicabili in materia lo consentano, Guillemot declina ogni garanzia sulla commerciabilità o la conformità a finalità particolari.

La presente garanzia non potrà essere applicata: (1) se il prodotto è stato modificato, aperto, alterato o ha subito danni derivanti da un uso inappropriato o non autorizzato, da negligenza, da un incidente, dalla semplice usura, o da qualsiasi altra causa non riconducibile a difetti nei materiali o nell'assemblaggio (compresi, ma non i soli, prodotti Thrustmaster combinati con elementi inadatti, tra cui, in particolare, batterie ricaricabili, caricatori o qualsiasi altro elemento non fornito da Guillemot per questo prodotto); (2) nel caso in cui il prodotto sia stato utilizzato per qualsiasi altro scopo al di fuori dell'uso domestico, comprese finalità professionali o commerciali (esempio: sale giochi, allenamenti, concorsi); (3) in caso di mancato rispetto delle istruzioni fornite dall'Assistenza Tecnica; (4) in caso di software, ovvero software soggetto a una specifica garanzia; (5) ai materiali di consumo (elementi che richiedono la loro sostituzione al termine della loro durata di esercizio come, ad esempio, batterie di tipo convenzionale o cuscinetti protettivi per auricolari o cuffie); (6) agli accessori (ad esempio, cavi, custodie, borsette, borse, cinturini); (7) se il prodotto è stato venduto ad un'asta pubblica.

La presente garanzia non è trasferibile.

I diritti legali del consumatore, stabiliti dalle leggi vigenti in materia di vendita di beni di consumo nel relativo paese, non vengono intaccati dalla presente garanzia.

### Disposizioni aggiuntive sulla garanzia

Per tutta la durata della garanzia, in linea di principio, Guillemot non fornirà alcuna parte di ricambio, in quanto la sola Assistenza Tecnica è la parte autorizzata ad aprire e/o rimettere in funzionamento tutti i prodotti Thrustmaster (fatta eccezione per eventuali procedure di rimessa in operatività che l'Assistenza Tecnica potrebbe richiedere al consumatore, attraverso istruzioni scritte – viste, ad esempio, la semplicità e la mancanza di riservatezza della procedura di rimessa in operatività – e fornendo al consumatore le necessarie parti di ricambio, se ve ne fosse l'esigenza).

Considerando i propri cicli di innovazione e per proteggere il proprio know-how e i propri segreti commerciali, in linea di principio, Guillemot non fornirà alcuna notifica o parte di ricambio finalizzata alla rimessa in attività di un qualunque prodotto Thrustmaster il cui periodo di garanzia risultasse scaduto.

### Responsabilità

Qualora le leggi applicabili in materia lo consentano, Guillemot Corporation S.A. (d'ora in avanti "Guillemot") e le sue controllate declinano ogni responsabilità per qualsiasi danno derivante da almeno una delle seguenti condizioni: (1) il prodotto è stato modificato, aperto o alterato; (2) mancato rispetto delle istruzioni di installazione; (3) uso inappropriato o non permesso, negligenza, incidente (come, ad esempio, un impatto); (4) semplice usura; (5) utilizzo del prodotto per qualsiasi altro scopo al di fuori dell'uso domestico, comprese finalità professionali o commerciali (esempio: sale giochi, allenamenti, concorsi). Qualora le leggi applicabili in materia lo consentano, Guillemot e le sue controllate declinano ogni responsabilità per qualsiasi danno non riconducibile a difetti nei materiali o nella fabbricazione del prodotto (compresi, ma non i soli, potenziali danni causati direttamente o indirettamente da un qualunque software, oppure dall'uso del prodotto Thrustmaster in combinazione con elementi inadatti, tra cui, in particolare, batterie ricaricabili, caricatori o qualsiasi altro elemento non fornito da Guillemot per questo prodotto).

**THRUSTMASTER®**

**ASSISTENZA TECNICA**

<http://support.thrustmaster.com>





## COPYRIGHT

© 2017 Guillemot Corporation S.A. Tutti i diritti riservati. Thrustmaster® è un marchio registrato di proprietà di Guillemot Corporation S.A. Ferrari® è un marchio depositato di Ferrari Idea S.p.A. Tutti gli altri marchi appartengono ai legittimi proprietari. Illustrazioni escluse. I contenuti, i design e le caratteristiche possono essere oggetto di modifiche senza preavviso e possono variare da un Paese all'altro. Fabbricato in Cina.

## RACCOMANDAZIONI SULLA TUTELA DELL'AMBIENTE



\* Nell'Unione Europea: Al termine della sua vita operativa, questo prodotto non dovrebbe essere gettato assieme ai comuni rifiuti, ma dovrebbe essere portato ad un apposito punto di raccolta destinato al riciclaggio del Materiale Elettrico ed Elettronico.

Ciò è confermato dal simbolo riportato sul prodotto, nel manuale d'uso o sulla confezione.

A seconda delle proprie caratteristiche, i materiali potrebbero essere riciclati. Tramite il riciclaggio ed altre forme di trattamento del Materiale Elettrico ed Elettronico, è possibile fornire un importante contributo per la salvaguardia dell'ambiente.

Per conoscere i punti di raccolta più vicini a te, contatta le autorità locali competenti.

In tutti gli altri Paesi: per favore, rispetta le leggi locali sul riciclo dei materiali elettrici ed elettronici.

Informazioni da conservare. I colori e le decorazioni possono variare.

I ganci di plastica e gli adesivi dovrebbero essere rimossi dal prodotto prima che quest'ultimo venga utilizzato.

[www.thrustmaster.com](http://www.thrustmaster.com)

*\*Valido solo in UE e Turchia*

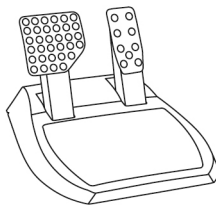
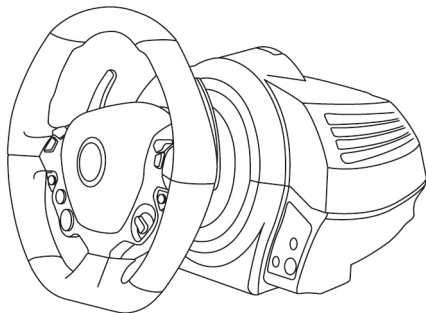


# TX Racing Wheel

FERRARI 458 ITALIA EDITION

PARA XBOX ONE

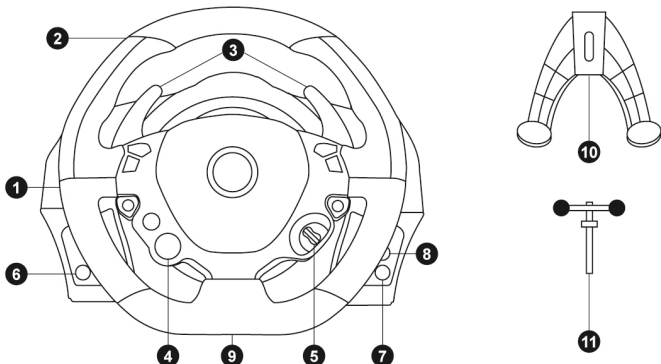
Manual del usuario



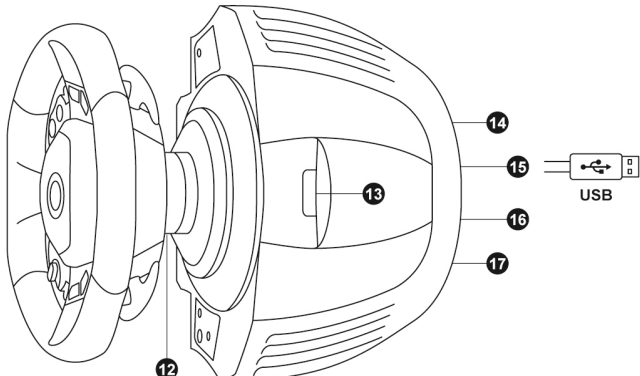
**AVISO:**

Para asegurarte de que tu TX Racing Wheel funcione correctamente con juegos para XBOX ONE, puede que tengas que instalar las actualizaciones automáticas de los juegos (disponibles cuando tu consola de juegos está conectada a Internet).

# ESPECIFICACIONES TÉCNICAS



- |   |   |
|---|---|
| 1 Base del volante de carreras                                  | 7 Botón Xbox Guide  |
| 2 Volante de carreras   | 8 Luz indicadora blanca   |
| 3 2 palancas secuenciales de cambio de marchas (Arriba y Abajo) | 9 Agujero roscado grande (para sistema de fijación y tornillo de apriete) |
| 4 D-Pad multidireccional (Engine Start)                         | 10 Sistema de fijación  |
| 5 Manettino (2 posiciones)                                      | 11 Tornillo de sujeción metálico  |
| 6 Botón MODE + luz indicadora roja/verde                        |   |



- |  |   |
|--|---|
| 12 Thrustmaster Quick Release  | 15 Conector y cable USB del volante de carreras                               |
| 13 Emparejamiento del controlador (para detección de Kinect™)                | 16 Conector de la caja de cambios (vendida por separado, próximo lanzamiento) |
| 14 Conector de alimentación eléctrica (tipo A o B) (Varía de un país a otro) | 17 Conector de los pedales  |

## ¡CONEXIÓN DEL VOLANTE DE CARRERAS A LA RED ELÉCTRICA = LEER ANTES DE CONTINUAR!

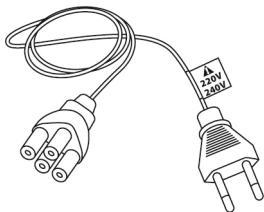
El suministro de alimentación de tu volante de carreras varía en función del país en el que hayas comprado el dispositivo. El suministro eléctrico puede ser:

### Interno, con:

\* Una unidad de suministro de alimentación situada directamente en el interior de la base del volante de carreras, con un conector de tipo A.

Un cable de suministro de alimentación eléctrica de 220-240 V

= compatible sólo con un suministro eléctrico de 220-240 V.



**¡No conectes nunca el cable de 220-240 V a un enchufe eléctrico de 100-130 V!**

**¡No conectes nunca este cable a un adaptador de corriente eléctrica!**

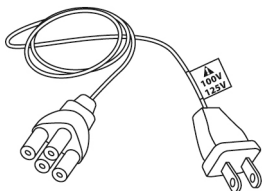


### Interno, con:

\* Una unidad de suministro de alimentación situada directamente en el interior de la base del volante de carreras, con un conector de tipo A.

\* Un cable de suministro de alimentación de 100-125 V

= compatible sólo con un suministro eléctrico de 100-125 V.



**¡No conectes nunca el cable de 100-125 V a un enchufe eléctrico de 220-240 V!**

**¡No conectes nunca este cable a un adaptador de corriente eléctrica!**



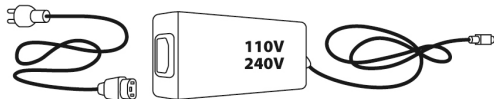
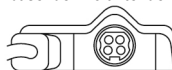
**¡IMPORTANTE: Si no sabes qué tensión se suministra en la zona en la que estás usando el volante de carreras, consulta a tu suministrador eléctrico local.**

### Externo, con:

\* Una unidad de suministro de alimentación externa situada en la base del volante de carreras, con un conector de tipo B.

\* Un cable de suministro de alimentación eléctrica

= compatible con todas las tensiones de suministro, 110-240 V.



## AVISO

Antes de usar este producto, lee detenidamente esta documentación y consérvala por si necesitas consultarla posteriormente.



### **Advertencia – Descarga eléctrica**

- \* Guarda el producto en un lugar seco y no lo expongas al polvo ni a la luz del sol.
- \* Respeta las indicaciones de conexión.
- \* No retuerzas ni tires de los conectores ni de los cables.
- \* No derrames líquidos en el producto ni en sus conectores.
- \* No cortocircuites el producto.
- \* No desmontes nunca el producto ni lo lances al fuego ni lo expongas a temperaturas elevadas.
- \* No utilices otro cable de suministro de alimentación distinto del proporcionado con el volante.
- \* No utilices el cable de suministro de alimentación eléctrica si el cable o los conectores están dañados, partidos o rotos.
- \* Asegúrate de que el cable de alimentación eléctrica está correctamente insertado en el enchufe eléctrico y en el conector situado en la cara trasera de la base del volante de carreras.
- \* No lo abras, en el interior no hay piezas sustituibles por el usuario. Consulta respecto al mantenimiento al fabricante, a una agencia específica o a un técnico cualificado.
- \* Utiliza únicamente accesorios especificados por el fabricante.
- \* Si el volante se comporta de forma inusual (si emite sonidos anormales, calor u olores), deja de utilizarlo inmediatamente, desconecta el cable de alimentación del enchufe y los demás cables.
- \* Si no vas a utilizar el volante durante un período prolongado, desenchufa el adaptador para la red eléctrica del enchufe de la pared.



### **Rejillas de ventilación**

Asegúrate de no bloquear ninguna de las rejillas de ventilación de la base del volante. Para obtener una ventilación óptima, respeta los puntos siguientes:

- \* Coloca la base al menos a 10 cm de distancia de las paredes.
- \* No coloques la base en espacios estrechos.
- \* No tapes la base.
- \* No dejes que se acumule polvo en las rejillas de ventilación.



**Por motivos de seguridad, no utilizar nunca los pedales con los pies desnudos o únicamente con calcetines en los pies.**  
**THRUSTMASTER® DECLINA CUALQUIER RESPONSABILIDAD EN CASO DE LESIONES PRODUCTO DEL USO DE LOS PEDALES SIN CALZADO.**



### **Advertencia – Lesiones debidas al force feedback y los movimientos repetitivos**

Jugar con un volante con force feedback puede producir dolor en las articulaciones o en los músculos. Para evitar problemas:

- \* Evita jugar durante períodos prolongados.
- \* Haz descansos de 10 a 15 minutos por cada hora de juego.
- \* Si sientes fatiga o dolor en las manos, muñecas, brazos, pies o piernas, deja de jugar y descansa durante unas horas antes de volver a jugar.



## **Advertencia – Lesiones debidas al force feedback y los movimientos repetitivos (cont.)**

\* Si los síntomas o el dolor indicados anteriormente persisten cuando vuelves a jugar, deja de hacerlo y consulta al médico.

\* Mantén el volante fuera del alcance de los niños.

\* Durante el juego, mantén siempre ambas manos colocadas correctamente en el volante sin dejarlas completamente caídas.

\* Mientras estés jugando, no coloques nunca las manos ni los dedos debajo de los pedales, ni tampoco cerca de ellos.

\* Durante la calibración y el juego, no metas nunca las manos ni los brazos a través de las aberturas del volante de carreras.

\* Asegúrate de que la base del volante esté cuidadosamente anclada según las instrucciones.

### **PRODUCTO PESADO**

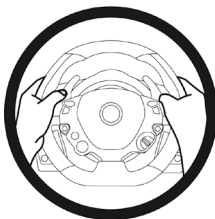


El volante sólo puede ser manejado por usuarios de 16 años de edad como mínimo



¡Ten cuidado de no dejar caer el producto encima de ti o de otra persona!

**SIEMPRE**



**NUNCA**



**NUNCA**





**Advertencia – Peligro de pillarse los dedos con los pedales mientras se juega**

- \* Mantén los pedales fuera del alcance de los niños.
- \* Cuando juegues, no pongas nunca los dedos en los lados de los pedales ni cerca de ellos.
- \* Cuando juegues, no dejes nunca los dedos sobre la base trasera de los pedales ni cerca de ella.
- \* Cuando juegues, no coloques nunca los dedos sobre la base delantera de los pedales ni cerca de ella.

**NUNCA**



**NUNCA**



**NUNCA**



**Advertencia – Peligro de pillarse los dedos con los pedales cuando no se juega**

- \* Guarda los pedales en un lugar seguro y lejos del alcance de los niños.

## FIJACIÓN DEL VOLANTE DE CARRERAS FERRARI 458 ITALIA A SU BASE

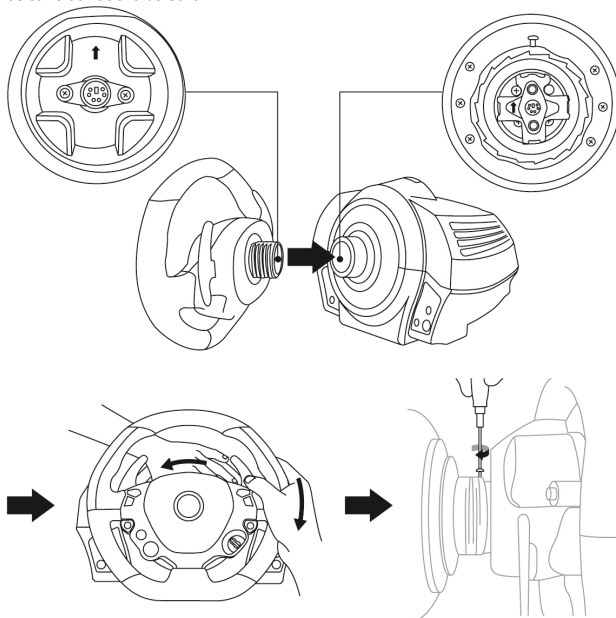
Alinea las ubicaciones de los conectores usando las flechas:

**Conector de la base (1):** Flecha apuntando hacia arriba

**Conector del volante de carreras (2):** Flecha apuntando hacia arriba

Una vez que los conectores estén colocados correctamente, simplemente gira el anillo del dispositivo Thrustmaster Quick Release (12) hacia la izquierda, mientras sostienes el volante de carreras (2) en su posición.

A continuación, aprieta el anillo todo lo que puedas; para ello, mantén el anillo en su posición y gira el volante de carreras hacia la derecha.



Una vez que hayas instalado el volante de carreras FERRARI 458 ITALIA, giralo 180° (cuando mires al volante, el logotipo de FERRARI debería estar al revés) para acceder al pequeño tornillo de fijación situado en el dispositivo Thrustmaster Quick Release (12). Usando un destornillador grande de cruz para apretar el pequeño tornillo de fijación (no utilices una fuerza excesiva), giralo hacia la derecha.



**¡No utilices una fuerza excesiva cuando atornilles el pequeño tornillo de fijación (usando un destornillador de cruz)! Deja de girar el tornillo en cuanto notes algo de resistencia.**

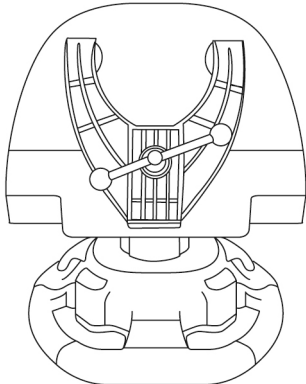


## FIJACIÓN DEL VOLANTE DE CARRERAS

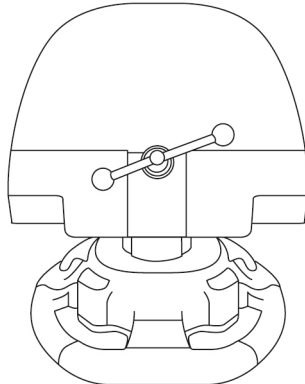
### Fijación del volante de carreras a una mesa o un escritorio

1. Coloca el volante de carreras en una mesa o en otra superficie horizontal, plana y estable.
2. Inserta el tornillo de sujeción **(11)** en el sistema de fijación **(10)** y, a continuación, aprieta el dispositivo girando el tornillo a la izquierda, para que entre en el agujero roscado grande **(9)** situado debajo del volante de carreras, hasta que el dispositivo esté perfectamente estable.

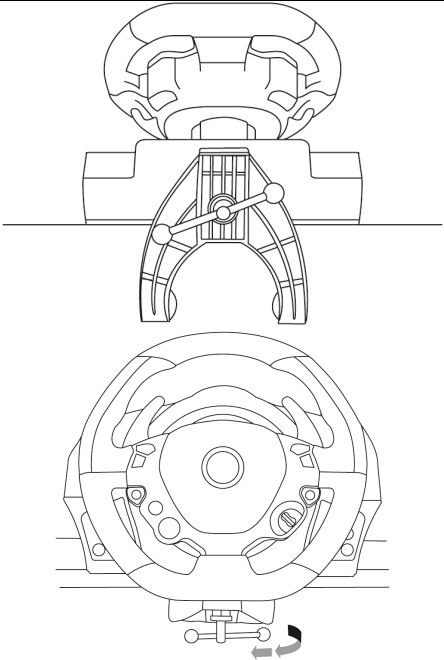
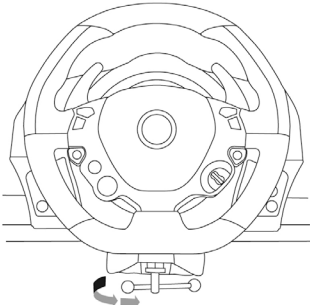
**SIEMPRE**



**NUNCA**



**AVISO: ¡No aprietes nunca el tornillo solo, sin el sistema de fijación!  
(De hacerlo así, se podría dañar el volante).**

COLOCACIÓN / RETIRADA	INDICACIÓN
<p><b><u>Para apretar:</u></b></p> <p><b><i>Gira el tornillo hacia la izquierda</i></b></p>	
<p><b><u>Para aflojar:</u></b></p> <p><b><i>Gira el tornillo hacia la derecha</i></b></p>	

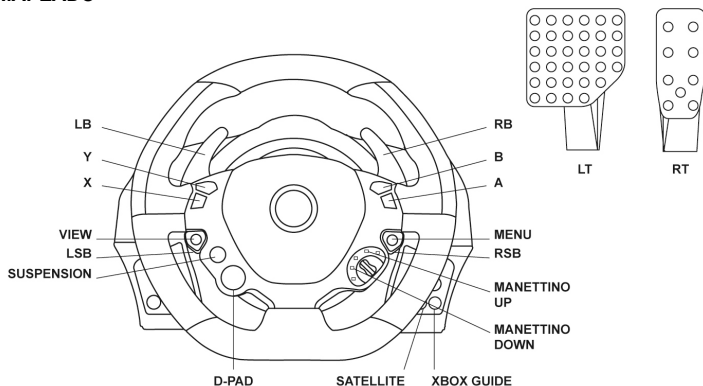
## Fijación de la base del volante de carreras a una cabina

1. Coloca la base del volante de carreras en el estante de la cabina.
2. Pasa dos tornillos M6 (no incluidos) a través del estante de la cabina e insértalos en los dos agujeros roscados pequeños que hay debajo del volante de carreras.  
*Importante:* La longitud de los tornillos M6 no debería exceder el grosor del estante + 12 mm; tornillos más largos podrían dañar los componentes internos situados en la base del volante de carreras.
3. Si es necesario, aprieta el sistema de fijación estándar insertando el tornillo de sujeción en el agujero roscado grande.

## Fijación del volante de carreras a una cabina

1. Fija los pedales usando los pequeños agujeros roscados situados debajo de ellos.
2. Pasa dos tornillos M6 (no incluidos) a través del estante de la cabina e insértalos en los dos agujeros roscados pequeños situados debajo de los pedales.  
*Importante:* La longitud de los tornillos M6 no debería exceder el grosor del estante + 10 mm; tornillos más largos podrían dañar los componentes internos situados en los pedales.

## MAPEADO



En el lanzamiento del producto para Xbox One, los distintos botones de acción en el volante tendrán funciones idénticas en el juego.

En el futuro próximo, la actualización automática de tus juegos (las actualizaciones automáticas estarán disponibles si tu consola está conectada a Internet) y la actualización del firmware de tu volante de carreras te permitirán eliminar esas funciones duplicadas y aumentar el número de botones individuales.

## ACTUALIZACIÓN DEL FIRMWARE DE TU VOLANTE DE CARRERAS

El firmware incluido en la base de tu volante de carreras se puede actualizar a una versión más reciente que incluya mejoras del producto.

Para mostrar la versión de firmware que está usando actualmente tu volante de carreras y actualizarla es necesario: en PC, visita <http://support.thrustmaster.com>. Haz clic en **Volantes de carreras / TX Racing Wheel**, después selecciona **Firmware** y sigue las instrucciones que describen el procedimiento de descarga e instalación.

## CONFIGURACIÓN DEL VOLANTE DE CARRERAS PARA LA XBOX ONE

1. Conecta los pedales al conector (17) situado en la parte trasera de la base del volante de carreras.
2. Conecta el cable de suministro de alimentación al conector (14) situado en la parte trasera de la base del volante de carreras.
3. Conecta el cable de suministro de alimentación a un enchufe eléctrico con las especificaciones de tensión apropiadas.



**Para obtener más información sobre esto, consulta la sección CONEXIÓN DEL VOLANTE DE CARRERAS A LA RED ELÉCTRICA, en la página 3 de este manual.**

4. Conecta el conector USB del volante de carreras (15) a uno de los puertos USB de la consola.

**¡Ya estás preparado para correr!**

## CALIBRACIÓN AUTOMÁTICA DEL VOLANTE Y DE LOS PEDALES

El volante de carreras se autocalibra automáticamente cuando conectas el volante de carreras a la red eléctrica y el conector USB del volante de carreras a la consola.

Durante esta fase, el volante de carreras girará rápidamente hacia la izquierda y la derecha, cubriendo un ángulo de 90 grados, antes de detenerse en el centro.



**AVISO:**

**¡No toques nunca el volante de carreras durante la fase de autocalibración!  
(Esto podría provocar una calibración incorrecta o lesiones personales).**

## CALIBRACIÓN AUTOMÁTICA DE LOS PEDALES

No conectes nunca los pedales a la base del volante (ni los desconectes de la base) cuando esté conectada a la consola o durante el juego (esto podría provocar una calibración incorrecta).

Conecta siempre los pedales antes de conectar el volante de carreras a la consola.

Una vez que se haya realizado la calibración del volante de carreras y que el juego se haya ejecutado, los pedales se calibran automáticamente tras presionarlos unas cuantas veces.



**AVISO:**

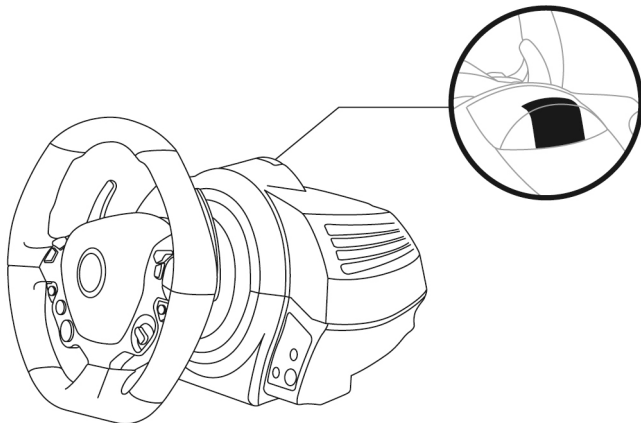
**¡No presiones nunca los pedales durante la fase de autocalibración del volante de carreras o mientras un juego está cargando!  
(Esto podría provocar una calibración incorrecta)**

**Si el volante de carreras y los pedales no funcionan correctamente o la calibración parece incorrecta:**

Apaga la consola, desconecta por completo el volante de carreras, vuelve a conectar todos los cables (utilizando el cable de suministro de alimentación y los pedales) y, a continuación, reinicia la consola y el juego.

## **EMPAREJAMIENTO DEL CONTROLADOR (13)**

Para garantizar la detección correcta del volante de carreras, el sistema de emparejamiento del controlador del dispositivo (*situado en la sección superior de la base del volante de carreras*) siempre debe permanecer en el campo de visión de la cámara del KINECT™.



## **SENSOR DE TEMPERATURA INTERNO**

Por razones de seguridad, la base del volante de carreras incorpora un sensor de temperatura.

Si la temperatura del dispositivo se vuelve demasiado elevada, el volante de carreras se puede apagar de repente.

En este caso:

- Desenchufa el cable de suministro de alimentación de la red eléctrica y el conector USB del dispositivo.
- Espera a que la base del volante de carreras se enfríe por completo.
- A continuación, vuelve a conectar el dispositivo.

## BOTÓN MODE Y LUZ INDICADORA (6)

### Botón MODE de los pedales

Con el TX Racing Wheel se incluyen 2 pedales.

Al utilizar estos pedales, asegúrate de que la luz indicadora permanezca en rojo o el pedal del acelerador no funcionará correctamente.

El TX Racing Wheel también es compatible con los pedales de Thrustmaster que incluyan 3 pedales (*vendidos por separado; lanzamiento futuro*) que te permitirán intercambiar electrónicamente los pedales del acelerador y el embrague.

Para ello, simplemente pulsa el botón MODE (6) durante 2 segundos.

La memoria interna del volante de carreras almacena si los pedales se han intercambiado o no.

PEDALES DEL ACELERADOR Y EL EMBRAGUE	Color de la luz indicadora MODE (6)
NORMAL	ROJO
INTERCAMBIADOS	VERDE

### Otros consejos para el botón MODE

Para obtener más información sobre el botón MODE y la luz indicadora, visita <http://support.thrustmaster.com>. Haz clic en **Volantes de carreras / TX Racing Wheel** y luego selecciona **Manual** o **PF**.

### ARCHIVOS DE AYUDA Y FAQs (no expuestos en este manual)

Visita <http://support.thrustmaster.com>. Haz clic en **Volantes de carreras / TX Racing Wheel** y luego selecciona **Manual** o **PF**.

## **INFORMACIÓN DE GARANTÍA AL CONSUMIDOR**

En todo el mundo, Guillemot Corporation S.A., cuyo domicilio legal se encuentra en Place du Granier, B.P. 97143, 35571 Chantepie, Francia (en lo sucesivo "Guillemot") garantiza al consumidor que este producto de Thrustmaster estará libre de defectos de materiales y mano de obra, durante un período de garantía que corresponde al límite de tiempo para interponer una acción legal referida a la conformidad en relación con este producto. En los países de la Unión Europea, esto corresponde a un período de dos (2) años a partir de la entrega del producto de Thrustmaster. En otros países, el período de garantía corresponde al límite de tiempo para interponer una acción legal referida a la conformidad en relación con este producto de Thrustmaster según las leyes aplicables del país en el que el consumidor estuviese domiciliado en la fecha de compra del producto de Thrustmaster (si no existiese una acción similar en el país correspondiente, entonces el período de garantía será de un (1) año a partir de la fecha de compra original del producto de Thrustmaster).

Si el producto resultase defectuoso durante el período de garantía, hay que ponerse en contacto inmediatamente con el Soporte Técnico, que indicará el procedimiento a seguir. Si se confirma el defecto, el producto debe devolverse a su lugar de compra (o a cualquier otra ubicación indicada por el Soporte Técnico).

Dentro del contexto de esta garantía, el producto defectuoso del consumidor será sustituido o restaurado su funcionamiento correcto. Si, durante el período de garantía, el producto de Thrustmaster fuese sometido a dicho reacondicionamiento, cualquier período de cómo mínimo siete (7) días durante el que el producto no se pueda usar se añadirá al período de garantía restante (este período va desde la fecha de petición de intervención del consumidor o desde la fecha en la que el producto se entrega para el reacondicionamiento, si la fecha en la que el producto se entrega para el reacondicionamiento fuese posterior a la fecha de la petición de intervención). Si la ley aplicable lo permite, toda la responsabilidad de Guillemot y sus filiales (incluso por daños resultantes) se limita a la restauración del funcionamiento correcto o la sustitución del producto de Thrustmaster. Si la ley aplicable lo permite, Guillemot renuncia a todas las garantías de comerciabilidad o adecuación para un propósito determinado.

Esta garantía no se aplicará: (1) si el producto ha sido modificado, abierto, alterado o ha sufrido daños como resultado de un uso inapropiado o abuso, negligencia, accidente, desgaste normal, o cualquier otra causa no relacionada con un defecto de materiales o fabricación (incluyendo, pero no de forma exclusiva, la combinación del producto de Thrustmaster con cualquier elemento no adecuado, incluyendo en particular fuentes de alimentación, baterías recargables, cargadores o cualquier otro elemento no suministrado por Guillemot para este producto); (2) si el producto se ha empleado para otro uso distinto del doméstico, incluyendo fines profesionales o comerciales (salones de juego, entrenamiento, competiciones, por ejemplo); (3) en caso de incumplimiento de las instrucciones proporcionadas por el Soporte Técnico; (4) a software, es decir software sujeto a una garantía específica; (5) a consumibles (elementos que se tienen que reemplazar a lo largo de la vida del producto: por ejemplo, baterías desechables o almohadillas para auriculares de audio); (6) a accesorios (por ejemplo, cables, cajas, bolsas, bolsos o muñequeras); (7) si el producto se ha vendido en una subasta pública.

Esta garantía no es transferible.

Los derechos legales del consumidor en relación con las leyes aplicables a la venta de productos de consumo de su país no se ven afectados por esta garantía.

## Provisiones de garantía adicionales

Durante el período de garantía, Guillemot no proporcionará, en principio, ninguna pieza de repuesto, ya que el Soporte Técnico es el único autorizado para abrir y/o reacondicionar los productos de Thrustmaster (con la excepción de los procedimientos de reacondicionamiento que el Soporte técnico puede solicitar que lleve a cabo el consumidor, mediante instrucciones por escrito – por ejemplo, debido a la simplicidad y la falta de confidencialidad del proceso de reacondicionamiento – y suministrando al consumidor las piezas de repuesto necesarias, si hiciese falta).

Debido a sus ciclos de innovación y para proteger su know-how y secretos comerciales, Guillemot no proporcionará, en principio, ninguna pieza de repuesto ni instrucciones de reacondicionamiento para los productos de Thrustmaster cuyo período de garantía haya vencido.

En los Estados Unidos de América y en Canadá, esta garantía está limitada al mecanismo interno del producto y al alojamiento externo. En ningún caso, Guillemot ni sus filiales serán responsables ante terceros por daños resultantes o fortuitos resultado del incumplimiento de cualquier garantía expresa o implícita. En algunos estados o provincias no se permite la limitación de la duración de una garantía implícita ni la exclusión o limitación de responsabilidad por daños resultantes o fortuitos, por lo que las limitaciones o exclusiones anteriores pueden no ser aplicables. Esta garantía ofrece derechos legales específicos al consumidor, que también puede tener otros derechos que pueden variar de un estado a otro o de una provincia a otra.

## Responsabilidad

Si la ley aplicable lo permite, Guillemot Corporation S.A. (en lo sucesivo “Guillemot”) y sus filiales renuncian a toda responsabilidad por los daños causados por uno o más de los siguientes motivos: (1) el producto ha sido modificado, abierto o alterado; (2) incumplimiento de las instrucciones de montaje; (3) uso inapropiado o abuso, negligencia, accidente (un impacto, por ejemplo); (4) desgaste normal; (5) el producto se ha empleado para otro uso distinto del doméstico, incluyendo fines profesionales o comerciales (salones de juego, entrenamiento, competiciones, por ejemplo). Si la ley aplicable lo permite, Guillemot y sus filiales renuncian a toda responsabilidad por los daños no relacionados con defectos de materiales o fabricación en relación con el producto (incluyendo, pero no de forma exclusiva, los daños causados de forma directa o indirecta por cualquier software, o por combinar el producto de Thrustmaster con cualquier elemento no adecuado, incluyendo en particular fuentes de alimentación, baterías recargables, cargadores o cualquier otro elemento no suministrado por Guillemot para este producto).

**THRUSTMASTER®**

**SOPORTE TÉCNICO**

<http://support.thrustmaster.com>

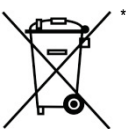




## COPYRIGHT

© 2017 Guillemot Corporation S.A. Todos los derechos reservados. Thrustmaster® es una marca registrada de Guillemot Corporation S.A. Ferrari® es una marca registrada de Ferrari Idea S.p.A. Todas las demás marcas son propiedad de sus respectivos dueños. Ilustraciones no definitivas. El contenido, la concepción y las especificaciones son susceptibles de cambiar sin previo aviso y varían según el país. Fabricado en China.

## RECOMENDACIÓN DE PROTECCIÓN AMBIENTAL



\* En la Unión Europea: Al terminar su vida útil, este producto no debe tirarse en un contenedor de basuras estándar, sino que debe dejarse en un punto de recogida de desechos eléctricos y equipamiento electrónico para ser reciclado.

Esto viene confirmado por el símbolo que se encuentra en el producto, manual del usuario o embalaje.

Dependiendo de sus características, los materiales pueden reciclarse. Mediante el reciclaje y otras formas de procesamiento de los desechos eléctricos y el equipamiento electrónico puedes contribuir de forma significativa a ayudar a proteger el medio ambiente.

Contacta con las autoridades locales para más información sobre el punto de recogida más cercano.

Para los demás países: cumples las leyes locales sobre reciclaje de equipos eléctricos y electrónicos.

Esta información debe conservarse. Los colores y motivos decorativos pueden variar.

Los adhesivos y los cierres de plástico se deben quitar del producto antes de utilizarlo.

[www.thrustmaster.com](http://www.thrustmaster.com)

*\*Aplicable únicamente a la UE y Turquía*

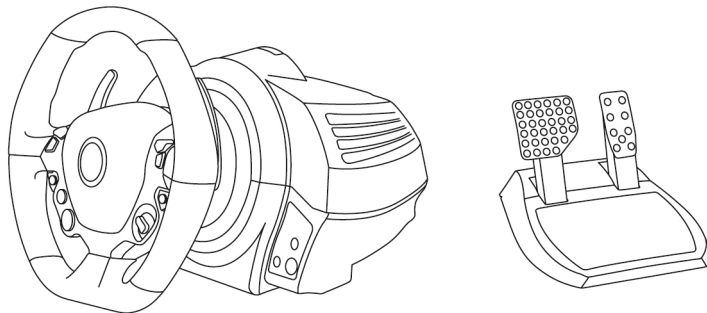


# TX Racing Wheel

FERRARI 458 ITALIA EDITION

PARA XBOX ONE

Manual do Utilizador



## **ATENÇÃO:**

Para garantir que o seu TX Racing Wheel funciona corretamente com jogos para a XBOX ONE, poderá ser-lhe pedido para instalar as atualizações automáticas dos jogos (disponível quando a sua consola de jogos está ligada à Internet).

ENGLISH

FRAANÇAIS

DEUTSCH

NEDERLANDS

ITALIANO

ESPAÑOL

PORTUGUES

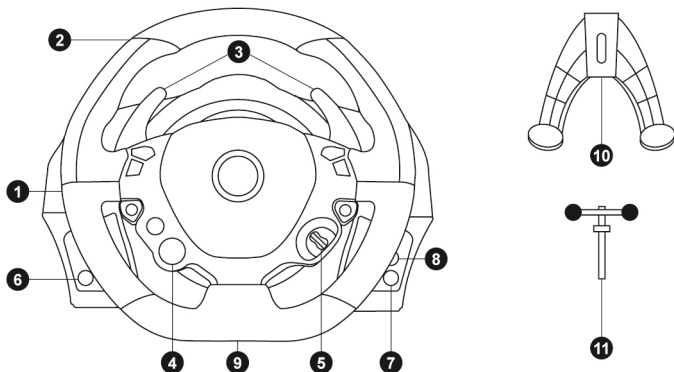
РУССКИЙ

ΕΛΛΗΝΙΚΑ

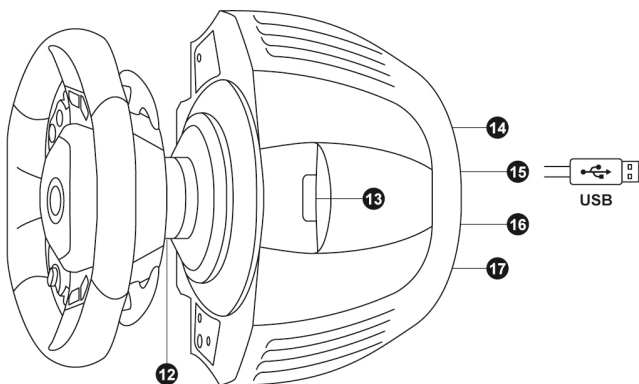
TÜRKÇE

POLSKI

## ESPECIFICAÇÕES TÉCNICAS



- |  |  |
|--|--|
| 1 Base do volante                                    | 7 Botão Xbox Guide   |
| 2 Volante  | 8 Luz indicadora branca  |
| 3 2 alavancas de velocidades sequenciais (Up e Down) | 9 Furo roscado grande (para o sistema de fixação e parafuso de aperto) |
| 4 D-Pad multidirecional (Engine Start)               | 10 Sistema de fixação  |
| 5 Manettino (2 posições)                             | 11 Parafuso de aperto de metal   |
| 6 Botão MODE + Luz indicadora vermelha/verde         |  |



- |   |  |
|---|--|
| 12 Thrustmaster Quick Release                                     | 15 Cabo e conector USB do volante  |
| 13 Emparelhamento do controlador (para a deteção do Kinect™)      | 16 Conector da caixa de velocidades (vendida à parte, lançamento futuro) |
| 14 Conector de alimentação (tipo A ou B) (Varia consoante o país) | 17 Conector do conjunto de pedais  |

## LIGAR O VOLANTE À CORRENTE = LEIA COM ATENÇÃO

A fonte de alimentação do volante varia de acordo com o país onde adquiriu o seu dispositivo.

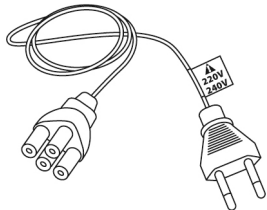
A alimentação pode ser:

### Interna, com:

\* Uma unidade de alimentação situada diretamente no interior da base do volante, com um conector de tipo A

Um cabo de alimentação de 220-240 V

= compatível apenas com alimentação elétrica de 220-240 V.



**Nunca ligue o cabo de 220-240 V  
a uma tomada elétrica de 100-130 V!  
Nunca ligue este cabo a um transformador!**

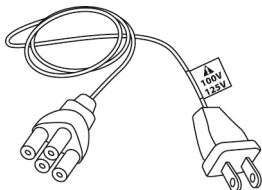


### Interna, com:

\* Uma unidade de alimentação situada diretamente no interior da base do volante, com um conector de tipo A

\* Um cabo de alimentação de 100-125 V

= compatível apenas com alimentação elétrica de 100-125 V.



**Nunca ligue o cabo de 100-125 V  
a uma tomada elétrica de 220-240 V!  
Nunca ligue este cabo a um transformador!**



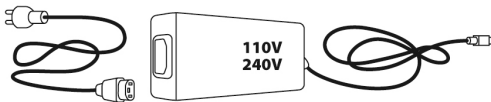
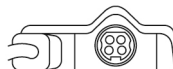
**IMPORTANTE:** se não sabe que tensão é fornecida na zona onde tenciona utilizar o volante, consulte o seu fornecedor de eletricidade local.

### Externa, com:

\* Uma unidade de alimentação externa situada na base do volante, com um conector de tipo B

\* Um cabo de alimentação

= compatível com todas as tensões de alimentação de 110-240 V.



## ATENÇÃO

Antes de utilizar este produto, leia atentamente a presente documentação e guarde-a num local seguro para o caso de necessitar de consultá-la mais tarde.



### **Atenção – Choque elétrico**

- \* Guarde o produto num local seco e não o exponha ao pó nem à luz do sol.
- \* Respeite as instruções de ligação.
- \* Não torça nem puxe os conectores e os cabos.
- \* Não derrame líquidos sobre o produto ou os respectivos conectores.
- \* Não provoque um curto-circuito no produto.
- \* Nunca desmonte o produto, não o atire para o fogo nem o exponha a temperaturas elevadas.
- \* Não utilize um cabo de alimentação diferente do fornecido com o volante.
- \* Não utilize o cabo de alimentação se o cabo ou os conectores estiverem danificados, fendidos ou partidos.
- \* Certifique-se de que o cabo de alimentação está devidamente inserido na tomada elétrica e no conector situado na face posterior da base do volante.
- \* Não abra. Não contém peças substituíveis pelo utilizador no interior. Confie a reparação ao fabricante, a uma agência certificada ou a um técnico qualificado.
- \* Utilize apenas acessórios especificados pelo fabricante.
- \* Se o volante estiver a funcionar de forma anormal (se emitir quaisquer sons, calor ou cheiros anormais), pare imediatamente de utilizá-lo, desligue o cabo de alimentação da tomada e desligue os outros cabos.
- \* Se prevê que não irá utilizar o volante durante um período de tempo alargado, desligue o transformador da tomada elétrica.



### **Aberturas de ventilação**

Certifique-se de que não tapa as aberturas de ventilação na base do volante. Para uma ventilação ideal, respeite os pontos abaixo:

- \* Posicione a base a pelo menos 10 cm de distância de quaisquer paredes.
- \* Não coloque a base em espaços apertados.
- \* Não tape a base.
- \* Não deixe que pó se acumule nas aberturas de ventilação.



**Por razões de segurança, nunca utilize o conjunto de pedais com os pés descalços ou quando estiver apenas de meias calçadas.**

**A THRUSTMASTER® NÃO ASSUME QUALQUER RESPONSABILIDADE NA EVENTUALIDADE DE DANOS FÍSICOS RESULTANTES DA UTILIZAÇÃO DO CONJUNTO DE PEDAIS SEM CALÇADO.**



### **Atenção – Ferimentos devido à força reativa e aos movimentos repetidos**

Jogar com um volante de força reativa pode causar dores musculares ou articulares. Para evitar quaisquer problemas:

- \* Evite jogar durante longos períodos de tempo.
- \* Faça um intervalo de 10 a 15 minutos após cada hora de jogo.
- \* Se sentir cansaço ou dores nas mãos, pulsos, braços, pés ou pernas, pare de jogar e descanse durante algumas horas antes de recomeçar a jogar.



## **Atenção – Ferimentos devido à força rectiva e aos movimentos repetidos (continuação)**

- \* Se os sintomas ou as dores acima indicados persistirem quando recomeçar a jogar, pare de jogar e consulte o seu médico.
- \* Guarde o volante fora do alcance das crianças.
- \* Durante os jogos, mantenha sempre ambas as mãos posicionadas corretamente no volante sem largá-lo por completo.
- \* Durante os jogos, nunca coloque as mãos ou os dedos por baixo dos pedais ou perto do conjunto de pedais.
- \* Durante a calibração e os jogos, nunca coloque a mão ou o braço através das aberturas existentes no volante.
- \* Confirme se a base do volante está devidamente fixada por meio do grampo conforme as instruções do manual.



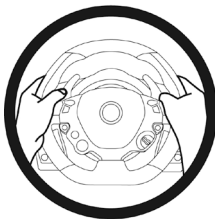
Para ser manuseado apenas por utilizadores com 16 anos de idade ou mais

## **PRODUTO PESADO**



Tenha cuidado para não deixar cair o produto em cima de si ou de outra pessoa!

**SEMPRE**



**NUNCA**



**NUNCA**





**Atenção – Perigo de entalamento no conjunto de pedais ao jogar**

- \* Guarde o conjunto de pedais fora do alcance das crianças.
- \* Quando jogar, nunca coloque os dedos nos lados dos pedais nem perto das mesmas.
- \* Quando jogar, nunca coloque os dedos na base posterior dos pedais nem perto da mesma.
- \* Quando jogar, nunca coloque os dedos na base frontal dos pedais nem perto da mesma.

**NUNCA**



**NUNCA**



**NUNCA**



**Atenção – Perigo de entalamento no conjunto de pedais em inatividade**

- \* Guarde o conjunto de pedais num local seguro e fora do alcance das crianças.

## FIXAÇÃO DO VOLANTE FERRARI 458 ITALIA À BASE

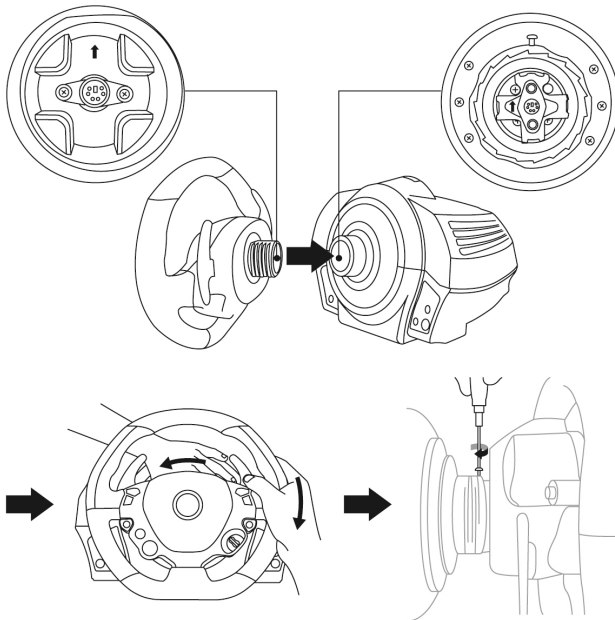
Alinhe as posições dos conectores com as setas:

**Conector da base (1):** Seta a apontar para cima

**Conector do volante (2):** Seta a apontar para cima

Assim que os conectores estiverem posicionados corretamente, rode o anel do dispositivo Thrustmaster Quick Release (12) no sentido anti-horário enquanto mantém o volante (2) na posição.

Em seguida, aperte o anel o máximo que conseguir; para tal, mantenha o anel na posição e rode o volante no sentido horário.



Depois de instalar o volante FERRARI 458 ITALIA, rode-o 180° (quando está virado de frente para o volante, o logótipo FERRARI deve ficar virado ao contrário) para aceder ao parafuso de fixação pequeno situado no dispositivo Thrustmaster Quick Release (12). Utilize uma chave de fendas Philips grande para apertar o parafuso de fixação pequeno (não aplique força excessiva), rodando-o no sentido horário.



**Não aplique força excessiva ao aparafusar o parafuso de fixação pequeno (com uma chave de fendas Philips)! Pare de rodar o parafuso assim que sentir alguma resistência.**

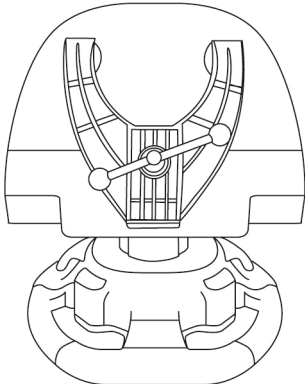


## FIXAÇÃO DO VOLANTE

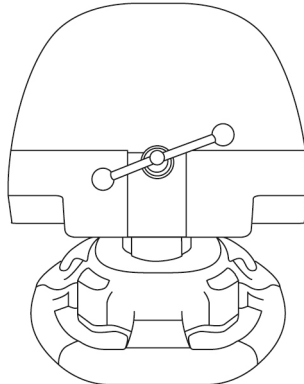
### Fixar o volante a uma mesa ou secretária

1. Coloque o volante em cima de uma mesa ou de qualquer outra superfície horizontal, plana e estável.
2. Insira o parafuso de aperto **(11)** no sistema de fixação **(10)**, em seguida aperte o dispositivo rodando o parafuso no sentido anti-horário, de forma que penetre no furo roscado grande **(9)** situado por baixo do volante, até o dispositivo estar perfeitamente estável.

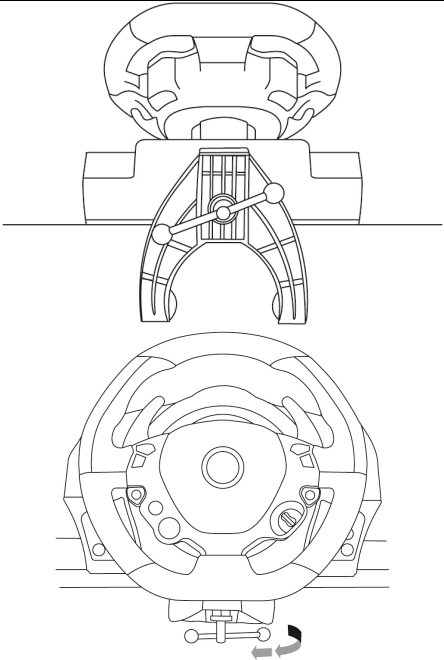
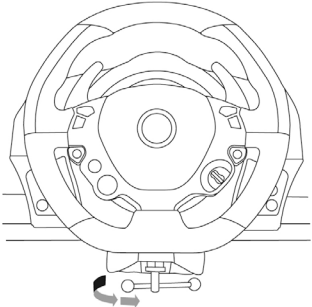
**SEMPRE**



**NUNCA**



**ATENÇÃO:** Nunca aperte apenas o parafuso, sem o sistema de fixação!  
(Se o fizer, poderá danificar o volante.)

FIXAÇÃO / REMOÇÃO	DIREÇÃO
<p><b><u>Para apertar:</u></b></p> <p><i>Rode o parafuso no sentido anti-horário</i></p>	
<p><b><u>Para soltar:</u></b></p> <p><i>Rode o parafuso no sentido horário</i></p>	

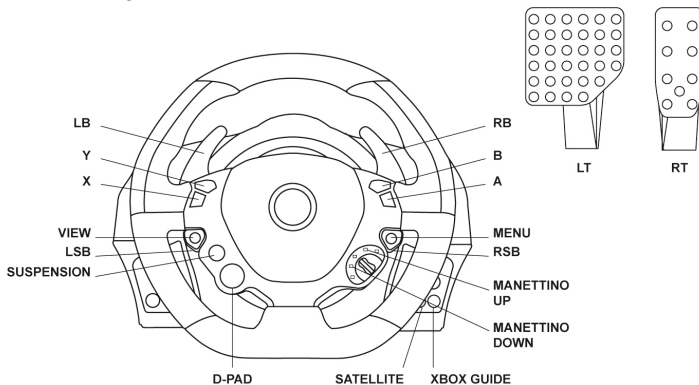
## Fixar a base do volante a um cockpit

1. Coloque a base do volante na prateleira do cockpit.
2. Insira dois parafusos M6 (não incluídos) na prateleira do cockpit e em seguida enrosque-os nos dois furos roscados pequenos situados por baixo do volante.  
*Importante: O comprimento dos parafusos M6 não deve exceder a espessura da prateleira + 12 mm; parafusos mais compridos poderão causar danos nos componentes internos situados na base do volante.*
3. Se necessário, aperte o sistema de fixação padrão inserindo o parafuso de aperto no furo roscado grande.

## Fixar o conjunto de pedais a um cockpit

1. Fixe o conjunto de pedais utilizando os furos roscados pequenos situados por baixo do mesmo.
2. Insira dois parafusos M6 (não incluídos) na prateleira do cockpit e em seguida enrosque-os nos dois furos roscados pequenos situados por baixo do conjunto de pedais.  
*Importante: O comprimento dos parafusos M6 não deve exceder a espessura da prateleira + +10 mm; parafusos mais compridos poderão causar danos nos componentes internos situados na base do conjunto de pedais.*

## MAPEAMENTO



Aquando do lançamento do produto na Xbox One, diferentes botões de ações no volante terão funcionalidades idênticas nos jogos.

Num futuro próximo, a atualização automática dos seus jogos (as atualizações automáticas estarão disponíveis se a sua consola estiver ligada à Internet) e a atualização do firmware do volante permitir-lhe-ão remover estas funcionalidades duplicadas e aumentar o número de botões individuais.

## ATUALIZAÇÃO DO FIRMWARE DO VOLANTE

O firmware incluído na base do volante pode ser atualizado para uma versão mais recente dotada de melhoramentos do produto.

Para visualizar a versão do firmware que o volante utiliza atualmente e atualizá-la, se necessário: no PC, acesse a <http://support.thrustmaster.com>. Clique em **Volantes / TX Racing Wheel**, em seguida selecione **Firmware** e siga as instruções que descrevem o procedimento de transferência e instalação.

## CONFIGURAÇÃO DO VOLANTE PARA A XBOX ONE

1. Ligue o conjunto de pedais ao conector (17) situado na parte posterior da base do volante.
2. Ligue o cabo de alimentação ao conector (14) situado na parte posterior da base do volante.
3. Ligue o cabo de alimentação a uma tomada elétrica com as especificações de tensão corretas.



**Para mais informações sobre isto, consulte a secção LIGAR O VOLANTE À CORRENTE, na página 3 deste manual.**

4. Ligue o conector USB do volante (15) a uma das portas USB da consola.

**Está pronto para começar a jogar!**

## CALIBRAGEM AUTOMÁTICA DO VOLANTE E DO CONJUNTO DE PEDAIS

O volante calibra-se automaticamente quando liga o volante à corrente e o conector USB do volante à consola.

Durante esta fase, o volante roda rapidamente para a esquerda e direita, cobrindo um ângulo de 90 graus, antes de parar no centro.



### **ATENÇÃO:**

**Nunca toque no volante durante a fase de autocalibragem!  
(Isto poderá causar uma calibragem incorreta e/ou ferimentos pessoais).**

## CALIBRAGEM AUTOMÁTICA DO CONJUNTO DE PEDAIS

Nunca ligue o conjunto de pedais à base do volante (nem o desligue da base) quando estiver ligado à consola ou durante os jogos (isto poderá causar uma calibragem incorreta).

Ligue sempre o conjunto de pedais antes de ligar o volante à consola.

Quando a calibragem do volante estiver concluída e o jogo iniciado, os pedais são calibrados automaticamente ao fim de várias pressões.



### **ATENÇÃO:**

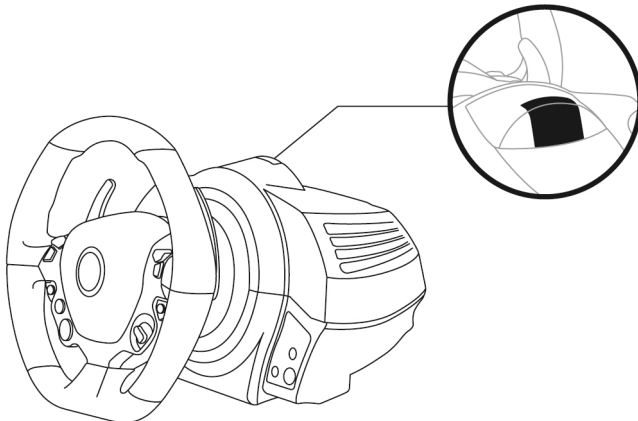
**Nunca carregue nos pedais  
durante a fase de autocalibragem ou quando houver um jogo a carregar!  
(Isto poderá causar uma calibragem incorreta)**

Se o volante e o conjunto de pedais não funcionam corretamente, ou se a calibragem parece incorreta:

Desligue a consola, desligue completamente o volante, volte a ligar todos os cabos (utilizando o cabo de alimentação e o conjunto de pedais) e em seguida reinicie a consola e o jogo.

## EMPARELHAMENTO DO CONTROLADOR (13)

Para assegurar a deteção correta do volante, a janela de emparelhamento do controlador (*situada na secção superior da base do volante*) deve permanecer constantemente no campo de visão da câmara KINECT™.



## SENSOR DE TEMPERATURA INTERNA

Por motivos de segurança, a base do volante possui um sensor de temperatura.

Se a temperatura do dispositivo aumentar demasiado, o volante poderá encerrar repentinamente.

Neste caso:

- Desligue o cabo de alimentação e o conector USB do dispositivo.
- Aguarde que a base do volante arrefeça completamente.
- Em seguida, volte a ligar o dispositivo.

## BOTÃO E LUZ INDICADORA MODE (6)

### Botão MODE para o conjunto de pedais

O conjunto de pedais incluído com o TX Racing Wheel possui 2 pedais.

Quando utilizar este conjunto de pedais, certifique-se de que a luz indicadora permanece vermelha, caso contrário o pedal do acelerador não funcionará corretamente.

O TX Racing Wheel também é compatível com conjuntos de pedais Thrustmaster dotados de 3 pedais (*vendidos à parte; lançamento futuro*); estes permitem-lhe trocar eletronicamente os pedais do acelerador e da embraiagem.

Para tal, basta premir o botão MODE (6) durante 2 segundos.

Na memória interna do volante fica guardado se os pedais foram trocados ou não.

PEDAIS DO ACELERADOR E DA EMBRAIAGEM	Cor da luz indicadora MODE (6)
NORMAL	VERMELHA
TROCADOS	VERDE

### Outras sugestões para o botão MODE

Para saber mais sobre o botão MODE e a luz indicadora, acesse a <http://support.thrustmaster.com>. Clique em **Volantes / TX Racing Wheel** e em seguida selecione **Manual** ou **FAQ**.

### FICHEIROS DE AJUDA E FAQ (não incluídos neste manual)

Aceda a <http://support.thrustmaster.com>. Clique em **Volantes / TX Racing Wheel** e em seguida selecione **Manual** ou **FAQ**.

## **INFORMAÇÕES SOBRE A GARANTIA PARA O CONSUMIDOR**

A Guillemot Corporation S.A., com sede social sita em Place du Granier, B.P. 97143, 35571 Chantepie, França (a seguir designada como "Guillemot") garante a nível mundial ao consumidor que este produto Thrustmaster está livre de defeitos em termos de materiais e fabrico durante um período de garantia que corresponde ao limite de tempo para intentar uma ação de conformidade relativamente a este produto. Nos países da União Europeia, isto corresponde a um período de dois (2) anos desde a entrega do produto Thrustmaster. Noutros países, o período de garantia corresponde ao limite de tempo para intentar uma ação de conformidade relativamente ao produto Thrustmaster de acordo com a legislação em vigor do país no qual o consumidor residia à data de compra do produto Thrustmaster (se a dita ação não existir no país correspondente, então o período de garantia será de um (1) ano a partir da data de compra original do produto Thrustmaster).

No caso de o produto apresentar algum defeito durante o período da garantia, contacte imediatamente o Suporte Técnico, que lhe indicará o procedimento a tomar. Se esse defeito se confirmar, o produto terá de ser devolvido ao respetivo local de compra (ou qualquer outro local indicado pelo Suporte Técnico).

No âmbito da presente garantia, e por opção do Suporte Técnico, o produto defeituoso do consumidor será substituído ou reparado. Se, durante o período da garantia, o produto Thrustmaster for submetido à dita reparação, qualquer período mínimo de (7) dias durante o qual o produto estiver fora de serviço será adicionado ao período da garantia restante (este período decorre desde a data do pedido intervenção pelo consumidor ou desde a data em que o produto em questão é disponibilizado para reparação, se a data em que o produto é disponibilizado para reparação for posterior à data do pedido de intervenção). Se for permitido pela legislação em vigor, a responsabilidade total da Guillemot e das respetivas filiais (incluindo para danos indiretos) está limitada à reparação ou à substituição do produto Thrustmaster. Se for permitido pela legislação em vigor, a Guillemot rejeita todas as garantias de comercialização ou adequação a um fim específico.

A presente garantia não se aplicará: (1) se o produto tiver sido modificado, aberto, alterado ou danificado em resultado de utilização inadequada ou abusiva, negligência, acidente, desgaste normal ou qualquer outra causa relacionada com um defeito de material ou fabrico (incluindo, mas sem limitação, combinar o produto Thrustmaster com qualquer elemento inadequado, incluindo, em particular, fontes de alimentação, baterias recarregáveis, carregadores ou quaisquer outros elementos não fornecidos pela Guillemot para este produto); (2) se o produto tiver sido utilizado fora do âmbito da utilização doméstica, incluindo para fins profissionais ou comerciais (salas de jogos, treino e competições, por exemplo); (3) na eventualidade de incumprimento das instruções fornecidas pelo Suporte Técnico; (4) a software, estando o mesmo sujeito a uma garantia específica; (5) a consumíveis (elementos para substituir ao longo da vida útil do produto: baterias descartáveis, auscultadores de áudio ou auriculares de auscultadores, por exemplo); (6) a acessórios (cabos, estojos, bolsas, sacos e correias de pulso, por exemplo); (7) se o produto foi vendido num leilão público.

A presente garantia não é transmissível.

Os direitos legais do consumidor no que concerne à legislação aplicável à venda de bens de consumo no seu país não são afetados pela presente garantia.

## Disposições de garantia adicionais

Durante o período da garantia, a Guillemot não fornecerá, em princípio, quaisquer peças de substituição, uma vez que o Suporte Técnico é a única parte autorizada a abrir e/ou reparar qualquer produto Thrustmaster (à exceção de quaisquer procedimentos de reparação que o Suporte Técnico possa pedir ao consumidor para realizar, através de instruções por escrito – por exemplo, devido à simplicidade e à falta de confidencialidade do processo de reparação – e fornecendo ao consumidor a(s) peça(s) de substituição necessária(s), quando aplicável).

Tendo em conta os seus ciclos de inovação, e a fim de proteger o seu know-how e segredos comerciais, a Guillemot não fornecerá, em princípio, qualquer notificação de reparação ou peças de substituição para produtos Thrustmaster cujo período da garantia tenha expirado.

Nos Estados Unidos da América e no Canadá, a presente garantia está limitada ao mecanismo interno e à caixa do produto. Em nenhuma circunstância serão a Guillemot ou as respetivas filiais consideradas responsáveis perante terceiros por quaisquer danos indiretos ou acidentais resultantes da violação de quaisquer garantias expressas ou implícitas. Alguns estados/províncias não permitem a limitação da duração de uma garantia implícita ou a exclusão ou limitação de responsabilidade por danos indiretos ou acidentais, pelo que as limitações ou exclusões supracitadas podem não se aplicar a si. A presente garantia concede-lhe direitos legais específicos, podendo ter também outros direitos, que variam consoante o estado ou a província.

## Responsabilidade

Se for permitido ao abrigo da legislação aplicável, a Guillemot Corporation S.A. (a seguir designada “Guillemot”) e as respetivas filiais rejeitam qualquer responsabilidade por danos resultantes de uma ou mais das seguintes causas: (1) o produto foi modificado, aberto ou alterado; (2) incumprimento das instruções de montagem; (3) utilização inadequada ou abusiva, negligência ou acidente (um impacto, por exemplo); (4) desgaste normal; (5) utilização do produto fora do âmbito além da utilização doméstica, incluindo para fins profissionais ou comerciais (salas de jogos, treino e competições, por exemplo). Se for permitido ao abrigo da legislação aplicável, a Guillemot e as respetivas filiais rejeitam qualquer responsabilidade por danos relacionados com um defeito de material ou fabrico relativamente ao produto (incluindo, mas sem limitação, quaisquer danos causados direta ou indiretamente por qualquer software ou por combinar o produto Thrustmaster com qualquer elemento inadequado, incluindo, em particular, fontes de alimentação, baterias recarregáveis, carregadores ou quaisquer outros elementos não fornecidos pela Guillemot para este produto).

**THRUSTMASTER®**

**SUPOORTE TÉCNICO**

<http://support.thrustmaster.com>





## DIREITOS DE AUTOR

© 2017 Guillemot Corporation S.A. Todos os direitos reservados. Thrustmaster® é uma marca registada da Guillemot Corporation S.A. Ferrari® é uma marca registada da Ferrari Idea S.p.A. Todas as outras marcas comerciais são pertencem aos respectivos proprietários. As ilustrações não são vinculativas. Os conteúdos, desenhos e especificações estão sujeitos a alteração sem aviso prévio e podem variar de país para país. Fabricado na China.

## RECOMENDAÇÕES DE PROTECÇÃO AMBIENTAL



Na União Europeia: Quando este produto chegar ao fim da sua vida útil, não o elimine juntamente com os resíduos domésticos normais; em vez disso, deixe-o num ponto de recolha de resíduos de equipamento eléctrico e electrónico (REEE) para posterior reciclagem.

O símbolo presente no produto, no manual de utilizador ou na caixa confirma-o.

Os materiais podem ser reciclados, dependendo das suas características. Através da reciclagem e de outras formas de processamento de resíduos de equipamento eléctrico e electrónico, pode dar um importante contributo no sentido de ajudar a proteger o ambiente.

Contacte as autoridades locais para saber onde fica o ponto de recolha mais perto da sua área de residência.

Relativamente a todos os outros países: Respeite a legislação local sobre a reciclagem de equipamento eléctrico e electrónico.

Informações a reter. As cores e as decorações podem variar.

Os fechos e os adesivos devem ser removidos do produto antes da utilização.

[www.thrustmaster.com](http://www.thrustmaster.com)

*\*Aplicável apenas à União Europeia e Turquia*

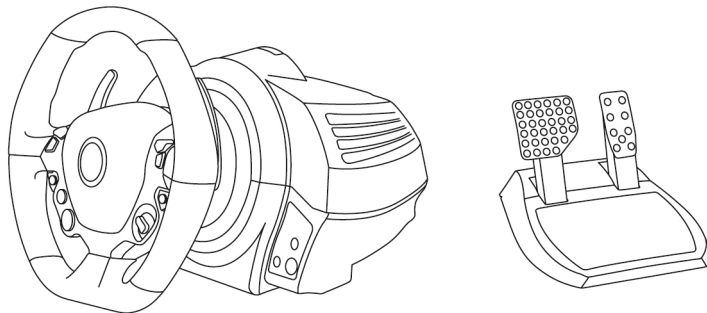


# TX Racing Wheel

FERRARI 458 ITALIA EDITION

ДЛЯ XBOX ONE

Инструкция по эксплуатации



## **ВНИМАНИЕ!**

Для обеспечения оптимальной совместимости рулевой системы TX с играми на XBOX ONE может потребоваться установка автоматических обновлений для игр (их можно загрузить, подключив игровую консоль к Интернету).

ENGLISH

FRAANÇAIS

DEUTSCH

NEDERLANDS

ITALIANO

ESPAÑOL

PORTUGUÊS

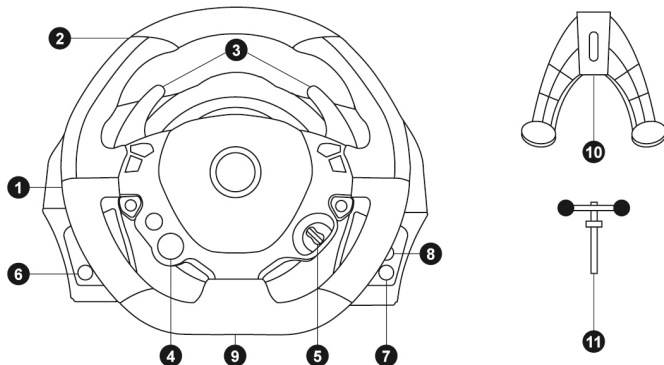
РУССКИЙ

EAЛHИKИ

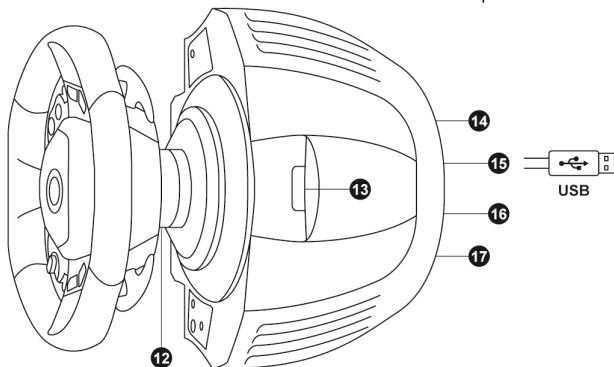
TÜRKÇE

POLSKI

## ТЕХНИЧЕСКИЕ ХАРАКТЕРИСТИКИ



- |   |  |    |  |
|---|--|----|--|
| 1 | База гоночного руля                                  | 6  | Кнопка MODE (Режим) + красный/зеленый индикатор                    |
| 2 | Гоночный руль  | 7  | Кнопка Xbox Guide  |
| 3 | 2 секвенционных переключателя передач (вверх и вниз) | 8  | Белый индикатор  |
| 4 | Многопозиционная кнопка D-Pad (Engine Start)         | 9  | Резьба под большой винт (для системы крепления и крепежного винта) |
| 5 | Переключатель Manettino (2 положения)                | 10 | Система крепления  |
|   |  | 11 | Металлический крепежный винт                                       |



- |    |  |    |   |
|----|--|----|---|
| 12 | Система крепления Thrustmaster Quick Release                                 | 15 | USB-кабель и разъем рулевой системы                                   |
| 13 | Идентификатор сопряжения контроллера (для распознавания Kinect™)             | 16 | Разъем для коробки передач (приобретается отдельно, выпуск ожидается) |
| 14 | Разъем для кабеля питания (типа А или В) (разные стандарты для разных стран) | 17 | Разъем для педального блока   |

## ПОДКЛЮЧЕНИЕ РУЛЕВОЙ СИСТЕМЫ К ЭЛЕКТРОПИТАНИЮ — СНАЧАЛА ПРОЧИТЕ СЛЕДУЮЩЕЕ!

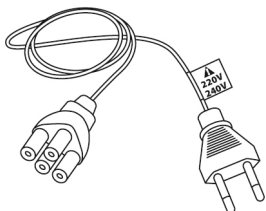
Тип блока питания рулевой системы зависит от страны приобретения устройства.  
Блок питания может быть одного из следующих типов.

### **Встроенный, в следующей комплектации:**

\* блок питания, интегрированный непосредственно в базу руля, с разъемом типа A;

\* кабель питания для сети напряжением 220—240 В

= совместимый только с розетками 220—240 В.



**Кабель для сети 220—240 В нельзя подключать к розетке с напряжением 100—130 В! Этот кабель нельзя подключать к сетевому адаптеру!**

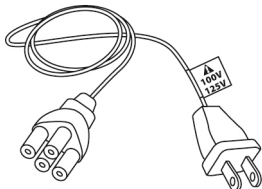


### **Встроенный, в следующей комплектации:**

\* блок питания, интегрированный непосредственно в базу руля, с разъемом типа A;

\* кабель питания для сети напряжением 100—125 В

= совместимый только с розетками 100—125 В.



**Кабель для сети 100—125 В нельзя подключать к розетке с напряжением 220—240 В! Этот кабель нельзя подключать к сетевому адаптеру!**



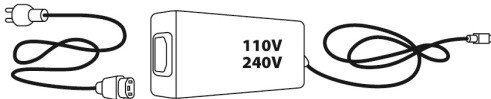
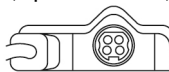
**ВНИМАНИЕ! Если вам неизвестно, каково напряжение электросети в регионе, где вы используете рулевую систему, обратитесь к местному поставщику электричества.**

### **Наружный, в следующей комплектации:**

\* наружный блок питания, расположенный на базе рулевого колеса, с разъемом типа B;

\* кабель питания для электросети

= совместимый с сетью любого напряжения, 110—240 В.



## ВНИМАНИЕ!

Перед эксплуатацией данного изделия внимательно ознакомьтесь с настоящей инструкцией и сохраните ее в надежном месте на будущее.



### **Внимание — опасность поражения электрическим током!**

- \* Изделие следует хранить в сухом месте, избегая попадания на него пыли и солнечного света.
- \* Обязательно соблюдение правильности подключений разъемов.
- \* Не допускается перекручивание разъемов и кабелей; также за них нельзя тянуть.
- \* Не допускается попадание жидкости на изделие и его разъемы.
- \* Не допускается короткое замыкание в цепи изделия.
- \* Запрещается разбирать изделие, бросать изделие в огонь и подвергать его воздействию высоких температур.
- \* Не допускается использование других кабелей питания, кроме кабеля, входящего в комплект рулевой системы.
- \* Нельзя использовать кабель питания, если он или его разъемы повреждены, потрескались или сломаны.
- \* Убедитесь, что кабель питания должным образом подключен к электророзетке и к разъему на задней стороне базы рулевого колеса.
- \* Нельзя открывать. Изделие не содержит деталей, замена которых может быть произведена пользователем. В целях ремонта изделия обращайтесь к производителю, сертифицированному агентству или квалифицированному специалисту.
- \* Допускается использование только одобренных производителем аксессуаров.
- \* В случае ненормального функционирования рулевой системы (при возникновении посторонних звуков, перегреве или запахе) следует немедленно прекратить использование системы, выключить кабель питания из розетки и отсоединить все остальные кабели.
- \* Если предполагается, что рулевая система не будет использоваться продолжительное время, отключите сетевой адаптер от розетки.



### **Вентиляционные отверстия**

Не допускается блокирование вентиляционных отверстий на базе рулевой системы. Для обеспечения оптимальной вентиляции выполните следующие указания:

- \* размещайте базу на расстоянии не менее 10 см от стен;
- \* не размещайте базу в тесном пространстве;
- \* ничем не накрывайте базу;
- \* не допускайте скопления пыли на вентиляционных отверстиях.



**Из соображений безопасности никогда не нажимайте на педали босой ногой или ногой в носке (без обуви).**

**КОМПАНИЯ THRUSTMASTER® ОТКАЗЫВАЕТСЯ ОТ ЛЮБОЙ ОТВЕТСТВЕННОСТИ В СЛУЧАЕ ПОЛУЧЕНИЯ ТРАВМЫ В РЕЗУЛЬТАТЕ НАЖИМАНИЯ НА ПЕДАЛИ НЕОБУТЫМИ НОГАМИ.**



**Внимание — риск травмирования в результате повторяющихся движений и действия силовой обратной связи**

Использование рулевой системы с силовой обратной связью может вызвать боль в мышцах или суставах. Советы по предотвращению проблем со здоровьем:

- \* не проводите за игрой продолжительное время;
- \* после каждого часа игры делайте 10—15-минутный перерыв;
- \* если в кистях, запястьях, предплечьях, стопах или ногах появилась усталость или боль, прекратите игру и отдохните в течение нескольких часов, прежде чем снова приступить к игре.
- \* если вышеуказанные признаки проявляются снова при возвращении к игре, прекратите игру и обратитесь к врачу;
- \* держите систему вне доступа детей;
- \* во время игры правильно располагайте обе руки на рулевом колесе и не позволяйте ему вращаться бесконтрольно;
- \* во время игры ни в коем случае не засовывайте руки или пальцы под педали и не держите их рядом с педальным блоком;
- \* во время калибровки и игры ни в коем случае не засовывайте руки в рулевое колесо;
- \* убедитесь, что база рулевого колеса надежно закреплена в соответствии с указаниями в инструкции по эксплуатации.

**ТЯЖЕЛОЕ ИЗДЕЛИЕ**

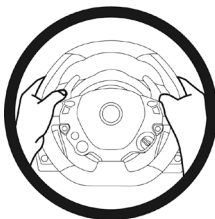


Не допускается использование лицами моложе 16 лет



Не роняйте изделие на себя или на других лиц!

**ПРАВИЛЬНО**



**НЕЛЬЗЯ**



**НЕЛЬЗЯ**





**Предупреждение — возможно сжатие педального блока во время игры**

\* Держите педальный блок вне доступа детей.

\* Во время игры ни в коем случае не кладите пальцы на педали и не засовывайте их с боковых сторон педального блока.

\* Во время игры ни в коем случае не засовывайте их сзади в базу педального блока.

\* Во время игры ни в коем случае не засовывайте их спереди в базу педального блока.

**НЕЛЬЗЯ**



**НЕЛЬЗЯ**



**НЕЛЬЗЯ**



**Предупреждение — возможно сжатие педального блока во время простоя**

\* Храните педальный блок в безопасном месте вне зоны доступа детей.

## УСТАНОВКА РУЛЕВОГО КОЛЕСА FERRARI 458 ITALIA НА БАЗУ

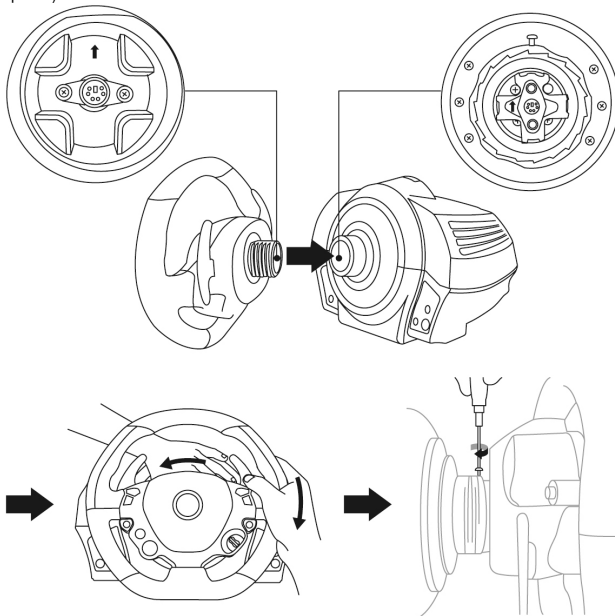
С помощью стрелок соотнесите разъемы.

**Разъем на базе (1):** стрелка указывает вверх.

**Разъем на руле (2):** стрелка указывает вверх.

После правильного позиционирования разъемов просто поверните кольцо крепежной системы Thrustmaster Quick Release (12) против часовой стрелки, удерживая на месте руль (2).

Затем с максимальным усилием затяните кольцо, удерживая его на месте и поворачивая руль (по часовой стрелке).



Установив руль FERRARI 458 ITALIA, поверните его на 180° (если смотреть на руль, логотип FERRARI должен быть перевернут «вверх ногами»), чтобы получить доступ к малому крепежному винту на системе Thrustmaster Quick Release (12). С помощью большой крестообразной отвертки затяните малый крепежный винт (без чрезмерного усилия) по часовой стрелке.



**Не прилагайте чрезмерных усилий при затягивании малого крепежного винта (с помощью крестообразной отвертки)!**

**Прекратите затягивание, как только почувствуете сопротивление**

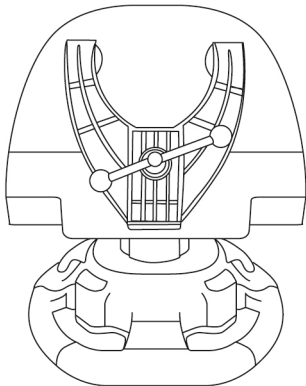


## УСТАНОВКА РУЛЕВОЙ СИСТЕМЫ

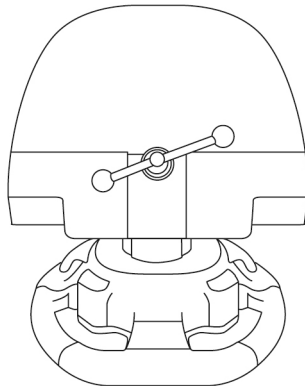
### Размещение рулевого колеса на столе.

1. Расположите гоночный руль на столе или иной горизонтальной плоской и устойчивой поверхности.
2. Вставьте крепежный винт (11) в систему крепления (10) и надежно зафиксируйте руль, затягивая винт против часовой стрелки, так чтобы он вошел в большое резьбовое отверстие (9), расположенное ниже руля.

**ПРАВИЛЬНО**

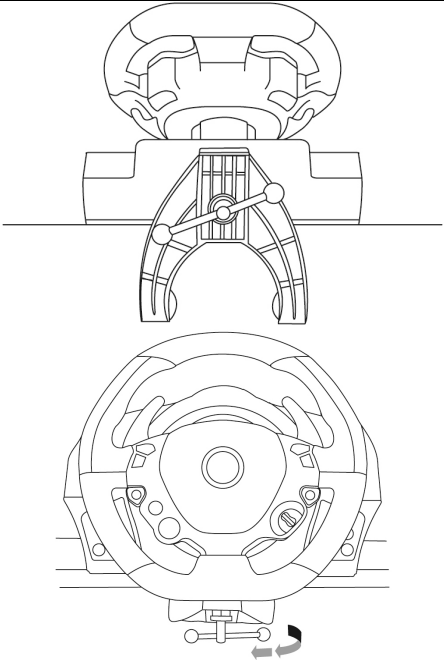
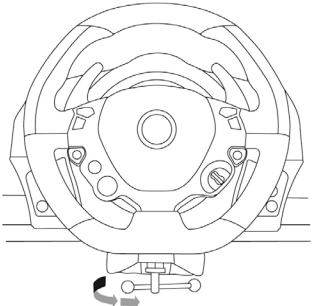


**НЕЛЬЗЯ**



**ВНИМАНИЕ!** Нельзя закручивать винт без системы крепления!

В противном случае возможно повреждение рулевой системы.

УСТАНОВКА / ДЕМОНТАЖ	НАПРАВЛЕНИЕ
<p><b><u>Фиксация</u></b></p> <p><b>Закручивайте винт против часовой стрелки</b></p>	
<p><b><u>Ослабление</u></b></p> <p><b>Раскручивайте е винт по часовой стрелке</b></p>	

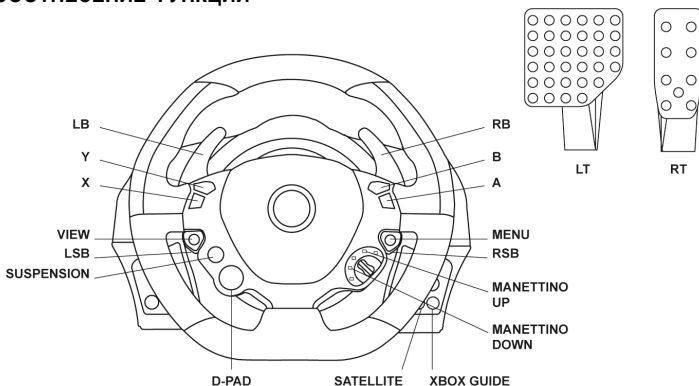
## Закрепление базы рулевого колеса на кокпите

1. Разместите базу рулевого колеса на щитке кокпита.
2. Через отверстия в щитке кокпита вставьте два винта М6 (не входят в комплект) в два небольших винтовых отверстия на нижней стороне базы руля.  
*Важно! Длина винтов М6 не должна превышать толщину щитка + 12 мм; более длинные винты могут вызвать повреждение внутренних деталей базы рулевого колеса.*
3. При необходимости затяните стандартную систему крепления, вставив крепежный винт в большое резьбовое отверстие.

## Закрепление педального блока в кокпите

1. Закрепите педальный блок с помощью небольших резьбовых отверстий на его нижней поверхности.
2. Через отверстия в щитке кокпита вставьте два винта М6 (не входят в комплект) в два небольших винтовых отверстия на нижней стороне педального блока.  
*Важно! Длина винтов М6 не должна превышать толщину щитка + 10 мм; более длинные винты могут вызвать повреждение внутренних деталей педального блока.*

## СООТНЕСЕНИЕ ФУНКЦИЙ



При запуске системы на Xbox One разные функциональные кнопки руля имеют аналогичные функции в игре.

В ближайшем будущем автоматические обновления для игр (для обновления консоль должна быть подключена к Интернету) и обновление прошивки рулевой системы позволят устранить дублирование функций и увеличить количество различных кнопок.

## ОБНОВЛЕНИЕ ПРОШИВКИ РУЛЕВОЙ СИСТЕМЫ

Прошивку в базе рулевого колеса можно обновить до более поздней версии, содержащей усовершенствования.

Для просмотра установленной в данный момент версии прошивки и ее обновления при необходимости откройте сайт <http://support.thrustmaster.com>. Выберите **Гоночные рули / TX Racing Wheel**, затем **Прошивка** выполните указания по загрузке и установке.

## НАСТРОЙКА РУЛЕВОЙ СИСТЕМЫ ДЛЯ XBOX ONE

1. Подключите pedalный блок к разъему (17) на задней стороне базы рулевого колеса.
2. Подключите кабель питания к разъему (14) на задней стороне базы рулевого колеса.
3. Подключите кабель питания к электророзетке соответствующего напряжения.



**Подробнее это описано в разделе «ПОДКЛЮЧЕНИЕ РУЛЕВОЙ СИСТЕМЫ К ЭЛЕКТРОПИТАНИЮ» на стр. 3 настоящего руководства.**

4. Соедините USB-разъем (15) рулевой системы с одним из USB-портов консоли.

Теперь все готово для игры!

## АВТОМАТИЧЕСКАЯ КАЛИБРОВКА РУЛЯ И ПЕДАЛЬНОГО БЛОКА

Калибровка гоночного руля выполняется автоматически при подключении рулевой системы к сети питания и к игровой консоли через USB-разъем.

Во время этой процедуры руль быстро вращается влево и вправо, совершая поворот на 900 градусов, и затем останавливается в центре.



### **ВНИМАНИЕ!**

**Во время автокалибровки нельзя дотрагиваться до руля!  
(В противном случае возможен сбой калибровки и/или телесная травма).**

## АВТОМАТИЧЕСКАЯ КАЛИБРОВКА ПЕДАЛЬНОГО БЛОКА

Нельзя подключать pedalный блок к базе рулевого колеса (и отключать его от базы), если система подключена к консоли и во время игры (в противном случае возможен сбой калибровки).

Pedalный блок следует подключать к рулевой системе перед ее подключением к консоли.

После завершения калибровки руля и запуска игры несколькими нажатиями на педали включается их автоматическая калибровка.



### **ВНИМАНИЕ!**

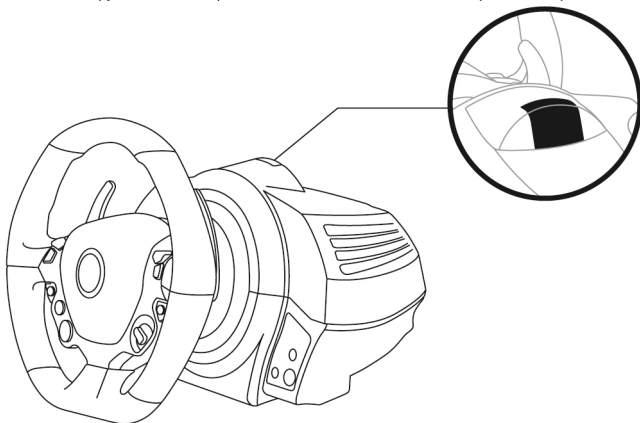
**Нельзя нажимать на педали  
во время автокалибровки руля и во время загрузки игры!  
(В противном случае возможен сбой калибровки).**

Если гоночный руль и педальный блок не работают должным образом или калибровка выглядит неверной

Выключите консоль и полностью отключите рулевую систему, заново подключите все кабели (питания и педального блока) и перезапустите консоль и игру.

## СОПРЯЖЕНИЯ КОНТРОЛЛЕРА (13)

В целях корректного распознавания рулевой системы идентификатор сопряжения контроллера (в верхней части базы рулевого колеса) всегда должен оставаться в поле зрения камеры KINECT™.



## ВСТРОЕННЫЙ ДАТЧИК ТЕМПЕРАТУРЫ

В целях безопасности в базу рулевого колеса встроен датчик температуры.

При чрезмерном нагреве рулевой системы она может внезапно выключиться.

В этом случае:

- отключите от устройства кабель питания и USB-кабель;
- дождитесь полного остывания базы рулевого колеса;
- затем снова подключите устройство.

## КНОПКА И ИНДИКАТОР MODE (6)

### Кнопка MODE для педального блока

Педальный блок, входящий в комплект рулевой системы TX, оснащен двумя педалями. При использовании педального блока индикатор должен гореть красным, иначе педаль газа не будет работать должным образом.

Рулевая система TX совместима также с педальными блоками Thrustmaster с тремя педалями (*приобретаются отдельно; выпуск ожидается*); на которых можно электронным способом поменять местами педали сцепления и газа.

Для этого достаточно нажать кнопку MODE (6) на 2 сек.

Во встроенной памяти рулевой системы сохраняются данные о переносе педалей.

ПЕДАЛИ ГАЗА И СЦЕПЛЕНИЯ	Цвет индикатора MODE (6)
ОБЫЧНЫЙ РЕЖИМ	КРАСНЫЙ
ОБРАТНЫЙ РЕЖИМ	ЗЕЛЕНый

### Другие советы по использованию кнопки MODE

Подробнее о кнопке и индикаторе MODE рассказывается на сайте <http://support.thrustmaster.com>. Щелкните **Гоночные рули / TX Racing Wheel** и выберите **Инструкция по эксплуатации** или **Часто задаваемые вопросы**.

### СПРАВКА И ОТВЕТЫ НА ЧАСТЫЕ ВОПРОСЫ (не приведенные в настоящем руководстве)

Посетите сайт <http://support.thrustmaster.com>. Щелкните **Гоночные рули / TX Racing Wheel** и выберите **Инструкция по эксплуатации** или **Часто задаваемые вопросы**.

## **Сведения о потребительской гарантии**

Корпорация Guillemot Corporation S.A., зарегистрированная по адресу Place du Granier, B.P. 97143, 35571 Chanterie, Франция, (далее — «Guillemot») гарантирует своим клиентам во всем мире, что в данном изделии Thrustmaster не будет выявлено никаких дефектов материалов и производства в течение гарантийного периода, который равен сроку предъявления претензии по соответствию для данного изделия. В странах Европейского Союза этот срок соответствует двум (2) годам с момента поставки изделия Thrustmaster. В других странах гарантийный период равен сроку предъявления претензии по соответствию для изделия Thrustmaster, определяемому соответствующим законодательством страны, в которой проживал потребитель на момент приобретения изделия Thrustmaster (если подобные претензии не действуют в соответствующей стране, гарантийный период равняется одному (1) году с первоначальной даты приобретения изделия Thrustmaster).

В случае обнаружения дефектов изделия во время гарантийного периода незамедлительно обратитесь в службу технической поддержки, сотрудники которой определяют дальнейшую процедуру. Если дефект будет подтвержден, изделие следует вернуть по месту приобретения (или в любое другое место, указанное службой технической поддержки).

В рамках действия гарантии дефектное изделие будет, по усмотрению службы технической поддержки, заменено или возвращено в рабочее состояние. Если в течение гарантийного срока изделие Thrustmaster будет подвержено такому восстановлению, к оставшемуся гарантийному сроку прибавляется период времени, но не менее семи (7) дней, во время которого изделие находилось вне употребления (началом этого периода считается дата запроса покупателя о вмешательстве или дата предоставления дефектного изделия для восстановления, если изделие было предоставлено для восстановления позднее, чем был сделан запрос о вмешательстве). В мере, разрешенной применимым законодательством, полная ответственность компании Guillemot и ее дочерних компаний (в том числе косвенный ущерб) ограничивается восстановлением рабочего состояния или заменой изделия Thrustmaster. В мере, разрешенной применимым законодательством, компания Guillemot отказывается от любых гарантий коммерческой пригодности или пригодности для определенной цели.

Настоящая гарантия не распространяется: (1) на ситуации, когда изделие было видоизменено, открыто, модифицировано или получило повреждения в результате недопустимого или неправильного использования, небрежности или несчастного случая, естественного износа или любой другой причины, не связанной с дефектом материалов или производства (включая, помимо прочего, использование изделия Thrustmaster совместно с любыми неподходящими элементами, в частности — с блоками питания, аккумуляторами, зарядными устройствами и любыми другими элементами, не входящими в комплектацию Guillemot для данного изделия); (2) на случаи использования продукта в любых целях, кроме бытовых, в том числе на случаи профессионального или коммерческого применения (например, в игровых залах, для проведение обучения и соревнований); (3) на ситуации, когда указания службы технической поддержки не были выполнены; (4) на ПО, так как на такое ПО распространяется отдельная гарантия; (5) на расходные материалы (элементы, предназначенные для замены в течение срока службы изделия: например, батарейки и ушные подушки для гарнитур или наушников); (6) на аксессуары (например, кабели, чехлы, сумки, футляры, наручные ремешки); (7) на случаи продажи изделия с открытого аукциона.

Данная гарантия не подлежит передаче.

Настоящая гарантия не ущемляет прав потребителя, предоставляемых ему применимыми законами в отношении продажи потребительских товаров в соответствующей стране.

### Дополнительные условия гарантии

В течение гарантийного срока компания Guillemot, в общем и целом, не предоставляет никаких запасных частей, так как вскрытие и/или модификацию любых изделий Thrustmaster вправе осуществлять только служба технической поддержки (за исключением каких-либо процедур по модификации, которые служба технической поддержки может предложить выполнить клиенту путем письменных инструкций и предоставления, при необходимости, требуемых запасных частей: например, в связи с отсутствием статуса сложности или конфиденциальности у такой восстановительной процедуры).

С учетом периода освоения новых изделий и в целях защиты своих ноу-хау и коммерческих тайн компания Guillemot, в общем и целом, не предоставляет каких-либо уведомлений о восстановлении или запасных частей для любых изделий Thrustmaster с истекшим гарантийным сроком.

### Ответственность

В мере, разрешенной применимым законодательством, компания Guillemot Corporation S.A. (далее — «Guillemot») и ее дочерние предприятия отказываются от любой ответственности за любой ущерб, вызванный одним или несколькими из следующих факторов: (1) видоизменение, вскрытие или модификация изделия; (2) несоблюдение инструкций по сборке; (3) недопустимое или неправильное использование, небрежность, несчастный случай (например, физическое воздействие); (4) естественный износ; (5) использование продукта в любых целях, кроме бытовых, в том числе профессиональное или коммерческое применение (например, в игровых залах, для проведение обучения и соревнований). В мере, разрешенной применимым законодательством, компания Guillemot и ее дочерние предприятия отказываются от любой ответственности за любой ущерб, не связанный с дефектами материалов или изготовления, в отношении данного изделия (включая, помимо прочего, любой ущерб, вызванный прямо или опосредованно любым программным обеспечением или использованием изделия Thrustmaster с любыми неподходящими элементами, в частности — блоками питания, аккумуляторами, зарядными устройствами и любыми другими элементами, не входящими в комплектацию Guillemot для данного изделия).

**THRUSTMASTER®**

ТЕХНИЧЕСКОЙ ПОДДЕРЖКИ

<http://support.thrustmaster.com>





## АВТОРСКОЕ ПРАВО

© 2017 Guillemot Corporation S.A. Все права защищены. Thrustmaster® является зарегистрированной торговой маркой Guillemot Corporation. Ferrari® является торговой маркой, принадлежащей Ferrari Idea S.p.A. Все прочие торговые марки являются собственностью соответствующих владельцев. Иллюстрации могут не соответствовать внешнему виду/функциям конкретного изделия. Содержание руководства, конструкция и технические характеристики изделия изменяются без предварительного уведомления и зависят от страны приобретения.

*При использовании изделия учитывайте следующее: цвета и дизайн могут различаться.*  
Пластиковые стяжки и клейкую ленту следует снять перед использованием изделия.

[www.thrustmaster.com](http://www.thrustmaster.com)

# EAC

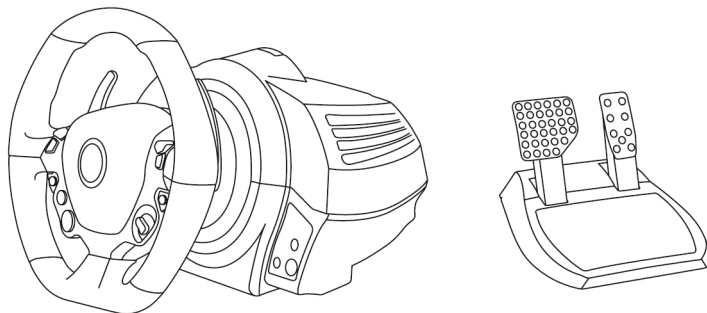


# TX Racing Wheel

FERRARI 458 ITALIA EDITION

ΓΙΑ XBOX ONE

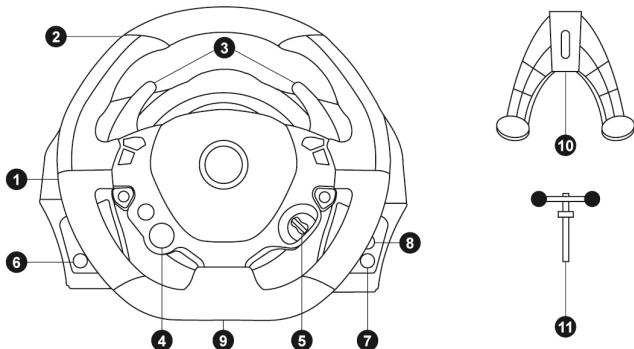
Εγχειρίδιο χρήσης



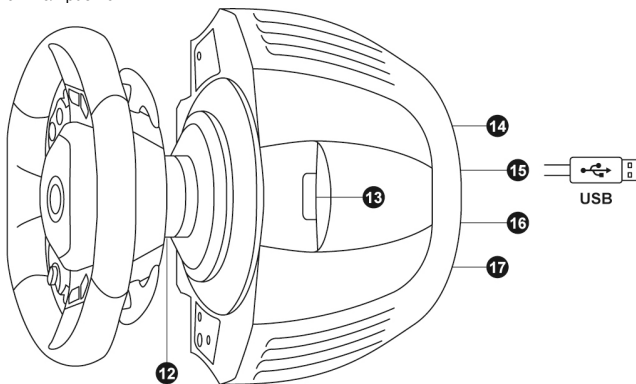
## ΠΡΟΕΙΔΟΠΟΙΗΣΗ:

Για να βεβαιωθείτε ότι η τιμονιέρα TX Racing Wheel λειτουργεί σωστά με τα παιχνίδια για την κονσόλα XBOX ONE, ίσως χρειαστεί να εγκαταστήσετε τις αυτόματες ενημερώσεις των παιχνιδιών (είναι διαθέσιμα όταν η κονσόλα παιχνιδιών είναι συνδεδεμένη στο Internet).

## ΤΕΧΝΙΚΕΣ ΠΡΟΔΙΑΓΡΑΦΕΣ



- |   |   |
|---|---|
| 1 Βάση τιμονιέρας   | 7 Κουμπί Xbox Guide   |
| 2 Αγωνιστικοί τιμόνι                                      | 8 Λυχνία ένδειξης σε λευκό  |
| 3 2 σειριακοί μοχλοί αλλαγής ταχυτήτων (Πάνω & Κάτω)      | 9 Οπή μεγάλου σπειρώματος (για σύστημα προσάρτησης και βίδα σύσφιξης) |
| 4 Σταυρός κατευθύνσεων πολλών κατευθύνσεων (Engine Start) | 10 Σύστημα προσάρτησης  |
| 5 Διακόπτης Manettino (2 θέσεων)                          | 11 Μεταλλική βίδα σύσφιξης  |
| 6 Κουμπί ΛΕΙΤΟΥΡΓΙΑ + λυχνία ένδειξης Κόκκινο/Πράσινο     |   |



- |  |   |
|--|---|
| 12 Thrustmaster Quick Release  | 15 Καλώδιο USB αγωνιστικού τιμονιού και υποδοχή                           |
| 13 Αντιστοίχιση ελεγκτή (για εντοπισμό για Kinect™)                        | 16 Υποδοχή μοχλού αλλαγής ταχυτήτων (πωλείται χωριστά, μελλοντική έκδοση) |
| 14 Υποδοχή τροφοδοσίας ρεύματος (τύπος A ή B) (Ποικίλλει από χώρα σε χώρα) | 17 Υποδοχή σει πεντάλ   |

**ΣΥΝΔΕΣΗ ΤΗΣ ΤΙΜΟΝΙΕΡΑΣ ΣΤΟ ΡΕΥΜΑ = ΔΙΑΒΑΣΤΕ ΠΡΙΝ ΣΥΝΕΧΙΣΤΕ**

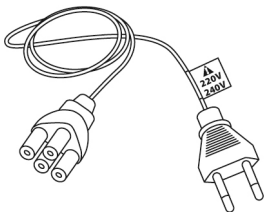
Η υποδοχή τροφοδοσίας της τιμονιέρας ποικίλλει ανάλογα με τη χώρα από την οποία αγοράσατε τη συσκευή σας. Η υποδοχή τροφοδοσίας μπορεί να είναι:

**Εσωτερική, με τα εξής:**

\* Μια μονάδα τροφοδοσίας ρεύματος τοποθετημένη απευθείας στο εσωτερικό της βάσης της τιμονιέρας, με υποδοχή τύπου A

Καλώδιο τροφοδοσίας ρεύματος 220-240V

= συμβατό μόνο με δίκτυα ρεύματος 220-240V.



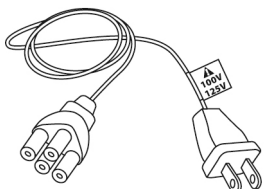
**Ποτέ μην συνδέετε το καλώδιο 220-240V σε πρίζα ρεύματος 100-130V!**  
**Ποτέ μην συνδέετε αυτό το καλώδιο σε αντάπτορα ρεύματος!**

**Εσωτερική, με τα εξής:**

\* Μια μονάδα τροφοδοσίας ρεύματος τοποθετημένη απευθείας στο εσωτερικό της βάσης της τιμονιέρας, με υποδοχή τύπου A

\* Καλώδιο τροφοδοσίας ρεύματος 100-125V

= συμβατό μόνο με δίκτυα ρεύματος 100-125V.



**Ποτέ μην συνδέετε το καλώδιο 100-125V σε πρίζα ρεύματος 220-240V!**  
**Ποτέ μην συνδέετε αυτό το καλώδιο σε αντάπτορα ρεύματος!**



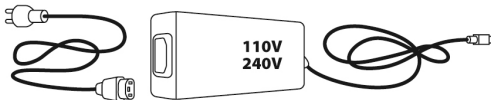
**ΣΗΜΑΝΤΙΚΟ:** Αν δεν γνωρίζετε τι τάση υπάρχει στον χώρο που χρησιμοποιείτε την τιμονιέρα σας, ανατρέξτε στον τοπικό σας πάροχο ρεύματος.

**Εξωτερική, με τα εξής:**

\* Μια μονάδα τροφοδοσίας ρεύματος τοποθετημένη στη βάση της τιμονιέρας, με υποδοχή τύπου B

\* Καλώδιο τροφοδοσίας ρεύματος

= συμβατό με όλες τις τάσεις ρεύματος, 110-240V.



## ΠΡΟΕΙΔΟΠΟΙΗΣΗ

Πριν χρησιμοποιήσετε αυτό το προϊόν, διαβάστε προσεκτικά το παρόν και κρατήστε το σε ασφαλές μέρος για μελλοντική αναφορά.



### Προειδοποίηση – Ηλεκτροπληξία

- \* Αποθηκεύστε το προϊόν σε στεγνό μέρος και μην το εκθέτετε σε σκόνη ή στον ήλιο.
- \* Τηρήστε την κατεύθυνση της σύνδεσης.
- \* Μην περιστρέψετε ή τραβάτε τις συνδέσεις και τα καλώδια.
- \* Μην ρίχνετε υγρό στο προϊόν και τις υποδοχές του.
- \* Μην βραχυκυκλώνετε το προϊόν.
- \* Ποτέ μην αποσυναρμολογείτε το προϊόν. Μην ρίχνετε το προϊόν σε φωτιά και μην το εκθέτετε σε υψηλές θερμοκρασίες.
- \* Μην χρησιμοποιείτε άλλο καλώδιο τροφοδοσίας πέρα από αυτό που παρέχεται μαζί με την τιμονιέρα σας.
- \* Μην χρησιμοποιείτε το καλώδιο του αντάππορα δικτύου εάν το καλώδιο ή οι συνδέσεις έχουν φθορές, έχουν διαχωριστεί ή κοπεί.
- \* Βεβαιωθείτε ότι το καλώδιο δικτύου έχει τοποθετηθεί σωστά στην πρίζα και στην υποδοχή που βρίσκεται στην πίσω όψη της βάσης της τιμονιέρας.
- \* Μην ανοίγετε τη συσκευή. Δεν υπάρχουν ανταλλακτικά μέσα. Απευθυνθείτε για σέρβις στον κατασκευαστή, σε καθορισμένη εταιρεία ή σε εξειδικευμένο τεχνικό.
- \* Χρησιμοποιείτε μόνο πρόσθετα/αξεσουάρ που καθορίζει ο κατασκευαστής.
- \* Εάν το τιμόνι λειτουργεί με ασυνήθιστο τρόπο (εάν ακούγονται περιεργοί ήχοι, εκπέμπεται θέρμανση ή αναδύονται οσμές), σταματήστε τη χρήση αμέσως, αποσυνδέστε το καλώδιο τροφοδοσίας από την πρίζα και αποσυνδέστε τα υπόλοιπα καλώδια.
- \* Εάν δεν σκοπεύετε να χρησιμοποιήσετε το τιμόνι για μεγάλο χρονικό διάστημα, αποσυνδέστε τον αντάππορα δικτύου από την πρίζα.



### Αεραγωγοί

Βεβαιωθείτε ότι δεν μπλοκάρτε κανέναν από τους αεραγωγούς στη βάση του τιμονιού. Για καλύτερο αερισμό, τηρήστε τα ακόλουθα σημεία:

- \* Τοποθετήστε τη βάση τουλάχιστον 10 εκατοστά μακριά από τους τοίχους.
- \* Μην τοποθετείτε τη βάση σε στενούς χώρους.
- \* Μην καλύπτετε τη βάση.
- \* Μην αφήνετε να συσσωρευτεί σκόνη επάνω στους αεραγωγούς.



Για λόγους ασφαλείας, ποτέ μην χρησιμοποιείτε το σετ των πεντάλ ζυπόλητοι ή ενώ φοράτε μόνο κάλτσες.

**Η THRUSTMASTER® ΑΠΟΠΟΙΕΙΤΑΙ ΟΠΟΙΑΣΔΗΠΟΤΕ ΕΥΘΥΝΗΣ ΣΕ ΠΕΡΙΠΤΩΣΗ ΤΡΑΥΜΑΤΙΣΜΟΥ ΠΟΥ ΠΡΟΚΑΛΕΙΤΑΙ ΑΠΟ ΤΗ ΧΡΗΣΗ ΤΟΥ ΣΕΤ ΤΩΝ ΠΕΝΤΑΛ ΧΩΡΙΣ ΠΑΠΟΥΤΣΙΑ.**



### Προειδοποίηση – Τραυματισμοί λόγω τεχνολογίας force feedback και επαναλαμβανόμενων κινήσεων

Το παιχνίδι με ένα τιμόνι τεχνολογίας force-feedback ενδεχομένως να προκαλέσει πόνο στους μύες ή στις αρθρώσεις. Προς αποφυγή οποιονδήποτε προβλημάτων:

- \* Αποφύγετε να παίζετε συνεχόμενα για μεγάλο χρονικό διάστημα.



## Προειδοποίηση – Τραυματισμοί λόγω τεχνολογίας force feedback και επαναλαμβανόμενων κινήσεων (σουίτα)

- \* Κάντε διαλείμματα διάρκειας 10 έως 15 λεπτών μετά από κάθε μία ώρα παιχνιδιού.
- \* Αν νιώσετε κόπωση ή πόνο σε χέρια, καρπούς, μπράτσα, πέλματα ή πόδια, σταματήστε το παιχνίδι και ξεκουραστείτε για μερικές ώρες πριν αρχίσετε ξανά το παιχνίδι.
- \* Αν τα συμπτώματα ή ο πόνος που αναφέρθηκαν παραπάνω επιμένουν όταν αρχίσετε ξανά το παιχνίδι, σταματήστε να παίζετε και επισκεφτείτε τον ιατρό σας.
- \* Κρατήστε το προϊόν μακριά από παιδιά.
- \* Κατά τη διάρκεια του παιχνιδιού, έχετε πάντα και τα δύο χέρια σωστά τοποθετημένα στο τιμόνι χωρίς να το αφήνετε εντελώς.
- \* Κατά τη διάρκεια των παιχνιδιών, ποτέ μην τοποθετείτε τα χέρια ή τα δάκτυλά σας κάτω από τα πεντάλ ή οπουδήποτε κοντά στο σετ των πεντάλ.
- \* Κατά τη διάρκεια της βαθμονόμησης και του παιχνιδιού, ποτέ μην τοποθετείτε το χέρι ή το μπράτσο σας μέσα στα ανοίγματα της τιμονιέρας.
- \* Ελέγξτε ότι η βάση του τιμονιού είναι στερεωμένη προσεκτικά σύμφωνα με τις οδηγίες του εγχειριδίου.

### ΒΑΡΥ ΠΡΟΪΟΝ

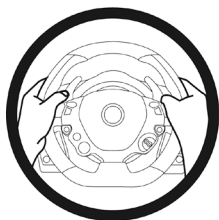


Προορίζεται για χρήστες  
16 ετών ή μεγαλύτερους



Προσέχετε να μην ρίξετε το προϊόν  
επάνω σας ή επάνω σε κάποιον άλλον!

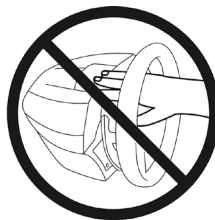
**ΠΑΝΤΑ**



**ΠΟΤΕ**



**ΠΟΤΕ**





**Προειδοποίηση – Κίνδυνος μαγκώματος στο σετ των πεντάλ όταν παίζετε**

\* Κρατήστε το σετ των πεντάλ μακριά από παιδιά.

\* Κατά τη διάρκεια του παιχνιδιού, ποτέ μην τοποθετείτε τα δάκτυλά σας επάνω ή οπουδήποτε κοντά στις πλευρές των πεντάλ.

\* Κατά τη διάρκεια του παιχνιδιού, ποτέ μην αφήνετε τα δάκτυλά σας επάνω ή οπουδήποτε κοντά στην οπίσθια βάση των πεντάλ.

\* Κατά τη διάρκεια του παιχνιδιού, ποτέ μην τοποθετείτε τα δάκτυλά σας επάνω ή οπουδήποτε κοντά στην μπροστινή βάση των πεντάλ.

ΠΟΤΕ



ΠΟΤΕ



ΠΟΤΕ



**Προειδοποίηση – Κίνδυνος μαγκώματος στο σετ των πεντάλ όταν δεν παίζετε**

\* Αποθηκεύστε το σετ των πεντάλ σε ασφαλές μέρος και διατηρήστε το μακριά από παιδιά.

## ΠΡΟΣΑΡΤΗΣΗ ΤΟΥ ΑΓΩΝΙΣΤΙΚΟΥ ΤΙΜΟΝΙΟΥ FERRARI 458 ITALIA ΣΤΗ ΒΑΣΗ ΤΟΥ

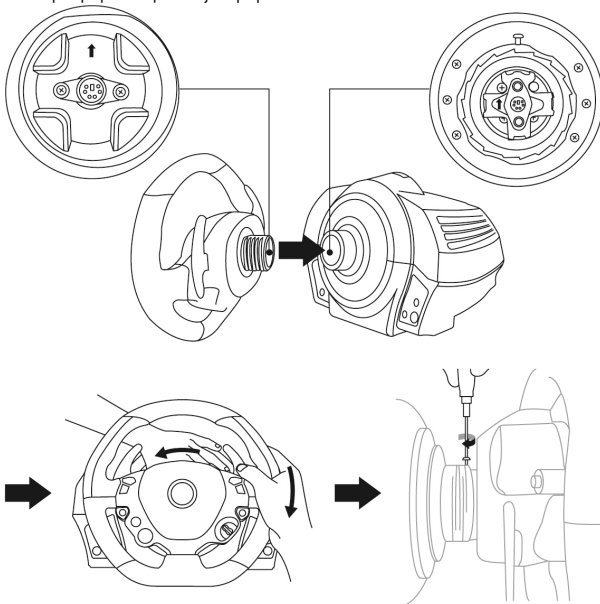
Ευθυγραμμίστε τις θέσεις των υποδοχών χρησιμοποιώντας τα βέλη:

**Υποδοχή βάσης (1):** Βέλος με κατεύθυνση προς τα πάνω

**Υποδοχή τιμονιού (2):** Βέλος με κατεύθυνση προς τα πάνω

Αφού τοποθετήσετε σωστά τις υποδοχές, απλώς περιστρέψτε τον δακτύλιο της συσκευής Thrustmaster Quick Release (12) αριστερόστροφα, ενώ κρατάτε το τιμόνι (2) στη θέση του.

Έπειτα, σφίξτε τον δακτύλιο όσο περισσότερο γίνεται. Για να το πετύχετε, κρατήστε τον δακτύλιο στη θέση του και περιστρέψτε το τιμόνι δεξιόστροφα.



Αφού εγκαταστήσετε το τιμόνι FERRARI 458 ITALIA, περιστρέψτε το 180° (όταν κοιτάτε το τιμόνι, το λογότυπο της FERRARI θα πρέπει να είναι στραμμένο προς τα κάτω) για να αποκτήσετε πρόσβαση στη μικρή βίδα προσάρτησης που βρίσκεται στη συσκευή Thrustmaster Quick Release (12). Χρησιμοποιήστε ένα μεγάλο σταυροκατσάβιδο για να σφίξετε τη μικρή βίδα προσάρτησης (μην βάλετε υπερβολική δύναμη), περιστρέφοντάς την δεξιόστροφα.



**Μην χρησιμοποιείτε υπερβολική δύναμη όταν σφίγγετε τη μικρή βίδα προσάρτησης (χρησιμοποιώντας σταυροκατσάβιδο)!**

**Σταματήστε να περιστρέφετε τη βίδα αμέσως μόλις νιώσετε κάποια αντίσταση.**

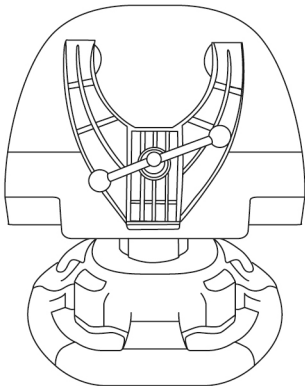


## ΠΡΟΣΑΡΤΗΣΗ ΤΙΜΟΝΙΕΡΑΣ

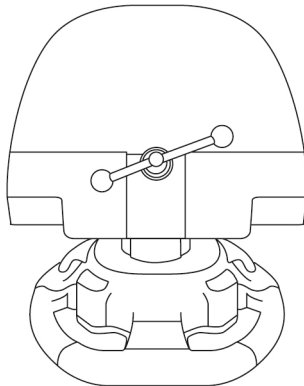
### Τοποθέτηση τιμονιέρας σε τραπέζι ή γραφείο

1. Τοποθετήστε την τιμονιέρα σε τραπέζι ή οποιαδήποτε άλλη οριζόντια, επίπεδη και σταθερή επιφάνεια.
2. Εισάγετε τη βίδα σύσφιξης **(11)** στο σύστημα προσάρτησης **(10)**, μετά σφίξτε τη συσκευή στρέφοντας τη βίδα σύσφιξης αριστερόστροφα, ώστε να στερεωθεί στην οπή του μεγάλου σπειρώματος **(9)** κάτω από την τιμονιέρα, έως ότου η συσκευή είναι εντελώς σταθερή.

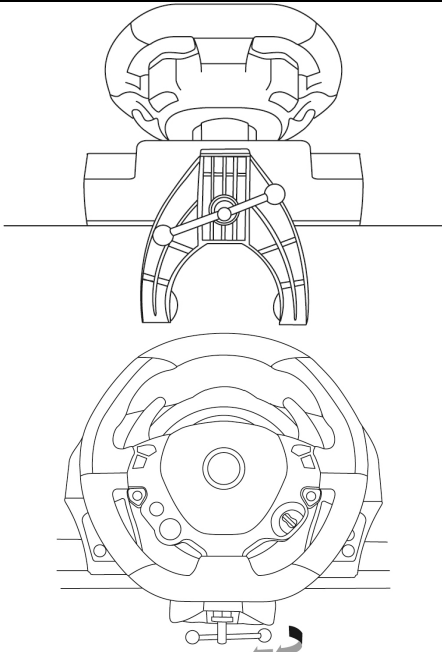
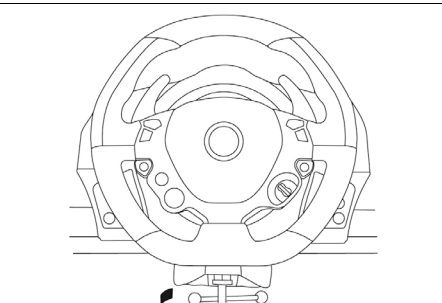
**ΠΑΝΤΑ**



**ΠΟΤΕ**



**ΠΡΟΕΙΔΟΠΟΙΗΣΗ:** Μην σφίγγετε τη βίδα μόνη της, χωρίς το σύστημα προσάρτησης!  
(Αυτό ενδέχεται να καταστρέψει την τιμονιέρα).

ΠΡΟΣΑΡΤΗΣΗ/ΑΦΑΙΡΕΣΗ	ΚΑΤΕΥΘΥΝΣΗ
<p><b>Για σύσφιξη:</b>  <b>Στρέψτε τη βίδα αριστερόστροφα</b></p>	
<p><b>Για ελευθέρωση:</b>  <b>Στρέψτε τη βίδα δεξιόστροφα</b></p>	

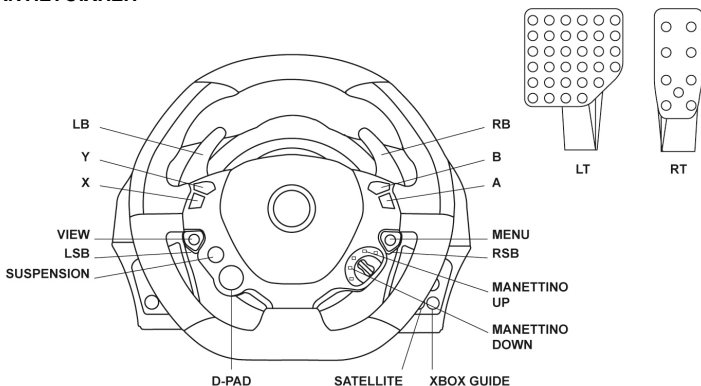
## Προσάρτηση της βάσης του τιμονιού σε θέση οδηγού

1. Τοποθετήστε τη βάση του τιμονιού στην προεξοχή της θέσης του οδηγού.
2. Καθοδηγήστε τις δύο βίδες M6 (δεν περιλαμβάνονται) μέσω της προεξοχής της θέσης του οδηγού, και στη συνέχεια, τοποθετήστε τις στις οπές από τα δύο μικρά σπειρώματα που βρίσκονται κάτω από το τιμόνι.  
Σημαντικό: Το μήκος από τις δύο βίδες M6 δεν θα πρέπει να υπερβαίνει το πάχος της προεξοχής + 12 χιλιοστά. Οι μακρύτερες βίδες θα προκαλέσουν ζημιά στα εσωτερικά εξαρτήματα που βρίσκονται στη βάση του τιμονιού.
3. Αν απαιτείται, σφίξτε το βασικό σύστημα προσάρτησης τοποθετώντας τη βίδα σύσφιξης μέσα στην οπή του μεγάλου σπειρώματος.

## Προσάρτηση του σετ των πεντάλ σε θέση οδηγού

1. Προσαρτήστε το σετ των πεντάλ χρησιμοποιώντας τις οπές του μικρού σπειρώματος που βρίσκεται από κάτω.
2. Καθοδηγήστε τις δύο βίδες M6 (δεν περιλαμβάνονται) μέσω της προεξοχής της θέσης του οδηγού, και στη συνέχεια, τοποθετήστε τις στις οπές από τα δύο μικρά σπειρώματα που βρίσκονται κάτω από το σετ των πεντάλ.  
Σημαντικό: Το μήκος από τις δύο βίδες M6 δεν θα πρέπει να υπερβαίνει το πάχος της προεξοχής + 10 χιλιοστά. Οι μακρύτερες βίδες θα προκαλέσουν ζημιά στα εσωτερικά εξαρτήματα που βρίσκονται μέσα στο σετ των πεντάλ.

## ΑΝΤΙΣΤΟΙΧΗΣΗ



Κατά την κυκλοφορία της κονσόλας Xbox One, διαφορετικά κουμπιά δράσης επάνω στο τιμόνι θα έχουν τις ίδιες λειτουργίες στο παιχνίδι.

Στο κοντινό μέλλον, η αυτόματη ενημέρωση των παιχνιδιών σας (οι αυτόματες ενημερώσεις θα είναι διαθέσιμες αν η κονσόλα είναι συνδεδεμένη με το Internet) και η ενημέρωση του υλικολογισμικού της τιμονιέρας σας θα σας επιτρέψει να αφαιρείτε αυτές τις διπλές λειτουργίες και να αυξάνετε τον αριθμό των μεμονωμένων κουμπιών.

## ΑΝΑΒΑΘΜΙΣΗ ΤΟΥ ΥΛΙΚΟΛΟΓΙΣΜΙΚΟΥ ΤΗΣ ΤΙΜΟΝΙΕΡΑΣ ΣΑΣ

Είναι δυνατή η αναβάθμιση του υλικολογισμικού που περιλαμβάνεται στη βάση της τιμονιέρας σας σε μια πιο πρόσφατη έκδοση με τις βελτιώσεις του προϊόντος.

Για να εμφανίσετε την έκδοση του υλικολογισμικού που διαθέτει προς το παρόν η τιμονιέρα σας και να την ενημερώσετε αν απαιτείται: σε υπολογιστή, συνδεθείτε στον ιστότοπο <http://support.thrustmaster.com>. Κάντε κλικ στις επιλογές **Racing Wheels / TX Racing Wheel**, μετά επιλέξτε **Firmware** και ακολουθήστε τις οδηγίες που περιγράφουν τη διαδικασία λήψης και εγκατάστασης.

## ΕΓΚΑΤΑΣΤΑΣΗ ΤΗΣ ΤΙΜΟΝΙΕΡΑΣ ΓΙΑ ΤΟ XBOX ONE

1. Συνδέστε το σετ των πεντάλ στην υποδοχή (17) που βρίσκεται στο πίσω μέρος της βάσης της τιμονιέρας.
2. Συνδέστε το καλώδιο τροφοδοσίας στην υποδοχή (14) που βρίσκεται στο πίσω μέρος της βάσης της τιμονιέρας.
3. Συνδέστε το καλώδιο τροφοδοσίας σε μια πρίζα με τις κατάλληλες προδιαγραφές τάσης.



**Για περισσότερες σχετικές πληροφορίες, ανατρέξτε στην ενότητα ΣΥΝΔΕΣΗ ΤΗΣ ΤΙΜΟΝΙΕΡΑΣ ΣΤΟ ΡΕΥΜΑ, στη σελίδα 3 στο παρόν εγχειρίδιο.**

4. Συνδέστε την υποδοχή USB της τιμονιέρας (15) σε μία από τις θύρες USB της κονσόλας.

**Τώρα είστε έτοιμοι για τον αγώνα!**

## ΑΥΤΟΜΑΤΗ ΒΑΘΜΟΝΟΜΗΣΗ ΤΙΜΟΝΙΟΥ ΚΑΙ ΣΕΤ ΠΕΝΤΑΛ

Η βαθμονόμηση της τιμονιέρας πραγματοποιείται αυτόματα όταν συνδέετε την τιμονιέρα στο ρεύμα και την υποδοχή USB της τιμονιέρας στην κονσόλα.

Στη διάρκεια αυτής της φάσης, το τιμόνι θα περιστρέφεται γρήγορα προς αριστερά και δεξιά, καλύπτοντας μια γωνία 900, προτού σταματήσει στο κέντρο.



### **ΠΡΟΕΙΔΟΠΟΙΗΣΗ:**

**Ποτέ μην αγγίζετε το τιμόνι κατά τη διάρκεια της φάσης της αυτόματης βαθμονόμησης!**

*(Μια τέτοια ενέργεια θα μπορούσε να προκαλέσει εσφαλμένη βαθμονόμηση και/ή τραυματισμούς).*

## ΑΥΤΟΜΑΤΗ ΒΑΘΜΟΝΟΜΗΣΗ ΤΙΜΟΝΙΟΥ ΚΑΙ ΠΕΝΤΑΛ

Ποτέ μην συνδέετε το σετ των πεντάλ στη βάση της τιμονιέρας (ή το αποσυνδέετε από τη βάση) όταν είναι συνδεδεμένο στην κονσόλα ή κατά τη διάρκεια του παιχνιδιού (αυτό θα μπορούσε να προκαλέσει εσφαλμένη βαθμονόμηση).

Πάντα συνδέετε το σετ των πεντάλ πριν συνδέετε το τιμόνι στην κονσόλα.

Μόλις ολοκληρωθεί η βαθμονόμηση της τιμονιέρας και το παιχνίδι ξεκινήσει, η βαθμονόμηση των πεντάλ θα πραγματοποιηθεί αυτόματα μετά από μερικά πατήματα.



### **ΠΡΟΕΙΔΟΠΟΙΗΣΗ:**

**Ποτέ μην πατάτε τα πεντάλ**

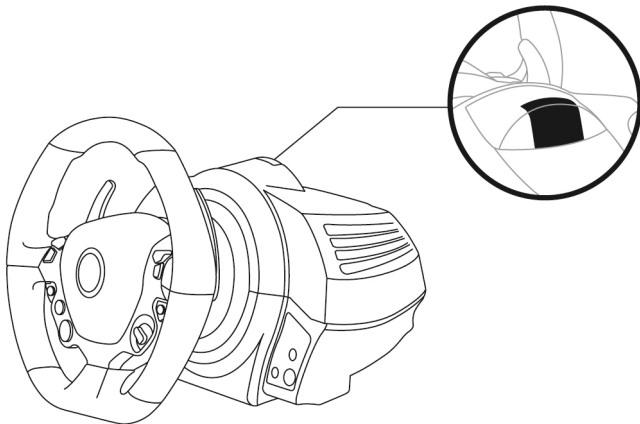
**κατά τη φάση της αυτόματης βαθμονόμησης ή κατά τη φόρτωση του παιχνιδιού!**

*(Αυτό θα μπορούσε να προκαλέσει εσφαλμένη βαθμονόμηση)*

**Αν το τιμόνι και το σετ πεντάλ δεν λειτουργούν σωστά ή η βαθμονόμηση φαίνεται λανθασμένη:**  
Απενεργοποιήστε την κονσόλα σας, αποσυνδέστε εντελώς το τιμόνι σας, επανασυνδέστε όλα τα καλώδια (χρησιμοποιώντας τον αντάπτορα τροφοδοσίας και το σετ πεντάλ), έπειτα επανεκκινήστε την κονσόλα σας και αρχίστε ξανά το παιχνίδι.

## ΑΝΤΙΣΤΟΙΧΙΣΗ ΕΛΕΓΚΤΗ (13)

Για να βεβαιωθείτε ότι ο εντοπισμός του τιμονιού είναι σωστός, η ένδειξη για Αντιστοίχιση ελεγκτή της συσκευής (που βρίσκεται στο επάνω μέρος της βάσης του τιμονιού) πρέπει να παραμένει πάντα στο οπτικό πεδίο της KINECT™.



## ΑΙΣΘΗΤΗΡΑΣ ΕΣΩΤΕΡΙΚΗΣ ΘΕΡΜΟΚΡΑΣΙΑΣ

Για λόγους ασφαλείας, η βάση του τιμονιού διαθέτει αισθητήρα θερμοκρασίας.

Αν η θερμοκρασία της συσκευής ανέβει αρκετά, η τιμονιέρα σας μπορεί ξαφνικά να σβήσει.

Σε αυτήν την περίπτωση:

- Βγάλτε από την πρίζα το καλώδιο τροφοδοσίας και την υποδοχή USB της συσκευής.
- Περιμένετε η βάση του τιμονιού να κρυώσει εντελώς.
- Έπειτα, επανασυνδέστε τη συσκευή.

## ΚΟΥΜΠΙ MODE ΚΑΙ ΛΥΧΝΙΑ ΕΝΔΕΙΞΗΣ (6)

### Κουμπί MODE για το σετ των πεντάλ

Το σετ των πεντάλ που περιλαμβάνεται στην τιμονιέρα TX Racing Wheel διαθέτει 2 πεντάλ.

Όταν χρησιμοποιείτε αυτό το σετ των πεντάλ, βεβαιωθείτε ότι η λυχνία ένδειξης παραμένει αναμμένη με κόκκινο χρώμα, διαφορετικά το πεντάλ του γκαζιού δεν θα λειτουργεί σωστά.

Η τιμονιέρα TX Racing Wheel είναι επίσης συμβατή με το σετ των πεντάλ της Thrustmaster που διαθέτει 3 πεντάλ (πωλούνται ξεχωριστά, σε μελλοντική έκδοση). Αυτά σας παρέχουν τη δυνατότητα να πραγματοποιείτε ηλεκτρονική εναλλαγή στο πεντάλ του γκαζιού και του συμπλέκτη.

Για να το κάνετε αυτό, απλώς πατήστε το κουμπί MODE (6) για 2 δευτερόλεπτα.

Στην εσωτερική μνήμη της τιμονιέρας αποθηκεύεται εάν έχει πραγματοποιηθεί ή όχι εναλλαγή των πεντάλ.

ΠΕΝΤΑΛ ΓΚΑΖΙΟΥ ΚΑΙ ΣΥΜΠΛΕΚΤΗ	Χρώμα της λυχνίας ένδειξης MODE (6)
ΚΑΝΟΝΙΚΑ	ΚΟΚΚΙΝΟ
ΕΝΑΛΛΑΓΗ	ΠΡΑΣΙΝΟ

### Άλλες συμβουλές για το κουμπί MODE

Για να μάθετε περισσότερα σχετικά με το κουμπί MODE και τη λυχνία ένδειξης, επισκεφθείτε τον ιστότοπο <http://support.thrustmaster.com>. Κάντε κλικ στις επιλογές **Racing Wheels / TX Racing Wheel**, και μετά επιλέξτε **Manual** ή **FAQ**.

### ΑΡΧΕΙΑ ΒΟΗΘΕΙΑΣ ΚΑΙ ΣΥΧΝΕΣ ΕΡΩΤΗΣΕΙΣ (δεν υπάρχουν σε αυτό το εγχειρίδιο)

Επισκεφθείτε τον ιστότοπο <http://support.thrustmaster.com>. Κάντε κλικ στις επιλογές **Racing Wheels / TX Racing Wheel**, και μετά επιλέξτε **Manual** ή **FAQ**.

## Πληροφορίες εγγύησης καταναλωτή

Παγκοσμίως, η Guillemot Corporation S.A. της οποίας η εγγεγραμμένη έδρα είναι η οδός Place du Granier, B.P. 97143, 35571 Chanteprie, France (Γαλλία) (εφεξής "Guillemot") εγγυάται στον καταναλωτή ότι το προϊόν της Thrustmaster δεν παρουσιάζει ελάττωμα στο υλικό ούτε κατασκευαστικές ατέλειες για το χρονικό διάστημα της εγγύησης, το οποίο αντιστοιχεί στο χρονικό όριο για άσκηση αγωγής για συμμόρφωση αναφορικά με αυτό το προϊόν. Στις χώρες της Ε.Ε., αυτό αντιστοιχεί σε διάστημα δύο (2) ετών από την παράδοση του προϊόντος της Thrustmaster. Σε άλλες χώρες, η περίοδος εγγύησης αντιστοιχεί στο χρονικό όριο για άσκηση αγωγής για συμμόρφωση αναφορικά το προϊόν της Thrustmaster σύμφωνα με την ισχύουσα νομοθεσία της χώρας στην οποία ο καταναλωτής διέμενε κατά την ημερομηνία αγοράς του προϊόντος της Thrustmaster (σε περίπτωση που δεν υπάρχει τέτοια ενέργεια στην αντίστοιχη χώρα, τότε η εγγύηση θα ισχύει για ένα (1) έτος από την αρχική ημερομηνία αγοράς του προϊόντος της Thrustmaster).

Σε περίπτωση που το προϊόν σας φαίνεται να είναι ελαττωματικό κατά την περίοδο της εγγύησης, επικοινωνήστε αμέσως με την Τεχνική υποστήριξη, η οποία θα υποδείξει την διαδικασία που θα ακολουθήσετε. Αν το ελάττωμα επιβεβαιωθεί, το προϊόν πρέπει να επιστραφεί στο σημείο αγοράς του (ή σε οποιοδήποτε άλλο σημείο υποδεικνύει η Τεχνική υποστήριξη).

Στα πλαίσια της εγγύησης, το ελαττωματικό προϊόν του καταναλωτή, με επιλογή της Τεχνικής υποστήριξης, είτε θα αντικατασταθεί είτε θα επιστραφεί και θα είναι σε κατάσταση λειτουργίας. Αν κατά τη διάρκεια της περιόδου εγγύησης το προϊόν της Thrustmaster υπόκειται σε τέτοιου είδους μετασκευή, οποιαδήποτε περίοδος τουλάχιστον επτά (7) ημερών κατά την οποία το προϊόν έχει τεθεί εκτός χρήσης θα προστεθεί στην εναπομένουσα περίοδο εγγύησης (αυτή η περίοδος ισχύει από την ημερομηνία του αιτήματος του καταναλωτή για παρέμβαση ή από την ημερομηνία κατά την οποία το εν λόγω προϊόν διατίθεται για μετασκευή, αν η ημερομηνία κατά την οποία το προϊόν διατίθεται για μετασκευή είναι επακόλουθη της ημερομηνίας του αιτήματος για παρέμβαση). Αν επιτρέπεται από την ισχύουσα νομοθεσία, η πλήρης ευθύνη της Guillemot και των θυγατρικών της (περιλαμβάνονται οι επακόλουθες ζημιές) περιορίζεται στην επιστροφή σε κατάσταση λειτουργίας ή την αντικατάσταση του προϊόντος της Thrustmaster. Αν επιτρέπεται από την ισχύουσα νομοθεσία, η Guillemot αποποιείται κάθε εγγύηση εμπορευσιμότητας ή καταλληλότητας για τον συγκεκριμένο σκοπό.

Η παρούσα εγγύηση δεν ισχύει: (1) αν το προϊόν έχει τροποποιηθεί, ανοιχτεί, μεταποιηθεί ή υποστεί βλάβη ως αποτέλεσμα ακατάλληλης ή κακής χρήσης, αμέλειας, ατυχήματος, φυσιολογικής φθοράς ή οποιασδήποτε άλλης αιτίας που δεν σχετίζεται με ελάττωμα στο υλικό ή κατασκευαστικό ελάττωμα (συμπεριλαμβανομένων, ενδεικτικά, συνδυάζοντας το προϊόν της Thrustmaster με οποιοδήποτε ακατάλληλο στοιχείο, συμπεριλαμβανομένων συγκεκριμένων παροχών ρεύματος, επαναφορτιζόμενων μπαταριών, φορτιστών ή άλλων στοιχείων που δεν παρέχονται από τη Guillemot για αυτό το προϊόν), (2) αν το προϊόν έχει χρησιμοποιηθεί για οποιοδήποτε άλλη χρήση πέρα από την οικιακή χρήση, συμπεριλαμβανομένης χρήσης για επαγγελματικούς ή εμπορικούς σκοπούς (για παράδειγμα, δωμάτια παιχνιδιών, εκπαίδευση, διαγωνισμοί), (3) σε περίπτωση μη συμμόρφωσης με τις οδηγίες που παρέχονται από την Τεχνική υποστήριξη, (4) για λογισμικό, το εν λόγω λογισμικό υπόκειται σε συγκεκριμένη εγγύηση, (5) για αναλώσιμα (στοιχεία που πρόκειται να αντικατασταθούν από τη διάρκεια ζωής του προϊόντος: για παράδειγμα, μπαταρίες μιας χρήσης, καλύμματα αυτιών για σετ ακουστικών ή ακουστικά), (6) για αξεσουάρ (για παράδειγμα, καλώδια, περιβλήματα, θήκες, τσάντες, λουράκια καρπού), (7) αν το προϊόν πωληθεί σε δημοπρασία.

Η παρούσα εγγύηση δεν μεταβιβάζεται.

Τα νομικά δικαιώματα του καταναλωτή σε σχέση με την ισχύουσα νομοθεσία όσον αφορά την πώληση των καταναλωτικών ειδών στη χώρα του/της που δεν επηρεάζονται από την παρούσα εγγύηση.

## Επιπλέον διατάξεις εγγύησης

Κατά την περίοδο εγγύησης, η Guillemot δεν θα διαθέσει, κατά βάση, κανένα ανταλλακτικό, καθώς η Τεχνική υποστήριξη είναι ο μόνος συμβαλλόμενος εξουσιοδοτημένος να ανοίξει και/ή να μετασκευάσει οποιοδήποτε προϊόν της Thrustmaster (με εξαίρεση κάθε διαδικασία μετασκευής, την οποία η Τεχνική υποστήριξη μπορεί να ζητήσει να διεξάγει ο καταναλωτής, υπό τη μορφή γραπτών οδηγιών – για παράδειγμα, λόγω της απλούστευσης και της έλλειψης εμπιστευτικότητας της διαδικασίας μετασκευής – και παρέχοντας στον καταναλωτή το απαιτούμενο(α) ανταλλακτικό(ά), όπου είναι εφικτό).

Δεδομένου των κύκλων καινοτομιών και με σκοπό την προστασία της τεχνολογίας και των εμπορικών μυστικών, η Guillemot δεν θα παρέχει, κατά βάση, καμία ειδοποίηση περί μετασκευής ή ανταλλακτικών για κανένα προϊόν της Thrustmaster του οποίου η περίοδος εγγύησης έχει λήξει.

## Ευθύνη

Αν επιτρέπεται από την ισχύουσα νομοθεσία, η Guillemot Corporation S.A. (εφεξής "Guillemot") και οι θυγατρικές της αποποιούνται κάθε ευθύνης για οποιαδήποτε ζημιά προκαλείται από ένα ή περισσότερα από τα ακόλουθα: (1) το προϊόν έχει τροποποιηθεί, ανοιχτεί ή μεταποιηθεί, (2) αποτυχία ως προς τη συμμόρφωση με τις οδηγίες συναρμολόγησης, (3) ακατάλληλη ή κακή χρήση, αμέλεια, ατύχημα (για παράδειγμα, πρόσκρουση), (4) φυσιολογική φθορά, (5) χρήση του προϊόντος για οποιαδήποτε άλλη χρήση πέρα από την οικιακή χρήση, συμπεριλαμβανομένης χρήσης για επαγγελματικούς ή εμπορικούς σκοπούς (για παράδειγμα, δωμάτια παιχνιδιών, εκπαίδευση, διαγωνισμοί). Αν επιτρέπεται από την ισχύουσα νομοθεσία, η Guillemot και οι θυγατρικές της αποποιούνται κάθε ευθύνης για οποιαδήποτε ζημιά δεν σχετίζεται με λάθος στο υλικό ή την κατασκευή αναφορά με το προϊόν (συμπεριλαμβάνεται, ενδεικτικά, οποιαδήποτε ζημιά προκαλείται άμεσα ή έμμεσα από οποιοδήποτε λογισμικό ή από συνδυασμό του προϊόντος της Thrustmaster με κάθε ακατάλληλο στοιχείο, συμπεριλαμβανομένων συγκεκριμένων παροχών ρεύματος, επαναφορτιζόμενων μπαταριών, φορτιστών ή άλλων στοιχείων που δεν παρέχονται από την Guillemot για αυτό το προϊόν).

**THRUSTMASTER®**

**ΤΕΧΝΙΚΉΣ ΥΠΟΣΤΉΡΙΞΗΣ**

<http://support.thrustmaster.com>



ENGLISH

FRAÇAIS

DEUTSCH

NETERLANDS

ITALIANO

ESPAÑOL

PORTUGUÉS

РУССКИЙ

ΕΛΛΗΝΙΚΑ

TÜRKÇE

POLSKI



## Πνευματικά δικαιώματα

© 2017 Guillemot Corporation S.A. Με την επιφύλαξη παντός δικαιώματος. Η ονομασία Thrustmaster® είναι εμπορικό σήμα της Guillemot Corporation S.A. Η ονομασία Ferrari® είναι εμπορικό σήμα της Ferrari Idea S.p.A. Όλα τα υπόλοιπα εμπορικά σήματα αποτελούν ιδιοκτησία των αντίστοιχων κατόχων τους. Οι εικόνες δεν είναι δεσμευτικές. Τα περιεχόμενα, οι σχεδιασμοί και οι προσδιορισμοί προδιαγραφών υπόκεινται σε αλλαγή χωρίς ειδοποίηση και ενδέχεται να ποικίλουν από χώρα σε χώρα. Κατασκευάζεται στην Κίνα.

## ΣΥΣΤΑΣΗ ΠΡΟΣΤΑΣΙΑΣ ΠΕΡΙΒΑΛΛΟΝΤΟΣ



Στην Ευρωπαϊκή Ένωση: Στο τέλος της ωφέλιμης διάρκειας ζωής, το παρόν προϊόν δεν πρέπει να απορρίπτεται με τα τυπικά οικιακά απορρίμματα, αλλά να απορρίπτεται σε σημείο συλλογής απόρριψης ηλεκτρικού και ηλεκτρονικού εξοπλισμού για ανακύκλωση.

Το παρόν επιβεβαιώνεται με το σύμβολο που υπάρχει στο προϊόν, στο εγχειρίδιο χρήσης ή στη συσκευασία.

Ανάλογα με τα χαρακτηριστικά τους, τα υλικά μπορούν να ανακυκλωθούν. Μέσω της ανακύκλωσης και άλλων μορφών επεξεργασίας απόρριψης ηλεκτρικού και ηλεκτρονικού εξοπλισμού, μπορείτε να συμβάλετε σημαντικά στην προστασία του

περιβάλλοντος. Επικοινωνήστε με τις τοπικές αρχές για το πλησιέστερο σε εσάς σημείο συλλογής.

Για όλες τις υπόλοιπες χώρες: Να τηρείτε τους τοπικούς νόμους περί ανακύκλωσης του ηλεκτρικού και ηλεκτρονικού εξοπλισμού.

Κρατήστε αυτές τις πληροφορίες. Τα χρώματα και τα διακοσμητικά ενδέχεται να ποικίλουν.

Τα πλαστικά εξαρτήματα σύνδεσης και τα αυτοκόλλητα υλικά πρέπει να αφαιρούνται από το προϊόν πριν τη χρήση του.

[www.thrustmaster.com](http://www.thrustmaster.com)

*\*Ισχύει μόνο σε ΕΕ και Τουρκία*

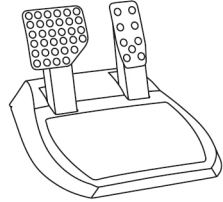
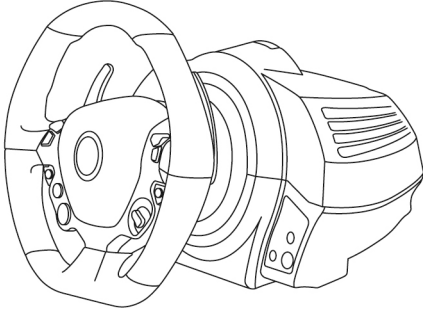


# TX Racing Wheel

FERRARI 458 ITALIA EDITION

XBOX ONE İÇİN

Kullanım Kılavuzu



## **UYARI:**

TX Yarış Direksiyonunuzun XBOX ONE oyunlarıyla düzgün çalışmasını sağlamak için, oyunların otomatik güncellemelerini yüklemeniz gerekebilir (oyun konsolunuz İnternete bağlıyken yapılabilir).

ENGLISH

FRAANÇAIS

DEUTSCH

NEDERLANDS

ITALIANO

ESPAÑOL

PORTUGUÉS

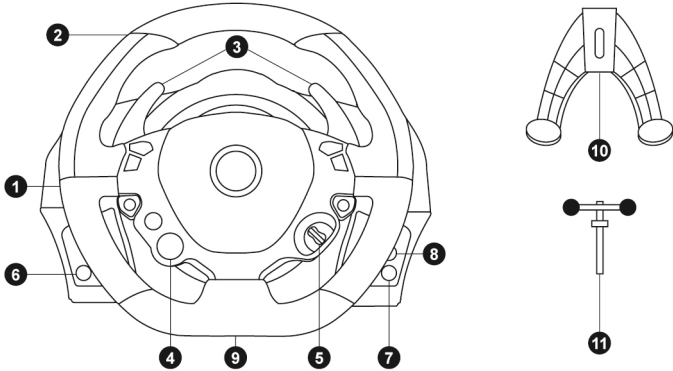
РУССКАЯ

ΕΛΛΗΝΙΚΑ

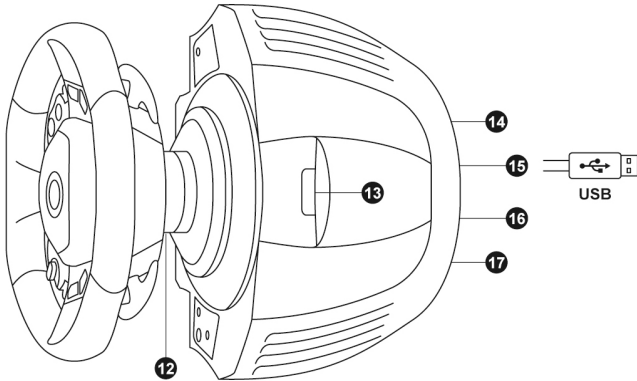
TÜRKÇE

POLSKI

## TEKNİK ÖZELLİKLER



- |   |   |
|---|---|
| 1 Yarış direksiyonu tabanı                      | 7 Xbox Guide düğmesi                                      |
| 2 Yarış direksiyonu                             | 8 Beyaz gösterge lambası                                  |
| 3 2 sıralı vites kolu (Yukarı ve Aşağı)         | 9 Büyük dişli delik (montaj sistemi ve sıkma vidası için) |
| 4 Çok yönlü D-ped (Engine Start)                | 10 Montaj sistemi   |
| 5 Manettino (2 pozisyonlu)                      | 11 Metal bağlantı vidası                                  |
| 6 MODE düğmesi + Kırmızı/Yeşil gösterge lambası |   |



- |   |  |
|---|--|
| 12 Thrustmaster Quick Release   | 15 Yarış direksiyonu USB kablosu ve konektörü                      |
| 13 Kumanda birimi eşleştirme (Kinect™ algılaması için)                    | 16 Vites konektörü<br>(ayrı olarak satılır, yakında çıkacak sürüm) |
| 14 Şebeke konektörü (tip A veya B)<br>(Ülkeden ülkeye farklılık gösterir) | 17 Pedal seti konektörü  |

## YARIŞ DİREKSİYONUNU ŞEBEKE ELEKTRİĞİNE BAĞLAMA = DİKKATLE OKUYUN

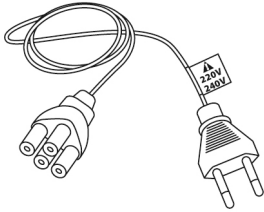
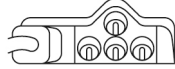
Yarış direksiyonunuzun güç beslemesi cihazınızı aldığınız ülkeye göre değişir.

Şebeke beslemesi şunlardan biri olabilir:

### Dahili:

\* Doğrudan yarış direksiyonu tabanının içine yerleştirilmiş, tip A konektörlü üç besleme birimi  
220-240V elektrik kablosu

= sadece 220-240V elektrik şebekesi ile uyumlu.



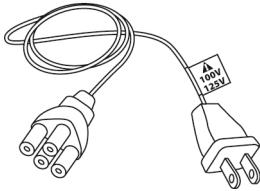
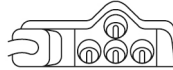
**220-240V elektrik kablosunu asla  
100-130V prize bağlamayın!  
Bu kabloyu asla şebeke güç adaptörüne bağlamayın!**



### Dahili:

\* Doğrudan yarış direksiyonu tabanının içine yerleştirilmiş, tip A konektörlü güç besleme birimi  
\* 100-125V elektrik kablosu

= sadece 100-125V elektrik şebekesi ile uyumlu.



**100-125V elektrik kablosunu asla  
220-240V prize bağlamayın!  
Bu kabloyu asla şebeke güç adaptörüne bağlamayın!**



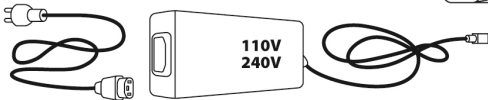
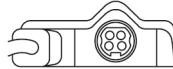
**ÖNEMLİ:** Yarış direksiyonunuzu kullandığınız bölgede hangi voltajın kullanıldığını bilmiyorsanız  
lütfen yerel elektrik dağıtım şirketinize başvurun.

### Harici:

\* Yarış direksiyonu tabanının üzerine yerleştirilmiş, tip B konektörlü harici güç besleme birimi

\* Elektrik kablosu

= Tüm besleme voltajları, 110-240V ile uyumlu.



## UYARI

Bu ürünü kullanmadan önce lütfen bu dokümantasyonu dikkatlice okuyun ve daha sonra başurma ihtiyacı duymanız halinde kullanmak üzere güvenli bir yerde saklayın.



### **Uyarı - Elektrik çarpması**

- \* Ürünü kuru bir yerde saklayın ve toza veya güneş ışığına maruz bırakmayın.
- \* Bağlantı yönüne dikkat edin.
- \* Konektörleri ve kabloları bükmeyin ve çekmeyin.
- \* Ürünün veya konektörlerinin üzerine herhangi bir sıvı dökmeyin.
- \* Ürünü kısa devre yapmayın.
- \* Ürünü asla parçalarına ayırmayın, ateşe atmayın ve yüksek sıcaklıklara maruz bırakmayın.
- \* Yanış direksiyonunuzla verilen elektrik kablosunun dışında elektrik kablosu kullanmayın.
- \* Kablo veya konektörler hasarlı, yarık veya kırıkta elektrik kablosunu kullanmayın.
- \* Elektrik kablosunun prize ve yanış direksiyonu tabanının arka kısmında bulunan konektöre düzgün bir şekilde takıldığından emin olun.
- \* Açmayın. İçinde kullanıcı tarafından değiştirilebilecek parça yoktur. Servis işlemleri için üretici firmaya, belirlenen temsilciye veya kalifiye teknisyene başvurun.
- \* Sadece üretici tarafından belirtilmiş olan bağlantı elemanlarını/aksesuarları kullanın.
- \* Direksiyon beklenmeyen şekilde çalışıyorsa (anormal sesler, ısı veya koku yayıyorsa) direksiyonu kullanmayı derhal kesin, elektrik kablosunu prizden çekin ve diğer kabloları ayırın.
- \* Direksiyonu uzun süre kullanmayacasanız şebeke adaptörünü duvar prizinden çekin.



### **Havalandırma delikleri**

Direksiyon tabanı üzerindeki hiçbir havalandırma deliğini bloke etmediğinizden emin olun. Optimum havalandırma için aşağıdaki noktalara dikkat edin:

- \* Tabanı tüm duvar yüzeylerinden en az 10 cm uzağa yerleştirin.
- \* Tabanı dar yerlere yerleştirmeyin.
- \* Tabanı örtmeyin.
- \* Havalandırma deliklerinin üzerinde toz birikmesine izin vermeyin.



**Güvenlik nedeniyle pedal setini asla çıplak ayaklarla veya ayağınıza sadece çorap giyerek oynamayın.**

**THRUSTMASTER® PEDAL SETİNİN AYAKKABISIZ KULLANILMASINDAN KAYNAKLANAN YARALANMALARDA HİÇBİR SORUMLULUK KABUL ETMEZ.**



### **Uyarı - Force feedback ve tekrarlanan hareketlerden dolayı yaralanma**

Force-feedback direksiyonla oynamak kas veya eklem ağrısına nedne olabilir. Her türlü sorunu önlemek için:

- \* Uzun oyun periyotlarından sakının.
- \* Her oyun saatinin ardından 10 ila 15 dakika ara verin.
- \* Ellerinizde, bileklerinizde, kollarınızda, ayaklarınızda veya bacaklarınızda yorgunluk veya ağrı hissederseniz oynamayı kesin ve yeniden oynamaya başlamadan önce birkaç saat dinlenin.



## **Uyarı - Force feedback ve tekrarlanan hareketlerden dolayı yaralanma**

- \* Yeniden oynamaya başladığınızda yukarıda belirtilen semtomlar veya ağrı tekrar ederse oynamayı kesin ve bir doktora başvurun.
- \* Çocukların ulaşabileceği yerlerden uzak tutun.
- \* Oyunlar sırasında kollarınızı, tamamen gitmesine izin vermeden daima direksiyon üzerinde doğru konumlandırılmış olarak bırakın.
- \* Oyun oynarken asla ellerinizi veya parmaklarınızı pedalların altına ya da pedal setine yakın yerlere koymayın.
- \* Kalibrasyon ve oyun sırasında asla elinizi veya kolunuzu yarış direksiyonundaki deliklere sokmayın.
- \* Direksiyon tabanının kılavuzda geçen talimatlara uygun olarak dikkatli bir şekilde kenetlendiğini kontrol edin.



Sadece 16 yaş ve üzeri kullanıcılar tarafından kullanılmalıdır



Ürünü kendinizin veya başkalarının üzerine düşürmemeye dikkat edin!

**DAİMA**



**ASLA**



**ASLA**





### **Uyarı - Oynarken pedal seti sıkıştırma tehlikesi**

- \* Pedal setini çocukların ulaşabileceği yerlerden uzak tutun.
- \* Oynarken parmaklarınızı asla pedalların yanlarına veya yakın yerlere koymayın.
- \* Oynarken parmaklarınızı asla pedalların arka tabanı üzerinde veya yanlarında bırakmayın.
- \* Oynarken parmaklarınızı asla pedalların ön tabanı üzerine veya yanlarına koymayın.

**ASLA**



**ASLA**



**ASLA**



### **Uyarı - Oynamıyorken pedal seti sıkıştırma tehlikesi**

- \* Pedal setini güvenli ve çocukların ulaşamayacağı bir yerde saklayın.

## FERRARI 458 ITALIA YARIŞ DİREKSİYONUNUN TABANINA TAKILMASI

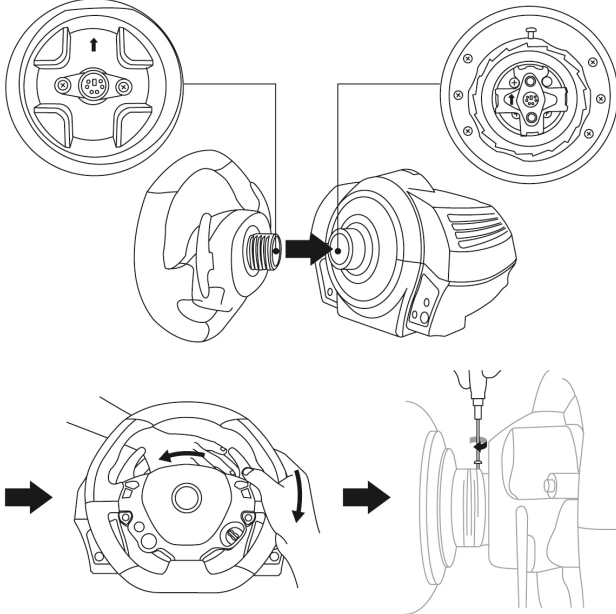
Konektör yerlerini okları kullanarak hizalayın:

**Taban konektörü (1):** Ok yukarı doğru bakar

**Yarış direksiyonu konektörü (2):** Ok yukarı doğru bakar

Konektörler doğru bir şekilde konumlandırıldıktan sonra yarış direksiyonunu (2) yerinde tutarken Thrustmaster Quick Release (12) aygıtının bileziğini saatin aksi yönünde döndürün.

Ardından bileziği mümkün olduğu kadar sıkın; bunu yapmak için bileziği yerinde tutarak yarış direksiyonunu saat yönünde döndürün.



FERRARI 458 ITALIA yarış direksiyonunu taktıktan sonra Thrustmaster Quick Release (12) aygıtının üzerinde bulunan küçük montaj vidasına ulaşmak için direksiyonu 180° (direksiyona bakarken FERRARI logosu baş aşağı olmalıdır) döndürün. Küçük ayar vidasını sıkmak için büyük yıldız tornavida kullanarak saat yönünde çevirin (fazla güç uygulamayın).



**Küçük ayar vidasını (yıldız tornavida kullanarak) vidalarken fazla güç kullanmayın!  
Bir miktar direnç hissederseniz hissetmez vidayı döndürmeyi kesin.**

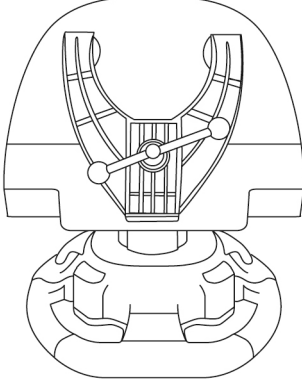


# YARIŞ DİREKSİYONUNUN MONTE EDİLMESİ

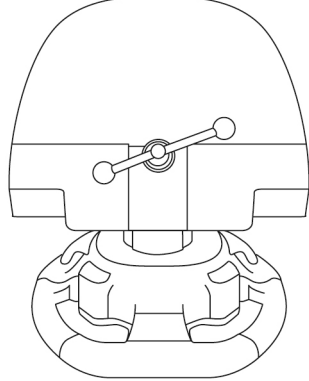
## Yarış direksiyonunun bir sehpa veya masaya monte edilmesi

1. Yarış direksiyonunu bir masa veya yatay, düz ve sağlam bir yüzeye yerleştirin.
2. Bağlantı vidasını (11) montaj sistemine takın (10) ve cihaz tamamen sabitlenene dek bağlantı vidasını saatin aksi yönünde sıkarak, yarış direksiyonunu altındaki büyük dişli deliğe (9) geçirin.

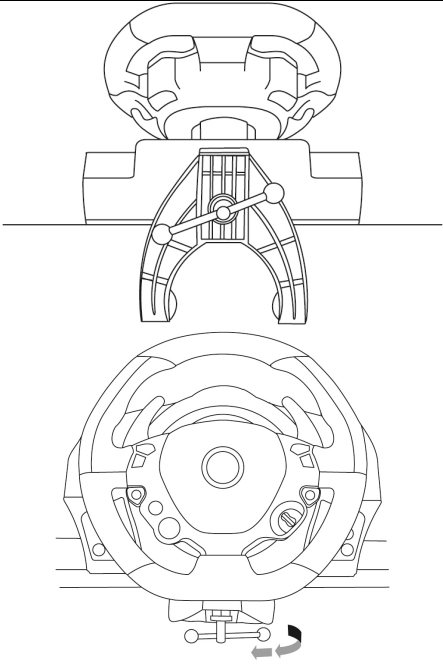
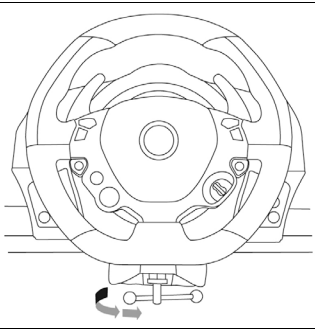
DAİMA



ASLA



**UYARI:** Vidayı, montaj sistemi olmadan asla tek başına sıkmayın!  
(Yarış direksiyonuna zarar verebilir).

MONTE ETME / SÖKME	YÖN
<p><b><u>Sıkmak için:</u></b></p> <p><i>Vidayı saatin aksi yönünde çevirin</i></p>	
<p><b><u>Gevşetmek için:</u></b></p> <p><i>Vidayı saat yönünde çevirin</i></p>	

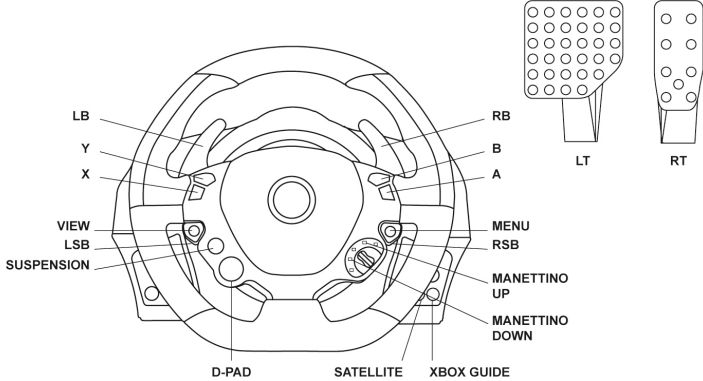
## Yarış direksiyonu tabanını kokpite monte etme

1. Yarış direksiyonu tabanını kokpit rafına yerleştirin.
2. İki adet M6 vidayı (ürünle verilmez) kokpit rafından geçirin ve yarış direksiyonunun altında bulunan iki küçük dişli deliğe takın.  
*Önemli: M6 vidaların boyu raf kalınlığı + 12 mm'yi geçmemelidir; daha uzun vidalar yarış direksiyonu tabanında bulunan dahili bileşenlere zarar verebilirler.*
3. Gerekirse bağlantı vidasını büyük dişli deliğe geçirerek standart montaj sistemini sıkın.

## Pedal setini kokpite monte etme

1. Pedal setini, altında bulunan küçük dişli delikleri kullanarak monte edin.
2. İki adet M6 vidayı (ürünle verilmez) kokpit rafından geçirin ve pedal setinin altında bulunan iki küçük dişli deliğe takın.  
*Önemli: M6 vidaların boyu raf kalınlığı + 10 mm'yi geçmemelidir; daha uzun vidalar pedal setinde bulunan dahili bileşenlere zarar verebilirler.*

## EŞLEŞTİRME



Xbox One'da ürün piyasaya sürüldüğünde direksiyon üzerindeki farklı hareket düğmeleri oyunda aynı özelliklere sahip olacaktır.

Yakın gelecekte oyunlarınızı otomatik olarak güncellemek (otomatik güncelleme konsolunuz İnternete bağlı ise yapılabilir) ve yarış direksiyonunuzun donanım yazılımını güncellemek aynı özellikleri kaldırmanızı ve ayrı özellikli düğmelerin sayısını artırmanızı sağlayacaktır.

## YARIŞ DİREKSİYONUNUZUN DONANIM YAZILIMINI YÜKSELTME

Yarış direksiyonunuzun tabanında bulunan donanım yazılımı ürün geliştirmeleri içeren daha yeni sürümlere yükseltilebilir.

Yarış direksiyonunuzun halihazırda kullandığı donanım yazılımı sürümünü görmek ve gerektiğinde güncellemek için: PC'de <http://support.thrustmaster.com> adresine gidin. **Racing Wheels / TX Racing Wheel** 'ye tıklayın, daha sonra **Firmware**'i seçerek indirme ve yükleme prosedüründe açıklanan talimatları izleyin.

## YARIŞ DİREKSİYONUNUN XBOX ONE İÇİN AYARLANMASI

1. Pedal setini, yarış direksiyonu tabanının arka kısmında bulunan konektöre (17) bağlayın.
2. Elektrik kablosunu, yarış direksiyonu tabanının arka kısmında bulunan konektöre (14) bağlayın.
3. Elektrik kablosunu uygun voltaj özelliklerine sahip bir prize bağlayın.



**Bununla ilgili daha fazla bilgi için lütfen bu kılavuzun 3. sayfasındaki YARIŞ DİREKSİYONUNU ŞEBEKE ELEKTRİĞİNE BAĞLAMA kısmına bakın.**

4. Yarış direksiyonunun USB konektörünü (15) konsolun USB portlarında birine bağlayın.

**Artık yarışmaya hazırsınız!**

## OTOMATİK YARIŞ DİREKSİYONU VE PEDAL SETİ KALİBRASYONU

Yarış direksiyonunu şebeke elektriğine ve yarış direksiyonunun USB konektörünü konsola bağladığınızda yarış direksiyonu kendini otomatik olarak kalibre eder.

Bu aşamada yarış direksiyonu, 900 derecelik bir açığı kaplayıp merkezde durmadan önce sola ve sağa doğru hızlı bir şekilde döner.



**UYARI:**

**Otomatik kalibrasyon aşamasında yarış direksiyonuna asla dokunmayın.  
(Hatalı kalibrasyona ve/veya yaralanmalara neden olabilir.)**

## OTOMATİK PEDAL SETİ KALİBRASYONU

Konsola bağlıyken veya oyun sırasında pedal setini asla yarış direksiyonu tabanına bağlamayın (veya tabandan ayırmayın) (hatalı kalibrasyona neden olabilir).

Pedal setini daima yarış direksiyonunu konsola bağlamadan önce bağlayın.

Yarış direksiyonunun kalibrasyonu tamamlandığında ve oyun başlatıldığında pedallar, bir kaç basma sonunda otomatik olarak kalibre edilirler.



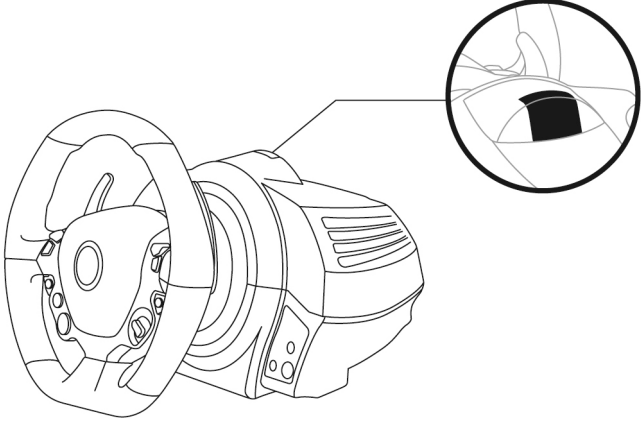
**UYARI:**

**Yarış direksiyonunun otomatik kalibrasyonu aşamasında veya oyun yüklenirken asla pedallara basmayın.  
(Hatalı kalibrasyona neden olabilir)**

**Yarış direksiyonu ve pedal seti düzgün çalışmıyorsa veya kalibrasyon hatalı gözüküyorsa:**  
Konsolunuzu kapatın, yarış direksiyonunuzun tamamen ayırın, tüm kabloları (elektrik kablosunu ve pedal setini kullanarak) tekrar bağlayın, ardından konsolunuzu ve oyununuzu yeniden başlatın.

## KUMANDA BİRİMİ EŞLEŞTİRME (13)

Yarış direksiyonunuzun doğru algılanmasını sağlamak için kumanda birimi eşleştirme (*yarış direksiyonu tabanının üst kısmında bulunur*) daima KINECT™ kameranın görüş alanında kalmalıdır.



## DAHİLİ SICAKLIK SENSÖRÜ

Güvenlik nedenleriyle yarış direksiyonu tabanında bir sıcaklık sensörü bulunur. Cihazın sıcaklığı çok yükselirse yarış direksiyonunuz ansızın kapanabilir.

Bu durumda:

- Elektrik kablosunu ve cihazın USB konektörünü çıkarın.
- Yarış direksiyonu tabanının tamamen soğumasını bekleyin.
- Ardından cihazı tekrar bağlayın.

## MODE DÜĞMESİ VE GÖSTERGE LAMBASI (6)

### Pedal seti MODE düğmesi

TX Yarış Direksiyonu ile gelen pedal seti 2 pedala sahiptir.

Bu pedal setini kullanırken gösterge lambasının kırmızı renkte yanık kaldığından emin olun, aksi takdirde gaz pedalı düzgün çalışmaz.

TX Yarış Direksiyonu, Thrustmaster'ın 3 pedal içeren pedal setleriyle (*ayrı olarak satılır; yakında çıkacak sürüm*) de uyumludur; bunlar, gaz ve debriyaj pedallarını elektronik olarak değiştirmenizi sağlar.

Bunu yapmak için MODE düğmesine (6) 2 saniye süreyle basın.

Yarış direksiyonunun dahili hafızası pedalların değiştirilip değiştirilmediğini kaydeder.

GAZ VE DEBRİYAJ PEDALLARI	MODE gösterge lambasının (6) rengi
NORMAL	KIRMIZI
DEĞİŞTİRİLDİ	YEŞİL

### MODE düğmesi için diğer ipuçları

MODE düğmesi ve gösterge lambası ile ilgili daha fazla bilgi için lütfen bkz. <http://support.thrustmaster.com>. Racing Wheels / TX Racing Wheel 'ye tıklayın ve **Manual** veya **FAQ**'yu seçin.

### YARDIM DOSYALARI VE SIK SORULAN SORULAR (bu kılavuzda geçmez)

Lütfen bkz. <http://support.thrustmaster.com>. Racing Wheels / TX Racing Wheel 'ye tıklayın ve **Manual** veya **FAQ**'yu seçin.

## TÜKETİCİ GARANTİ BİLGİSİ

İşbu Thrustmaster ürünü, malzeme ve işçilik hatalarına karşı, müşterinin kusurlu ürünün ücretinin iade edilmesi veya değiştirilmesi talebinde bulunabileceği süreye karşılık gelen garanti süresince dünya çapında tescil edilmiş merkezi Place du Granier, B.P. 97143, 35571 Chantepie, Fransa'da bulunan Guillemot Corporation S.A. (bundan sonra "Guillemot" olarak ifade edilecektir) garantisini altındadır. Avrupa Birliği ülkelerinde bu süre, Thrustmaster ürününün tesliminden itibaren iki (2) seneye karşılık gelir. Diğer ülkelerde garanti süresi, Thrustmaster ürünü ile ilgili olarak, Thrustmaster ürününün satın alındığı tarihte müşterinin ikamet ettiği ülkede geçerli yasalara uygun şekilde, müşterinin kusurlu ürünün ücretinin iade edilmesi veya değiştirilmesi talebinde bulunabileceği süreye karşılık gelir (İlgili ülkede bu tür bir düzenleme mevcut değilse garanti süresi Thrustmaster ürününün satın alındığı asıl tarihten itibaren bir (1) yıl olacaktır).

Garanti süresi içinde üründe hata veya kusur tespit edilmesi durumunda derhal izlenecek yöntem ile ilgili size bilgi verecek olan Teknik Destek servisimize başvurun. Hata veya kusur onaylanırsa ürünün satın alındığı yere (ya da Teknik Destek servisi tarafından belirtilen yere) iade edilmesi gerekmektedir.

İşbu garanti kapsamında müşterinin kusurlu ürünü, Teknik Destek servisinin insiyatifine bağlı olarak, değiştirilecek veya çalışır hale getirilecektir. Garanti süresince Thrustmaster ürününün onarım işlemine tabi tutulması durumunda, ürünün kullanım dışı olduğu en az yedi (7) günlük tüm süreler kalan garanti süresine eklenecektir (bu süre, ürünün onarılması için hazır bulundurulduğu tarih müdahale edilmesi için talepte bulunduğu tarihi takip ediyor ise müşterinin müdahale edilmesi için talepte bulunduğu tarihten veya bahse konu ürünün onarılması için hazır bulundurulduğu tarihten başlar). Yürürlükte olan yasaların izin verdiği durumlarda, Guillemot ve bağlılarının tüm sorumluluğu (dolaylı hasarlar da dahil olmak üzere) Thrustmaster ürününün çalışır hale getirilmesi veya değiştirilmesi ile sınırlıdır. Yürürlükte olan yasaların izin vermesi halinde Guillemot, ticarete elverişlilik veya belirli bir amaca uygunluk ile ilgili tüm garantileri reddeder.

İşbu garanti aşağıdaki durumlar için geçerli değildir: (1) Ürün modifiye edilmişse, açılmışsa, üzerinde değişiklik yapılmışsa, uygunsuz veya kötü kullanım, ihmal, kaza, normal aşınma ya da malzeme veya üretim hatası ile ilgili olmayan nedenlerden dolayı hasar görmüşse (ancak bununla sınırlı kalmamak üzere, Thrustmaster ürününü herhangi uygun bir elemanla birleştirmek, buna dahil olarak özellikle güç kaynakları, yeniden doldurulabilir piller, şarj cihazları veya bu ürün için Guillemot tarafından tedarik edilmemiş tüm diğer elemanlar); (2) ürün, evde kullanım dışında, profesyonel veya ticari maksatlı olanlar da dahil olmak üzere (örneğin oyun salonları, eğitim, yarışlar) başka maksatlarla kullanılmışsa; (3) Teknik Destek servisi tarafından sağlanan talimatlara uyulmamışsa; (4) yazılım için, işbu garanti geçerli değildir, söz konusu yazılım için sağlanan özel garanti hükümlerine tabidir; (5) sarf malzemeleri için (ürünün kullanım süresi içinde değiştirilecek elemanlar: örneğin; tek kullanımlık piller, kulaklık yastıkları); (6) aksesuarlar için (örneğin; kablolar, kılıflar, cepler, çantalar, bileklikler); (7) ürün açık artırma ile satılmışsa. Bu garanti devrolunamaz.

Tüketim mallarının tüketicinin ülkesinde satışına ilişkin tüketicinin yasal hakları işbu garantiden etkilenmemektedir.

## Ek garanti hükümleri

Garanti süresince, tüm Thrustmaster ürünlerini açmaya ve/veya onarmaya yetkili tek taraf Teknik Destek Servisi olduğundan prensip olarak Guillemot tarafından hiçbir yedek parça sağlanmayacaktır (Uygulanabilir olması durumunda yazılı talimatlarla ve müşteriye gerekli yedek parça(lar) sağlanarak Teknik Destek Servisinin müşteri tarafından yapılmasını isteyebileceği tüm onarım prosedürleri hariç – örneğin onarım işleminin basit olmasından ve gizlilik içermemesinden dolayı).

İnovasyon döngülerini dikkate almak ve bilgi birikimi ile ticari sırlarını korumak için Guillemot, prensip olarak garanti süresi dolmuş hiç bir Thrustmaster ürünü için onarım bilgisi veya yedek parça sağlamayacaktır.

## Sorumluluk

Yürürlükte olan yasaların izin vermesi halinde, Guillemot Corporation S.A. (bundan sonra "Guillemot" olarak ifade edilecektir) ve bağlıları aşağıdakilerin biri veya daha fazlasından kaynaklanan her türlü hasara karşı tüm sorumluluğu reddeder: (1) Ürün modifiye edilmişse, açılmışsa, üzerinde değişiklik yapılmışsa; (2) montaj talimatlarına uyulmamışsa; (3) uygunsuz veya kötü kullanım, ihmal, kaza (örneğin bir darbe); (4) normal aşınma; (5) ürünün, evde kullanım dışında, profesyonel veya ticari maksatlı olanlar da dahil olmak üzere (örneğin oyun salonları, eğitim, yarışlar) başka maksatlarla kullanılması. Yürürlükte olan yasaların izin vermesi halinde, Guillemot ve bağlıları ürünle ilgili malzeme veya üretim hatası ile ilgili olmayan her türlü hasara karşı tüm sorumluluğu reddeder (ancak bununla sınırlı kalmamak üzere, herhangi bir yazılımdan veya Thrustmaster ürününün herhangi bir uygun olmayan elemanla birleştirilmesinden doğrudan veya dolaylı olarak kaynaklanan tüm hasarlar, buna dahil olarak özellikle güç kaynakları, yeniden doldurulabilir piller, şarj cihazları veya bu ürün için Guillemot tarafından tedarik edilmemiş tüm diğer elemanlar).

**THRUSTMASTER®**

**TEKNİK DESTEK**

<http://support.thrustmaster.com>





## TELİF HAKKI

© 2017 Guillemot Corporation S.A. Tüm hakları saklıdır. Thrustmaster® Guillemot Corporation S.A'nın tescilli markasıdır. Ferrari® Ferrari Idea S.p.A'nın tescilli markasıdır. Diğer tüm ticari markalar kendi sahiplerinin. Resimler bağlayıcı değildir. İçerik, tasarım ve özellikler önceden haber verilmeksizin değiştirilebilir ve bir ülkeden başka bir ülkeye değişiklik gösterebilir. Çin'de yapılmıştır.

## ÇEVRE KORUMA ÖNERİLERİ



Avrupa Birliği'nde: Cihazın kullanım ömrü sona erdiğinde, standart ev atıkları ile atılmamalı, geri dönüşüm için Atık Elektrikli ve Elektronik Cihazların toplandığı bir yere bırakılmalıdır.

Bu, ürünün, kullanım kılavuzunun veya paketin üzerinde bulunan sembol ile onaylanmıştır.

Özelliklerine bağlı olarak malzemeler geri dönüştürülebilir. Atık Elektrik ve Elektronik Cihazların geri dönüşümü veya diğer işleme yöntemleri sayesinde çevrenin

korunmasına yönelik önemli bir katkıda bulunabilirsiniz. Size en yakın toplama merkezleri hakkında bilgi almak için lütfen yerel yetkililerle iletişime geçin.

Diğer ülkeler için: Lütfen elektrikli ve elektronik cihazların geri dönüşümü için yerel yasalara uyunuz.

## AEEE Yönetmeliğine Uygundur.

Bu belgeyi saklayın. Renkler ve süslemeler değişiklik gösterebilir.  
Plastik tutturucular ve bantlar, kullanmadan önce üründen çıkarılmalıdır.

[www.thrustmaster.com](http://www.thrustmaster.com)

*\*Sadece AB ve Türkiye için geçerlidir*

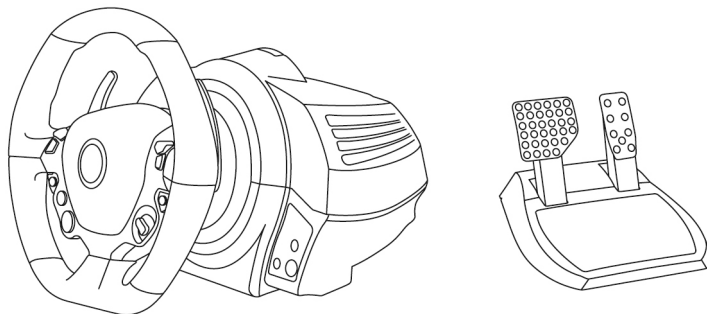


# TX Racing Wheel

FERRARI 458 ITALIA EDITION

NA XBOX ONE

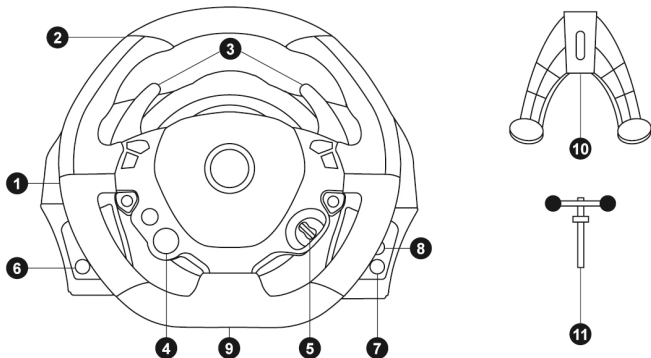
Instrukcja obsługi



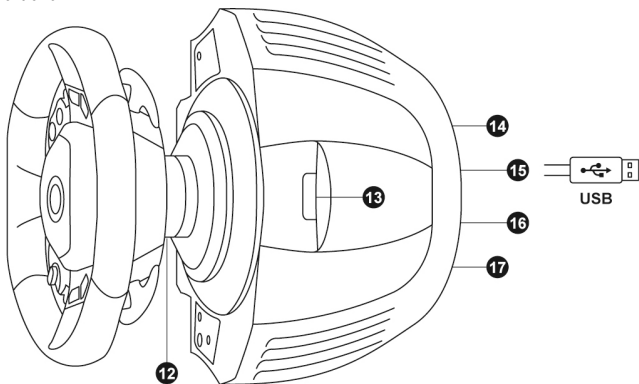
## **OSTRZEŻENIE:**

W celu zapewnienia prawidłowego działania kierownicy TX Racing Wheel w grach na konsolę XBOX ONE może być wymagane zainstalowanie automatycznych aktualizacji gier (dostępnych, gdy konsola ma połączenie z Internetem).

## DANE TECHNICZNE



- |   |   |
|---|---|
| 1 Podstawa kierownicy                                       | 7 Przycisk Xbox Guide   |
| 2 Kierownica  | 8 Biała kontrolka   |
| 3 2 dźwignie sekwencyjnej zmiany biegów<br>(w górę i w dół) | 9 Duży gwintowany otwór (na element<br>montażowy i śrubę dociskową) |
| 4 Wielokierunkowy d-pad (Engine Start)                      | 10 Element montażowy  |
| 5 Manettino (2 położenia)                                   | 11 Metalowa śruba mocująca  |
| 6 Przycisk MODE + czerwona/zielona<br>kontrolka             |   |



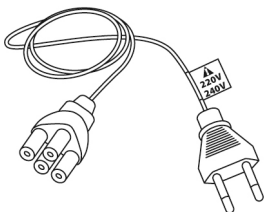
- |   |   |
|---|---|
| 12 Thrustmaster Quick Release   | 15 Kabel kierownicy ze złączem USB  |
| 13 Układ parowania kontrolera (do<br>wykrywania przez czujnik Kinect™)  | 16 Złącze skrzyni biegów<br>(sprzedawanej oddzielnie po<br>planowanym wprowadzeniu na<br>rynek) |
| 14 Złącze zasilania sieciowego (typ A lub B)<br>(w zależności od kraju) | 17 Złącze zestawu pedałów   |

## PODŁĄCZANIE KIEROWNICY DO SIECI ZASILAJĄCEJ = PRZECZYTAĆ PRZED WYKONANIEM DAJSZYCH CZYNNOŚCI!

Rodzaj zasilania kierownicy zależy od kraju jej zakupu. Możliwe rodzaje zasilania:

### Wewnętrzne:

- \* Zasilacz znajdujący się bezpośrednio w podstawie kierownicy i wyposażony w złącze typu A
- \* Kabel zasilania do sieci 220–240 V
- = przeznaczony wyłącznie do zasilania o napięciu 220–240 V

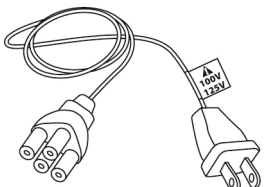


**Kabla przeznaczonego do napięcia 220–240 V nie wolno podłączać do gniazda o napięciu 100–130 V! Nie wolno podłączać tego kabla do zasilacza sieciowego!**



### Wewnętrzne:

- \* Zasilacz znajdujący się bezpośrednio w podstawie kierownicy i wyposażony w złącze typu A
- \* Kabel zasilania do sieci 100–125 V
- = przeznaczony wyłącznie do zasilania o napięciu 100–125 V



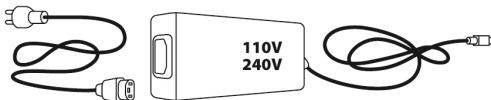
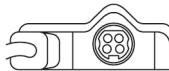
**Kabla przeznaczonego do napięcia 100–125 V nie wolno podłączać do gniazda o napięciu 220–240 V! Nie wolno podłączać tego kabla do zasilacza sieciowego!**



**WAŻNE: jeśli nie wiesz, jakie napięcie jest stosowane w miejscu, w którym korzystasz z kierownicy, skontaktuj się z miejscowym dostawcą energii elektrycznej.**

### Zewnętrzne:

- \* Zasilacz zewnętrzny znajdujący się na podstawie kierownicy i wyposażony w złącze typu B
- \* Kabel zasilania
- = przeznaczony do wszystkich napięć w zakresie 110–240 V



## OSTRZEŻENIE

Zanim rozpoczniesz korzystanie z urządzenia, szczegółowo zapoznaj się z niniejszą instrukcją. Po przeczytaniu instrukcji zachowaj ją na później.



### **Ostrzeżenie — ryzyko porażenia prądem elektrycznym**

- \* Przechowuj urządzenie w suchym miejscu i nie wystawiaj go na działanie kurzu ani światła słonecznego.
- \* Dbaj o właściwy kierunek połączeń.
- \* Nie skręcaj ani nie naciągaj złączy ani kabli.
- \* Nie wylewaj cieczy na urządzenie ani jego złącza.
- \* Nie zwieraj urządzenia.
- \* Nie demontuj urządzenia, nie wrzucaj go do ognia ani nie narażaj na działanie wysokich temperatur.
- \* Nie używaj kabla zasilania innego niż dostarczony z kierownicą.
- \* Nie używaj kabla zasilania, jeśli sam kabel lub jego złącza są uszkodzone, pęknięte lub przerwane.
- \* Upewnij się, że kabel zasilania jest właściwie podłączony do gniazda elektrycznego i do złącza znajdującego się z tyłu podstawy kierownicy.
- \* Nie otwieraj urządzenia. W jego wnętrzu nie ma części przeznaczonych do wymiany przez użytkownika. W sprawach serwisowych kontaktuj się z producentem, wskazanym przedstawicielem lub wykwalifikowanym serwisantem.
- \* Korzystaj wyłącznie z dodatków/akcesoriów określonych przez producenta.
- \* W przypadku nietypowego działania kierownicy (na przykład gdy wydobywają się z niej dziwne dźwięki, ciepło lub zapachy) natychmiast przestań jej używać, wyciągnij kabel zasilania z gniazda i odłącz pozostałe kable.
- \* Jeśli nie zamierzasz korzystać z kierownicy przez dłuższy czas, odłącz zasilacz od gniazda.



### **Odpowietzniki**

Pilnuj, aby żaden z odpowietzników w podstawie kierownicy nie był zasłonięty. W celu zapewnienia optymalnej wentylacji przestrzegaj następujących zaleceń:

- \* Ustaw podstawę w odległości co najmniej 10 cm od wszelkich ścian.
- \* Nie umieszczaj podstawy w ciasnych miejscach.
- \* Nie przykrywaj podstawy.
- \* Nie dopuszczaj do gromadzenia się kurzu w odpowietznikach.



**Ze względów bezpieczeństwa zestawu pedałów nie wolno używać w bosych stopach ani samych skarpetach.**

**FIRMA THRUSTMASTER® NIE PONOSI ŻADNEJ ODPOWIEDZIALNOŚCI ZA EWENTUALNE OBRAŻENIA CIAŁA WYNIKŁE Z UŻYWANIA ZESTAWU PEDAŁÓW BEZ OBUWIA.**



### **Ostrzeżenie — ryzyko obrażeń ciała spowodowanych siłowym sprzężeniem zwrotnym i powtarzającymi się ruchami**

Granie przy użyciu kierownicy z siłowym sprzężeniem zwrotnym (Force Feedback) może doprowadzić do bólu mięśni lub stawów. W celu uniknięcia problemów:

- \* Unikaj grania przez długi czas.
- \* Po każdej godzinie gry rób 10–15 minut przerwy.
- \* Jeśli odczuwasz zmęczenie lub ból dłoni, nadgarstków, ramion, stóp lub nóg, przerwij grę, a przed jej ponownym rozpoczęciem odpocznij kilka godzin.



**Ostrzeżenie — ryzyko obrażeń ciała spowodowanych siłowym sprzężeniem zwrotnym i powtarzającymi się ruchami (ciąg dalszy)**

- \* Jeśli po ponownym rozpoczęciu gry opisane powyżej objawy lub ból powrócą, przerwij grę i poradź się lekarza.
- \* Trzymaj kierownicę z dala od dzieci.
- \* Podczas gry zawsze trzymaj obie dłonie we właściwym położeniu na kierownicy bez jej całkowitego puszczenia.
- \* Podczas gry nigdy nie kładź dłoni ani palców pod pedałami ani w pobliżu zestawu pedałów.
- \* Podczas kalibracji i gry nigdy nie przekładaj dłoni ani ramion przez otwory w kierownicy.
- \* Sprawdź, czy podstawa kierownicy jest właściwie zamocowana zgodnie ze wskazówkami podanymi w instrukcji.

**CIĘŻKIE URZĄDZENIE**



Tylko dla użytkowników powyżej 16 roku życia



Uważaj, aby nie upuścić urządzenia na siebie ani inną osobę!

**ZAWSZE**



**NIGDY**



**NIGDY**





**Ostrzeżenie — ryzyko przytrzaśnięcia przez pedały podczas gry**

- \* Trzymaj zestaw pedałów z dala od dzieci.
- \* Podczas gry nigdy nie kładź palców na bokach pedałów ani nie zbliżaj ich do tego miejsca.
- \* Podczas gry nigdy nie kładź palców na tylnej powierzchni podstawy pedałów ani nie zbliżaj ich do tego miejsca.
- \* Podczas gry nigdy nie kładź palców na przedniej powierzchni podstawy pedałów ani nie zbliżaj ich do tego miejsca.

**NIGDY**



**NIGDY**



**NIGDY**



**Ostrzeżenie — ryzyko przytrzaśnięcia przez pedały poza grą**

- \* Przechowuj zestaw pedałów w bezpiecznym miejscu i trzymaj go z dala od dzieci.

## ZAKŁADANIE KIEROWNICY FERRARI 458 ITALIA NA PODSTAWĘ

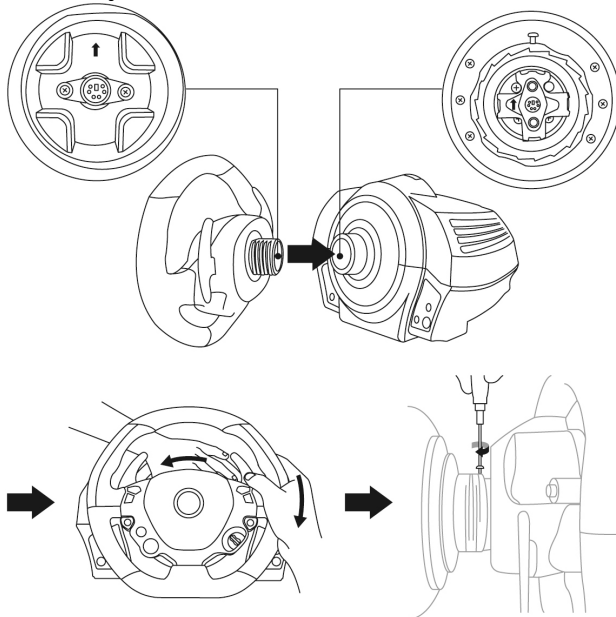
Wyrównaj położenie złączy przy użyciu strzałek:

**Złącze podstawy (1):** strzałka skierowana w górę

**Złącze kierownicy (2):** strzałka skierowana w górę

Po prawidłowym ustawieniu złączy obróć pierścieni mechanizmu Thrustmaster Quick Release (12) przeciwnie do ruchu wskazówek zegara, jednocześnie przytrzymując kierownicę (2).

Następnie maksymalnie dokręć pierścieni. W tym celu przytrzymaj pierścieni i obracaj kierownicę zgodnie z ruchem wskazówek zegara.



Po zamontowaniu kierownicy FERRARI 458 ITALIA obróć ją o 180° (gdy staniesz przodem do kierownicy, logo FERRARI powinno być zwrócone dołem do góry), aby uzyskać dostęp do śrubki mocującej znajdującej się na mechanizmie Thrustmaster Quick Release (12). Przy użyciu dużego śrubokręta krzyżakowego dokręć śrubką mocującą (bez używania nadmiernej siły), obracając ją zgodnie z ruchem wskazówek zegara.



**W trakcie dokręcania śrubki mocującej (przy użyciu śrubokręta krzyżakowego) nie używaj nadmiernej siły!**

**Gdy tylko poczujesz opór, przerwij dokręcanie.**

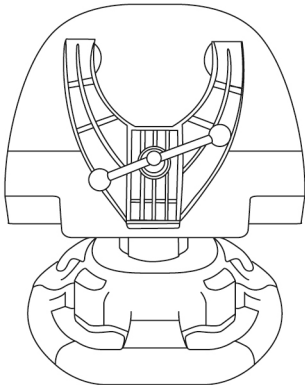


## MOCOWANIE KIEROWNICY

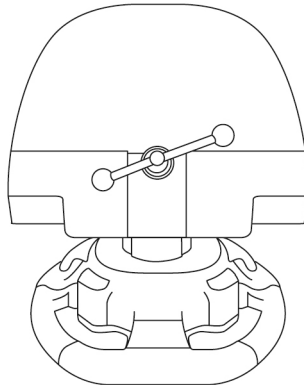
### Mocowanie kierownicy do stołu lub biurka

1. Połóż kierownicę na stole lub innej poziomej, płaskiej i stabilnej powierzchni.
2. Włóż śrubę mocującą (11) w element montażowy (10), a następnie zamocuj urządzenie, wkręcając śrubę przeciwnie do ruchu wskazówek zegara w duży gwintowany otwór (9) znajdujący się pod kierownicą aż do solidnego i stabilnego zamocowania urządzenia.

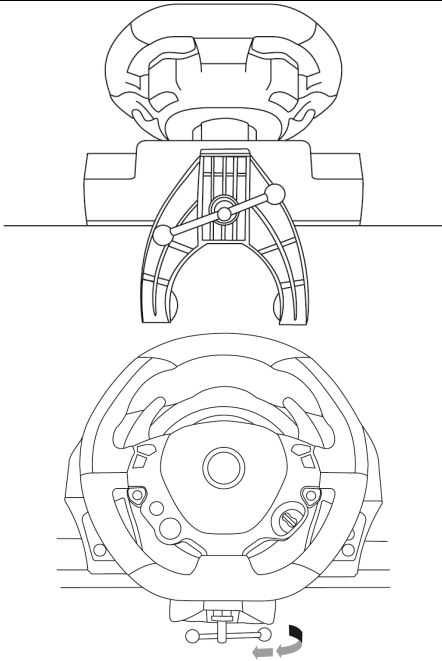
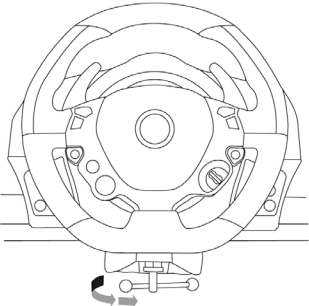
**ZAWSZE**



**NIGDY**



**OSTRZEŻENIE: nie wolno wkręcać samej śruby bez elementu montażowego!  
(Może to spowodować uszkodzenie kierownicy).**

MOCOWANIE/Z DEJMOWANIE	KIERUNEK
<p><b><u>Dokrećanie:</u></b></p> <p><i>Obróć śrubę przeciwnie do ruchu wskazówek zegara</i></p>	
<p><b><u>Odkrećanie:</u></b></p> <p><i>Obróć śrubę zgodnie z ruchem wskazówek zegara</i></p>	

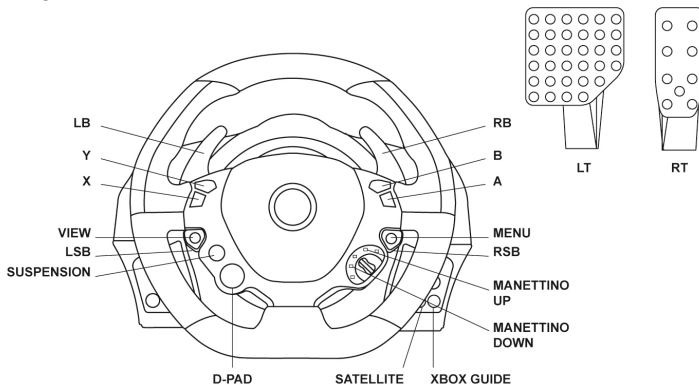
## Mocowanie podstawy kierownicy do kokpitu

1. Umieść podstawę kierownicy na półce kokpitu.
2. Wkręć dwie śruby M6 (do nabycia osobno) przez półkę kokpitu w dwa niewielkie gwintowane otwory znajdujące się pod kierownicą.  
*Ważne: Długość śrub M6 nie powinna przekraczać grubości półki powiększonej o 12 mm. Dłuższe śruby mogą spowodować uszkodzenie elementów wewnętrznych znajdujących się podstawie kierownicy.*
3. W razie potrzeby zamocuj standardowy element montażowy, wkręcając śrubę mocującą w duży gwintowany otwór.

## Mocowanie zestawu pedałów do kokpitu

1. Zamocuj zestaw pedałów, korzystając z niewielkich gwintowanych otworów znajdujących się pod zestawem.
2. Wkręć dwie śruby M6 (do nabycia osobno) przez półkę kokpitu w dwa niewielkie gwintowane otwory znajdujące się pod zestawem pedałów.  
*Ważne: Długość śrub M6 nie powinna przekraczać grubości półki powiększonej o 10 mm. Dłuższe śruby mogą spowodować uszkodzenie elementów wewnętrznych znajdujących się w zestawie pedałów.*

## MAPOWANIE



W chwili wprowadzenia urządzenia na konsolę Xbox One różne przyciski czynności na kierownicy będą mieć te same funkcje w grze.

W niedalekiej przyszłości przez wykonanie automatycznej aktualizacji gier (możliwej, gdy konsola ma połączenie z Internetem) oraz aktualizacji oprogramowania sprzętowego kierownicy będzie można usunąć te zdublowane funkcje i zwiększyć dostępność poszczególnych przycisków.

## AKTUALIZACJA OPROGRAMOWANIA SPRZĘTOWEGO KIEROWNICY

Oprogramowanie zawarte w podstawie kierownicy można zaktualizować do nowszej wersji, zawierającej rozszerzenia różnych funkcji.

Aby wyświetlić wersję oprogramowania sprzętowego, z której obecnie korzysta kierownica, i w razie potrzeby ją zaktualizować, na komputerze wejdź na stronę <http://support.thrustmaster.com>. Kliknij **Racing Wheels / TX Racing Wheel**, wybierz **Firmware**, a następnie postępuj zgodnie z instrukcją pobierania i instalacji.

## KONFIGUROWANIE KIEROWNICY POD KĄTEM KONSOLI XBOX ONE

1. Podłącz zestaw pedałów do złącza (17) znajdującego się w tyłu podstawy kierownicy.
2. Podłącz kabel zasilania do złącza (14) znajdującego się w tyłu podstawy kierownicy.
3. Podłącz kabel zasilania do gniazda elektrycznego o odpowiednim napięciu.



**Więcej informacji na ten temat można znaleźć w sekcji PODŁĄCZANIE KIEROWNICY DO SIECI ZASILAJĄCEJ na 3 stronie niniejszej instrukcji.**

4. Podłącz złącze USB kierownicy (15) do jednego z portów USB konsoli.

Teraz możesz zacząć wyścigi!

## AUTOMATYCZNA KALIBRACJA KIEROWNICY I ZESTAWU PEDAŁÓW

Kierownica kalibruje się automatycznie po jej podłączeniu do sieci elektrycznej oraz podłączeniu złącza USB kierownicy do konsoli.

Podczas tej operacji kierownica obraca się szybko w lewo i w prawo (łącznie o 900 stopni), a następnie zatrzymuje się w położeniu środkowym.



### **OSTRZEŻENIE:**

**Podczas automatycznej kalibracji nie wolno dotykać kierownicy!  
(Może to doprowadzić do błędów kalibracji i/lub obrażeń ciała).**

## AUTOMATYCZNA KALIBRACJA ZESTAWU PEDAŁÓW

Zestawu pedałów nie wolno podłączać do podstawy kierownicy (ani odłączać go od podstawy), gdy kierownica jest podłączona do konsoli ani w trakcie gry, ponieważ może to doprowadzić do błędów kalibracji.

Zestaw pedałów zawsze podłączaj przed podłączeniem kierownicy do konsoli.

Po zakończeniu kalibracji kierownicy i uruchomieniu gry pedały kalibrują się automatycznie po ich kilkukrotnym naciśnięciu.



### **OSTRZEŻENIE:**

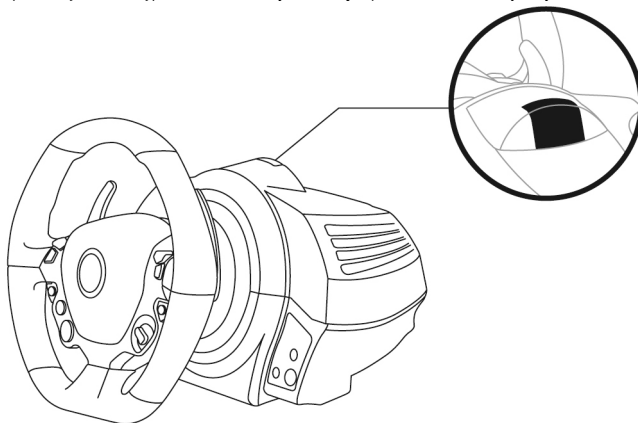
**Nie wolno naciskać pedałów  
podczas automatycznej kalibracji kierownicy ani w trakcie ładowania gry!  
(Może to doprowadzić do błędów kalibracji).**

Jeśli kierownica i zestaw pedałów nie działają prawidłowo lub wydają się niewłaściwie skalibrowane:

Wyłącz konsolę, całkowicie odłącz kierownicę, podłącz ponownie wszystkie kable (w tym kabel zasilania i zestaw pedałów), a następnie uruchom ponownie konsolę oraz grę.

## UKŁAD PAROWANIA KONTROLERA (13)

Aby zapewnić prawidłowe wykrywanie kierownicy, jej układ parowania kontrolera (*umieszczony w górnej części podstawy kierownicy*) musi zawsze znajdować się w polu widzenia kamery czujnika KINECT™.



## WEWNĘTRZNY CZUJNIK TEMPERATURY

Ze względów bezpieczeństwa podstawa kierownicy jest wyposażona w czujnik temperatury.

Jeśli urządzenie nadmiernie się nagrzeje, kierownica może nagle przestać działać.

W takim przypadku:

- Odłącz kabel zasilania i złącze USB urządzenia.
- Zaczekaj, aż podstawa kierownicy całkowicie się ochłodzi.
- Następnie ponownie podłącz urządzenie.

## PRZYCISK I KONTROLKA MODE (6)

### Przycisk MODE do zestawu pedałów

Zestaw pedałów dołączony do kierownicy TX Racing Wheel zawiera 2 pedały.

W trakcie korzystania z zestawu pedałów jego kontrolka powinna świecić na czerwono. W przeciwnym razie pedał przyspieszenia nie będzie działał prawidłowo.

Kierownica TX Racing Wheel jest również zgodna z zestawami pedałów Thrustmaster zawierającymi 3 pedały (sprzedawanymi oddzielnie po planowanym wprowadzeniu na rynek). Zestawy te umożliwiają elektroniczną zamianę pedałów przyspieszenia i sprzęgła.

W tym celu należy nacisnąć przycisk MODE (6) i przytrzymać go przez 2 sekundy.

Informacja o tym, czy pedały zostały zamienione miejscami, jest przechowywana w wewnętrznej pamięci kierownicy.

PEDAŁY PRZYSPIESZENIA I SPRZĘGŁA	Kolor kontrolki MODE (6)
NORMALNE	CZERWONY
ZAMIENIONE	ZIELONY

### Inne wskazówki dotyczące przycisku MODE

Więcej informacji na temat przycisku i kontrolki MODE znajdziesz na stronie <http://support.thrustmaster.com>. Kliknij Racing Wheels / TX Racing Wheel, a następnie wybierz Manual lub FAQ.

### PLIKI POMOCY I CZĘSTO ZADAWANE PYTANIA (niezamieszczone w niniejszej instrukcji)

Wejść na stronę <http://support.thrustmaster.com>. Kliknij Racing Wheels / TX Racing Wheel, a następnie wybierz Manual lub FAQ.

## INFORMACJE DOTYCZĄCE GWARANCJI DLA KLIENTA

Firma Guillemot Corporation S.A. z siedzibą pod adresem Place du Granier, B.P. 97143, 35571 Chantepie, Francja („Guillemot”) udziela klientowi obowiązującej na całym świecie gwarancji, że niniejszy produkt Thrustmaster będzie wolny od wad materiałowych i produkcyjnych przez okres gwarancji równy limitowi czasu, w którym klient może występować z roszczeniami z tytułu wad niniejszego produktu. W krajach Unii Europejskiej jest to okres dwóch (2) lat od dostarczenia produktu Thrustmaster. W innych krajach okres gwarancji jest równy limitowi czasu, w którym klient może występować z roszczeniami z tytułu wad produktu Thrustmaster zgodnie z przepisami obowiązującymi w kraju, w którym klient mieszkał w dniu zakupu produktu Thrustmaster. (Jeśli przepisy danego kraju nie przewidują występowania z takimi roszczeniami, okres gwarancji będzie wynosił jeden (1) rok od pierwotnej daty zakupu produktu Thrustmaster).

Jeśli w okresie gwarancji wystąpią objawy mogące świadczyć o wadzie produktu, należy niezwłocznie skontaktować się z działem pomocy technicznej, który wskaże dalszy sposób postępowania. W razie potwierdzenia wady produkt należy zwrócić w punkcie zakupu (lub innym miejscu wskazanym przez dział pomocy technicznej).

W ramach niniejszej gwarancji wadliwy produkt zostanie wymieniony lub przywrócony do stanu sprawności użytkowej, zgodnie z decyzją działu pomocy technicznej. Jeśli w okresie gwarancji produkt Thrustmaster zostanie poddany czynnościom mającym na celu przywrócenie go do stanu użytkowego, dowolny okres co najmniej siedmiu (7) dni, podczas których produkt nie jest użytkowany, zostanie dodany do pozostałego okresu gwarancji (okres ten liczy się od dnia, w którym klient poprosi o interwencję, lub od dnia, w którym dany produkt zostanie udostępniony celem przywrócenia do stanu użytkowego, jeśli data udostępnienia celem przywrócenia do stanu użytkowego następuje po dacie prośby o interwencję). Jeśli zezwala na to obowiązujące prawo, całkowita odpowiedzialność firmy Guillemot i jej podmiotów zależnych (łącznie z odpowiedzialnością za szkody wtórne) ogranicza się do przywrócenia do stanu użytkowego lub wymiany produktu Thrustmaster. Jeśli zezwala na to obowiązujące prawo, firma Guillemot wyłącza wszelkie gwarancje pokupności i przydatności do określonego celu.

Niniejsza gwarancja nie obowiązuje: (1) w przypadku, gdy produkt został zmodyfikowany, otwarty, zmieniony albo uszkodzony na skutek nieodpowiedniego lub nadmiernego użytkowania, niedbałości, wypadku, normalnego zużycia lub z innego powodu niezwiązanego z wadą materiałową ani produkcyjną (w tym między innymi z powodu połączenia produktu Thrustmaster z nieodpowiednim elementem, w tym w szczególności z zasilaczem, akumulatorem, ładowarką lub jakimkolwiek innym elementem niedostarczonym przez firmę Guillemot dla tego produktu); (2) w przypadku używania produktu w sposób inny niż użytek domowy, w tym do celów zawodowych lub komercyjnych (na przykład w salonach gier albo do prowadzenia szkoleń lub zawodów); (3) w razie nieprzestrzegania instrukcji podanych przez dział pomocy technicznej; (4) w odniesieniu do oprogramowania, jako że oprogramowanie to jest objęte odrębną szczegółową gwarancją; (5) w odniesieniu do materiałów eksploatacyjnych (elementów wymienianych w czasie eksploatacji produktu, na przykład baterii jednorazowych, muszli/nakładek na uszy do zestawów słuchawkowych lub słuchawek); (6) w odniesieniu do akcesoriów (na przykład kabli, pokrowców, etui, torebek, pasków na rękę); (7) w przypadku sprzedaży produktu na aukcji publicznej.

Niniejsza gwarancja nie podlega przeniesieniu.

Niniejsza gwarancja nie wpływa na prawa klienta wynikające z przepisów dotyczących sprzedaży dóbr konsumenckich w kraju klienta.

### **Dodatkowe postanowienia gwarancyjne**

W okresie gwarancji firma Guillemot zasadniczo nie udostępnia jakichkolwiek części zamiennych, ponieważ jedynym podmiotem upoważnionym do otwarcia jakiegokolwiek produktu Thrustmaster i/lub przywrócenia go do stanu użytkowego jest dział pomocy technicznej (oprócz ewentualnych procedur przywracania produktu do stanu użytkowego, o wykonanie których dział pomocy technicznej może poprosić klienta przez przekazanie pisemnych instrukcji — np. ze względu na prostotę i jawność procesu przywracania do stanu użytkowego — oraz, w razie potrzeby, przez udostępnienie klientowi wymaganych części zamiennych).

Ze względu na realizowane cykle innowacji oraz konieczność zapewnienia ochrony swojej specjalistycznej wiedzy i tajemnic handlowych firma Guillemot zasadniczo nie udostępnia powiadomień dotyczących przywracania do stanu użytkowego ani części zamiennych w przypadku produktów Thrustmaster, których okres gwarancji upłynął.

### **Odpowiedzialność**

Jeśli zezwala na to obowiązujące prawo, firma Guillemot Corporation S.A. („Guillemot”) i jej podmioty zależne nie ponoszą żadnej odpowiedzialności za szkody spowodowane przez co najmniej jeden z następujących czynników: (1) modyfikację lub otwarcie produktu bądź wprowadzenie w nim zmian; (2) nieprzestrzeganie instrukcji montażu; (3) nieodpowiednie lub nadmierne użytkowanie, niedbałość, wypadek (na przykład uderzenie); (4) normalne zużycie; (5) używanie produktu w sposób inny niż użytek domowy, w tym do celów zawodowych lub komercyjnych (na przykład w salonach gier albo do prowadzenia szkoleń lub zawodów). Jeśli zezwala na to obowiązujące prawo, firma Guillemot i jej podmioty zależne nie ponoszą żadnej odpowiedzialności za szkody niezwiązane z wadą materiałową lub produkcyjną produktu (w tym między innymi za szkody spowodowane bezpośrednio lub pośrednio przez jakiegokolwiek oprogramowanie lub na skutek połączenia produktu Thrustmaster z nieodpowiednim elementem, w tym w szczególności z zasilaczem, akumulatorem, ładowarką lub jakimkolwiek innym elementem niedostarczonym przez firmę Guillemot dla tego produktu).

**THRUSTMASTER®**

**WSPARCIE TECHNICZNE**

<http://support.thrustmaster.com>





## PRAWA AUTORSKIE

© 2017 Guillemot Corporation S.A. Wszelkie prawa zastrzeżone. Thrustmaster® jest zastrzeżonym znakiem towarowym firmy Guillemot Corporation S.A. Ferrari® jest zastrzeżonym znakiem towarowym firmy Ferrari Idea S.p.A. Wszystkie inne znaki towarowe stanowią własność odpowiednich podmiotów. Ilustracje nie są wiążące prawnie. Treść, wzory i dane techniczne przedstawione w instrukcji mogą ulec zmianie bez powiadomienia i mogą różnić się w zależności od kraju. Wyprodukowano w Chinach.

## ZALECENIE DOTYCZĄCE OCHRONY ŚRODOWISKA



Na terenie Unii Europejskiej: gdy okres przydatności produktu do eksploatacji dobiegnie końca, produktu nie należy pozbywać się wraz ze zwykłymi odpadami z gospodarstwa domowego, ale oddać do recyklingu w punkcie zbiórki zużytego sprzętu elektrycznego i elektronicznego. Potwierdza to symbol znajdujący się na produkcie, w instrukcji obsługi lub na opakowaniu.

Zależnie od swoich właściwości materiały zawarte w produkcie mogą nadawać się do recyklingu. Dzięki recyklingowi i innym formom utylizacji zużytych urządzeń elektrycznych i elektronicznych klient może w znacznym stopniu przyczynić się do

ochrony środowiska. Aby uzyskać informacje o najbliższych punktach zbiórki odpadów, należy skontaktować z miejscowymi władzami.

We wszystkich innych krajach: należy przestrzegać miejscowych przepisów dotyczących recyklingu sprzętu elektrycznego i elektronicznego.

Niniejsze informacje należy zachować. Kolorystyka i elementy ozdobne mogą różnić się od przedstawionych. Przed korzystaniem z produktu należy zdjąć z niego plastikowe elementy mocujące oraz naklejki.

[www.thrustmaster.com](http://www.thrustmaster.com)

*\*Dotyczy wyłącznie UE i Turcji*

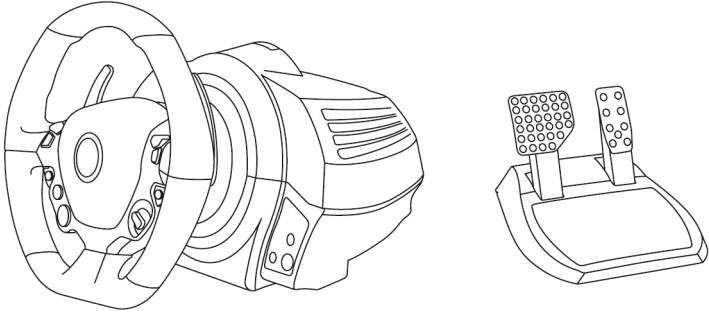


# TX Racing Wheel

FERRARI 458 ITALIA EDITION

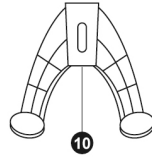
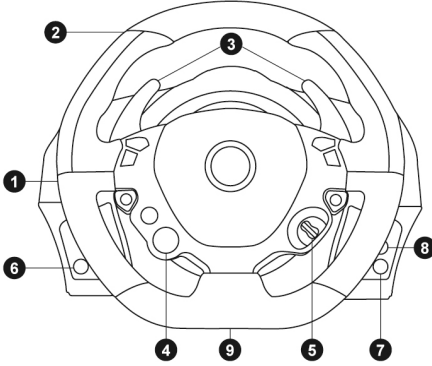
خاصة بـ XBOX ONE

دليل المستخدم



## تنبيه:

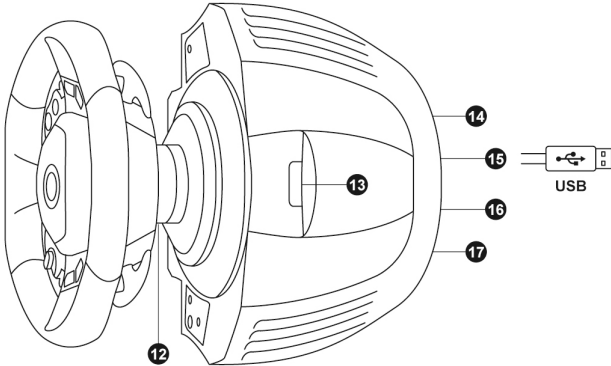
للتأكد من أن عجلة السباق TX تعمل بشكل صحيح مع ألعاب XBOX ONE، قد يُطلب منك تثبيت التحديثات التلقائية للألعاب (تتوفر عند توصيل وحدة التحكم في الألعاب بالإنترنت).



11

- 7 زر Xbox Guide  
8 مصباح مؤشر أبيض  
9 ثقب ملولب كبير (لأداة التركيب وبرغي الربط)  
10 أداة الربط  
11 برغي تثبيت معدني

- 1 قاعدة عجلة السباق  
2 عجلة السباق  
3 ذارعي تغيير سرعة بشكل متتالي (لأعلى ولأسفل)  
4 لوحة رقمية متعددة الاتجاهات (Engine Start)  
5 Manettino (موضعين)  
6 زر MODE + ضوء مؤشر أحمر/أخضر


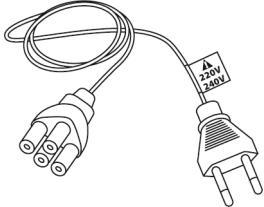


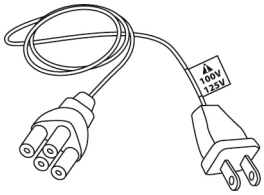


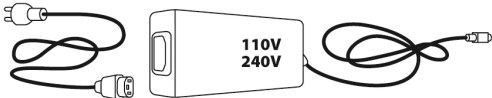


- 15 كابل وموصل USB لعجلة السباق  
16 موصل صندوق التروس  
(يباع بشكل منفصل، إصدار قادم)  
17 موصل مجموعة الدواسمة

- 12 Thrustmaster Quick Release  
13 اقتران وحدة التحكم (لاكتشاف Kinect™)  
14 موصل الطاقة الرئيسية (النوع (أ) أو (ب))  
(يختلف من بلد لآخر)

# توصيل عجلة السباق بمصدر الطاقة الرئيسي = يرجى القراءة قبل المتابعة!

يختلف مصدر طاقة عجلة السباق الخاصة بك طبقاً للبلد التي اشتريتها منها جهازك. يمكن أن يكون مصدر الطاقة الرئيسي:

 	<p>داخلي، مع: وحدة مصدر طاقة توجد مباشرة في قاعدة عجلة السباق، بموصل من النوع (أ) كابل مصدر طاقة 240-220 فولت من النوع (أ) = متوافق مع مصدر كهربائي 240-220 فولت من النوع (أ) فقط.</p> <p><b>⚠️</b> لا تقم بتوصيل كابل 240-220 فولت بمنفذ طاقة 130-100 فولت مطلقاً! لا تقم بتوصيل هذا الكابل بمهايئ طاقة لمصدر الطاقة الرئيسي!</p> 
 	<p>داخلي، مع: * وحدة مصدر طاقة توجد مباشرة في قاعدة عجلة السباق، بموصل من النوع (أ) * كابل مصدر طاقة 125-100 فولت من النوع (أ) = متوافق مع مصدر كهربائي 125-100 فولت من النوع (أ) فقط.</p> <p><b>⚠️</b> لا تقم بتوصيل كابل 125-100 فولت بمنفذ طاقة 240-220 فولت مطلقاً! لا تقم بتوصيل هذا الكابل بمهايئ طاقة لمصدر الطاقة الرئيسي!</p> 
<p>هام: إذا لم تكن تعلم الجهد المدعوم في المنطقة التي تستخدم عجلة السباق فيها، فيرجى الرجوع إلى الموفر المحلي للتيل الكهربائي.</p>	
	<p>خارجي، مع: * وحدة مصدر طاقة توجد مباشرة على قاعدة عجلة السباق، بموصل من النوع (ب) * كابل مصدر طاقة رئيسية = متوافق مع كافة أنواع الجهد الكهربائي، 240-110 فولت .</p> 

## تحذير

قبل استخدام هذا المنتج، يرجى قراءة هذا المستند بعناية والاحتفاظ به في مكان آمن للرجوع إليه فيما بعد.



### تحذير – صدمة كهربائية

يتم تخزين المنتج في مكان جاف مع عدم تعريضه للآتربة أو أشعة الشمس.

\* التزم باتجاه التوصيل.

\* لا تقم بجدل الموصلات والكابلات أو سحبها.

\* لا تقم بسكب أي سائل على المنتج أو موصلاته.

\* لا تقم بعمل قصر في دائرة المنتج.

\* لا تقم بفك المنتج؛ ولا تلقه في لهب ولا تعرضه لدرجات حرارة مرتفعة.

\* لا تستخدم كابل مصدر طاقة غير المرفق مع عجلة السباق الخاصة بك.

\* لا تستخدم كابل مصدر طاقة رئيسية في حالة تلف الكابل أو الموصلات أو شقه أو كسره.

\* تأكد من أن كابل الطاقة الرئيسية موصل في منفذ الطاقة وأن الموصل في الجهة الخلفية من قاعدة عجلة السباق.

\* لا تحاول فتحه. لا توجد أجزاء قابلة للاستبدال بواسطة المستخدم بالداخل. عند الحاجة إلى صيانة، يرجى الرجوع إلى الشركة المصنعة أو وكالة متخصصة أو فني مؤهل.

\* لا تستخدم إلا المرقات/الكمايات المحددة بواسطة الشركة المصنعة.

إذا كانت عجلة القيادة لا تعمل بشكل صحيح (تصدر أصواتاً أو حرارة أو رائحة غير عادية)، فتوقف عن استخدامها على الفور، وقم بفصل كابل الطاقة من المنفذ وقم بفصل الكابلات الأخرى.

\* إذا لم تكن ستستخدم عجلة القيادة لمدة طويلة، فقم بفصل مهائلي الطاقة الرئيسية من منفذ الحائط.



### فتحات الهواء

تأكد من عدم إعاقة أي من فتحات الهواء الموجودة على قاعدة عجلة القيادة. للحصول على تهبوية مثلى، يرجى الالتزام بالنقاط الواردة أدناه:

\* ضع القاعدة على مسافة لا تقل عن 10 سم من أي حائط.

\* لا تضع القاعدة في أي أماكن ضيقة.

\* لا تقم بتغطية القاعدة.

\* لا تسمح بتراكم الأتربة على فتحات التهبوية.



لأسباب تتعلق بالسلامة، لا تستخدم مجموعة الدواسة بـقدم عارية أو أثناء ارتداء

جوارب فقط.

لا تتحمل **THRUSTMASTER®** أي مسؤولية في حالة وقوع إصابات ناتجة عن

استخدام مجموعة الدواسة بدون حذاء.



### تحذير – الإصابات الناتجة عن قوة رد الفعل والحركات المتكررة

قد يتسبب اللعب باستخدام رد فعل قوي لعجلة توجيه في حدوث ألم في العضلات أو المفاصل. لتجنب أي مشكلات:

\* تجنب اللعب لفترات طويلة.

\* ادخل في فترة راحة من 10 إلى 15 دقيقة بعد كل ساعة من اللعب.

\* إذا شعرت بأي تعب أو ألم في اليدين أو المعصمين أو الذراعين أو القدم أو الرجلين، فتوقف عن اللعب واسترح بضع ساعات

قبل بدء اللعب مرة أخرى.

**تحذير - الإصابات الناتجة عن قوة رد الفعل والحركات المتكررة (مجموعة)**



- \* إذ استمرت الأعراض أو الألم المشار إليه أعلاه عند بدء اللعب مرة أخرى، فتوقف عن اللعب واستشر طبيبك.
- \* تحفظ بعيدًا عن متناول أيدي الأطفال.
- \* أثناء اللعب، اترك كلتا يديك دائمًا في موضع صحيح على عجلة القيادة دون تمريرها منها بشكل كامل.
- \* أثناء اللعب، لا تضع يديك أو أصابعك أسفل الدواسات أو في أي مكان بالقرب من مجموعة الدواسات.
- \* أثناء المعالجة واللعب، لا تمرر يدك أو ذراعك من خلال الفتحات الموجودة في عجلة السباق.
- \* تحقق من تثبيت قاعدة عجلة القيادة بعناية حسب التعليمات الموجودة في الدليل.

**منتج ثقيل الوزن**



تستخدم بواسطة مستخدمين لا يقل سنهم عن 16 عام

احرص على عدم إسقاط المنتج على نفسك أو على غيرك!

دائمًا

مطلقًا

مطلقًا



**تحذير – خطر الضغط الشديد على مجموعة الدواسة عند اللعب**



- \* احتفظ بمجموعة الدواسة بعيدًا عن متناول الأطفال.
- \* عند اللعب، لا تضع أصابعك على جوانب الدواسات أو في أي مكان قريب منها.
- \* عند اللعب، لا تضع أصابعك على القاعدة الخلفية للدواسات أو في أي مكان قريب منها.
- \* عند اللعب، لا تضع أصابعك على القاعدة الأمامية للدواسات أو في أي مكان قريب منها.

مطلقًا



مطلقًا



مطلقًا



**تحذير – خطر الضغط الشديد على مجموعة الدواسة عند عدم اللعب**



- \* قم بتخزين مجموعة الدواسة في مكان آمن، واحتفظ بها بعيدًا عن متناول الأطفال.

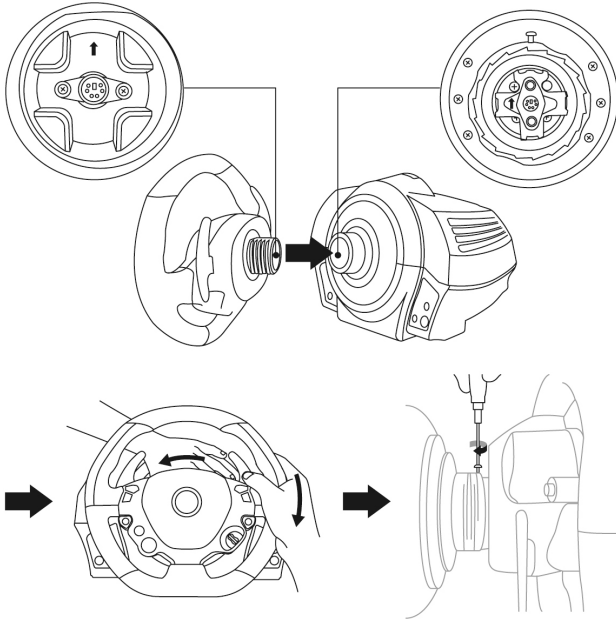
## توصيل عجلة السباق FERRARI 458 ITALIA بفاعتها

قم بمحاذاة مواقع الموصل باستخدام الأسهم:

موصل القاعدة (1): سهم يشير لأعلى

موصل عجلة السباق (2): سهم يشير لأعلى

بمجرد تحديد موضع الموصلات بنجاح، قم بتدوير حلقة الجهاز (12) Thrustmaster Quick Release عكس اتجاه عقارب الساعة، مع تثبيت عجلة السباق (2) في موضعها. ثم قم بربط الحلقة إلى أقصى مدى ممكن؛ للقيام بذلك، قم بتثبيت الحلقة في موضعها وقم بتدوير عجلة السباق في اتجاه عقارب الساعة.



بمجرد تركيب عجلة السباق FERRARI 458 ITALIA، قم بتدويرها 180 درجة (عندما تكون في مواجهة عجلة السباق، يجب أن يتقلب شعار FERRARI رأساً على عقب) للوصول إلى برغي التركيب الصغير الذي يوجد على الجهاز (12) Thrustmaster Quick Release. استخدم مفك متصالب كبير لربط برغي التركيب الصغير (لا تستخدم قوة مفرطة)، ويكون الربط في اتجاه عقارب الساعة.



لا تستخدم قوة مفرطة عند ربط برغي التركيب الصغير (باستخدام مفك متصالب)!  
توقف عن تدوير البرغي بمجرد أن تشعر بشيء من المقاومة.

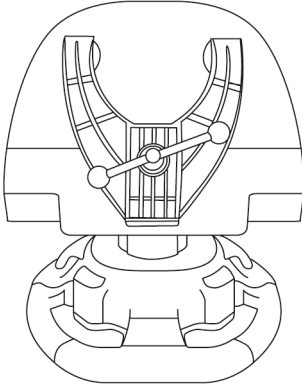


## تركيب عجلة السباق

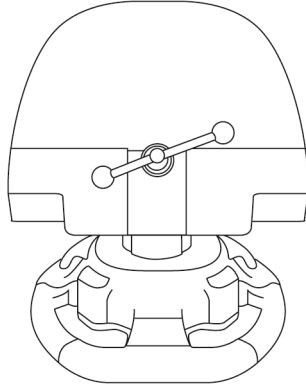
### تركيب عجلة السباق على طاولة أو سطح مكتب

1. ضع عجلة السباق على طاولة أو أي سطح آخر أفقي ومستوي ومتمرن.
2. أدخل برغي التثبيت (11) في أداة الربط (10) ثم قم بإحكام الجهاز عن طريق تدوير البرغي في عكس اتجاه عقارب الساعة، بحيث يدخل في الثقب الكبير المولوب (9) الموجود أسفل عجلة السباق، حتى يستقر الجهاز بالكامل.

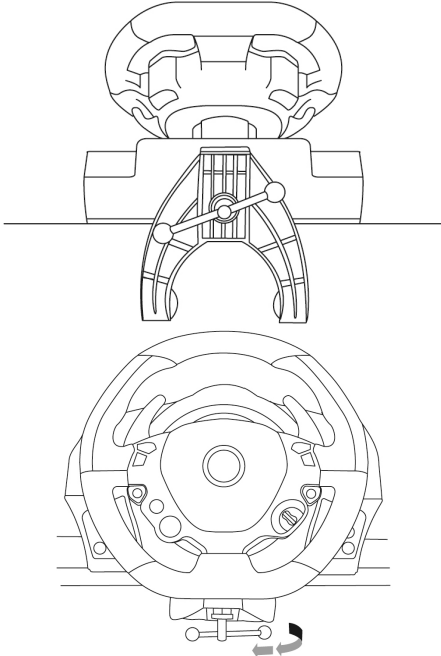
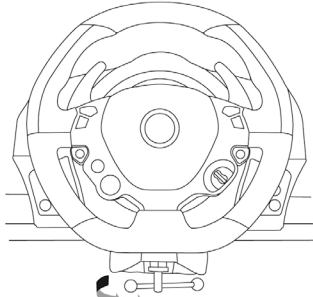
دائماً



مطلقاً



**تحذير:** لا تقم مطلقاً بربط البرغي بمفرده، دون أداة الربط! (قد يؤدي ذلك إلى تلف عجلة القيادة).

التركيب / الإزالة	الاتجاه
<p><b>للربط:</b></p> <p>تدوير البرغي عكس اتجاه عقارب الساعة</p>	
<p><b>للفك:</b></p> <p>تدوير البرغي في اتجاه عقارب الساعة</p>	

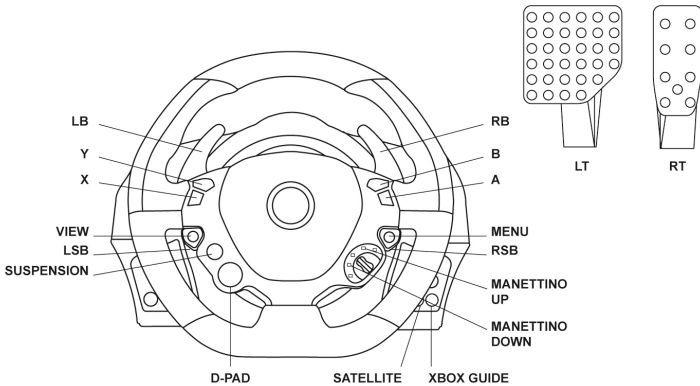
## تركيب قاعدة عجلة السباق في مقصورة

1. ضع قاعدة عجلة السباق على رف المقصورة.
2. أدخل برغيين M6 (غير مضمنين) من خلال رف المقصورة، ثم أدخلهم في الثقبين الصغيرين الملولبين الموجودين أسفل عجلة السباق.  
هام: يجب ألا يتجاوز طول البرغيين M6 سمك الرف + 12 مم؛ حيث قد يؤدي استخدام براغي أطول إلى حدوث تلف في المكونات الداخلية الموجودة في قاعدة عجلة السباق.
3. إذا لزم الأمر، قم بربط أداة التركيب القياسية عن طريق إدخال برغي التثبيت في الثقب الكبير الملولب.

## تركيب مجموعة الدواسة في مقصورة

1. قم بتركيب مجموعة الدواسة باستخدام الثقوب الصغيرة الملولبة الموجودة أسفلها.
2. أدخل برغيين M6 (غير مضمنين) من خلال رف المقصورة، ثم أدخلهم في الثقبين الصغيرين الملولبين الموجودين أسفل مجموعة الدواسة.  
هام: يجب ألا يتجاوز طول البرغيين M6 سمك الرف + 10 مم؛ حيث قد يؤدي استخدام براغي أطول إلى حدوث تلف في المكونات الداخلية الموجودة في مجموعة الدواسة.

## التخطيط



في بداية تشغيل المنتج على Xbox One، سيكون لبعض الأزرار المختلفة على العجلة ميزات متطابقة في اللعبة.


في المستقبل القريب، سيؤدي التحديث التلقائي لألعابك (ستتوفر التحديثات التلقائية إذا تم توصيل وحدة التحكم الخاصة بك بالإنترنت) وتحديث البرنامج الثابت لعجلة السباق الخاصة بك إلى تمكينك من إزالة هذه الميزات المكررة وزيادة عدد الأزرار الفردية.

## ترقية البرنامج الثابت لعجلة السباق الخاصة بك

يمكن ترقية البرنامج الثابت المضمن في قاعدة عجلة السباق الخاصة بك إلى إصدار أحدث يوفر تحسينات للمنتج.

لعرض إصدار البرنامج الثابت الموجود على عجلة السباق الخاصة بك حاليًا وتحديثه إذا لزم الأمر: على الكمبيوتر، تفضل بزيارة الموقع <http://support.thrustmaster.com>. انقر فوق **TX Racing < Racing Wheels**، ثم حدد **Firmware** واتبع التعليمات التي تصف إجراء التنزيل والتثبيت.

## إعداد عجلة السباق الخاصة بك لـ XBOX ONE

1. قم بتوصيل مجموعة الدواسة بالموصل (17) الموجود خلف قاعدة عجلة السباق.
2. قم بتوصيل كابل مصدر الطاقة بالموصل (14) الموجود خلف قاعدة عجلة السباق.
3. قم بتوصيل كابل مصدر الطاقة بمنفذ رئيسي بمواصفات جهد مناسبة.  
**للوصول على مزيد من المعلومات، يرجى الرجوع إلى القسم توصيل عجلة السباق بمصدر الطاقة الرئيسي، في الصفحة 3 من هذا الدليل.** 
4. قم بتوصيل موصل USB الخاصة بعجلة السباق (15) بأحد منافذ USB لوحدة التحكم.

أنت الآن مستعد للسباق!

## المعايرة التلقائية لعجلة السباق ومجموعة الدواسة

تعمل عجلة السباق على إجراء معايرة ذاتية تلقائيًا عند توصيل عجلة السباق بمصدر الطاقة الرئيسية وموصل USB لعجلة السباق بوحدة التحكم. خلال هذه المرحلة، ستدور عجلة السباق بسرعة باتجاه اليمين واليسار، وتغطية زاوية 900 درجة قبل التوقف في المنتصف.



**تحذير:**

لا تقم مطلقًا بلمس عجلة السباق أثناء مرحلة المعايرة الذاتية!  
**(قد يتسبب ذلك في إجراء معايرة غير صحيحة و/أو إصابات شخصية).**

## المعايرة التلقائية لمجموعة الدواسة

لا تقم مطلقًا بتوصيل مجموعة الدواسة بقاعدة عجلة السباق (أو فصلها من القاعدة) عند توصيلها بوحدة التحكم أثناء اللعب (قد يؤدي ذلك إلى إجراء معايرة غير صحيحة).  
قم دائمًا بتوصيل مجموعة الدواسة قبل توصيل عجلة السباق بوحدة التحكم.  
بمجرد إتمام معايرة عجلة السباق وبدء اللعبة، يتم إجراء معايرة الدواسة تلقائيًا بعد الضغط عليها بضع مرات.



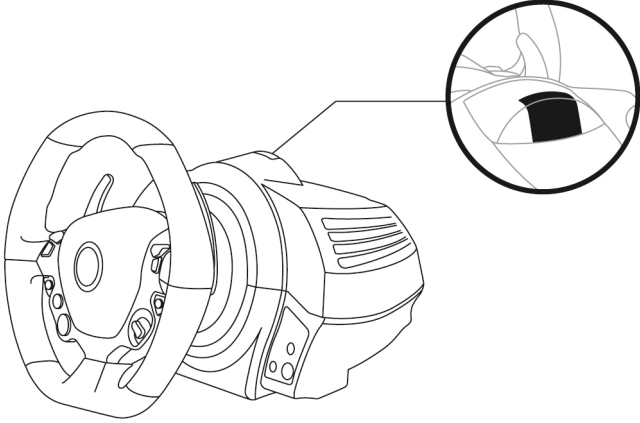
**تحذير:**

لا تضغط مطلقًا على الدواسة  
خلال مرحلة المعايرة الذاتية لعجلة السباق أو أثناء تحميل اللعبة!  
**(قد يتسبب ذلك في إجراء معايرة غير صحيحة)**

إذا لم تعمل عجلة السباق ومجموعة الدواسة بشكل صحيح، أو إذا بدا أن المعايير غير صحيحة:  
قم بإيقاف تشغيل وحدة التحكم الخاصة بك، و قم بفصل عجلة السباق بالكامل و قم بإعادة توصيل كافة الكابلات (باستخدام كابل مصدر الطاقة الرئيسية ومجموعة الدواسة)، ثم قم بإعادة تشغيل وحدة التحكم واللعبية الخاصة بك.

### (13) اقتران وحدة التحكم

للتأكد من الاتجاه الصحيح لعجلة السباق الخاصة بك، فإن اقتران وحدة التحكم الخاصة بالجهاز (يوجد في القسم العلوي من قاعدة عجلة السباق) يجب أن تبقى دائمًا في مجال رؤية كاميرا KINECT™.



- مستشعر الحرارة الداخلية  
لأسباب تتعلق بالسلامة، توفر قاعدة عجلة السباق ميزة مستشعر درجة حرارة.  
إذا ارتفعت درجة حرارة الجهاز للغاية، فسيتم إيقاف تشغيل عجلة السباق فجأة.  
في هذه الحالة:  
- قم بفك كابل مصدر الطاقة الرئيسية وموصل USB الخاص بالجهاز.  
- انتظر حتى تبرد قاعدة عجلة السباق بالكامل.  
ثم قم بإعادة توصيل الجهاز.

## زر MODE ومصباح المؤشر (6)

### زر MODE لمجموعة الدواسة

توفر مجموعة الدواسة المرفقة مع عجلة السباق TX دواستين. عند استخدام مجموعة الدواسة هذه، تأكد من بقاء مصباح المؤشر باللون الأحمر، وإلا فلن تعمل دواسة السرعة بشكل صحيح.

كما أن عجلة سباق TX متوافقة مع مجموعة دواسة Thrustmaster التي توفر 3 دواسات (تباع بشكل منفصل؛ إصدار قادم)؛ حيث يمكنك ذلك من التبديل الإلكتروني لدواسة السرعة والقباض. للقيام بذلك، ما عليك إلا الضغط على الزر MODE (6) لمدة ثانيتين. تعمل الذاكرة الداخلية لعجلة السباق على تخزين ما إذا كان يتم التبديل بين الدواسات أم لا.

لون مصباح مؤشر MODE (6)	دواستي السرعة والقباض
أحمر	عادي
أخضر	إمكانية التبديل

### تلميحات أخرى حول الزر MODE

لمعرفة المزيد حول زر MODE ومصباح المؤشر، يرجى الانتقال إلى <http://support.thrustmaster.com>. انقر فوق **Racing Wheels < TX Racing Wheel**، ثم حدد **Manual** أو **FAQ**.

### ملفات التعليمات والأسئلة المتداولة (لم تتم الإشارة إليها في هذا الدليل)

الرجاء زيارة الموقع <http://support.thrustmaster.com>. انقر فوق **TX Racing < Racing Wheels**، ثم حدد **Manual** أو **FAQ**.

## معلومات ضمان المستهلك

تضمن شركة Guillemot Corporation S.A، العالمية (المشار إليها فيما بعد باسم "Guillemot") ومقرها الرئيسي في Place du Granier, B.P. 97143, 35571 Chantepie, France، للمستهلك أن يكون منتج Thrustmaster هذا خاليًا من عيوب المواد وعيوب التصنيع، طوال مدة فترة الضمان التي تتوافق مع الفترة المحددة التي يمكن خلالها المطالبة بالمطابقة لاسترداد قيمة هذا المنتج أو استبداله. في دول الاتحاد الأوروبي، يسري هذا لمدة (2) عامين من تاريخ استلام المنتج Thrustmaster. وفي دول أخرى، تتوافق فترة الضمان مع الفترة المحددة للمطالبة بمطابقة المنتج Thrustmaster وفقًا للقوانين المعمول بها في الدولة التي كان يقطن بها المستهلك عند تاريخ شراء المنتج Thrustmaster (في حالة عدم المطالبة في الدولة المعنية، ستكون فترة الضمان عام (1) واحد من تاريخ الشراء الأصلي للمنتج Thrustmaster).

وإذا ظهر أن المنتج معيَّبًا خلال فترة الضمان، فاتصل على الفور بالدعم الفني الذي سيرشدك إلى الإجراءات التي يجب أن تتبناها. وإذا تم التأكد من وجود العيب، فيجب إعادة المنتج إلى مكان شرائه (أو أي موقع آخر يشير إليه الدعم الفني).

وفي سياق هذا الضمان، يجب استبدال المنتج المعيب الخاص بالمستهلك أو إصلاحه، وذلك حسب اختيار الدعم الفني. إذا خضع منتج Thrustmaster، في خلال فترة الضمان، لأي عملية إصلاح، فإن أي فترة يكون المنتج خلالها خارج الخدمة ويحد أدنى سبعة (7) أيام سوف تضاف إلى فترة الضمان المتبقية (تبدأ هذه الفترة من تاريخ طلب العميل للتدخل أو من تاريخ تقديم المنتج المذكور للإصلاح، إذا كان تاريخ تقديم المنتج للإصلاح لاحقًا لتاريخ طلب التدخل). تقتصر المسؤولية الكاملة لشركة Guillemot وفروعها (بما في ذلك الأضرار التبعية) على إصلاح المنتج Thrustmaster أو استبداله، وذلك عندما يكون هذا جائزًا بموجب القانون الساري. تخلي شركة Guillemot مسؤوليتها عن أي ضمانات خاصة بالتجارة أو الملاءمة لغرض معين، وذلك عندما يكون هذا جائزًا بموجب القانون الساري.

لا يسري هذا الضمان: (1) إذا تم تعديل المنتج أو فتحه أو تغييره أو إذا تعرض للتلف نتيجة لاستخدام السبي أو غير الملائم أو الإهمال أو حادث أو الإهلاك نتيجة الاستعمال العادي، أو أي سبب آخر لا يرتبط بوجود عيب في المواد أو التصنيع (بما في ذلك، على سبيل المثال لا الحصر، تجميع منتج Thrustmaster بواسطة أي عنصر غير مناسب، بما في ذلك على وجه الخصوص وحدات الإمداد بالطاقة أو البطاريات القابلة لإعادة الشحن أو الشواحن أو أي عناصر أخرى لا يتم توريدها من خلال Guillemot لهذا المنتج)؛ (2) إذا استخدم المنتج لأي غرض آخر بخلاف الاستخدام المنزلي، بما في ذلك الأغراض المهنية أو التجارية (غرف الألعاب أو التدريب أو المسابقات على سبيل المثال)؛ (3) في حالة عدم الالتزام بالتعليمات المقدمة من قبل الدعم الفني؛ (4) على البرامج، حيث تخضع هذه البرامج لضمان محدد؛ (5) على العناصر الاستهلاكية (العناصر التي يتم استهلاكها خلال فترة عمر المنتج: كالبطاريات غير القابلة لإعادة الاستخدام أو سماعات الرأس أو وسادات الأذن الخاصة بسماعة الرأس)؛ (6) الملحقات (كالكابلات والعلب والحافظات والحقائب وأربطة المعصم)؛ (7) إذا تم بيع المنتج في مزاد علني. هذا الضمان غير قابل للتحويل.

لا يؤثر هذا الضمان على الحقوق القانونية للمستهلك بمقتضى القوانين المطبقة على بيع السلع الاستهلاكية في بلده/بلدها.

## شروط الضمان الأخرى

خلال فترة الضمان، لن توفر Guillemot، من حيث المبدأ، أي قطع غيار، حيث أن الدعم الفني هو الطرف الوحيد المحول بفتح و/أو إصلاح أي منتج من Thrustmaster (باستثناء أي إجراءات إصلاح يطلب الدعم الفني إجراؤها بواسطة العميل، عن طريق تعليمات مكتوبة – على سبيل المثال، نظرًا لبساطة عملة الإصلاح وعدم سريرتها – وتزويد العميل بقطعة (قطع) الغيار المطلوبة، حيثما أمكن ذلك).

لمقتضى المجالات الإبداعية ولحماية أسرار المعرفة الفنية والأسرار التجارية، لن توفر Guillemot، من حيث المبدأ، أي إشعارات للإصلاح أو قطع غيار لأي منتج Thrustmaster انتهت فترة الضمان الخاصة به.

## المسؤولية

تخلي شركة Guillemot Corporation S.A. (المشار إليها فيما بعد باسم "Guillemot") وفروعها مسؤوليتها كاملة عن أي أضرار تنتج عن حالة أو أكثر من الحالات التالية، إذا كان هذا جائزًا بموجب القانون الساري: (1) تعديل المنتج أو فتحه أو تغييره؛ (2) عدم الالتزام بتعليمات المجموعة؛ (3) الاستخدام السيئ أو غير الملائم أو الإهمال أو التعرض لحادث (تصادم، على سبيل المثال)؛ (4) الإهلاك الناتج عن الاستعمال العادي؛ (5) إذا استخدم المنتج لأي غرض آخر بخلاف الاستخدام المنزلي، بما في ذلك الأغراض المهنية أو التجارية (غرف الألعاب أو التدريب أو المسابقات على سبيل المثال). تخلي شركة Guillemot وفروعها كافة مسؤوليتها عن أي أضرار لا ترتبط بعيب في المواد أو التصنيع يتعلق بالمنتج (متضمنًا، على سبيل المثال لا الحصر، أي أضرار تحدث بشكل مباشر أو غير مباشر بسبب أي برنامج أو عن طريق دمج منتج Thrustmaster مع أي عنصر غير مناسب، بما في ذلك على وجه الخصوص وحدات الإمداد بالطاقة أو البطاريات القابلة لإعادة الشحن أو الشواحن أو أي عناصر أخرى لا يتم توريدها من خلال Guillemot لهذا المنتج)، إذا كان هذا جائزًا بموجب القانون الساري.

**THRUSTMASTER®**

الدعم الفني

<http://support.thrustmaster.com>

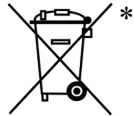




© 2017 Guillemot Corporation S.A. جميع الحقوق محفوظة. Thrustmaster® هي علامة تجارية مسجلة لشركة Guillemot Corporation S.A. العلامة التجارية مسجلة لشركة Ferrari S.p.A. هي علامة تجارية مسجلة لشركة Ferrari S.p.A. مرخص للبيع في أوروبا وإفريقيا والشرق الأوسط وروسيا والهند وأوقيانوسيا. للاستخدام حصرياً مع PlayStation®3 و PlayStation®4. كافة العلامات التجارية الأخرى مملوكة لأصحابها المعنيين. الرسوم التوضيحية غير ملزمة. وتخضع المحتويات والتصميمات والمواصفات للتغيير دون إشعار وقد تختلف من بلد إلى آخر. صنع في الصين. تم التصنيع والتوزيع بواسطة Guillemot Corporation S.A.

### توصيات الحماية البيئية

اتحاد الأوروبي: عند انتهاء صلاحية المنتج، يجب عدم التخلص منه مع النفايات المنزلية العادية، وضع في نقطة تجميع خاصة بالتخلص من نفايات المعدات الكهربائية والإلكترونية (WEEE). ذلك الرمز الموجود على المنتج أو دليل المستخدم أو الغلاف. إعادة تدوير المواد، على حسب خصائصها. من خلال إعادة التدوير والأشكال الأخرى لمعالجة المعدات الكهربائية والإلكترونية، يمكنك المشاركة بفعالية في المساعدة على حماية البيئة. الاتصال بالسلطات المحلية لديك للحصول على معلومات حول نقطة التجميع الأقرب إليك. لكافة البلدان الأخرى: يرجى الالتزام بقوانين إعادة التدوير المحلية الخاصة بالمعدات الكهربائية ترونية.



احتفظ بهذه المعلومات. قد تختلف الألوان والزخارف. يجب إزالة المواد المثبتة واللاصقة من المنتج قبل استخدامه.

[www.thrustmaster.com](http://www.thrustmaster.com)

\* يطبق على الاتحاد الأوروبي وتركيا فقط

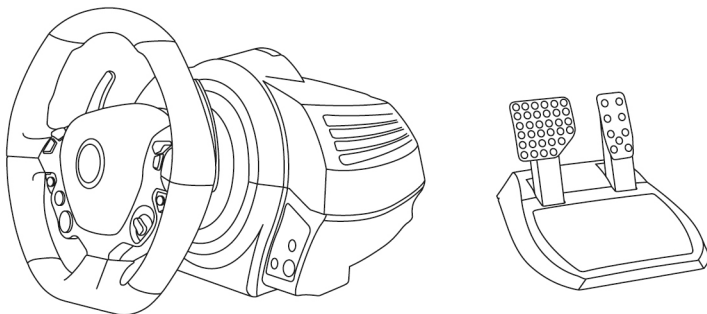


# TX Racing Wheel

FERRARI 458 ITALIA EDITION

Xbox One® 用

ユーザーズマニュアル



## **警告:**

TX Racing Wheel を Xbox One 用ゲームで正しく動作させるためには、ゲームソフトを最新のバージョンにアップデートしていただく必要がある場合がございます。

(アップデートにはインターネット接続が必要となります。アップデート方法につきましては各ゲームソフトのマニュアルをご参照ください。)

# 保証規定

※ 本製品を使用される前に必ずお読みください。

この度は、本製品をお買い上げいただき誠にありがとうございます。以下の保証規定をお読みいただき内容を同意の上、本製品をご使用ください。

初期不良期間はお買い上げ日から1週間とさせていただきます。

保証期間は お買い上げ日から1年間です。

注意：

個人売買（インターネット等）で購入された際の購入日は、保証開始日として起算できません。

社会的信用のある販売店でのご購入時のみ、購入日を保証開始日としますので、個人売買の場合は、商品の発売日から保証開始日として起算させていただきます。

購入日が確認できるレシートは大切に保管してください。

製品がユーザーマニュアル記載の通常の使用法により正常に動作しなくなった場合は、弊社の判断で無償にて交換/修理いたします。売上等の場合は同等品と無償で交換いたします。

交換の場合、お客様からお送りいただいた製品等は返却いたしかねます。また、修理の際に取り外した部品等も返却いたしかねます。

保証期間内でも、次の場合は保証が受けられません。

1. 弊社製品と判断出来ない場合。
2. ハードウェア自身の消耗に起因する故障または損傷（本製品は性質上、物理的な機構の耐久性に依存する製品寿命がございます）。
3. 火災、地震、水害、落雷、ガス害、塩害、その他の天災地変、公害や異常電圧による故障または損傷。
4. お買い上げ後の輸送、移動時の落下などお取り扱いが不適当なため生じた故障・損傷。
5. ご使用時の不備あるいは接続している他の機器によって生じた故障または損傷。
6. ユーザーマニュアルの記載内容に反するお取り扱いによって生じた故障または損傷。
7. 弊社以外で改造、調整、部品交換などをされた場合。
8. 本製品の故障に起因するデータ損失などの付随する損害に関しては一切保証できません。
9. ご使用環境との相性問題に関する返品、返金等。
10. ゲームソフトとの相性問題に関する返品、返金等。
11. 一般家庭以外（例えば業務用）でのご使用による故障、損傷または不具合。
12. その他、弊社が、交換を認め難い不適切な行為があると判断した場合。
13. 購入日が確認できるレシートがない場合。

## カスタマーサポート

本製品に異常を感じられた場合は、すぐに使用を中止し、カスタマーサポートへご相談ください。

### ■保証を受ける際に用意するもの

購入店と購入した日付が分かる書類（購入時のレシート、保証書シール、保証書レシート、通販の代引伝票など）が必要となります。

それらは決して捨てたりせずに大切に保管してください。

ご購入日付を証明する書類をご呈示いただけない場合、保証期間内であっても有償での修理対応となりますので、あらかじめご了承ください。

又、保証を受ける権利はご購入者以外（保証の譲渡）が所有する事はできません。

### ■ご送付についてのご案内

本製品に異常が発生した場合、カスタマーサポートにご相談頂いた後に、本製品をカスタマーサポートまでご送付いただく場合がございます。現象、環境等の詳細をお書き添え頂き、配送業者様の送り状（伝票）に“不良検証品”と明記の上、お買い上げ時のレシート等と共に本製品をお送りください。

発送される際は、紛失等のトラブルを防ぐため、必ず受領確認の取れる宅配便でご送付ください。

封書、郵便小包等の郵送は固くお断り申し上げます。

※ なお、輸送中の事故については、弊社にて責任を負いかねます。あらかじめご了承ください。

### ■交換／修理依頼時のご注意

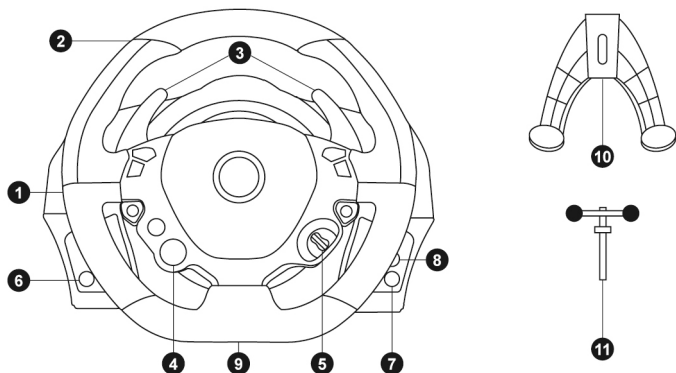
以下の点をご了承の上、交換／修理をご依頼頂けますようお願いいたします。

1. 交換／修理のご依頼について:交換／修理のご依頼は日本国内にお住まいの方とさせていただきます。
2. 代替機の貸出について:交換／修理に伴う代替機の貸出等は行っておりません。
3. 製品の交換について:修理が困難な場合には、修理せずに同等品と交換させて頂く事がございます。この場合、お客様にて貼られたシールなどはお返しできません。
4. お客様が設定されたデータについて:弊社にて修理作業を行う際にお客様が設定されたデータを消去する場合があります。この場合は、工場出荷初期状態でお返しすることとなります。(製品ごと交換する場合も同様です)

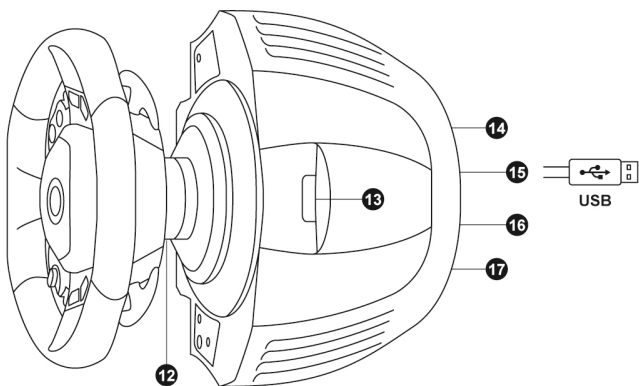
### ■送料について

1. 初期不良期間内（お買い上げ日から1週間、月曜日にお買い上げの場合には翌週の日曜日のサポート受付時間終了まで）:初期不良期間の送料は往復共に弊社が負担させていただきます。
2. 初期不良期間終了以降～保証期間終了まで:弊社にご送付頂く際の送料はお客様にてご負担願います。
3. 製品を返送する際の送料は弊社にて負担させていただきます。

## 技術仕様



- |                            |                                |
|----------------------------|--------------------------------|
| 1 ステアリングホイール ベース部          | 7 Xbox ボタン                     |
| 2 ステアリングホイール               | 8 白インジケータランプ                   |
| 3 ギアシフト/パドル x2(左右)         | 9 大ねじ穴 (アタッチメントシステムおよび締め付けねじ用) |
| 4 方向パッド(エンジンスタートボタン)       | 10 固定クランプ                      |
| 5 Manettino スイッチ (2 ポジション) | 11 金属製取り付けねじ                   |
| 6 -MODE ボタン + 赤/緑インジケータランプ |                                |



- |  |                              |
|--|------------------------------|
| 12 Thrustmaster クイックリリース                 | 15 ステアリングホイール USB ケーブルとコネクター |
| 13 ペ어링センサー (Kinect™ 検出用)                 | 16 ギアボックス用コネクター              |
| 14 主電源コネクター(A または B タイプ<br>(国によって異なります)) | (別売: 近日発売予定)                 |
|  | 17 ペダルセット用コネクター              |

## ステアリングホイールを電源コンセントに接続する前に = まず最初にお読みください

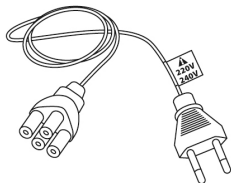
ステアリングホイールの電源は、ご購入いただいた国によって異なります。主電源には以下のタイプがあります。

### 電源内蔵型:

\* 電源ユニットがステアリングホイールのベース部に内蔵されており、A タイプのコネクターを搭載しています。

\*220~240V 主電源ケーブル

= 220~240V の電源コンセント専用です。



絶対に 220~240V の電源ケーブルを 100~130V の電源コンセントに接続しないでください。絶対に、このケーブルを主電源アダプターに接続しないでください。

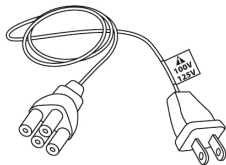


### 電源内蔵型:

\* 電源ユニットがステアリングホイールのベース部に内蔵されており、A タイプのコネクターを搭載しています。

\*100~125V 電源ケーブル

= 100~125V の電源コンセント専用です。



絶対に 100~125V の電源ケーブルを 220~240V の電源コンセントに接続しないでください。絶対に、このケーブルを主電源アダプターに接続しないでください。



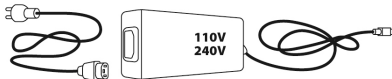
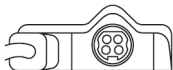
**重要:** 本製品をご使用になる地域の電源コンセントの電圧が分からない場合は、必ず管轄の電力会社などにお確かめください。

### 外部電源型:

\* 外部電源ユニットがステアリングホイールのベース部に接続されており、B タイプのコネクターを搭載しています。

\* 主電源ケーブル

= 110~240V のすべての電圧に対応。



## 警告

ご使用前に、必ずこのユーザーズマニュアルをお読みください。お読みになった後は、いつでも見られる場所に大切に保管してください。



### 警告 - 感電

- \* 本製品は湿気・ホコリの多い場所や、直射日光のあたる場所で保管しないでください。
- \* 接続手順に正しくしたがつてください。
- \* コネクターやケーブルを、ねじったり引っ張ったりしないでください。
- \* 本製品やコネクターをぬらさないでください。
- \* 本製品をショートさせないでください。
- \* 分解や改造は絶対にしないでください。本製品を火の中に投棄したり、高温にさらしたりしないでください。
- \* 付属の電源ケーブル以外は使用しないでください。
- \* 付属の電源ケーブルは、本製品以外では使用できません。
- \* 電源ケーブルやコネクターが破損していたり、裂けていたり、断線している場合は絶対に使用しないでください。
- \* 電源ケーブルの片方コンセントにしっかり差し込まれており、もう片方がステアリングホイールのベース部の背面に接続されていることをご確認ください。
- \* 本製品を開けないでください。内部にユーザーが交換できる部品はありません。修理はメーカー、指定の修理業者、あるいは資格を有する技術者までご依頼ください。
- \* メーカー指定のアタッチメント/アクセサリ以外は使用しないでください。
- \* ステアリングホイールの動作に異常（変なにおいや音、過度な発熱など）が発生したときは、使用をただちに中止し、電源ケーブルをコンセントから抜き、他のケーブルもすべて抜いてください。
- \* 本製品を長期間使用しない場合には、主電源アダプターをコンセントから抜いてください。



### 排気口

ステアリングホイールのベース部にある排気口をふさがないでください。適切な排気ができるよう、以下のようにご注意ください。

- \* ベース部を、壁面から少なくとも 10cm 以上離してください。
- \* ベース部を狭いスペースに置かないでください。
- \* ベース部をふさがないでください。
- \* 排気口にホコリがたまらないようにしてください。



ペダルセットは、裸足もしくは靴下しか着用していない状態で絶対に使用しないでください。

安全のため、必ず靴を着用してください。

THRUSTMASTER® は、靴を着用せずにペダルセットを使用したことによって生じたいかなるケガについても一切責任を負いません。



### 警告 - フォースフィードバック、および繰り返しの動きによる負傷の可能性

フォースフィードバック対応ステアリングホイールを使ったゲームプレイは、筋肉や関節の痛みなどの症状を引き起こす恐れがあります。この危険性は、次のような予防措置をとることによって減らすことができます。

- \* 長時間のプレイは避けてください。
- \* 1 時間ごとに 10～15 分の休憩をとるようにしてください。
- \* 手、手首、腕、足を始めとする身体の部位に疲れや痛みを感じたときはプレイをただちに中止し、再開する前に数時間の休憩をとるようにしてください。
- \* 休憩後にプレイを再開しても、上記の症状や痛みがとれない場合は、プレイを中止して医師に相談してください。
- \* 本製品は、お子様の手の届かない場所で使用してください。
- \* ゲームプレイ中は常に、ステアリングホイールの正しい位置に両手を置いて使用してください。ステアリングホイールから両手を完全に離さないでください。
- \* ゲームプレイ中は、ペダルの下およびペダルセット付近に指を絶対に置かないでください。
- \* 調整中およびゲームプレイ中は、絶対に手や腕をステアリングホイールのすき間に置かないでください。
- \* ステアリングホイールのベース部が、マニュアルの指示通りに正しく取り付けられていることをご確認ください。

### 重量注意



本製品の対象年齢は  
16 歳以上です。



本製品を、自分や人に落とさないよう  
にご注意ください。

正しい



危険



危険





**!** 警告 - ペダル挟まれ危険 (プレイ時)

- \* ペダルセットは、お子様の手の届かない場所で使用および保管してください。
- \* プレイ中は、ペダルの両サイド付近に指を絶対に置かないでください。
- \* プレイ中は、ペダルの後方ベース部付近に指を絶対に置かないでください。
- \* プレイ中は、ペダルのフロントベース部付近に指を絶対に置かないでください。

危険



危険



危険



**!** 警告 - ペダル挟まれ危険 (非プレイ時)

- \* ペダルセットは、子供の手が届かない安全な場所に保管してください。

## FERRARI 458 ITALIA ステアリングホイールをベース部に取り付ける

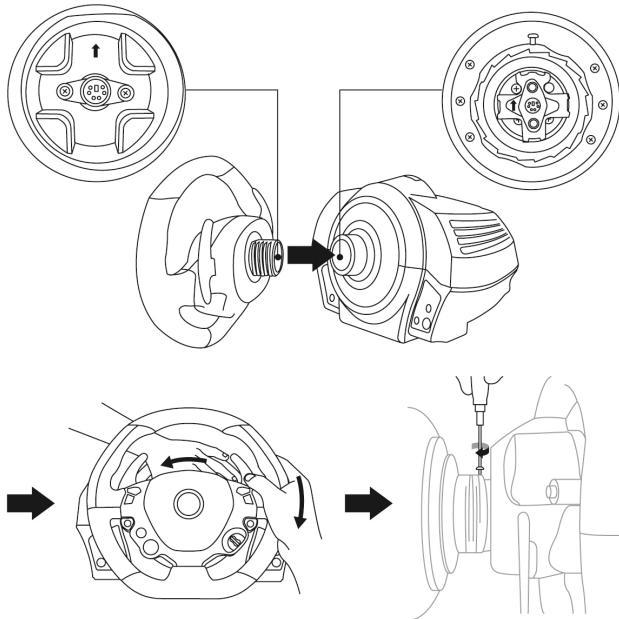
矢印を使って、コネクターの位置を合わせます。

ベース部 (1)コネクター: 上向き矢印

ステアリングホイール (2)コネクター: 上向き矢印

コネクターを正しい位置にセットしたら、Thrustmaster クイックリリース (12) 軸のリングを、ステアリングホイール (2)を手で押さえて固定したまま反時計方向に回します。

次に、リングをできるだけきつく締めます。リングの位置を固定した状態で、ステアリングホイールを時計方向に回してください。



FERRARI 458 ITALIA ステアリングホイールを装着したら、180° 回転させることで (ステアリングホイールを正面から見たとき、FERRARI ロゴが逆さになります)、Thrustmaster クイックリリース (12) デバイスの固定ねじにアクセスできます。大きなプラスドライバーで、固定ねじを時計方向に回して締めます (締めすぎ注意)。



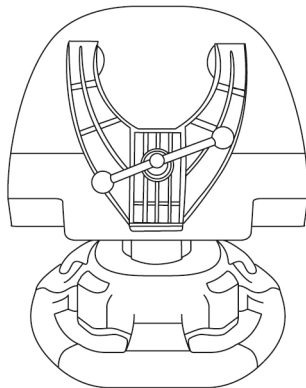
(ブラスドライバーで) 小さな取り付けねじを締める際には、力の入れすぎにご注意ください。  
少し抵抗を感じたら、それ以上ねじを回さないでください。

## ステアリングホイールを取り付ける

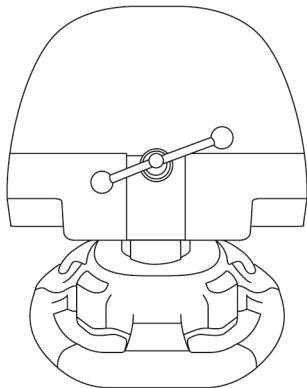
### ステアリングホイールをテーブルまたは机に取り付ける

1. ステアリングホイールを、テーブルなど平らで水平かつ、安定した場所に置きます。
2. 固定クランプ (10) に締め付けねじ (11) を差し込み、ねじを反時計方向に回して、ステアリングホイール底面の大きなねじ穴 (9) に締め込みます (デバイスがしっかりと固定されるまで)。

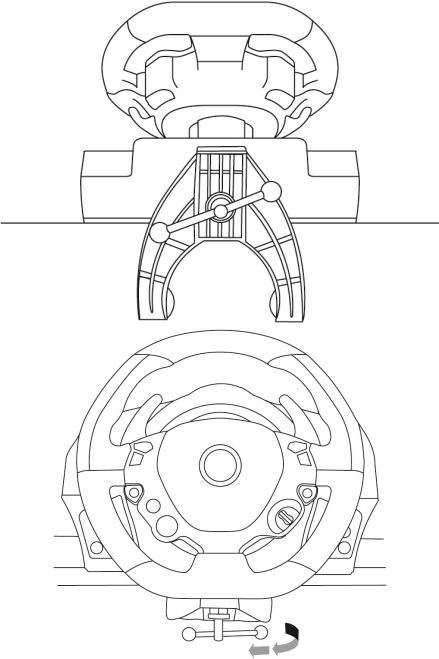
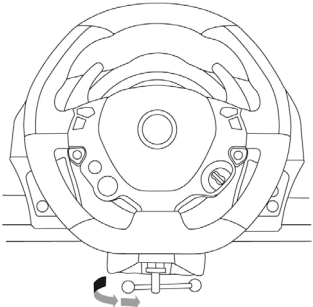
正しい取付



禁止



**警告:** 絶対に、固定クランプを取り付けずにねじだけを閉めないでください。  
(ステアリングホイールが損傷する恐れがあります)。

取り付け / 取り外し	方向
<p><b>締めるとき:</b></p> <p>ねじを 反時計方向に回す</p>	
<p><b>取り外すとき:</b></p> <p>ねじを 時計方向に回す</p>	

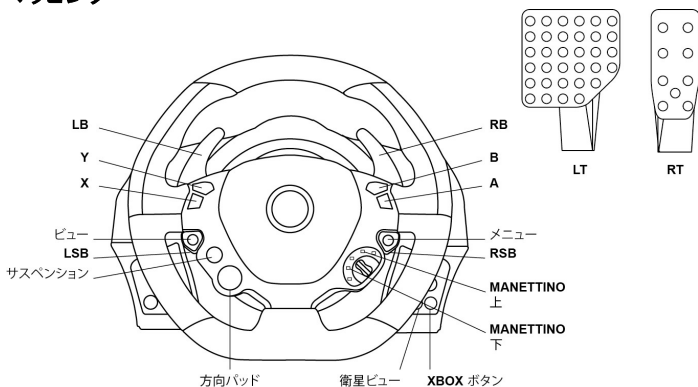
## ステアリングホイールのベース部をコックピットに取り付ける

1. ステアリングホイールのベース部を、コックピットの上に置きます。
2. 2本の M6 ねじ (付属していません) をコックピットに通し、ステアリングホイール底面の 2 つの小ねじ穴に差し込みます。  
**重要:** 使用する M6 ねじの長さが、コックピットの厚さ 12 mm を超えないようにしてください。それよりも長いねじを使用すると、ステアリングホイールの内部部品が破損する恐れがあります。
3. 必要であれば、大ねじ穴に締め付けねじを差し込んで、標準アタッチメントシステムを取り付けてください。

## ペダルセットをコックピットに取り付ける

1. ペダルセットを、底面のねじ穴を使って取り付けます。
2. 2本の M6 ねじ (付属していません) をコックピットに通し、ペダルセット底面の 2 つの小ねじ穴に差し込みます。  
**重要:** 使用する M6 ねじの長さが、コックピットの厚さ +10 mm を超えないようにしてください。それよりも長いねじを使用すると、ペダルセットの内部部品が破損する恐れがあります。

## マッピング



現時点では、本ステアリングホイールの各アクションボタンは Xbox One 上ですべて同一の機能しか持ちません。

近い将来には、ゲームの自動アップデート (ゲーム機がインターネットに接続されていると、自動アップデートを利用できます)、およびステアリングホイールのファームウェアのアップデートを行うことで、それぞれのボタンで別々の機能を利用できるようになります。

## ステアリングホイールのファームウェアをアップデートする

ステアリングホイールのベース部に搭載されている制御ソフト（ファームウェア）の更新を行うことで、随時製品の最新の機能強化・改良のアップデートが可能です。

お使いのステアリングホイールの現在のファームウェアバージョンを表示し、必要に応じてアップデートを行うには次の URL にアクセスしてください（PC から）:

<https://support.thrustmaster.com>。[ステアリングホイール / TX Racing Wheel] をクリックし、[ファームウェア] を選択してファームウェアのダウンロードおよびセットアップ手順にしたがってください。

## ステアリングホイールを XBOX ONE 用に設定する

1. ペダルセットを、ステアリングホイールのベース部背面にあるコネクタ(17)に接続します。
2. 電源ケーブルを、ステアリングホイールのベース部背面にあるコネクタ(14)に接続します。
3. 電源ケーブルを正しい電圧のコンセントに差し込みます。



**詳しくは本マニュアル 3 ページの「ステアリングホイールを電源コンセントに接続する前に」の項をご参照ください。**

4. ステアリングホイールの USB コネクタ(15)を、ゲーム機本体のいずれかの USB ポートに接続します。

これでレースの準備が整いました！

## ステアリングホイールとペダルセットの自動調整

ステアリングホイールを電源コンセントにつなげて、ステアリングホイールの USB コネクタをゲーム機に接続すると、ステアリングホイールの自動調整が実行されます。

自動調整では、ステアリングホイールが左右方向に合計 900° すばやく回転し、最後にセンターで停止します。



**警告:**

自動調整が行われている間は、絶対にステアリングホイールに触れないでください。  
(調整が正しく行われなかったり、ケガをしたりする恐れがあります)

## ペダルセットの自動調整

ステアリングホイールがゲーム機に接続されている状態、もしくはゲームプレイ中は、絶対にペダルセットをステアリングホイールのベース部に接続（またはベース分から取り外し）しないでください。調整が正しく行われぬ場合があります。

ペダルセットは必ず、ステアリングホイールをゲーム機に接続する前に、ステアリングホイールに接続してください。

ステアリングホイールの調整が完了してゲームが起動した後、ペダルを数回踏むとペダルは自動的に調整されます。



**警告:**

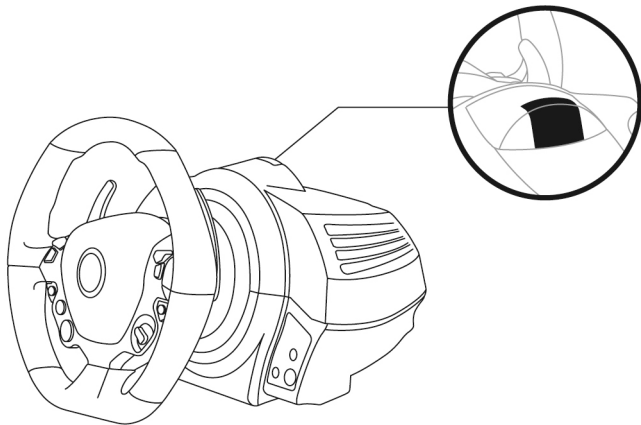
ステアリングホイールの自動調整が行われている間、およびゲームのローディング中は絶対にペダルを踏まないでください！  
(調整が正しく行われない恐れがあります)

ステアリングホイールやペダルセットが正しく動作しない、あるいは調整が正しくないと思われる場合:

ゲーム機の電源を切り、ステアリングホイールを完全に取り外してから、(主電源ケーブルとペダルセットを使って)すべてのケーブルを接続し直します。次に、ゲーム機とゲームを再起動します。

### コントローラーのペアリング (13)

ステアリングホイールが正しく検出されるためには、(ステアリングホイールのベース部の上部に配置されている)コントローラーのペアリングが常に Kinect センサーの視野内になければなりません。



## 内部温度センサー

ステアリングホイールのベース部分には、安全のための温度センサーが搭載されています。本体内の温度が高くなりすぎると、ステアリングホイールが突然シャットダウンする場合があります。そのような場合、次の手順を実行してください。

- 本製品の電源ケーブルと SB コネクターを取り外します。
- ステアリングホイールのベース部分が冷えるまでしばらく待ちます。
- 電源ケーブルと USB ケーブルをつなぎ直します。

## MODE ボタンおよびインジケータランプ (6)

### ペダルセット用 MODE ボタン

TX Racing Wheel に付属するペダルセットは、2 個のペダルで構成されています。ペダルセット使用時には、インジケータの色が常に赤であることを確認してください。そうでない場合、アクセルペダルが正しく動作しません。

TX Racing Wheel は、ペダル 3 個で構成された Thrustmaster ペダルセットとも互換性があります (別売・近日発売予定)。使用時には、アクセルペダルとクラッチペダルを電子的にスワップ (切り替え) することができます。

スワップを行う場合は、MODE ボタン (6) を 2 秒間押し続けます。

ペダルのスワップ状態は、ステアリングホイールの内蔵メモリに保存されます。

アクセルとクラッチペダル	MODE インジケータ (6) の色
通常	赤
スワップ	緑

### MODE ボタンについての追加ヒント

MODE ボタンおよびインジケータランプについてさらに詳しく知るには、<http://ts.thrustmaster.com> をご覧ください。[ステアリングホイール / TX Racing Wheel] をクリックし、[マニュアル / FAQ] を選択してください。

Web サイト (<https://support.thrustmaster.com>) の Technical Support (テクニカルサポート) カテゴリーにアクセスすると、本書に記載されていないさまざまなヒントおよびヘルプ情報を入手できます。(英語・フランス語・ドイツ語のみ対応いたしております)

ヘルプ ファイルとよくある質問 (本マニュアルには記載されていないもの)

<https://support.thrustmaster.com> にアクセスし、[ステアリングホイール / TX Racing Wheel] をクリックして、[マニュアル / FAQ] を選択してください。



## 著作権

©2016 Guillemot Corporation S.A. All rights reserved. Thrustmaster® は、Guillemot Corporation S.A. の登録商標です。

All rights reserved. その他、本書に記載の登録商標およびブランド名は、それぞれの所有者に帰属します。本書に含まれるイラストには法的拘束力はありません。本書に含まれる内容、設計および仕様は、事前の通告なしに変更される場合があります、また、各国で異なる場合があります。

### 環境保護推奨

国内の電気電子機器のリサイクル法を遵守してください。

リサイクルのための廃機器の収集地点や廃棄方法についての詳細は、お住まいの地域の自治体までお問い合わせください。

この情報は大切に保管してください。色や形状は実際の製品と異なる場合があります。本製品をご使用になる前に、プラスチック留め具や粘着テープなどはすべて取り除いてください。

本製品は、16 歳以上のユーザーに対する安全基準をすべて満たしています。本製品は 16 歳未満のお子様には適しません。

[www.thrustmaster.com](http://www.thrustmaster.com)



 : 外箱

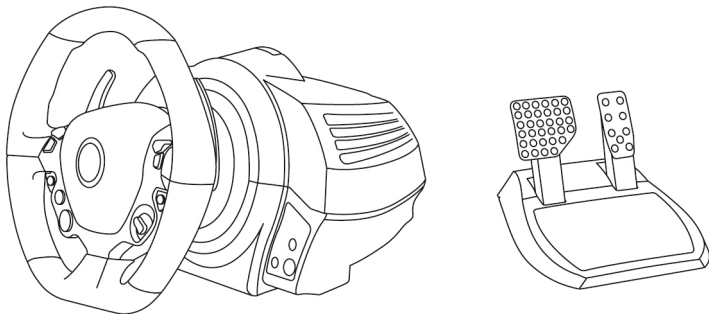


# TX Racing Wheel

FERRARI 458 ITALIA EDITION

适用于 XBOX ONE®

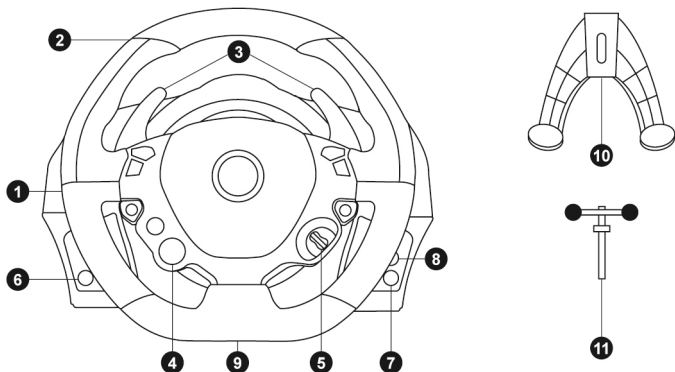
用户手册



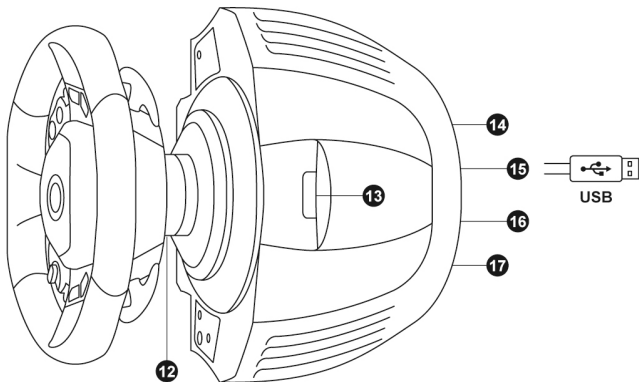
## 警告：

为确保 TX 方向盘能够正常操控  
XBOX ONE 游戏机的游戏，  
您可能需要安装游戏的自动更新  
(当您的游戏主机连接到互联网时可用)。

## 技术规格



- |                              |                           |
|------------------------------|---------------------------|
| 1 方向盘底座                      | 7 Xbox Guide (Xbox 导航) 按钮 |
| 2 方向盘                        | 8 白色指示灯                   |
| 3 2 个序列式变速杆 (向上和向下)          | 9 大螺纹孔 (用于安装固定系统和紧固螺丝)    |
| 4 多向 Engine Start (引擎启动) 方向盘 | 10 固定系统                   |
| 5 Manettino 旋钮 (2 档)         | 11 金属紧固螺丝                 |
| 6 “模式”按钮 + 红色/绿色指示灯          |                           |



- |                         |                   |
|-------------------------|-------------------|
| 12 Thrustmaster 快拆器     | 15 方向盘 USB 电缆和连接器 |
| 13 控制器对 (用于 Kinect™ 检测) | 16 变速箱连接器         |
| 14 电源连接器 (A 或 B 型)      | (单独销售, 即将发布)      |
| (因国家和地区而异)              | 17 踏板组连接器         |

## 将方向盘连接到电源 = 继续操作之前请先阅读此部分！

您的方向盘电源因设备销售国家/地区而异。

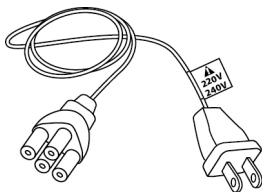
电源可以是：

### 中國大陸-内部电源：

\* 电源装置直接安装于方向盘底座内部，带有 A 型连接器

\* 220-240 V 电源电缆

= 仅兼容 220-240 V 电源。



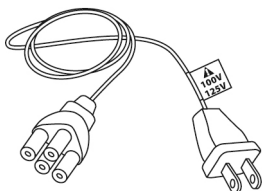
**切勿将 220-240 V 电缆连接到 100-130 V 电源插座！切勿将此电缆连接到电源适配器！**

### 臺灣-内部电源：

\* 电源装置直接安装于方向盘底座内部，带有 A 型连接器

\* 100-125 V 电源电缆

= 仅兼容 100-125 V 电源。



**切勿将 100-125 V 电缆连接到 220-240 V 电源插座！切勿将此电缆连接到电源适配器！**

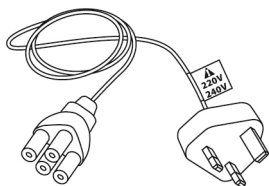
**重要提示：如果您不知道方向盘使用地的供电电压，请咨询您当地的供电商。**

### 香港-内部电源:

\* 电源装置直接安装于方向盘底座内部, 带有 G 型连接器

\* 220-240 V 电源电缆

= 仅兼容 220-240 V 电源。



**切勿将 220-240 V 电缆连接到 100-130 V 电源插座! 切勿将此电缆连接到电源适配器!**

## 警告

使用本产品之前, 请仔细阅读本文档并予妥善保管, 以备以后需要时查阅。



### 警告—触电

- \* 请将本产品置于干燥的位置, 切勿将其暴露在灰尘或阳光中。
- \* 遵照连接指示进行连接。
- \* 切勿扭曲或拉扯连接器和电缆。
- \* 切勿让任何液体溅到本产品或其连接器上。
- \* 切勿造成本产品短路。
- \* 切勿拆散本产品; 切勿将其投入火中, 亦勿将其暴露在高温环境中。
- \* 请务必使用方向盘随附的电源电缆, 切勿使用其他电源电缆。
- \* 如果电源电缆或连接器损坏、裂开或断裂, 请勿使用该电缆。
- \* 请务必将电源电缆正确插入到电源插座和位于方向盘底座背面的连接器中。
- \* 切勿打开本电源。本电源内部无任何可由用户更换的零部件。如需维修, 请咨询制造商、指定代理商或持证技工。
- \* 仅使用制造商指定的附件/配件。
- \* 如果方向盘工作异常 (如果出现任何异常的声音、过热或有异味), 应立即停止使用, 从插座上断开电源电缆, 并断开其他电缆。
- \* 如果长时间不用方向盘, 请从墙壁插座上断开市电接头。

**通气孔**

切勿堵住方向盘底座上的任何通气孔。为获得最佳通风效果，请遵循以下几点：

- \* 将底座置于距离任何墙面至少 10 cm 的位置。
- \* 切勿将底座置于任何狭小空间内。
- \* 切勿覆盖底座。
- \* 避免通气孔上堆积灰尘。



为安全起见，切勿赤脚或仅穿袜子操作踏板组。  
如因未穿鞋操作踏板组而造成任何伤害，THRUSTMASTER® 对此概不负责。

**警告—因力反馈和重复运动造成的伤害**

使用力反馈方向盘玩游戏可能会造成肌肉或关节疼痛。为避免这些问题：

- \* 避免长时间玩游戏。
- \* 每玩一小时后休息 10 到 15 分钟。
- \* 如果手、手腕、手臂、脚或腿有任何疲劳或疼痛的感觉，应停止玩游戏，休息几个小时后再玩。
- \* 如果再玩时仍然存在上述症状或疼痛感，应立即停止玩游戏并咨询医生。
- \* 放到儿童够不到的区域。
- \* 玩游戏期间，应始终将双手正确放在方向盘上，手不要完全离开方向盘。
- \* 玩游戏期间，切勿将手或手指放在踏板下方或踏板附近任何位置。
- \* 校准和玩游戏期间，切勿将手或手臂穿过方向盘的开孔。
- \* 查阅并确保遵照手册的说明仔细夹紧方向盘底座。

重产品

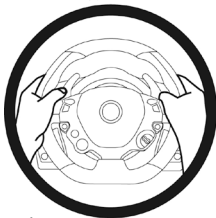


只能由年满 16 岁的  
用户操作



小心不要让本产品碰到自己或他人！

始终



切勿



切勿



**警告—玩游戏时存在的踏板组夹伤危险**

- \* 将踏板组放在儿童够不到的区域。
- \* 玩游戏时，切勿将手指放在踏板侧边或附近任何位置。
- \* 玩游戏时，切勿将手指放在踏板后底座上或附近任何位置。
- \* 玩游戏时，切勿将手指放在踏板前底座上或附近任何位置。

切勿



切勿



切勿



**警告—不玩游戏时存在的踏板组夹伤危险**

- \* 将踏板组放在安全且儿童够不到的位置。

## 将 FERRARI 458 ITALIA 方向盘安装到底座上

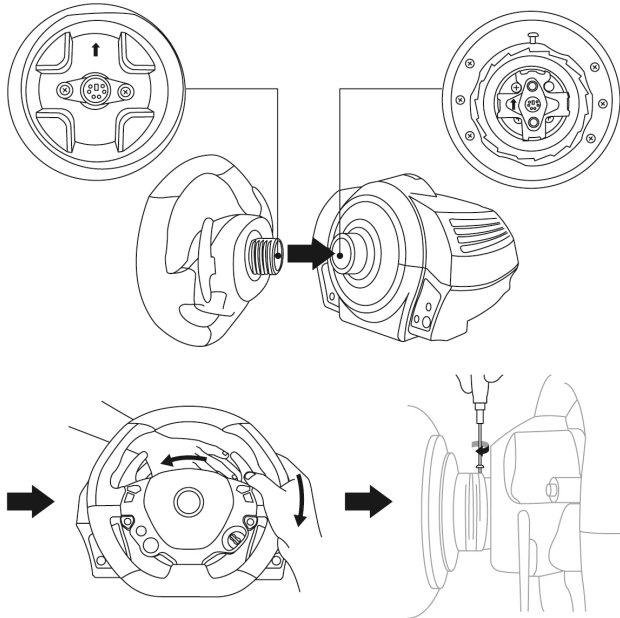
按照箭头指示对准连接器位置：

**底座 (1) 连接器：** 箭头朝上

**方向盘 (2) 连接器：** 箭头朝上

正确放置连接器放置之后，只需使方向盘 (2) 固定到位，同时逆时针旋转 Thrustmaster 快拆器 (12) 装置的圆环即可。

然后，尽量拧紧圆环；要拧紧圆环，只需将圆环固定到位，然后顺时针旋转方向盘。



安装好 Ferrari 458 Italia 方向盘后，将其旋转 180°（正对方向盘时，Ferrari 徽标应倒立），以便操作 Thrustmaster 快拆器 (12) 装置上的小固定螺丝。使用大十字螺丝刀顺时针拧紧小固定螺丝（切勿用力过猛）。



**（使用十字螺丝刀）拧紧小固定螺丝时切勿用力过猛！  
感觉到有阻力后即停止拧螺丝。**

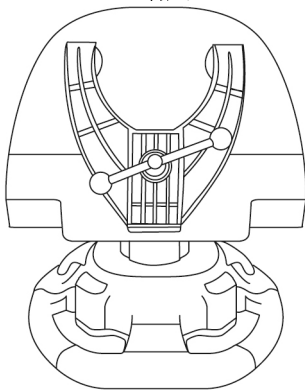


## 固定方向盘

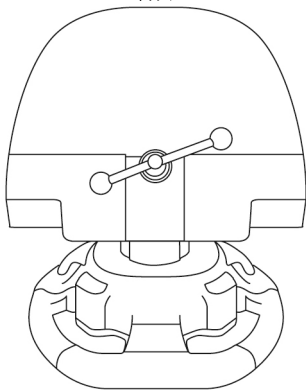
### 将方向盘固定到台面或桌面上

1. 将方向盘置于桌台或任何水平、平整且稳定的表面上。
2. 将紧固螺丝 (11) 插入到固定系统 (10) 中，然后按下述方法紧固方向盘：逆时针拧转螺丝，使螺丝进入方向盘底部的大螺纹孔 (9) 中，直至方向盘完全固定好为止。

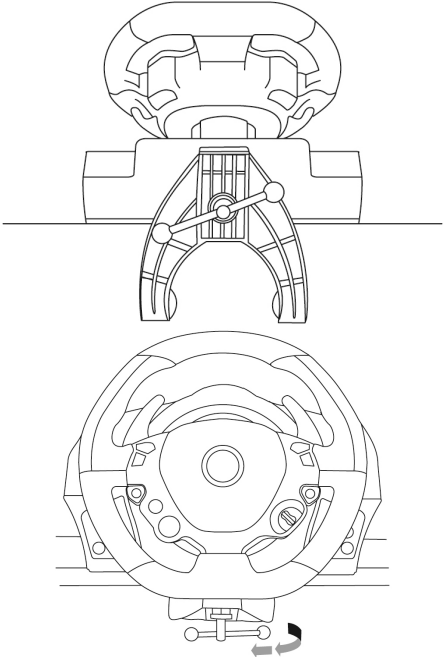
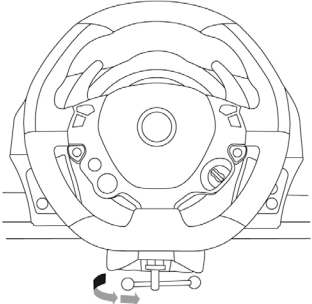
始终



切勿



**警告：**切勿只拧紧螺丝，而不使用固定系统！  
(这样可能会损坏方向盘)。

固定/拆卸	操作指示
<p data-bbox="190 436 242 460"><b>拧紧:</b></p> <p data-bbox="181 488 270 540"><b>逆时针 旋转螺丝</b></p>	
<p data-bbox="190 996 242 1020"><b>松开:</b></p> <p data-bbox="181 1048 270 1100"><b>逆时针 旋转螺丝</b></p>	

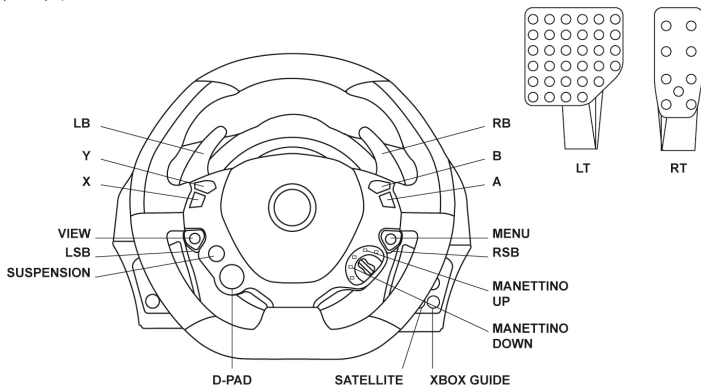
## 将方向盘底座固定到驾驶座上

1. 将方向盘底座放到驾驶座支架上。
2. 将两颗 M6 螺丝（未含）敲进驾驶座支架中，然后将其拧进方向盘底部的两个小螺纹孔中。  
*重要提示：M6 螺丝的长度不得超过支架的厚度 + 12 mm；螺丝过长可能会导致方向盘底座内部组件受损。*
3. 如有必要，可通过将紧固螺丝插入大螺纹孔，紧固标准固定系统。

## 将踏板组固定到驾驶座上

1. 使用踏板组底部的小螺纹孔固定踏板组。
2. 将两颗 M6 螺丝（未含）敲进驾驶座支架中，然后将其拧进踏板组底部的两个小螺纹孔中。  
*重要提示：M6 螺丝的长度不得超过支架的厚度 + 10 mm；螺丝过长可能会导致踏板组内部组件受损。*

## 示意图



在 Xbox One 最初发布时，方向盘上有些不同的操作按钮在游戏中的功能可能会相同。

在不久的将来，通过自动更新游戏（您的主机连接到互联网后即可进行自动更新）和更新方向盘固件等功能，可以删除这些重复的功能，使更多的按钮具备独特的功能。

## 升级方向盘固件

方向盘底座中包含的固件可升级到更新的版本，从而获得产品增强功能。

要显示方向盘当前运行的固件版本并在需要时进行升级：在 PC 上，请连接至 <http://support.thrustmaster.com>。依次点击**方向盘**和**TX Racing Wheel (TX 方向盘)**，然后选择**固件**，按照下载和安装程序说明进行操作。

## 安装用于 XBOX ONE 的方向盘

1. 将踏板组连接到方向盘底座背部的连接器 (17)。
2. 将电源电缆连接到方向盘底座背部的连接器 (14)。
3. 将电源电缆连接到具有正确电压规格的市电插座。



*有关详情，请参阅本手册第 3 页中的“将方向盘连接到电源”部分。*

4. 将方向盘的 USB 连接器 (15) 连接到主机上的 USB 端口之一。

现在即可开始飙车了！

## 自动校准方向盘和踏板组

将方向盘连接到电源并将方向盘的 USB 连接器连接到主机后，即可自动执行方向盘自校准。

在自校准过程中，方向盘将快速地左右各旋转 90 度，然后在中心位置停下。



**警告：**

**切勿在自校准过程中触摸方向盘！**  
*(这可能导致校准不正确和/或人员受伤。)*

## 自动校准踏板组

当踏板组连接到主机上时，或者在玩游戏期间，切勿将踏板组连接到方向盘底座（或者将其从底座断开）（这可能导致校准不正确）。

务必先连接踏板组，再将方向盘连接到主机。

完成方向盘校准并启动游戏之后，只需踩几下踏板，即会自动校准踏板。



**警告：**

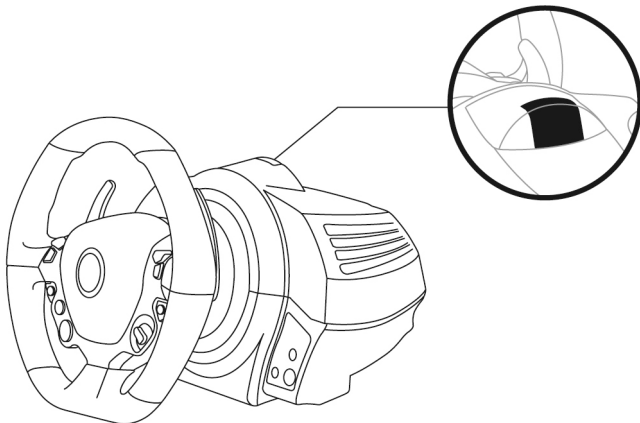
**切勿在方向盘进行自校准过程中或加载游戏时  
踩下踏板！**  
*(这可能导致校准不正确)*

### **如果方向盘和踏板组工作不正常，或者校准似乎不正确：**

请关闭主机，完全断开方向盘的连接，重新连接所有电缆（使用电源电缆和踏板组），然后重启主机和游戏。

## **控制器对 (13)**

为确保系统正确检测到方向盘，设备的控制器对（位于方向盘底座上部）必须始终处于 KINECT™ 摄像机的视野内。



## **内部温度传感器**

为安全起见，方向盘的底座配有一个温度传感器。

如果设备温度过高，方向盘可能会突然停止。

如果出现这种情况，请：

- 拔出电源电缆和设备的 USB 连接器。
- 等待方向盘的底座完全冷却。
- 然后，重新连接设备。

## 模式按钮和指示灯 (6)

### 踏板组的“模式”按钮

TX 方向盘随附的踏板组包括两个踏板。

使用此踏板组时，请确保指示灯保持为红色，否则油门踏板将不能正常工作。

此外，TX 方向盘还兼容配备 3 个踏板的 Thrustmaster 踏板组（*单独销售；即将发布*）：使用这些踏板能够以电子方式切换油门踏板和离合器踏板。

要切换踏板，只需按住“模式”按钮 (6) 两秒钟即可。

无论是否切换踏板，方向盘的内存均会存储相关信息。

油门踏板和离合器踏板	“模式”指示灯 (6) 的颜色
正常	红色
切换	绿色

### 有关“模式”按钮的其他提示

要了解有关“模式”按钮和指示灯的更多信息，请访问以下网址：

<http://support.thrustmaster.com>。

区点击方向盘/TX Racing Wheel，然后选择手册/常见问题解答。

### 帮助文件和常见问题解答（本手册中未说明）

请访问以下网址 <http://support.thrustmaster.com>，区点击方向盘/ TX Racing Wheel，然后选择手册/常见问题解答。

## 版权声明

© 2017 Guillemot Corporation S.A.保留所有权利。Thrustmaster® 是 Guillemot Corporation S.A. 的注册商标。Ferrari® 是 Ferrari Idea S.p.A. 的注册商标。所有其他商标均为其各自所有者的资产。插图不具约束力。内容、设计和规格可能因国家/地区而异，并可能随时出现更改，恕不另行通知。中国制造。

本产品符合有关 16 岁及以上儿童适用产品的所有标准。本产品不适合未满 16 岁的儿童使用。

[www.thrustmaster.com](http://www.thrustmaster.com)



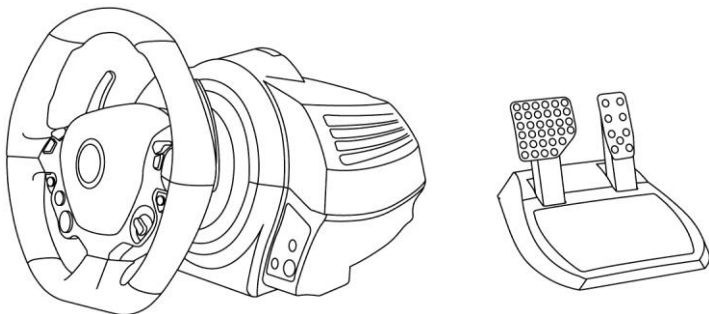
# TX Racing Wheel

FERRARI 458 ITALIA EDITION

XBOX ONE®

사용설명서

한국어



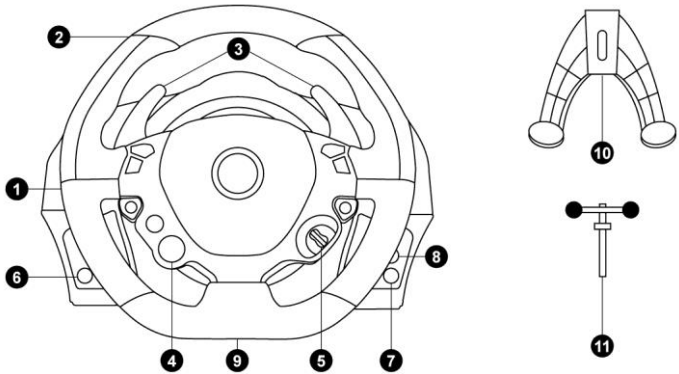
## 경고

XBOX ONE 용 게임에서 TX 레이싱 핸들의 기능이 올바르게 발휘되도록 하려면 게임 자동 업데이트를 설치해야 합니다.(게임 콘솔과 인터넷을 연결해야 자동 업데이트 기능을 사용할 수 있습니다).

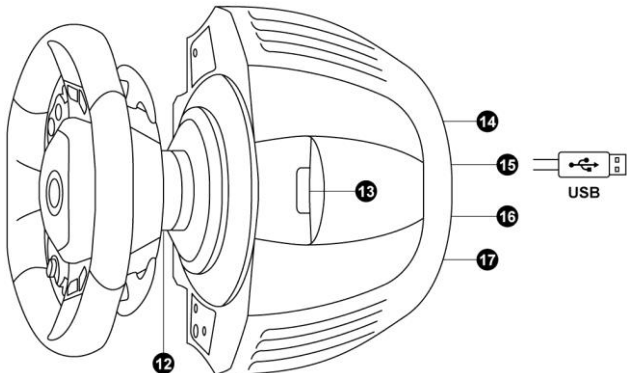
ENGLISH



# 기술 사양



- |                              |                                |
|------------------------------|--------------------------------|
| 1 레이싱 핸들 베이스                 | 7 Xbox 가이드 버튼                  |
| 2 레이싱 핸들                     | 8 백색 표시등                       |
| 3 2 개의 시퀀셜 기어 변속 레버(고속 및 저속) | 9 대형 나사 구멍(시스템 부착 및 나사 조임에 사용) |
| 4 다방향 D-패드(인진 시동)            | 10 부착 시스템                      |
| 5 마네티노(Manettino) (2 포지션)    | 11 금속 조임사                      |
| 6 MODE (모드) 버튼 + 적색/녹색 표시등   |                                |



- |                                   |                            |
|-----------------------------------|----------------------------|
| 12 Thrustmaster (트라스트마스터) 퀵 랠몬즈   | 15 레이싱 핸들 USB 케이블 및 커넥터    |
| 13 컨트롤러 체결(Kinect™ 탐지용)           | 16 변속기 커넥터<br>(별도 판매 곧 출시) |
| 14 주전원 커넥터(A형 또는 B형)<br>(나리마다 다름) | 17 페달 세트 커넥터               |

## 주전원에 레이스링 핸들 연결하기 = 연결하기 전에 읽어 주십시오!

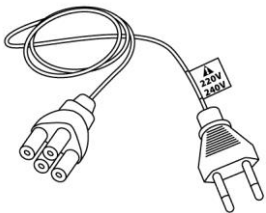
기기를 구매한 국가별로 레이스링 핸들의 전원공급장치는 다릅니다.  
한국의 경우 공급 전원은 다음과 같습니다.

**내부:**

\* 전원공급장치(C 형 카부)가 레이스링 핸들 베이스 내부에 위치

\* \* 220-240V 주전원 공급 케이블

= 220-240V 전원만 사용 가능



220-240V 케이블을 절대 100-130V 전원 콘센트에 연결하지 마십시오!  
이 케이블을 절대 주전원 어댑터에 연결하지 마십시오!

## 경고

본 제품을 사용하기 전에 이 설명서를 주의 깊게 읽고 나중에 필요할 때 참고할 수 있도록 잘 보관하십시오.



### 경고 - 감전

- \* 본 제품은 건조한 곳에 보관해야 하며, 먼지나 태양광선에 노출시키지 마십시오.
- \* 연결 지시사항을 준수하십시오.
- \* 커넥터 및 케이블을 비틀거나 잡아 당기지 마십시오.
- \* 본 제품이나 제품의 커넥터에 액체를 흘리지 마십시오.
- \* 제품을 단락(합선)시키지 마십시오.
- \* 제품을 절대 분해하지 마십시오. 불 속에 제품을 던지지 마십시오. 제품을 고온에 노출시키지 마십시오.
- \* 레이싱 핸들과 함께 제공된 전원 공급 케이블이 아닌 다른 케이블을 사용하지 마십시오.
- \* 주전원 공급 케이블 또는 커넥터가 손상되거나, 갈라지거나 파손된 경우 케이블을 사용하지 마십시오.
- \* 주전원 케이블이 전원 콘센트 및 레이싱 핸들 베이스 뒷면의 커넥터에 올바르게 삽입되었는지 확인하십시오.
- \* 열지 마십시오. 내부에는 사용자가 교체할 수 있는 부품이 없습니다. 제품 서비스는 제조사, 지정 대리점 또는 자격을 갖춘 기술자에게 문의하십시오.
- \* 제조사가 지정한 연결장치/부속품만 사용하십시오.
- \* 핸들이 비정상적으로 작동하면(비정상적인 소리, 열 또는 냄새가 나는 경우), 즉시 사용을 중단하고 소켓에서 전원 케이블을 뽑고, 연결된 다른 케이블들의 연결을 해제하십시오.
- \* 핸들을 장시간 사용하지 않는 경우에는 벽면 소켓에서 주전원 어댑터를 빼십시오.



### 공기 환기

핸들 베이스에 있는 어떠한 공기 환기구도 막지 마십시오. 최적의 환기가 이루어지도록 하려면 다음 사항들을 준수하십시오.

- \* 베이스와 모든 벽면 사이에는 최소 10cm 의 간격을 두십시오.
- \* 좁은 공간에 베이스를 두지 마십시오.
- \* 베이스를 덮지 마십시오.
- \* 공기 환기구에 먼지가 쌓이지 않게 하십시오.



안전한 사용을 위해 페달 세트를 절대 맨발 또는 양말만 신은 상태에서 조작하지 마십시오.

THRUSTMASTER®는 신발 없이 페달 세트를 조작함으로써 발생하는 부상에 대해 어떠한 책임도 지지 않습니다.



## 경고 - 포스 피드백 및 반복적인 움직임으로 인한 부상 위험

포스 피드백(게임 기기에서 충격 또는 진동을 실제로 체감)을 이용해서 게임하는 경우 근육이나 관절의 통증을 가져올 수 있습니다. 이러한 문제를 예방하려면 다음 사항을 준수하십시오.

- \* 장시간 동안 게임하지 마십시오.
- \* 게임 중 한 시간 당 10 ~ 15 분 정도 휴식을 취하십시오.
- \* 손, 손목, 팔, 발, 다리가 피로하거나 통증이 있는 경우 게임을 중단한 후 두 세 시간 쉬었다가 다시 게임을 진행하십시오.
- \* 게임을 다시 시작할 때 위에 설명한 증상이나 통증이 계속되는 경우에는 게임을 중단한 후 의사와 상담하십시오.
- \* 어린이가 접근하지 못하게 하십시오.
- \* 게임 중에는 반드시 양손으로 올바르게 핸들을 잡되, 핸들에서 양손을 모두 놓으면 안 됩니다.
- \* 게임 중에는 양손이나 손가락을 절대 페달 밑에 두거나 페달 세트 근처에 두면 안 됩니다.
- \* 보정 작업 중이나 게임 중에 레이스 핸들의 구멍 속에 손이나 팔을 넣으면 절대로 안 됩니다.
- \* 핸들 베이스가 설명서의 지시대로 잘 조여져 있는지 확인하십시오.

중량 제품



본 기기는 만 16 세 이상의 사용자만 조종해야 합니다.



본 제품을 본인이나 다른 사람에게 떨어뜨리지 않도록 주의하십시오!

반드시 준수



절대 금지



절대 금지





## 경고 - 게임 중 페달 세트에 끼일 위험

- \* 페달 세트에 어린이가 접근하지 못하게 하십시오
- \* 게임 중에 절대 페달 위 또는 근처에 손가락을 놓지 마십시오
- \* 게임 중에 절대 페달의 뒤쪽 베이스 위 또는 근처에 손가락을 놓지 마십시오
- \* 게임 중에 절대 페달의 앞쪽 베이스 위 또는 근처에 손가락을 놓지 마십시오

절대 금지



절대 금지



절대 금지



## 경고 - 게임하지 않을 때 페달 세트에 끼일 위험

- \* 페달 세트는 항상 어린이의 손이 닿지 않는 안전한 장소에 보관하십시오

## FERRARI 458 ITALIA 레이싱 핸들을 베이스에 부착하기

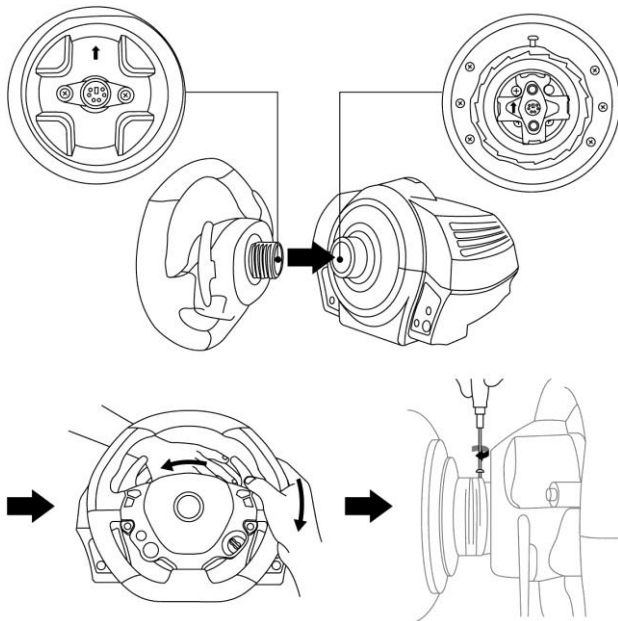
화살표들을 이용해서 커넥터 위치를 맞춥니다

**베이스 (1) 커넥터:** 우쪽을 가리키는 화살표

**레이싱 핸들 (2) 커넥터:** 우쪽을 가리키는 화살표

1. 커넥터들을 정확하게 위치시킨 후 레이싱 핸들 (2) 을 제 위치에 고정시킨 상태에서 Thrustmaster (트라스티마스터) 퀵 릴리즈 (12) 장치의 링을 시계 반대 방향으로 돌리면 됩니다

2. 그 다음에 링을 최대한 조입니다. 링을 최대한 조려면 링을 제 위치에 고정시킨 상태에서 레이싱 핸들을 시계 방향으로 돌립니다



FERRARI 458 ITALIA 레이싱 핸들을 장착한 후에는 Thrustmaster 퀵 릴리즈 장치 (12)에 있는 소형 부착 나사에 손이 닿을 수 있도록 핸들을 180° 회전시켜주세요(핸들을 마주봤을 때 FERRARI 로고의 위리가 두집힌 상태)이어야 합니다. 대형 삽자 드라이버로 소형 부착 나사를 시계 방향으로 돌려 조입니다(무리한 힘을 가하지 마십시오).



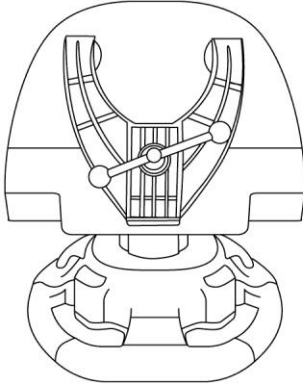
(삽자 드라이버를 이용해서) 소형 부착 나사를 조일 때 무리한 힘을 가하지 마십시오!  
무언가 닿은 느낌이 있으면 즉시 나사 돌기를 멈추십시오

# 레이싱 핸들 부착하기

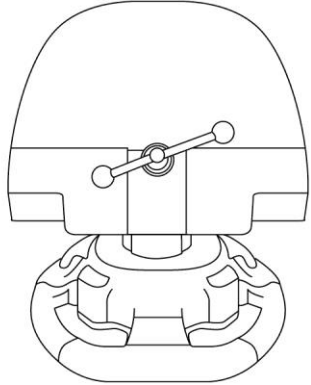
## 테이블이나 책상에 레이싱 핸들 부착하기

1. 레이싱 핸들을 테이블 또는 수평 상태의 평평하고 안정된 표면 위에 놓습니다.
2. 조임 나사 (11)를 부착 시스템 (10)에 삽입한 후, 나사를 시계 반대 방향으로 돌려서 기기를 조입니다. 이때 나사는 기기가 완전히 고정될 때까지 레이싱 핸들 밑에 있는 대형 나사 구멍 (9)에 끼워서 삽입합니다.

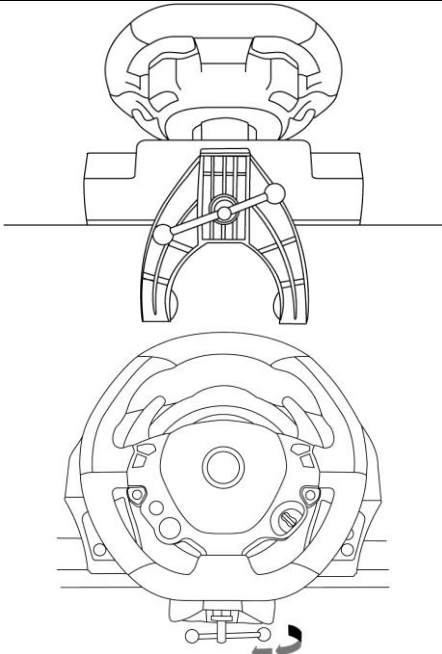
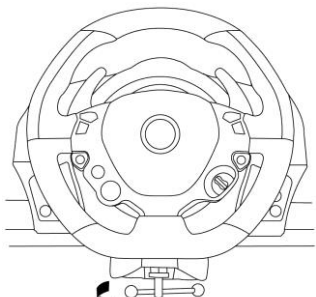
반드시 준수



절대 금지



**경고: 부착 시스템 없이 절대로 나사만 조이지 마십시오.  
(나사만 조이면 레이싱 핸들이 파손될 수 있습니다).**

부착/제거	방향
<p><b>조이기:</b> 나사를 시계 반대 방향으로 돌립니다</p>	
<p><b>풀기:</b> 나사를 시계 방향으로 돌립니다</p>	



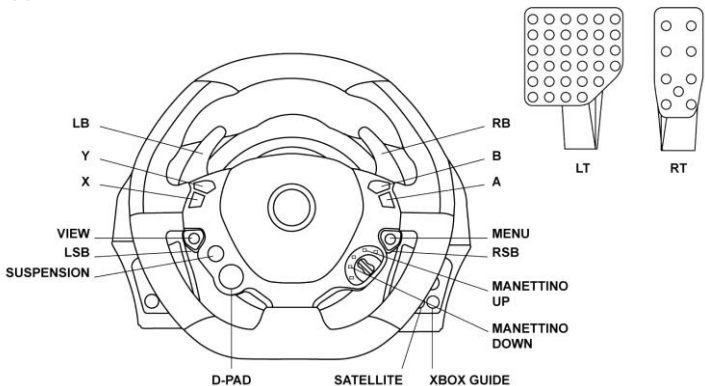
## 레이싱 핸들 베이스를 조종석에 부착하기

1. 레이싱 핸들 베이스를 조종석 선반에 놓습니다.
2. 조종석 선반을 통해 2 개의 M6 나사(제품에 포함되지 않음)를 밀어넣은 후 레이싱 핸들 밑에 있는 2 개의 소형 나사 구멍 속에 삽입합니다.  
*중요: 나사의 길이가 선반 두께 + 12mm 를 초과하면 레이싱 핸들 베이스에 장착된 내부 부품을 파손시킬 수 있으므로 선반 두께 + 12mm를 초과하면 안 됩니다.*
3. 필요한 경우 조임 나사를 대형 나사 구멍에 끼워서 표준형 부착 시스템을 조이십시오.

## 페달 세트를 조종석에 부착하기

1. 페달 세트 밑에 있는 소형 나사 구멍을 이용해서 페달 세트를 부착합니다.
2. 조종석 선반을 통해 2개의 M6 나사(제품에 포함되지 않음)를 밀어넣은 후 페달 세트 밑에 있는 2개의 소형 나사 구멍 속에 삽입합니다.  
*중요: 나사의 길이가 선반 두께 + 10 mm 를 초과하면 페달 세트에 장착된 내부 부품을 파손시킬 수 있으므로 선반 두께 + 12mm 를 초과하면 안 됩니다.*

## 매핑



Xbox One 제품 출시 당시 선보인 핸들의 다양한 동작 버튼은 게임에서도 동일한 기능입니다.

가까운 시일 내에 게임 자동 업데이트(콘솔이 인터넷에 연결된 경우 자동 업데이트 가능) 및 레이싱 핸들 펌웨어 자동 업데이트를 통해 이들 중복 기능을 없애고 개별 버튼의 수도 늘릴 것입니다.

## 레이싱 핸들 펌웨어 업그레이드

레이싱 핸들 베이스에 포함된 펌웨어는 제품을 개선시킨 최신 버전으로 업그레이드할 수 있습니다.

레이싱 핸들이 현재 사용 중인 펌웨어 버전을 표시하고 필요한 경우 버전을 업데이트 하려면 PC에서 다음 사이트에 연결합니다. <http://support.thrustmaster.com>. 스티어링 핸들/TX Racing Wheel 클릭한 후 펌웨어 를 선택하고 다운로드 및 설정 절차를 설명하는 지시사항을 따르십시오.

### XBOX ONE용 레이싱 핸들 설정

1. 페달 세트를 레이싱 핸들 베이스에 있는 커넥터(17) 에 연결합니다.
2. 전원 공급 케이블을 레이싱 핸들 베이스에 있는 커넥터(14) 에 연결합니다.
3. 전원 공급 케이블을 올바른 전압을 공급하는 전원 콘센트에 연결합니다.



**이제 대한 자세한 내용은 이 사용설명서 3 페이지의 '주전원에 레이싱 핸들 연결하기' 부분을 참조하십시오**

4. 레이싱 핸들의 USB 커넥터 (15) 를 USB 포트의 콘솔 중 하나에 연결합니다.  
**이제 레이싱 준비가 되었습니다!**

### 레이싱 핸들 및 페달 세트 자동 보정

레이싱 핸들을 주전원에 연결하고 레이싱 핸들의 USB 커넥터를 콘솔에 연결하면 레이싱 핸들은 자동으로 자가보정됩니다.

이 과정에서 레이싱 핸들은 왼쪽에서 오른쪽으로 신속하게 회전하여 90 도 각도를 커버한 후 중앙에서 멈춥니다.



**경고**

**자가보정 하는 동안 절대 레이싱 핸들을 건드리지 마십시오!  
(핸들을 건드리면 부정확한 보정 및/또는 부상이 발생할 수 있습니다).**

### 페달 세트 자동 보정

페달 세트가 콘솔에 연결되어 있는 경우 또는 게임 중인 경우에는 페달 세트를 절대로 레이싱 핸들 베이스에 연결하지 (또는 페달 세트를 베이스에서 분리하지) 마십시오(이로 인해 보정이 잘못될 수 있습니다).

레이싱 핸들을 콘솔에 연결하기 전에 반드시 페달 세트를 연결하십시오.

레이싱 핸들의 보정이 완료된 후 게임이 시작된 후, 페달을 몇 번 누르면 자동으로 페달이 보정됩니다.



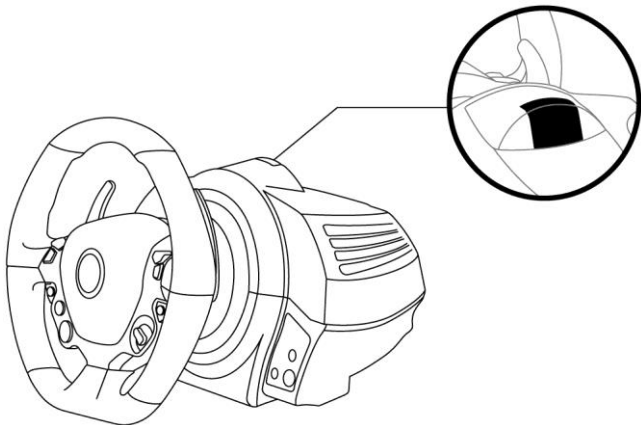
### 경고

레이싱 핸들이 자가보정 중이거나 게임을 로드하는 중에는 절대로 페달을 누르지  
마십시오 (이로 인해 보정이 잘못될 수 있습니다)

레이싱 핸들과 페달 세트가 올바르게 작동하지 않거나 보정이 잘못된 것으로 생각되는 경우:  
콘솔을 끄고 레이싱 핸들 전체의 연결을 해제했다가, (주전원 공급 케이블과 페달  
세트를 이용해서) 모든 케이블을 다시 연결한 후 콘솔과 게임을 다시 시작하십시오

### 컨트롤러 페어링 (13)

레이싱 핸들을 올바르게 탐지하려면 기기의 컨트롤러 페어링 (레이싱 핸들 베이스의 우측  
부분에 있음) 이 반드시 KINECT™ 카메라의 시야각 내에 있어야 합니다



### 내부 온도 센서

안전한 사용을 위해 레이싱 핸들 베이스에는 온도 센서가 부착되어 있습니다.  
기기의 온도가 너무 높아지면 레이싱 핸들이 갑자기 정지할 수 있습니다.  
이 경우 다음과 같이 조치하십시오:

- 주전원 공급 케이블과 기기의 USB 커넥터를 뽑으십시오
- 레이싱 핸들 베이스가 완전히 식을 때까지 기다리십시오
- 그 다음에 기기를 다시 연결하십시오

## MODE 버튼 및 표시등 (6)

### 페달 세트 MODE (모드) 버튼

TX 레이싱 핸들에 포함된 페달 세트에는 2 개의 페달이 있습니다. 이 페달 세트를 이용하는 경우에는 표시등이 빨강색으로 점등되어 있어야 하며, 그렇지 않은 경우 가속 페달이 올바르게 작동하지 않습니다.

TX 레이싱 핸들은 3 개의 페달로 구성된 Thrustmaster (트러스트마스터) 페달 세트(별도 판매 곧 출시)와도 호환되며, 이들 페달을 이용해서 액셀 페달과 클러치 페달을 전자적으로 교대할 수 있습니다. 전자적으로 교대하려면 MODE (모드) 버튼 (6) 을 2 초 동안 누르기만 하면 됩니다. 레이싱 핸들의 내부 메모리에는 페달이 교대되었는지 여부가 저장됩니다.

액셀 페달 및 클러치 페달	MODE 표시등 (6) 색상
정상	적색
교대 시	녹색

### MODE (모드) 버튼에 대한 다른 도움말

MODE 버튼 및 표시등에 대한 더 자세한 내용은 <http://support.thrustmaster.com>에서 확인할 수 있습니다.

스티어링 핸들/TX Racing Wheel 을 클릭후매뉴얼/자주 묻는 질문 선택하십시오.

### 도움말 파일 및 자주 묻는 질문(이 설명서에는 포함되지 않음)

웹사이트 <http://support.thrustmaster.com>으로 이동하십시오. 스티어링 핸들/TX Racing Wheel을 클릭후매뉴얼/자주 묻는 질문 선택하십시오..

## COPYRIGHT

© 2017 Guillemot Corporation S.A. 모든 권리 보유. Thrustmaster®는 Guillemot Corporation S.A. 의 등록상표입니다. Ferrari®는 Ferrari Idea S.p.A. 의 등록상표입니다. 다른 모든 상표는 해당 소유자의 재산입니다. 도면은 법적 구속력이 없습니다. 설명서의 내용, 설계 및 사양은 예고 없이 변경될 수 있으며, 나라마다 서로 다를 수 있습니다. 제조국: 중국

본 제품은 만 16 세 이상의 청소년과 관련된 모든 표준을 준수합니다. 본 제품은 만 16 세 미만의 아동이 사용하기에 적합하지 않습니다.

[www.thrustmaster.com](http://www.thrustmaster.com)



**THRUSTMASTER®**

기술 지원

<http://support.thrustmaster.com>

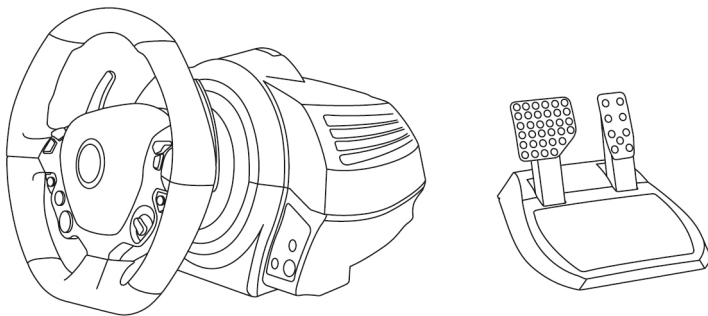


# TX Racing Wheel

FERRARI 458 ITALIA EDITION

FOR XBOX ONE®

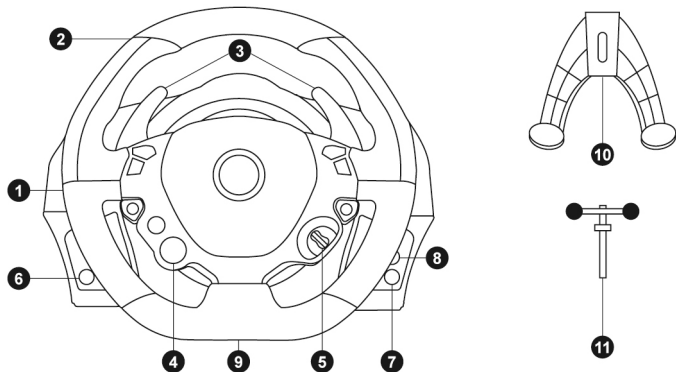
User Manual



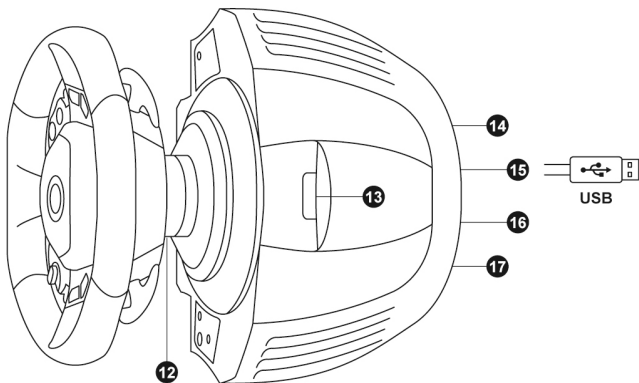
**WARNING:**

To ensure that your TX Racing Wheel functions correctly with games for XBOX ONE, you may be required to install the games' automatic updates (available when your games console is connected to the Internet).

## TECHNICAL SPECIFICATIONS



- |  |  |
|--|--|
| 1 Racing wheel base                          | 7 Xbox Guide button  |
| 2 Racing wheel                               | 8 White indicator light  |
| 3 2 sequential gear shift levers (Up & Down) | 9 Large threaded hole (for attachment system and tightening screw) |
| 4 Multidirectional D-Pad (Engine Start)      | 10 Attachment system   |
| 5 Manettino (2 positions)                    | 11 Metal fastening screw   |
| 6 MODE button + Red/Green indicator light    |  |



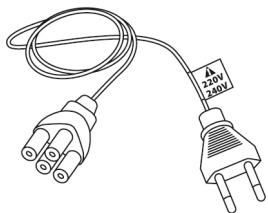
- |  |   |
|--|---|
| 12 Thrustmaster Quick Release  | 15 Racing wheel USB cable and connector                               |
| 13 Controller pairing (for Kinect™ detection)  | 16 Gearbox connector<br><i>(sold separately, forthcoming release)</i> |
| 14 Mains supply connector (type A or B)<br><i>(Varies from one country to another)</i> | 17 Pedal set connector  |

## CONNECTING THE RACING WHEEL TO THE MAINS = PLEASE READ BEFORE PROCEEDING!

Your racing wheel's power supply varies according to the country where you purchased your device.  
In Korea, the power supply is:

### Internal with:

- \* a power supply unit located directly inside the racing wheel's base, with a type C connector.
- \* a 220-240 V power supply cable.
- = compatible only with 220-240 V electrical power.



**Never connect the 220-240 V cable to a 100-130 V electrical outlet!!!  
Never connect this cable to a power adapter!!!**



## WARNINGS

Before you use this product, please read this documentation carefully and keep it safe should you need to consult it later.



### **Warning – Electric shock**

- \* Store the product in a dry location and do not expose it to dust or sunlight.
- \* Respect the connection direction.
- \* Do not twist or pull the connectors and cables.
- \* Do not spill any liquid on the product or its connectors.
- \* Do not short-circuit the product.
- \* Never dismantle the product; do not throw it onto a fire and do not expose it to high temperatures.
- \* Do not use a power supply cable other than the one provided with your racing wheel.
- \* Do not use the mains power supply cable if the cable or the connectors are damaged, split or broken.
- \* Make sure that the mains power cable is properly inserted into the power outlet and the connector located on the rear face of the racing wheel's base.
- \* Do not open. No user replaceable parts inside. Refer servicing to manufacturer, specified agency or qualified technician.
- \* Only use attachments/accessories specified by the manufacturer.
- \* If the steering wheel is operating unusually (if it is emitting any abnormal sounds, heat or odors), stop using it immediately, disconnect the power cable from the socket and disconnect the other cables.
- \* If you are not going to be using the steering wheel for an extended period, disconnect the mains adaptor from the wall socket.



### **Air vents**

Make sure that you do not block any of the air vents on the steering wheel base. For optimum ventilation, respect the points below:

- \* Position the base at least 10 cm away from any wall surfaces.
- \* Do not place the base in any tight spaces.
- \* Do not cover the base.
- \* Do not let any dust build up on the air vents.



**For safety reasons, never use the pedal set with bare feet or while wearing only socks on your feet.**

**THRUSTMASTER® DISCLAIMS ALL RESPONSIBILITY IN THE EVENT OF INJURY RESULTING FROM USE OF THE PEDAL SET WITHOUT SHOES.**



### **Warning – Injuries due to force feedback and repeated movements**

Playing with a force-feedback steering wheel may cause muscle or joint pain. To avoid any problems:

- \* Avoid lengthy gaming periods.
- \* Take 10 to 15 minute breaks after each hour of play.
- \* If you feel any fatigue or pain in your hands, wrists, arms, feet or legs, stop playing and rest for a few hours before you start playing again.



**Warning – Injuries due to force feedback and repeated movements (continued)**

- \* If the symptoms or pain indicated above persist when you start playing again, stop playing and consult your doctor.
- \* Keep out of children's reach.
- \* During games, always leave both hands correctly positioned on the steering wheel without letting it go completely.
- \* During gameplay, never place your hands or your fingers under the pedals or anywhere near the pedal set.
- \* During calibration and gameplay, never place your hand or your arm through the openings in the racing wheel.
- \* Check the steering wheel base is carefully clamped as per manual's instructions.

**HEAVY PRODUCT**



To be handled only by users  
16 years of age or older



Be careful not to drop the product on  
yourself or on anyone else!

**ALWAYS**



**NEVER**



**NEVER**





**Warning – Pedal set pinch hazard when playing**

- \* Keep the pedal set out of children's reach.
- \* When playing, never place your fingers on or anywhere near the sides of the pedals.
- \* When playing, never leave your fingers on or anywhere near the pedals' rear base.
- \* When playing, never place your fingers on or anywhere near the pedals' front base.

**NEVER**



**NEVER**



**NEVER**



**Warning – Pedal set pinch hazard when not playing**

- \* Store the pedal set in a safe place, and keep it out of children's reach.

## ATTACHING THE FERRARI 458 ITALIA RACING WHEEL TO ITS BASE

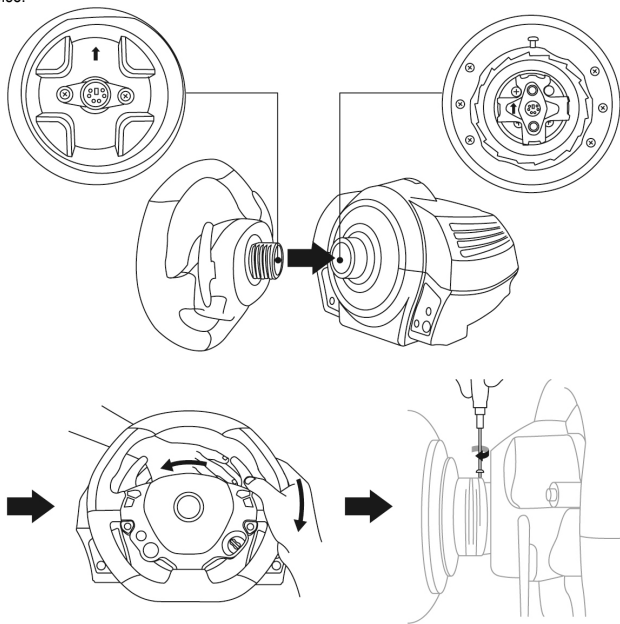
Align the connector locations using the arrows:

**Base (1) connector:** Arrow pointing upwards

**Racing wheel (2) connector:** Arrow pointing upwards

Once the connectors are correctly positioned, simply rotate the Thrustmaster Quick Release (12) device's ring counterclockwise, while holding the racing wheel (2) in position.

Then, tighten the ring as much as you can; to do so, hold the ring in position and rotate the racing wheel clockwise.



Once you have installed the FERRARI 458 ITALIA racing wheel, rotate it 180° (when facing the wheel, the FERRARI logo should be upside down) to access the small attachment screw located on the Thrustmaster Quick Release (12) device. Use a large cross-slot screwdriver to tighten the small attachment screw (do not use excessive force), turning it clockwise.



**Do not use excessive force when screwing the small attachment screw (using a cross-slot screwdriver)!**

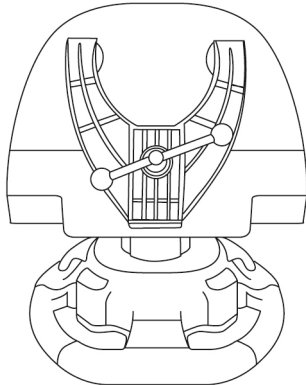
**Stop turning the screw as soon as you feel some resistance.**

## ATTACHING THE RACING WHEEL

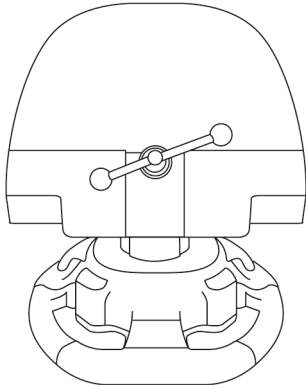
### Attaching the racing wheel to a table or a desktop

1. Place the racing wheel on a table or any other horizontal, flat and stable surface.
2. Insert the fastening screw (11) in the attachment system (10), then tighten the device by turning the screw counterclockwise, so that it feeds into the large threaded hole (9) located beneath the racing wheel, until the device is perfectly stable.

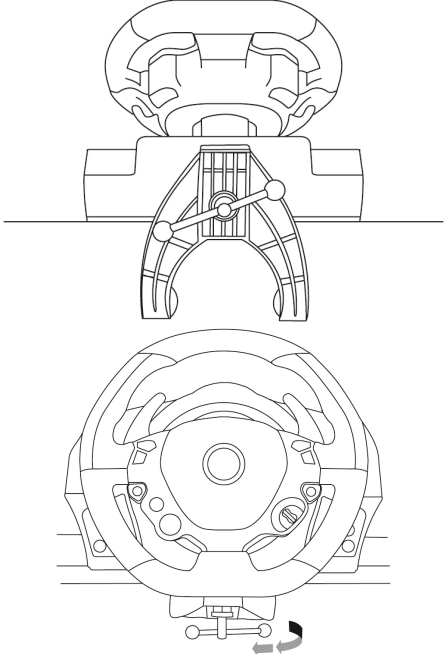
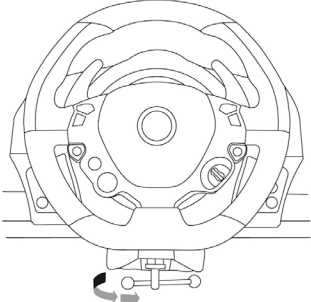
**ALWAYS**



**NEVER**



**WARNING:** Never tighten the screw alone, without the attachment system!  
(This could damage the racing wheel).

ATTACHMENT / REMOVAL	DIRECTION
<p><b><u>To tighten:</u></b></p> <p><i>Turn the screw counterclockwise</i></p>	
<p><b><u>To release:</u></b></p> <p><i>Turn the screw clockwise</i></p>	

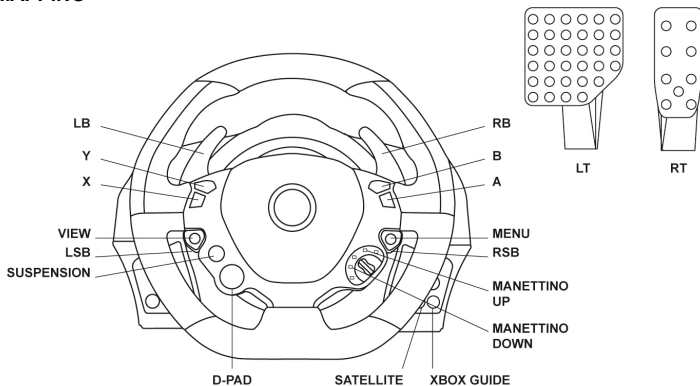
## Attaching the racing wheel's base to a cockpit

1. Place the racing wheel's base on the cockpit shelf.
2. Drive two M6 screws (not included) through the cockpit shelf, then feed them into the two small threaded holes located beneath the racing wheel.  
*Important: The length of the M6 screws should not exceed the thickness of the shelf + 12 mm; longer screws could cause damage to internal components located in the racing wheel's base.*
3. If required, tighten the standard attachment system by inserting the fastening screw in the large threaded hole.

## Attaching the pedal set to a cockpit

1. Attach the pedal set using the small threaded holes located beneath it.
2. Drive two M6 screws (not included) through the cockpit shelf, then feed them into the two small threaded holes located beneath the pedal set.  
*Important: The length of the M6 screws should not exceed the thickness of the shelf + 10 mm; longer screws could cause damage to internal components located in the pedal set.*

## MAPPING



At product launch on Xbox One, different action buttons on the wheel will have identical features in the game.

In the near future, automatically updating your games (automatic updates will be available if your console is connected to the Internet) and updating your racing wheel's firmware will enable you to remove these duplicate features and increase the number of individual buttons.

## UPGRADING YOUR RACING WHEEL'S FIRMWARE

The firmware included in your racing wheel's base can be upgraded to a more recent version featuring product enhancements.

To display the firmware version that your racing wheel is currently running and upgrade it if required: on PC, connect to <http://support.thrustmaster.com>. Click **Racing Wheels / TX Racing Wheel**, then select **Firmware** and follow the instructions describing the download and setup procedure.

## SETTING UP THE RACING WHEEL FOR THE XBOX ONE

1. Connect the pedal set to the connector (17) located at the back of the racing wheel's base.
2. Connect the power supply cable to the connector (14) located at the back of the racing wheel's base.
3. Connect the power supply cable to a mains outlet with proper voltage specifications.



**For more information about this, please refer to the CONNECTING THE RACING WHEEL TO THE MAINS section, on page 3 in this manual.**

4. Connect the racing wheel's USB connector (15) to one of the console's USB ports.

**You are now ready to race!**

## AUTOMATIC RACING WHEEL AND PEDAL SET CALIBRATION

The racing wheel automatically self-calibrates when you connect the racing wheel to the mains and the racing wheel's USB connector to the console.

During this phase, the racing wheel will rotate quickly towards the left and the right, covering a 900 degree angle, before stopping at the center.



### **WARNING:**

**Never touch the racing wheel during the self-calibration phase!**  
*(This could cause an incorrect calibration and/or personal injuries).*

## AUTOMATIC CALIBRATION OF THE PEDAL SET

Never connect the pedal set to the racing wheel's base (or disconnect it from the base) when it is connected to the console or during gameplay (this could cause incorrect calibration).

Always connect the pedal set before connecting the racing wheel to the console.

Once the racing wheel's calibration is done and the game has been launched, the pedals are automatically calibrated after a few presses.



### **WARNING:**

**Never press the pedals**  
**during the racing wheel's self-calibration phase or while a game is loading!**  
*(This could cause incorrect calibration)*

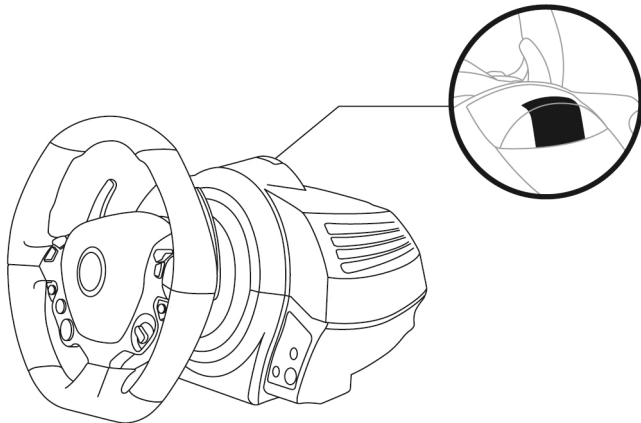


**If your racing wheel and pedal set do not operate correctly, or if calibration seems incorrect:**

Turn off your console, disconnect your racing wheel entirely, reconnect all cables (using the mains power supply cable and pedal set), then restart your console and your game.

## **CONTROLLER PAIRING (13)**

To ensure correct detection of your racing wheel, the device's controller pairing (located on the upper section of the racing wheel's base) must always remain in the KINECT™ camera's field of vision.



## **INTERNAL TEMPERATURE SENSOR**

For safety reasons, the racing wheel's base features a temperature sensor.

If the device's temperature becomes too high, your racing wheel can shut down suddenly.

In this event:

- Unplug the mains power supply cable and the device's USB connector.
- Wait for the racing wheel's base to cool down entirely.
- Then, reconnect the device.

## MODE BUTTON AND INDICATOR LIGHT (6)

### MODE button for the pedal set

The pedal set included with the TX Racing Wheel features 2 pedals.

When using this pedal set, make sure that the indicator light remains red, or the accelerator pedal will not function correctly.

The TX Racing Wheel is also compatible with Thrustmaster pedal sets featuring 3 pedals (*sold separately; forthcoming release*); these enable you to electronically swap the accelerator and clutch pedals.

To do so, simply press the MODE button (6) for 2 seconds.

The racing wheel's internal memory stores whether the pedals have been swapped around or not.

ACCELERATOR AND CLUTCH PEDALS	Color of the MODE indicator light (6)
NORMAL	RED
SWAPPED AROUND	GREEN

### Other hints for the MODE button

To learn more about the MODE button and indicator light, please visit <http://support.thrustmaster.com>. Click **Racing Wheels / TMX Force Feedback**, then select **Manual** or **FAQ**.

### HELP FILES AND FAQs (not stated in this manual)

Please visit <http://support.thrustmaster.com>, click **Racing Wheels / TMX Force Feedback**, then select **Manual** or **FAQ**.

## COPYRIGHT

© 2017 Guillemot Corporation S.A. All rights reserved. Thrustmaster® is a registered trademark of Guillemot Corporation S.A. Ferrari® is a registered trademark of Ferrari Idea S.p.A. All other trademarks are the property of their respective owners. Illustrations not binding. Contents, designs and specifications are subject to change without notice and may vary from one country to another. Made in China.

This product conforms to all standards regarding children 16 years of age and older. This product is not suitable for use by children less than 16 years of age.

[www.thrustmaster.com](http://www.thrustmaster.com)

